

\* All rights reserved  
\* KIN LONG reserves the right to modify the catalogues and products.  
If there is change, sorry for no notice.  
\* Print May,2023.

KINLONG

**KIN LONG**  
*For Better Living*

## Door Control Hardware Typical Product Catalogue



Door Control Hardware  
Typical Product Catalogue



**Guangdong Kinlong Hardware Products Co., Ltd.**

**No.3, Jian Lang Rd., Tangxia Town, Dongguan City, china.**

T : 0086-769-82166666 82136666  
F : 0086-769-82955240 82955241  
E : mail@kinlong.com  
H : www.kinlong.com

www.kinlong.com

STOCK CODE: 002791

TO IMPROVE THE HUMAN  
BEING'S LIVING CONDITIONS AND  
MAKE KINLONG THE SYNONYM  
FOR HIGH-QUALITY.

More than **700,000** m<sup>2</sup>  
production area.

More than **60** subsidiaries.

More than **1000** sales offices both  
in domestic and overseas .

More than **16,000** employees.

## ESTABLISHING BENCHMARK AND PURSUING EXCELLENCE

Kinlong was established in 2003 and is a company engaged in design and research, manufacturing and sales of construction and building products. We are committed to provide high-quality products and services. After years of development, Kinlong has become a reputable brand in the construction industry.

Kinlong industrial park has an area of more than 700,000 square meters and has an employment of more than 16000 staff. Kinlong owns more than 60 subsidiaries, and with over 1000 sales branches in the domestic and overseas markets. The company has more than 20,000 categories of products, which has been sold to more than 100 countries and areas. Kinlong, with its sophisticated production management, provides customers with integrated solutions for different functional buildings.

Focusing on providing integrated construction and building accessories and diversified products, Kinlong continues to meet customer needs and market changes with the sales model of "R&D + manufacturing + service", and sets up its own marketing networks to directly provide customers with products and technical services. With years of precipitation and accumulation, Kinlong is at the forefront of the industry.

Over the years, Kinlong has been embracing the philosophy of "Unique value is created by professionalism, but no future shall be created by speculation". This has made Kinlong standing on the leading position in construction hardware market. Kinlong has provided products and services for many famous buildings around the world, and the landmark buildings of countless cities have become the pride and glory of Kinlong people.

To every designer, engineer and company committed in construction industry, Kinlong is always the most trustworthy and reliable partner.

### Social Responsibility



For more than ten years, Kinlong has not forgotten to give back to the society while developing itself. By the end of 2022, more than 90 kinlong social charity schools have been donated and built in remote and backward areas.



# INNOVATION AND ENTERPRISING INDUSTRY BENCHMARK

KINLONG KEEPS MAKING PROGRESS BY INNOVATION, BY WHICH WE HAVE OBTAINED RECOGNITION AND HIGH PRAISE FROM STATE DEPARTMENTS, GOVERNMENT UNITS AND SECTORS .



## ENTERPRISE REPRESENTATIVE HONOR

Second Prize in National Science and Technology Progress Award

First Prize in Huaxia Construction Science and Technology Award

Second Prize in Huaxia Construction Science and Technology Award

Special Prize in China Steel Structure Association Science and Technology Award

First Prize in China Steel Structure Association Science and Technology Award

Innovation Award in China Steel Structure Association Science and Technology Award

The most influential brand of Jinxuan Award in the construction door, window and curtain wall industry for four consecutive sessions;

2021 TOP500 Preferred Supplier of Comprehensive Strength of Chinese Real Estate Development Enterprises-Smart Community Service Category

National High-Tech Enterprise

.....

## REPRESENTATIVE R&D INNOVATION HONOR

National Intellectual Property Demonstration Enterprise

Laboratory center approved by the National Accreditation Board

Guangdong Provincial Enterprise Technology

Center and Provincial Engineering Center

.....

Kinlong adheres to the philosophy that Unique value can only be created by professionalism, speculation has no future. Our enterprise core value is to respect Respecting science; Striving for coexistence and all-win; Promoting constant innovation; Pursuing sincerity and trustworthiness. and we always insist making innovation, breaking through and making progress, increasing our capacity of research, by which we have obtained recognition and praise from government departments, units and all areas in the society and get many achievements. We pay great attention to the needs from our customers and the prospect of our industry, consistently pursuing perfect, good quality, excellent service and systematic solutions. Our quick and accurate ability of handing over are always leading the market.

KINLONG IS LEADING THE MARKET BY GOOD QUALITY, EXCELLENT SERVICE, SYSTEMATIC SOLUTIONS AND QUICK AND ACCURATE ABILITY TO DELIVER THE GOODS.



## To Form a Full-chain Comprehensive Advantage



## Quality Comes from Profession



Management system certified by ISO 9001, ISO 14001 of BSI. Test Laboratory accredited by the China National Accreditation Service of Conformity Assessment (CNAS).

## International Supply Chain to Guarantee Better and Better Service



Kinlong utilizes more than 1000 sales-services at home and abroad, with a sales team of more than 6,000 people to provide customers with rapid response. With 31 offices, 9 subsidiaries, 13 warehouses overseas market, and more will come.

**1000** patents, among them

**100** of invention patents.

Participate **200** industrial standards compile.

**600** registered trade mark

# Specification of the Product Code Change

## 一、Specification

### 1. Purpose

The product code is based on the product attribute, to make code numbers standard, scientific, unique, coordinate, practical and expansible.

### 2. Application scope

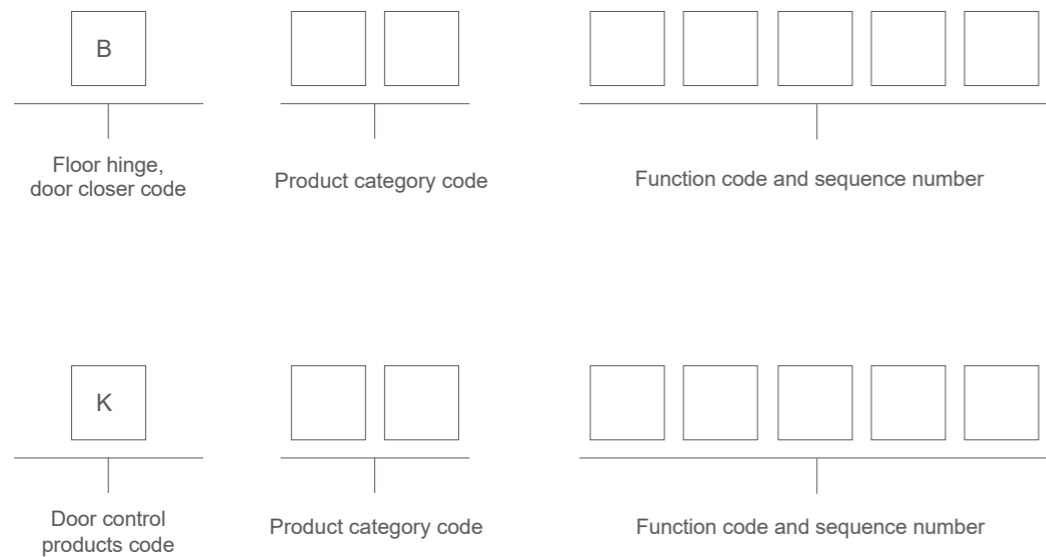
It is suitable for all of the products in this catalogue.

## 二、Rules

- Code number has 8 digits, 3 digits + 5 digits pattern.
- First 3 digits are characters; last 5 digits are all numbers or number + character.
- The total number of special product Numbers is 9 digits.

## 三、Principle

- The first letter of the product of floor hinge and door closer is "B".
- The first letter of the door control product is "K".
- Classification of all products is according to the characteristics of door type, bearing weight, product style and function.



## Check List for New and Old Code Number

No.	Product category	New Name	Old Name	New Code.	Old Code.
1	Floor Hinge	Floor hinge	Floor Hinge	BDH	HD/HDF
		Floor hinge accessories	Floor Hinge Accessories	BDP	DS/DX/DY
2	Door Closer	Door closer	Door closer	BBM	YB/B/BZ
		Door closer accessories	Door Closer Accessories	BBP	BZJ
3	Glass Patch for Doors	Door patch series 100Kg series	—	KMJ	—
		Door patch series 100Kg series	Short Patch/Bending Patch /Bracket Y500		M/YM/Y
		Door patch series 130Kg series	Short Patch/BracketY400/Y800		Y
		Door patch series 150Kg series	Medium-sized Patch		M
		Door patch series 180Kg series	BracketY900		Y
		Door patch series 200Kg series	Heavy Patch/Bending Patch		FM/YM
		Long door patch series 130Kg series	Standard Long Patch		CM/CMS
		Long door patch series 150Kg series	Standard Long Patch		CM/CMS
		Long door patch series 200Kg series	Widened Long Patch		CM/CMS
		Fixed Patch Fitting 40Kgseries	—		—
Fixed Patch Fitting 50Kgseries	—	—			
4	Door Lock	Glass door lock	Glass Door Lock/Lock Patch/ Sliding Door Lock	KMS	BS/S/YMS
		Profile door lock	Center Lock for Profile Doors/ Ground Lock		XS/DS
5	Door Hinge	Eccentric door spindle	Door Spindle/Pivot Hinge		XP/DZ
		Glass door hinge	Glass Door Hinge		JL
6	Auxiliary Accessories	Glass door latch	Glass Door Latch	KFJ	BCX
		with frame latch	Latch		CX
7	Door Handle	Stainless steel handle(Big)	Handle	KLS	LS
		Handle with lock	Handle with Lock		LSS
		Stainless steel handle(Small)	—		—
		Concealed handle	Sliding Door Handle		TLG/TL
8	Sliding door system	Sliding door series	sliding door accessories	KYN/KYW	—
		Buffer sliding door series	buffer sliding door accessories	KYN	—
		Buffer linkage sliding door series	Buffer Linkage door	KYN	KYL
9	Folding door system	Wooden folding door series	—	KZD	—
		Glass folding door series	Side Suspension / Middle Suspension		ZDM
10	Active partition system	Glass movable partition series	Active partition system	KHD	—
11	smart door control system	Magnetic lock series	Magnetic lock	KDS	CS/CSL
		Electromagnetic door suction series	Electromagnetic door suction	KDX	MX
		Access control machine series	Card Reader	KDM	DK
		Switch series	Switch	KDK	KG
		Auxiliary accessories series	Bracket/ Power Controller	KDF	ZJ/PCS

Company Profile .....	A
Awards and Honors .....	B
Products Code Specification .....	C

01

Floor Hinge

Floor Hinge List .....	02
Electric floor hinge series .....	09
Floor Hinge series .....	17
Special for insulation profile series .....	57
Special for circular tube profile series .....	58
Safety chain (selective accessories) .....	59
Three parts cushion block (optional) .....	60
Configuration comparison table of standard accessories floor hinge .....	61

02

Door Closer

Door Closer List .....	63
Electric door closer series .....	68
American standard door closer series .....	101
Fire door closer series .....	107
European standard & Construction standard door closer series .....	117

03

Glass Door Patch

Glass Door Patch List .....	146
KMJ443/443A Series Patch 100Kg .....	147
KMJ112/113/123 Series Patch 100Kg .....	149
KMJ114 Series Patch130Kg .....	159
KMJ115 Series Patch 150Kg .....	160
KMJ117/118 Series Patch 200Kg .....	163
KMJ333 Series Bracket 100Kg .....	167
KMJ344/354 Series Bracket 130Kg .....	168
KMJ214 Series Long Patch 130Kg .....	171
KMJ215 Series Long Patch 150Kg .....	173
KMJ217 Series Long Patch 200Kg .....	175
M8 Series Fixed Patch Fitting 40Kg .....	177
M7/8 Series Fixed Patch Fitting 50Kg .....	178
M41A Lock patch .....	182

04

Door Lock

KMS100 Series Glass Door Lock .....	184
KMS211 Series Glass Door Lock .....	185
KMS122 Series Glass Door Lock .....	187
KMS210/KMS212 Series Glass Door Lock .....	188
KMS300 Series Glass Door Lock .....	190
KMS130 Series Glass Door Lock .....	191
KMS400 Series Glass Door Lock .....	193
KMS500/600 Series Profile Door Lock .....	195

05

Door Hinge

KHY100 Series Glass Door Hinge .....	20
KHY500 Series Pivot Hinge .....	201

06

Auxiliary Accessories

KFJ100 Series Glass Door Latch .....	204
KFJ500 Series Frame Door Latch .....	206

07

Door Handle

KLS100 Series Centric Handle .....	210
KLS200 Series Eccentric Handle .....	215
KLS400 Series Winding-pipe Handle .....	226
KLS900 Series Special Handle .....	232
KLS100/400 Series Small Handle .....	235
KLS900 Series Concealed Handle & Sliding Door Handle .....	240

08

Sliding door system

Aluminum narrow frame linkage sliding door series .....	244
Glass sliding door series .....	272
Concealed glass sliding door series .....	261
Wood/MetalFrame buffer sliding door series .....	292
Wooden/Metal frame sliding door series .....	302
Wooden/Metal frame buffer sliding door series .....	318
Barn door series .....	328
Supporting products/ Hanging rail series .....	336
Hanging rail list .....	340

09

Folding door system

Glass folding door series .....	351
Wooden folding door series .....	359

10

Movable partition system

Glass movable partition system .....	363
--------------------------------------	-----

11

Smart door control system

Magnetic lock series .....	367
Electromagnetic door suction series .....	368
Door access control machine series .....	369
Auxiliary accessories series .....	370
Switch series .....	370

12

Typical Projects

Residential .....	371
Hotel Project .....	371
Metro/High-speed Rail .....	371
Airport .....	372
Office Building .....	372
Large-scale Public Building Project .....	372

# 01

## Floor Hinge



### Floor Hinge List

Diagram	Product code	Positioning type	Door width	Maximum Loading	Life cycle	Speed control	page
	BDH80116	Remote control 90° positioning	650~1200mm	150Kg	>1000,000 Cycles	Adjustable	P9
	BDH80216	Remote control 90° positioning	650~1200mm	150Kg	>1000,000 Cycles	Adjustable	P11
	HD101/HDF101	90°/Non-hold	650~1050mm	100Kg	>500,000 Cycles	One speed section	P17
	HD102/BDH10305(New)	90°/Non-hold	650~900mm	90Kg	>300,000 Cycles	One speed section	P19
	BDH10214(New)	90°hold	650~900mm	85kg	>500,000 Cycles	Two speed section	P21
	HD103/BDH10003	90°/Non-hold	600~950mm	65Kg	>300,000 Cycles	One speed section	P23
	HD201/BDH20505(New)	90°/Non-hold	650~1050mm	90Kg	>500,000 Cycles	Two speed section	P25
	BDH20216	90°hold	650~750mm(Unilateral)	150Kg	>500,000 Cycles	Two speed section	P27
	BDH20314/BDH20304	90°/Non-hold	650~1050mm	100Kg	>500,000 Cycles	Two speed section	P29
	BDH20315/BDH20305	90°/Non-hold	800~1200mm	130Kg	>500,000 Cycles	Two speed section	P29
	HD203/HDF203	90°/Non-hold	650~1050mm	100Kg	>1000,000 Cycles	Two speed section	P31
	HD204	90°hold	750~1100mm	115Kg	>1000,000 Cycles	Two speed section	P31
	HD205/HDF205	90°/Non-hold	800~1200mm	130Kg	>1000,000 Cycles	Two speed section	P31
	HD304	90°and120°-180°hold	650~1050mm	100Kg	>1000,000 Cycles	Two speed section	P33
	HD305	90°and120°-180°hold	800~1200mm	130Kg	>1000,000 Cycles	Two speed section	P33
	HD403	90°hold	650~1050mm	100Kg	>1000,000 Cycles	Two speed section	P35
	HD405	90°hold	800~1200mm	130Kg	>1000,000 Cycles	Two speed section	P35
	HD406/HDF406	90°/Non-hold	1100~1300mm	150Kg	>1000,000 Cycles	Two speed section	P35
	BDH40115-HW	90°hold	650~1050mm	100Kg	>500,000 Cycles	Two speed section	P37
	BDH40017/BDH40007(New)	90°/Non-hold	1150~1400mm	180Kg	>1000,000 Cycles	Two speed section	P39
	HD407/BDH40008	90°/Non-hold	1200~1400mm	200Kg	>1000,000 Cycles	Two speed section	P39
	BDH40216/BDH40206(New)	90°/Non-hold	1100~1300mm	150Kg	>500,000 Cycles	Two speed section	P41
	BDH50011/BDH50001	90°/Non-hold	1200~1400mm	250Kg	>500,000 Cycles	Two speed section	P43
	BDH50112	90°hold	1100~1250mm(Unilateral)	300Kg	>500,000 Cycles	Two speed section	P45
	BDH50012	90°hold	Door width: 1200~1500mm Maximum Door high: 3200mm	300Kg	>500,000 Cycles	Two speed section	P47
	BDH50013	90°hold	Door width: 1200~1500mm Maximum Door high:3800mm	350Kg	>500,000 Cycles	Two speed section	P49
	BDH50014	90°hold	Door width: 1200~1500mm Maximum Door high:4200mm	400Kg	>500,000 Cycles	Two speed section	P49
	BDH60015	90°hold	800~1000mm	85Kg	>500,000 Cycles	Two speed section	P51
	BDH60016	90°hold	800~1200mm	100Kg	>500,000 Cycles	Two speed section	P51
	BDH60017(New)	90°hold	800~1200mm	120Kg	>500,000 Cycles	Two speed section	P51
	BDH70014	90°hold	650~800mm	85Kg	>300,000 Cycles	Two speed section	P53
	BDH70015	90°hold	750~900mm	100Kg	>300,000 Cycles	Two speed section	P53
	BDH70114	90°hold	650~800mm	85Kg	>300,000 Cycles	Two speed section	P55
	BDH70115	90°hold	750~900mm	100Kg	>300,000 Cycles	Two speed section	P55



Passed the test of SGS & DGM

Integral cover design, easy to be installed.

Originate the special filler with anti-rust, water proof, keep warm, insect Prevention

**Floor hinge check list**

Product code	Left/ right/ front/ back adjustable	Left/ right/ front/ back- up/ down adjustable	Heavy duty	Ultra narrow type	Torque adjustable	Sliding free	Top installation	360° rotation	Electrical	Opening angle	Opening angle	Opening angle	Opening angle	Opening angle	Opening angle	Single cylinder	Double-cylinder	One speed section	Two speed section
										116°	118°	120°	130°	180°	360°				
BDH80116	●								●										
BDH80216	●								●										
HD101/HDF101	●											●				●		●	
HD102/BDH10305(New)	●									●						●		●	
BDH10214(New)		●									●					●		●	
HD103/BDH10003	●									●						●		●	
HD201/BDH20505(New)	●									●						●		●	
BDH20216		●						●							●	●		●	
BDH20314/BDH20304	●			●									●			●		●	
BDH20315/BDH20305	●			●									●			●		●	
HD203/HDF203	●												●			●		●	
HD204	●												●			●		●	
HD205/HDF205	●												●			●		●	
HD304	●													●		●		●	
HD305	●													●		●		●	
HD403	●													●		●		●	
HD405	●													●		●		●	
HD406/HDF406	●													●		●		●	
BDH40017/BDH40007(New)	●													●		●		●	
HD407/BDH40008	●													●		●		●	
BDH50011/BDH50001	●	●											●			●		●	
BDH50112	●	●	●					●							●	●		●	
BDH50012	●	●											●			●		●	
BDH50013	●	●											●			●		●	
BDH50014	●	●											●			●		●	
BDH60015									●				●			●		●	
BDH60016									●				●			●		●	
BDH70014										●			●					●	
BDH70015										●			●					●	
BDH70114										●			●					●	
BDH70115										●			●					●	

**High quality camshaft design**  
20CrMo material, carburizing, heat treatment, good performance, wear resistance

**Filling agent Patent design**

**Hydraulic pressure oil**  
High-quality crude oil, wear-resistant lubrication, low temperature resistance -35-40°C(customizable)

**Double cylinder design**

**Single cylinder design**

**Deep groove ball bearings**

**Double seal design**

**Springs**  
Made of high-quality 55CrSi, good toughness, high strength, low temperature resistance, high fatigue resistance, to provide a strong closing force for the floor spring

**Cover plate**  
2.0mm thick stainless steel

### Installation



Bottom installation diagram



Top mounting diagram



Hidden installation diagram

### Classification of floor hinge



Electric floor hinge



Regular floor hinge



Super narrow floor hinge



360° rotating floor hinge



Sky Hinge



Concealed Floor Hinge





**Floor hinge**



# Electric floor hinge

Contactless door hardware integration solutions



Remote door opening



Induction door opening

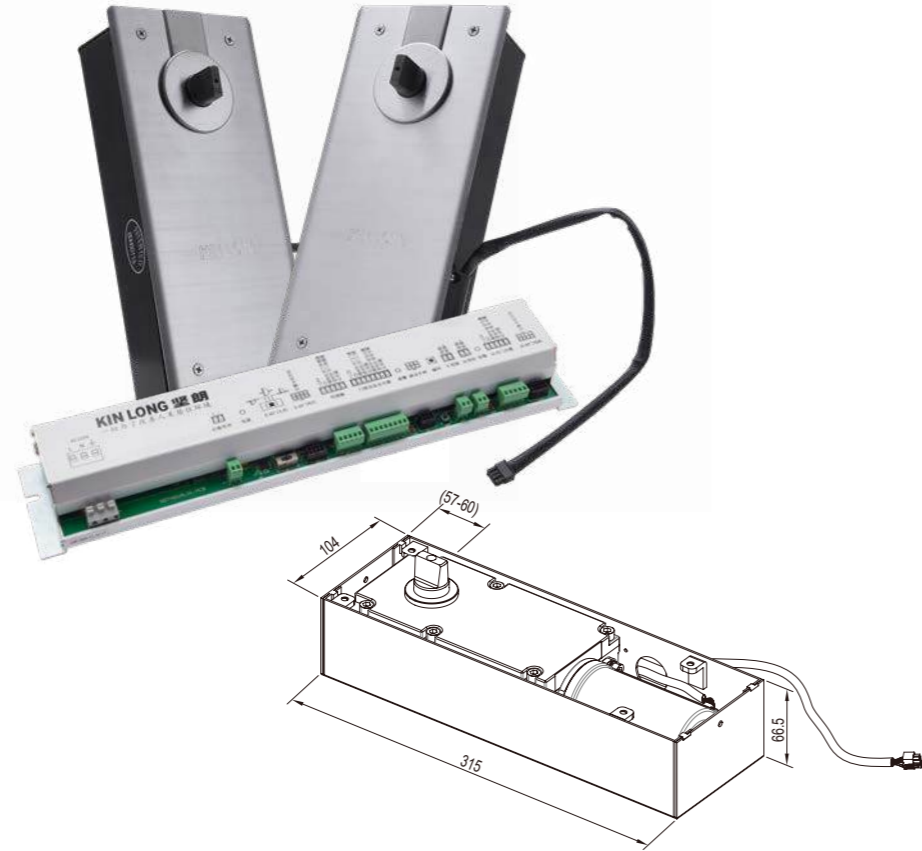


Face recognition door opening



Password/fingerprint/ card to open the door

Two-dimensional Electric



Functional Characteristic

- Past qualify— GB/T 34616 General Technical Requirements Test for pedestrian Automatic Doors.
- Past qualify— JG/T 305 Pedestrian Automatic Door Safety Requirements Test.
- Past qualify— GB/T 4208.
- Past qualify EN16005 EU CE certification.
- Past qualify SGS, DGM inspection.
- Originate the special filler with anti-rust, water proof, keep warm, insect prevention.
- For both side, one side opening; Stop or move backward when meets obstacle, safe and convenient.
- **Only applicable for double door.**
- Suitable for wooden doors, metal doors, framed doors and other door types .
- Using brushless motor and Hall transducer, long life cycle, low working noise.
- Opening method: fingerprint/ access card/ switch/ sensor/ face recognition opening.

Standard Products

BDH80116-02 Double door control panel BDH80116-04 Door stopper



BDH80016-03 Remote control



Additional device (Multifunctional expansion)	Standard	page
	Optional ★Necessary	
Control panel	●	P10
Remote control	●	P10
Microwave sensor	○	P87
Switch	○	P87
Magnetic lock	○	P367
Laser sensor	○	P89-92
Safety light curtain	○	P88
Contactless switch	○	P87
Door access control machine	○	/
Backup power	○	P88
Adjusting device	★	P10
10 inch smart door cloud host (Need to configure Android cloud door host power supply)	○	Gemvary Products

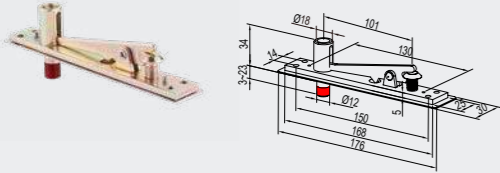
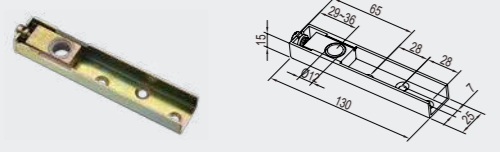
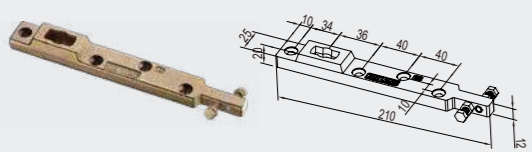
☆Selection instructions

When the electric floor hinge realizes various functions, it is necessary to order optional accessories according to different functional characteristics. Safety light curtain and sensor installing place should avoid direct sunlight.

BDP80101 Adjusting device (Necessary)



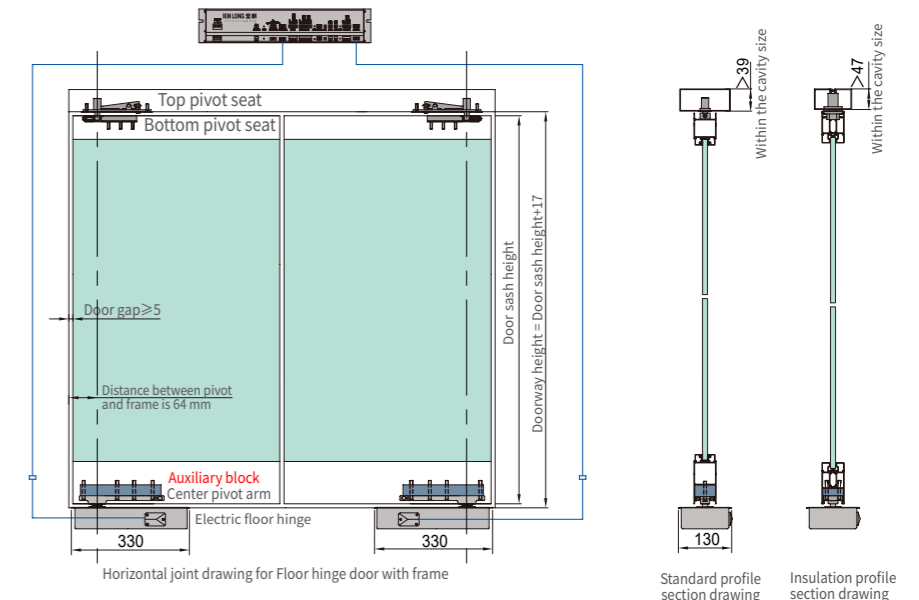
☆Adjusting device is necessary during testing/ installing, Additional order required.

Standard configuration does not include the following accessories)	Product description	BDH80116
BDP30001 Top pivot seat 	Positioning type	Remote control 90 °positioning ●
	Maximum Loading	150kg ●
DX03 Bottom pivot seat 	Door width	650~1200mm ●
	Life cycle	>1,000,000 Cycles ●
DY05 Center pivot arm 	Max open degree	90° ●
	Damping strength	The door sash encounters resistance not greater than 116N.m ● Can stop or reverse open
	Waterproof performance	Motor insulation, waterproof, strong corrosion resistance ●
	The output voltage	12V、24V ●
	Power supply	AC220V(1±10% )/50Hz ●
	Running noise	<60dB ●
	Opening time	6-12S ●
	Operating temperature	-20°C to 55°C ●
	Protection level	IP68 ●
	Rated power	55W ●
	Max torque	165N.m ●

Standard and simplified illustrations

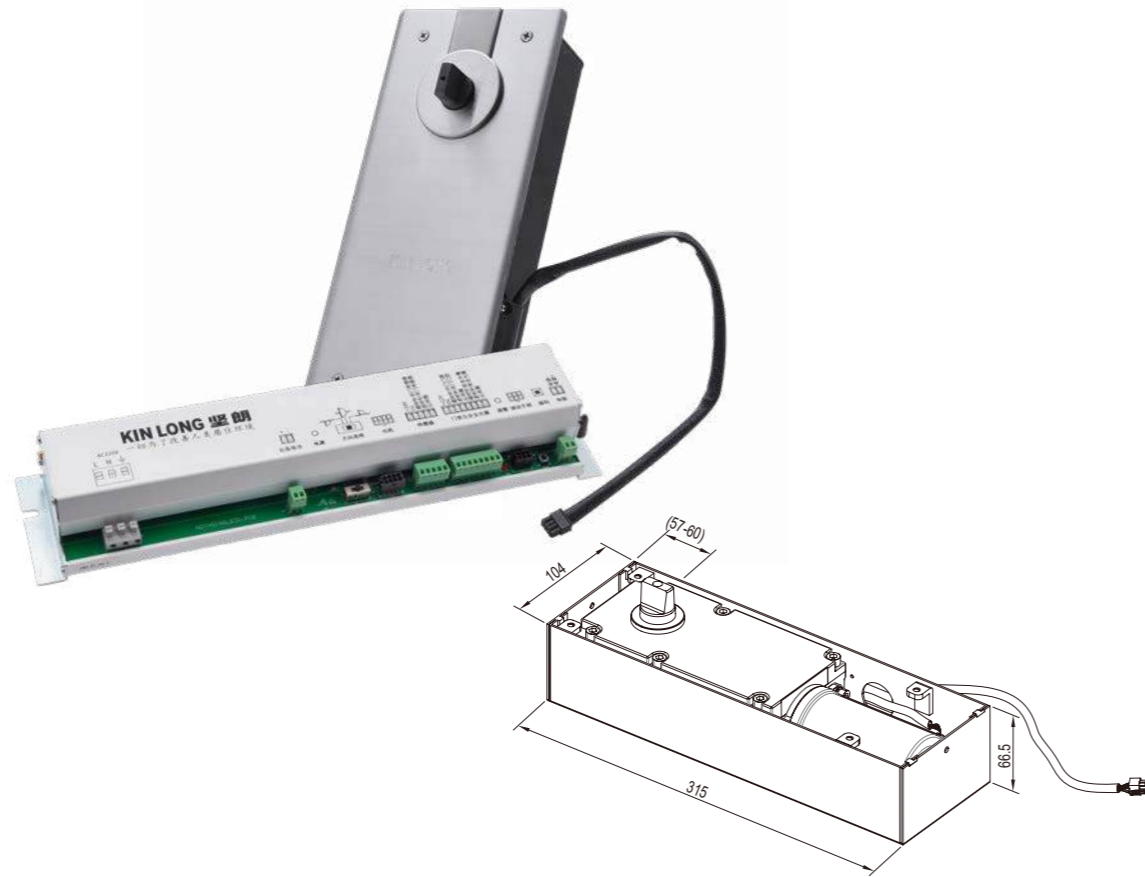


Installation Diagram



Note :1. Standard product has no auxiliary block, the thickness of auxiliary block is based on the cavity of profile.  
2. Insulation profile accessories need to be purchased separately, technical parameters as Page 57.

two-dimensional Electric



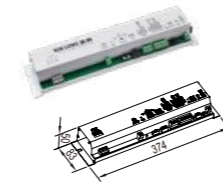
Standard configuration does not include the following accessories)	Product description	BDH80216	
BDP30001 Top pivot seat 	Positioning type	Remote control 90° positioning	●
	Maximum Loading	150kg	●
	Door width	650~1200mm	●
DX03 Bottom pivot seat 	Life cycle	>1,000,000 Cycles	●
	Max open degree	90°	●
	Damping strength	The door sash encounters resistance not greater than 116N.m Can stop or reverse open	●
DY05 Center pivot arm 	Waterproof performance	Motor insulation, waterproof, strong corrosion resistance	●
	The output voltage	12V、24V	●
	Power supply	AC220V(1±10%)/50Hz	●
	Running noise	<60dB	●
	Opening time	6-12S	●
	Operating temperature	-20°C to 55°C	●
	Protection level	IP68	●
	Rated power	55W	●
	Max torque	165N.m	●

Functional Characteristic

- Past qualify— GB/T 34616 General Technical Requirements Test for pedestrian Automatic Doors.
- Past qualify— JG/T 305 Pedestrian Automatic Door Safety Requirements Test.
- Past qualify— GB/T 4208.
- Past qualify EN16005 EU CE certification.
- Past qualify SGS, DGM inspection.
- Originate the special filler with anti-rust, water proof, keep warm, insect prevention.
- For both side, one side opening; Stop or move backward when meets obstacle, safe and convenient.
- **Only applicable for single door.**
- Suitable for wooden doors, metal doors, framed doors and other door types.
- Using brushless motor and Hall transducer, long life cycle, low working noise.
- Opening method: fingerprint/ access card/ switch/ sensor/ face recognition opening.

Standard Products

BDH80216-01 Single door control panel    BDH80116-04 Door stopper



BDH80016-03 Remote control



Standard and simplified illustrations



Additional device (Multifunctional expansion)

	● Standard ○ Optional ★ Necessary	page
Control panel	●	P12
Remote control	●	P12
Microwave sensor	○	P87
Switch	○	P87
Magnetic lock	○	P367
Laser sensor	○	P89-92
Safety light curtain	○	P88
Contactless switch	○	P87
Door access control machine	○	/
Backup power	○	P88
Adjusting device	★	P12
10 inch smart door cloud host (Need to configure Android cloud door host power supply)	○	Gemvary Products

☆Selection instructions

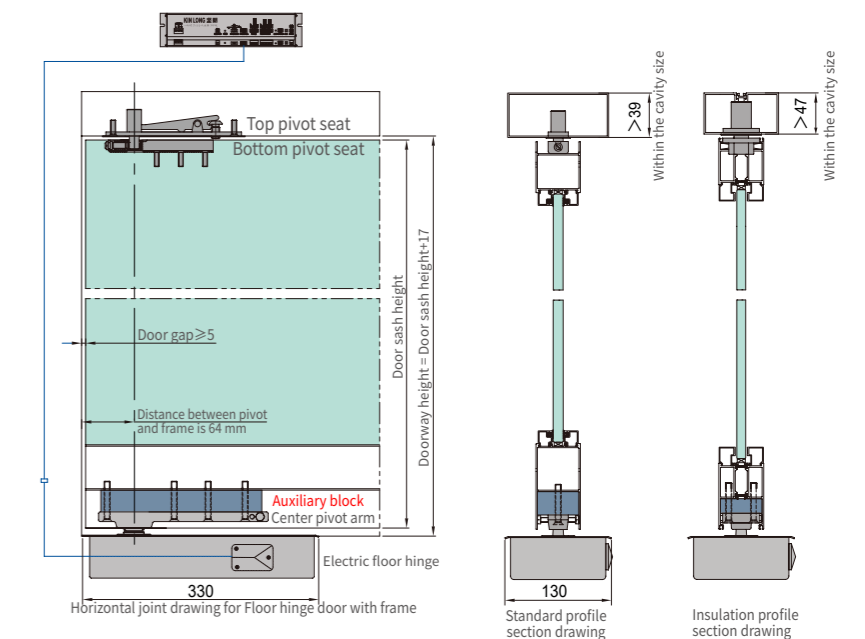
When the electric floor hinge realizes various functions, it is necessary to order optional accessories according to different functional characteristics. Safety light curtain and sensor installing place should avoid direct sunlight.

BDP80101 Adjusting device (Necessary)



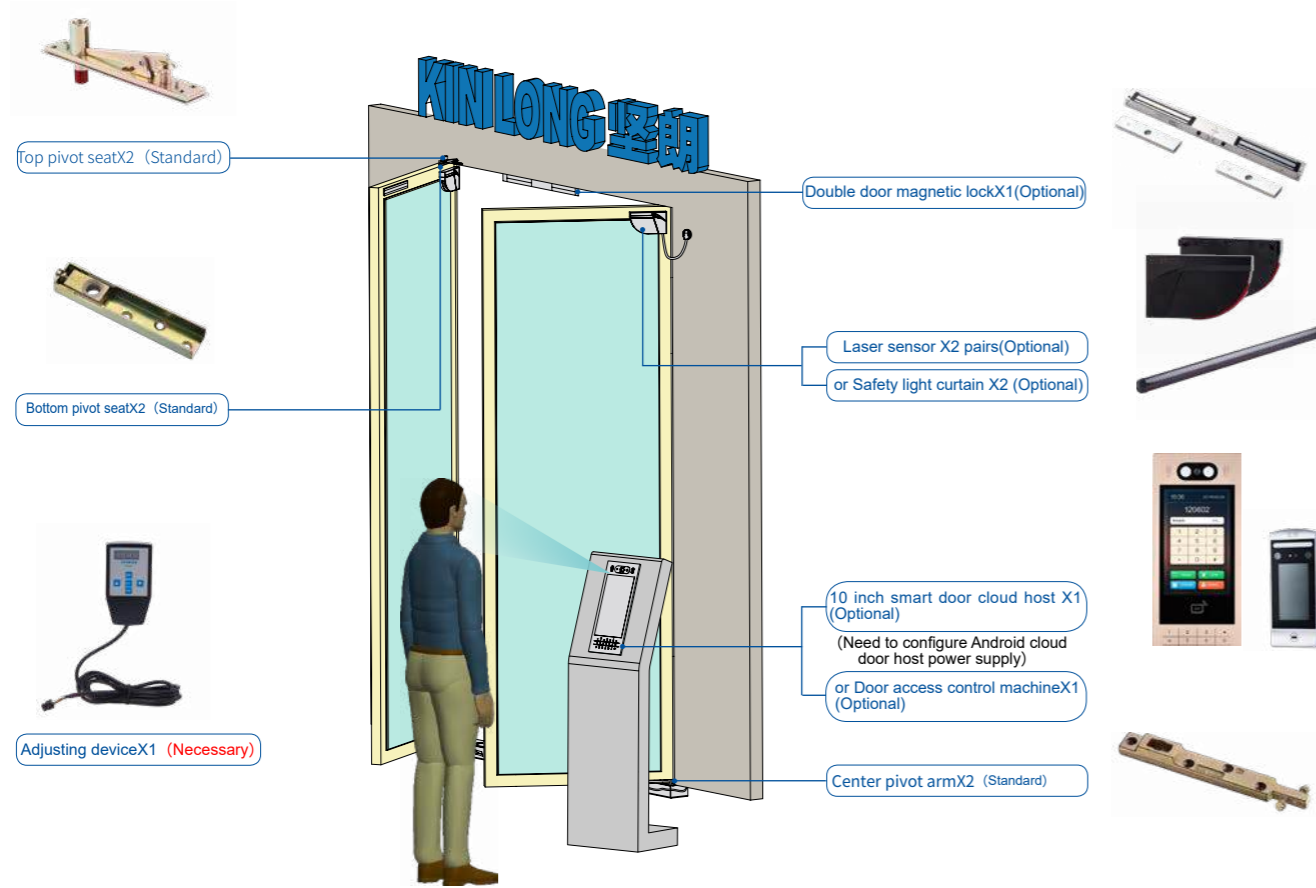
☆Adjusting device is necessary during testing/ installing, Additional order required.

Installation Diagram

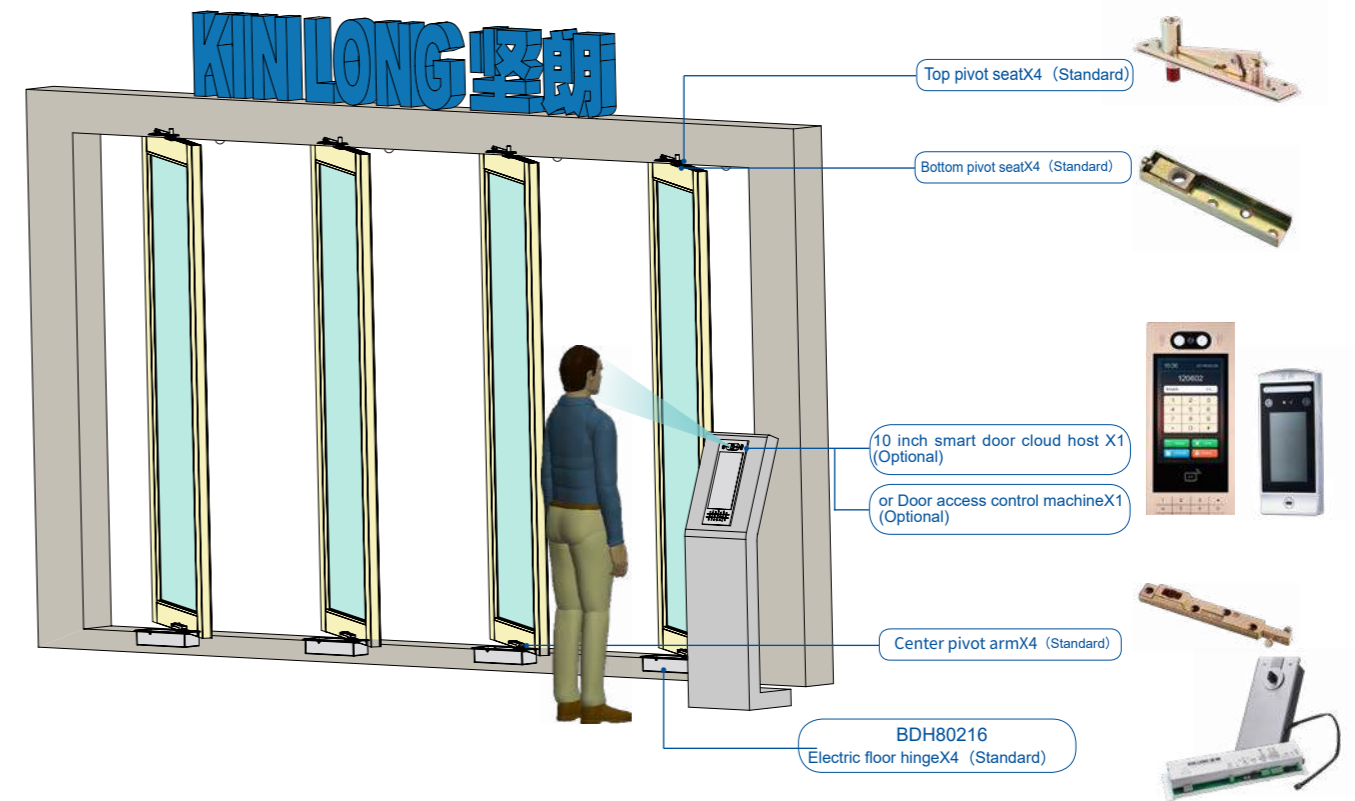


Note :1. Standard product has no auxiliary block, the thickness of auxiliary block is based on the cavity of profile.  
2. Insulation profile accessories need to be purchased separately, technical parameters as Page 57.

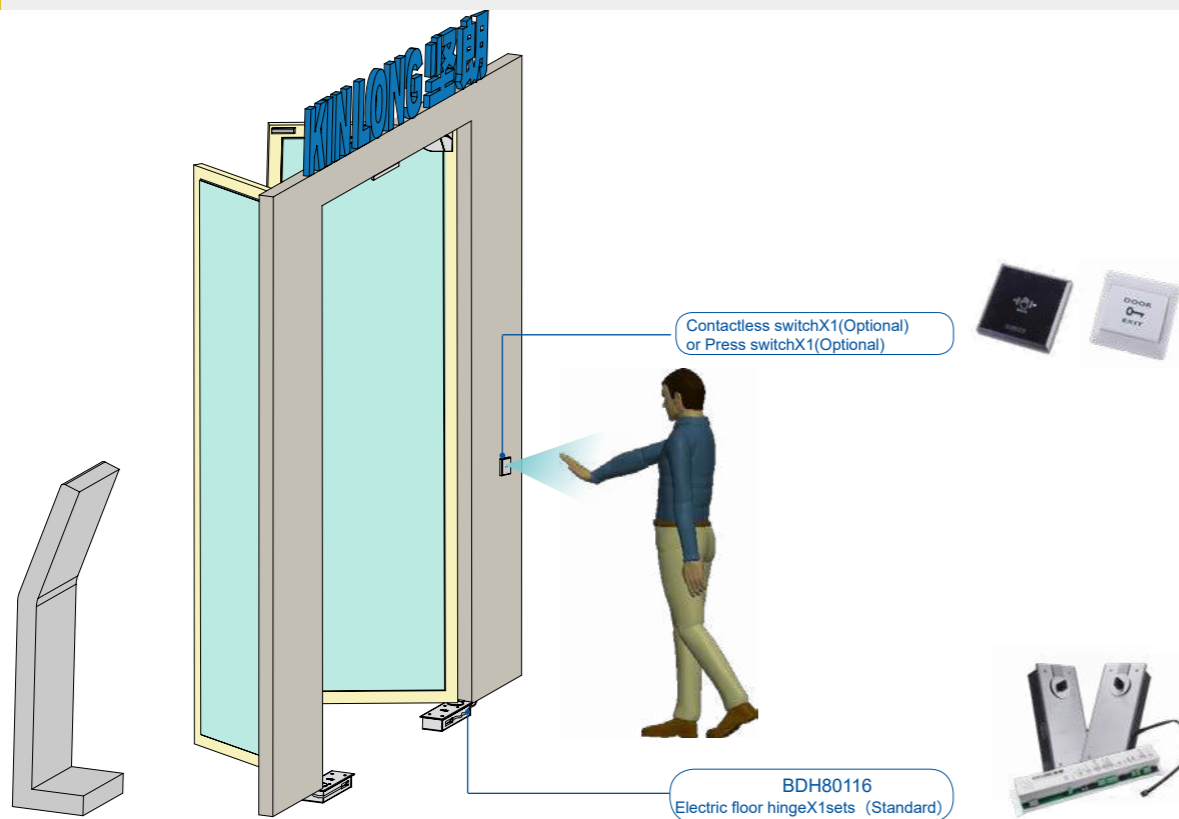
Hardware integrated configuration scheme for electric floor hinge contactless door (outdoor)



Hardware integrated configuration scheme for contactless door of electric middle rotation door (outdoor)



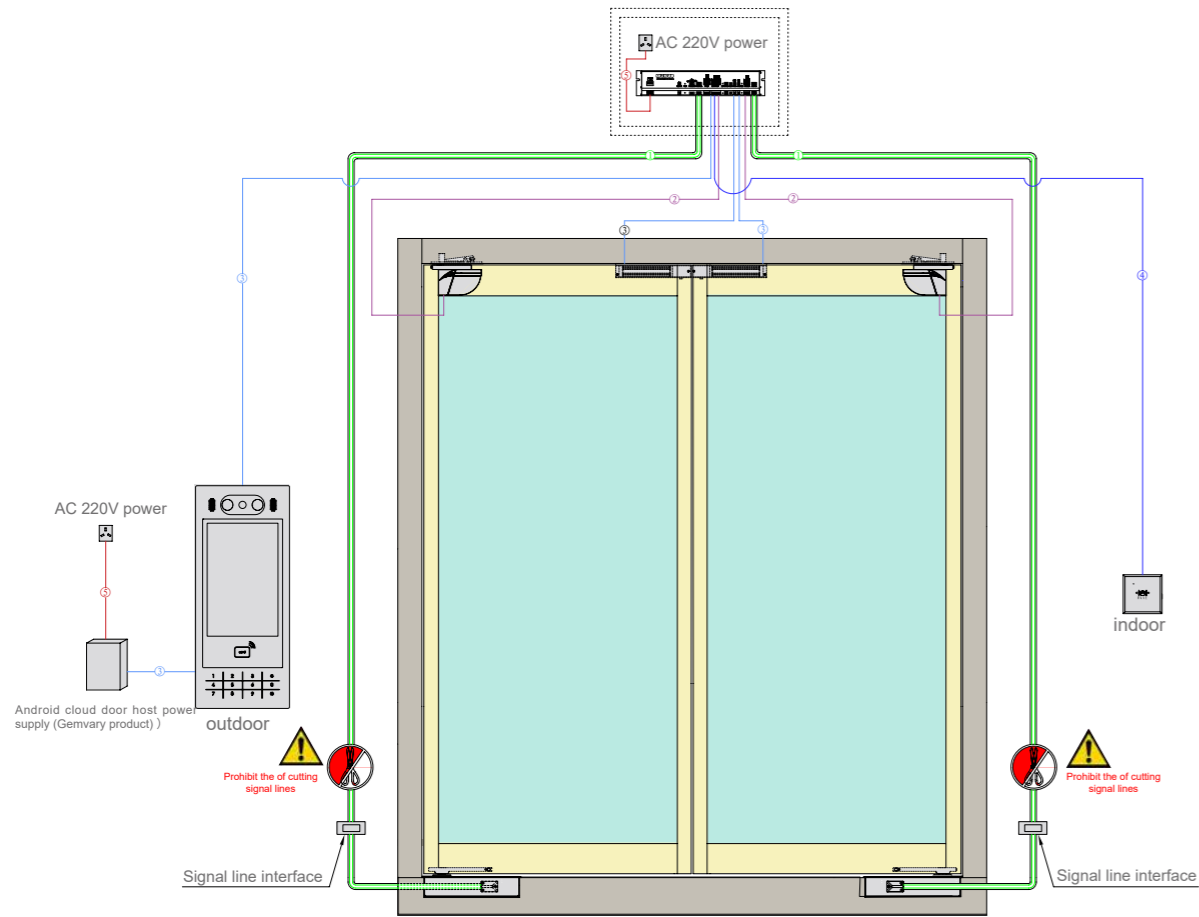
Hardware integrated configuration scheme for electric floor hinge contactless door (indoor)



Hardware integrated configuration scheme for contactless door of electric middle rotation door (indoor)



### BDH80116 connection sketch map (double door opening)



**Note:**

- 1、 Put the filler into the outer box of floor hinge after installing.
- 2、 During installing and connecting wires, making sure the signal wire port is at least 10cm higher than the floor, to prevent water-leaking and causing malfunction.

◆ The Illustration and Requirements for Installation of Electric Floor Hinge:

- ① =RVV-8×0.5mm<sup>2</sup>, optional wire tube φ30mm pull wire (the electric floor hinge comes with a signal wire length of 8 meters as standard The distance exceeds the standard, non-standard customization is required, and the total length can be extended to 15m)
  - ② =RVV-6×0.5mm<sup>2</sup>, optional cable tube φ20mm cable(Laser sensor comes with a signal wire)
  - ③ =RVV-2×0.5mm<sup>2</sup>, optional cable tube φ20mm cable
  - ④ =RVV-4×0.5mm<sup>2</sup>, optional cable tube φ20mm cable
  - ⑤ =RVV-3×1.5mm<sup>2</sup>, optional cable tube φ20mm cable
- Cable information is reasonably pulled according to the actual situation on site

◆ Main notice for installation and construction:

- 1.the electric floor hinge comes with a signal wire length of 8 meters as standard The distance exceeds the standard, non-standard customization is required, and the total length can be extended to 15m.
- 2.It is forbidden to cut the signal wire of the electric floor hinge, so as to avoid abnormal products, which may cause breakage during the construction process and need to be replaced

◆ Disclaimer:

1. Under power-on conditions, the product itself has the function of automatically opening and closing the door, and it is forbidden to apply external force to force the door to open and close
- 2.It is forbidden to cut the signal wire of the electric floor hinge. KIN LONG will not bear any responsibility for abnormal use caused by the cutting signal wire
- 3.Due to differences in voltage, current, power and other factors in electronic products, there is no guarantee that other companies' electronic products can be used with our electric floor hinges KIN LONG's electric floor hinges are used in conjunction with any abnormalities, KIN LONG will not bear any responsibility

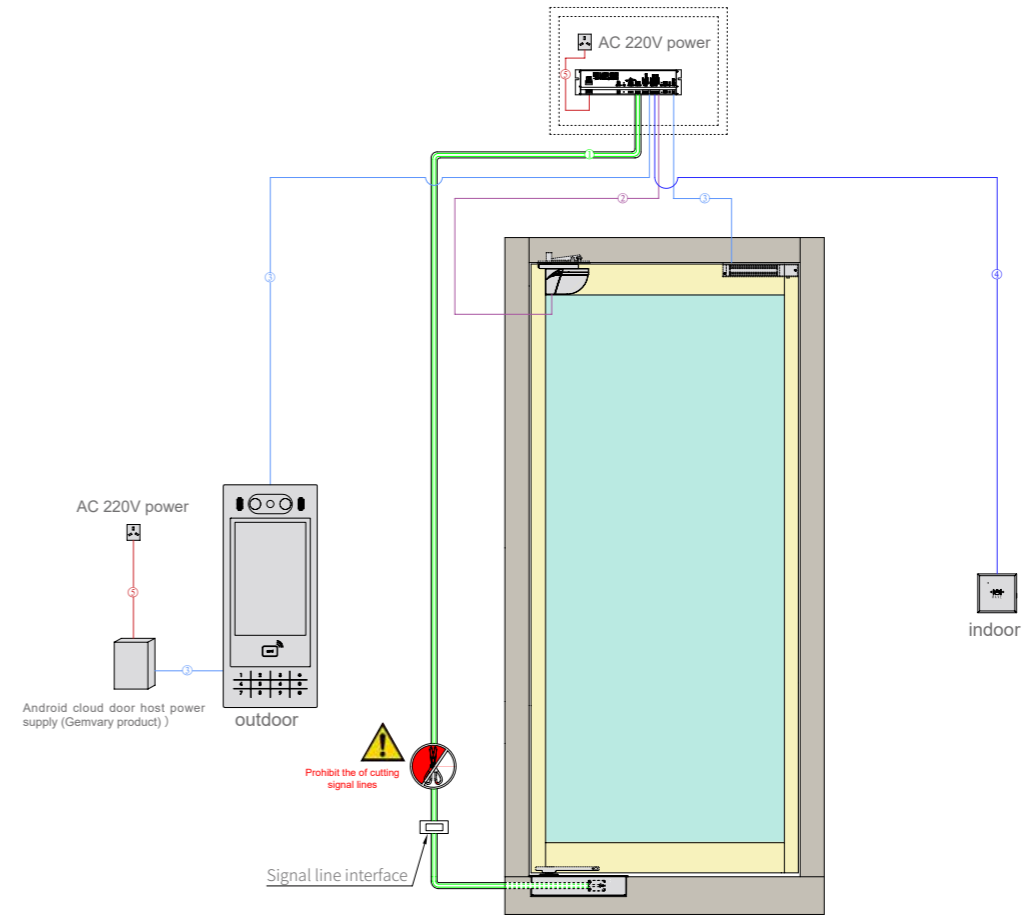
Electric floor hinge threading construction steps:

1. Determine the location of the unit and slot the ground according to the overall dimensions of the floor hinge
2. Choose a PVC threading pipe with an inner diameter Of 30mm for pre-embedding
- 3.All wires should be arranged on the green tube and each end size should connect with the wire port.
4. Determine the location of the unit and fix it

Design description of access opening:

- 1、 The electric floor hinge controller should be set with a dedicated inspection port for placing the electric floor hinge controller
- 2、 The size of the inspection port should meet 500mm\*100mm\*100mm
- 3、 The inspection location is designed by the construction unit and the customer, and the distance between the inspection port and the main body of the floor hinge is within the range of the signal line

### BDH80216 connection sketch map (single door opening)



**Note:**

- 1、 Put the filler into the outer box of floor hinge after installing.
- 2、 During installing and connecting wires, making sure the signal wire port is at least 10cm higher than the floor, to prevent water-leaking and causing malfunction.

◆ The Illustration and Requirements for Installation of Electric Floor Hinge:

- ① =RVV-8×0.5mm<sup>2</sup>, optional wire tube φ30mm pull wire (the electric floor hinge comes with a signal wire length of 8 meters as standard The distance exceeds the standard, non-standard customization is required, and the total length can be extended to 15m)
  - ② =RVV-6×0.5mm<sup>2</sup>, optional cable tube φ20mm cable(Laser sensor comes with a signal wire)
  - ③ =RVV-2×0.5mm<sup>2</sup>, optional cable tube φ20mm cable
  - ④ =RVV-4×0.5mm<sup>2</sup>, optional cable tube φ20mm cable
  - ⑤ =RVV-3×1.5mm<sup>2</sup>, optional cable tube φ20mm cable
- Cable information is reasonably pulled according to the actual situation on site

◆ Main notice for installation and construction:

- 1.the electric floor hinge comes with a signal wire length of 8 meters as standard The distance exceeds the standard, non-standard customization is required, and the total length can be extended to 15m.
- 2.It is forbidden to cut the signal wire of the electric floor hinge, so as to avoid abnormal products, which may cause breakage during the construction process and need to be replaced

◆ Disclaimer:

1. Under power-on conditions, the product itself has the function of automatically opening and closing the door, and it is forbidden to apply external force to force the door to open and close
- 2.It is forbidden to cut the signal wire of the electric floor hinge. KIN LONG will not bear any responsibility for abnormal use caused by the cutting signal wire
- 3.Due to differences in voltage, current, power and other factors in electronic products, there is no guarantee that other companies' electronic products can be used with our electric floor hinges KIN LONG's electric floor hinges are used in conjunction with any abnormalities, KIN LONG will not bear any responsibility

Electric floor hinge threading construction steps:

1. Determine the location of the unit and slot the ground according to the overall dimensions of the floor hinge
2. Choose a PVC threading pipe with an inner diameter Of 30mm for pre-embedding
- 3.All wires should be arranged on the green tube and each end size should connect with the wire port.
4. Determine the location of the unit and fix it

Design description of access opening:

- 1、 The electric floor hinge controller should be set with a dedicated inspection port for placing the electric floor hinge controller
- 2、 The size of the inspection port should meet 500mm\*100mm\*100mm
- 3、 The inspection location is designed by the construction unit and the customer, and the distance between the inspection port and the main body of the floor hinge is within the range of the signal line

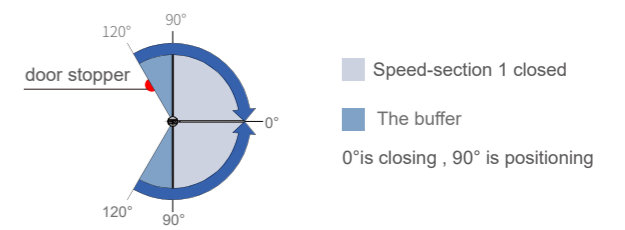
two-dimensional 120° Single One



Functional Characteristic

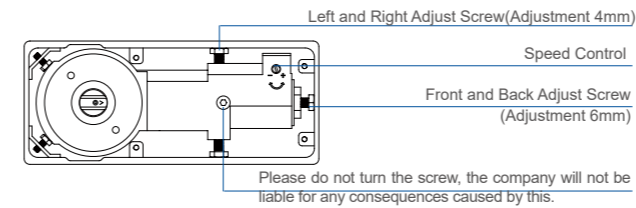
- Passed the test of industrial standard QB/T 2697.
- Passed the test of SGS & DGM.
- Originate the special filler with anti-rust, water proof, keep warm, insect prevention.
- It can be used on both left and right side door.
- Bidirection opening and the single side opening should be achieved by auxiliary method.
- Suit for wooden door, metal door, glass door, frame door.

Application Performance

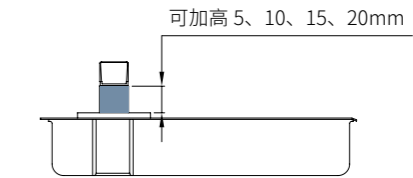


Graphics HD101, HDF101 has not 90°hold function. To prevent the door from opening beyond the maximum angle, it is recommended to install the door stopper.

Adjustment diagram

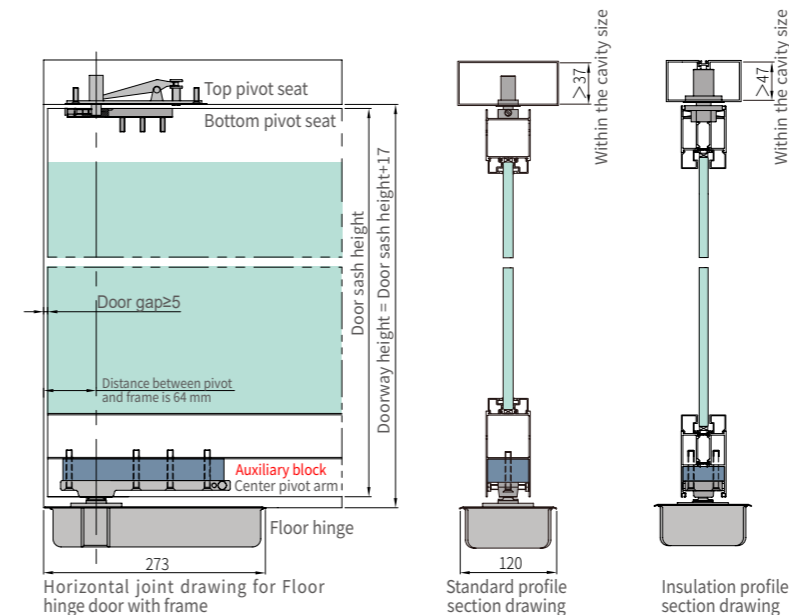


Spindle can be heightened(Please remark before ordering if required)



Standard configuration does not include the following accessories)	Product description	HD101	HDF101
DS05 Top pivot seat	90°Hold	●	
	Non-hold		●
	Door width	650~1050mm	●
	Maximum Loading	100kg	●
	Life cycle	>500,000 Cycles	●
	Main Material	Main body-Gray cast-iron; Cover plate—Stainless steel	●
	Speed control	One speed section	●
	Suitable Temperature	-15°C~40°C	●
	Surface of the cover plate	400#Hairline	●
	Max open degree	120°	●
	Structure of main body	Single cylinder	●
	Cover plate thickness	1.2mm	●
	凸轮轴角度	14°	●
		6°	●

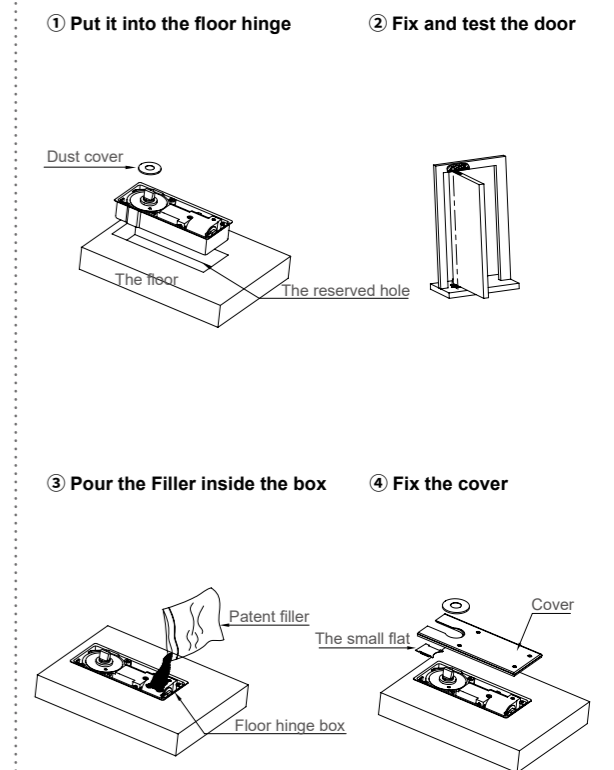
Installation Diagram and Product Drawing



Note :1.Standard product has no auxiliaryblock, the thickness of auxiliary block is based on the cavity of profile.  
2.Insulation profile accessories need to be purchased separately, technical parameters as Page 57.

- ◆When it is used for the wooden door, metal door, frame door, please select the standard accessories.
- ◆When it is used for the frameless glass door, please select floor hinge without accessories and the pivot hinge hardware (Drawing configuration is required).

Filler Application Instruction



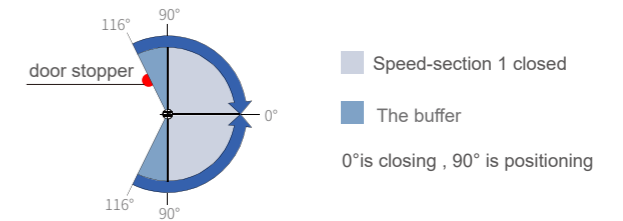
Two-dimensional 116° Single One



### Functional Characteristic

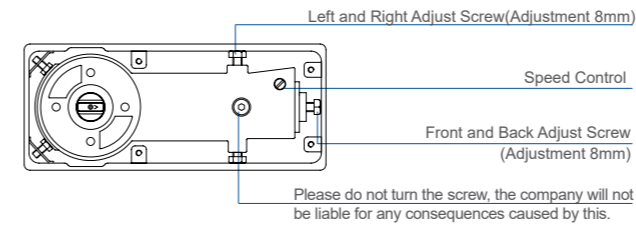
- Passed the test of industrial standard QB/T 2697.
- Passed the test of SGS & DGM.
- Originate the special filler with anti-rust, water proof, keep warm, insect prevention.
- It can be used on both left and right side door.
- Bidirection opening and the single side opening should be achieved by auxiliary method.
- Suit for wooden door, metal door, glass door, frame door.

### Application Performance



To prevent the door from opening beyond the maximum angle, it is recommended to install the door stopper.

### Adjustment diagram



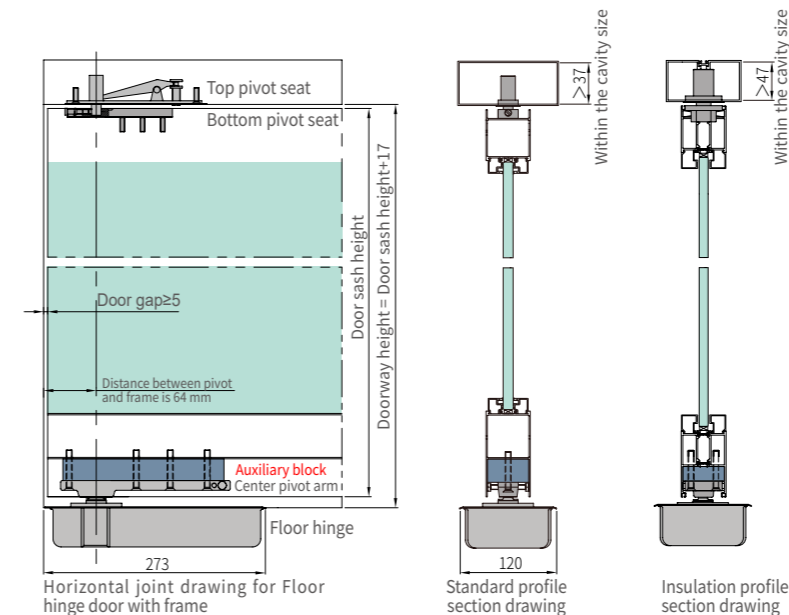
### Spindle can be heightened (Please remark before ordering if required)



**New**

Standard configuration does not include the following accessories)		Product description	HD102	BDH10305
DS05 Top pivot seat		Positioning type	●	●
		90° Hold	●	●
DX05 Bottom pivot seat		Non-hold	●	●
		Door width	650~900mm	●
DY05 Center pivot arm		Maximum Loading	90kg	●
		Life cycle	>300,000 Cycles	●
		Main Material	Main body-Gray cast-iron; Cover plate—Stainless steel	●
		Speed control	One speed section	●
		Suitable Temperature	-15°C~40°C	●
		Surface of the cover plate	400#Hairline	●
		Max open degree	116°	●
		Structure of main body	Single cylinder	●
		Cover plate thickness	1.2mm	●
		Spindle	14°	●
			6°	●

### Installation Diagram and Product Drawing

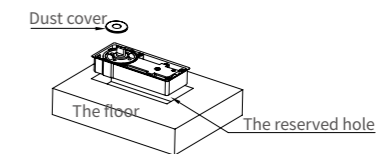


Note: 1. Standard product has no auxiliary block, the thickness of auxiliary block is based on the cavity of profile.  
2. Insulation profile accessories need to be purchased separately, technical parameters as Page 57.

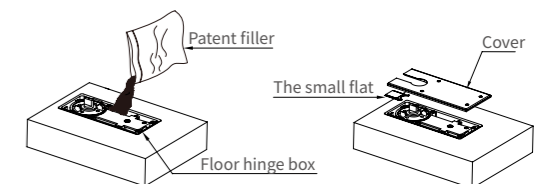
- ◆ When it is used for the wooden door, metal door, frame door, please select the standard accessories.
- ◆ When it is used for the frameless glass door, please select floor hinge without accessories and the pivot hinge hardware (Drawing configuration is required).

### Filler Application Instruction

- Put it into the floor hinge
- Fix and test the door



- Pour the Filler inside the box
- Fix the cover



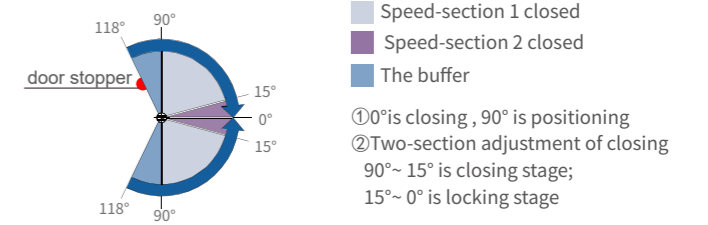
Three-dimensional 118° Single Two



### Functional Characteristic

- Passed the test of industrial standard QB/T 2697.
- Passed the test of SGS & DGM.
- Passed the test of EN1154 standard of door closing detection.
- Originate the special filler with anti-rust, water proof, keep warm, insect prevention.
- It can be used on both left and right side door.
- Bidirection opening and the single side opening should be achieved by auxiliary method.
- Suit for wooden door, metal door, glass door, frame door.

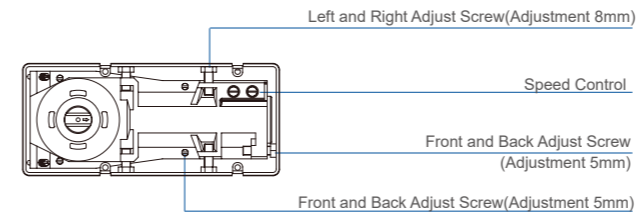
### Application Performance



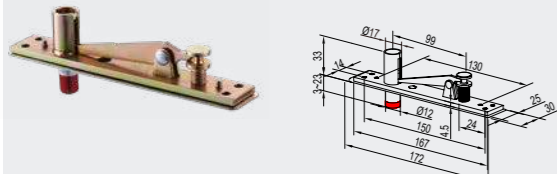
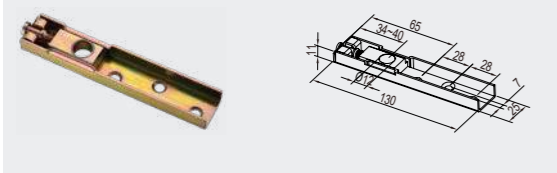
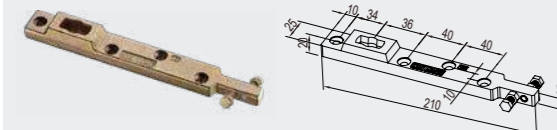
Graphics has 90° hold function.

To prevent the door from opening beyond the maximum angle, it is recommended to install the door stopper.

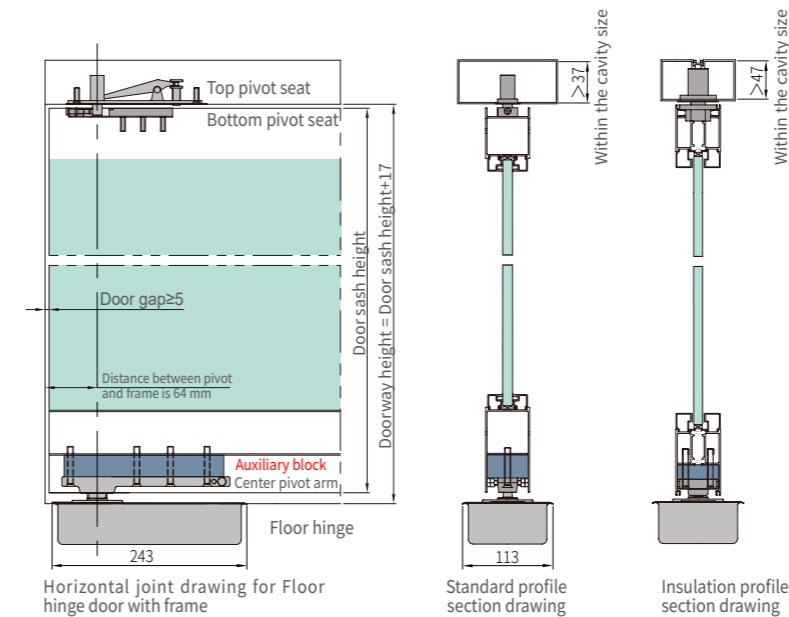
### Adjustment diagram



**New**

Standard configuration does not include the following accessories)	Product description	BDH10214
DS05 Top pivot seat	Positioning type	90° Hold
	Door width	650~900mm
	Maximum Loading	85kg
	Life cycle	>500,000 Cycles
	Main Material	Main body-Gray cast-iron; Cover plate—SS304
	Speed control	Two speed section
	Suitable Temperature	-15°C~40°C
	Surface of the cover plate	400#Hairline
	Max open degree	118°
	Structure of main body	Single cylinder
	Cover plate thickness	1.2mm
	Spindle	14°

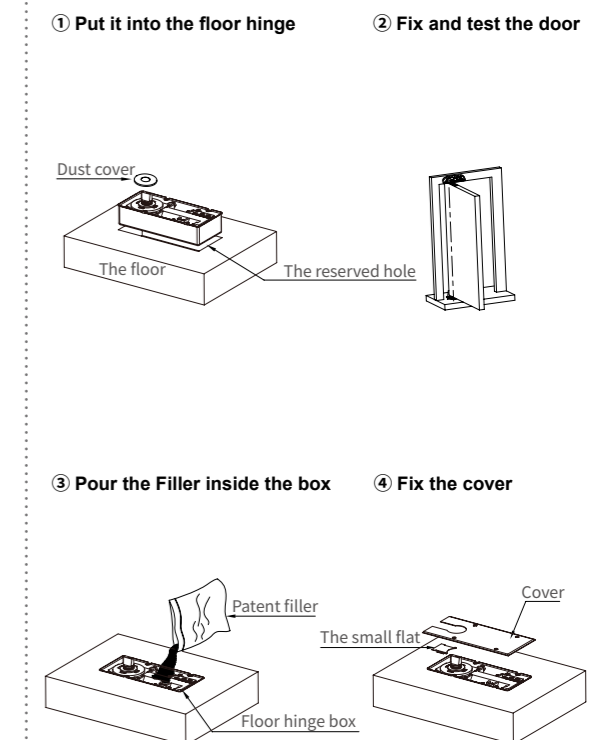
### Installation Diagram and Product Drawing



Note: 1. Standard product has no auxiliary block, the thickness of auxiliary block is based on the cavity of profile.  
 2. Insulation profile accessories need to be purchased separately, technical parameters as Page 57.

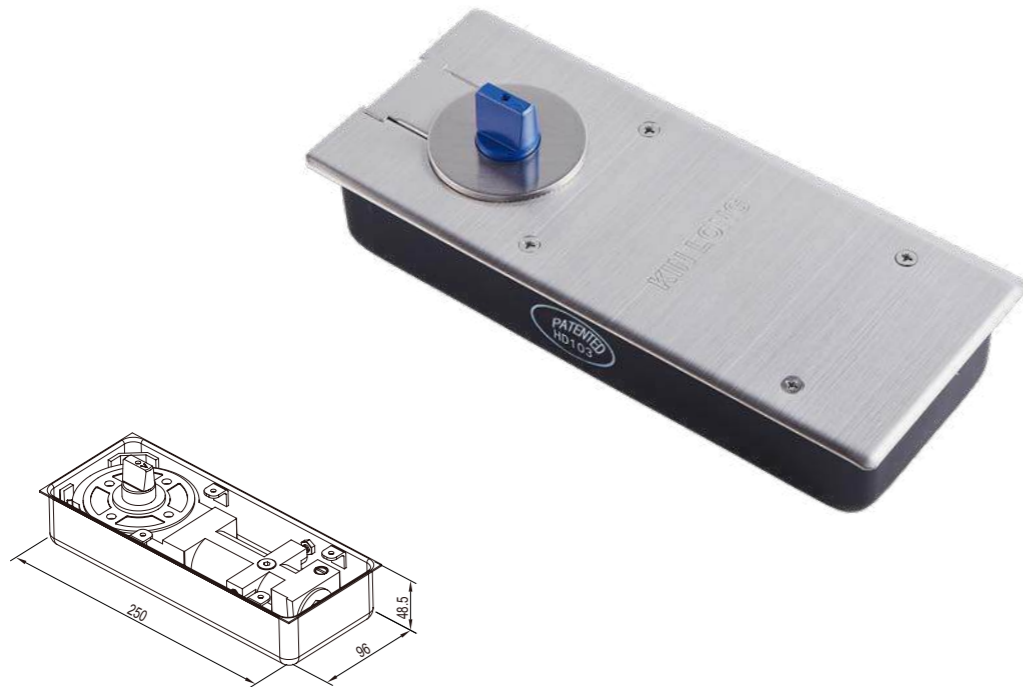
- ◆ When it is used for the wooden door, metal door, frame door, please select the standard accessories.
- ◆ When it is used for the frameless glass door, please select floor hinge without accessories and the pivot hinge hardware (Drawing configuration is required).

### Filler Application Instruction





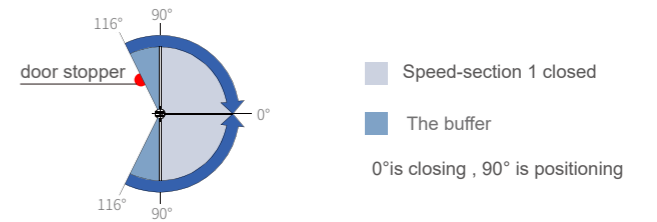
Two-dimensional 116° Single One



Functional Characteristic

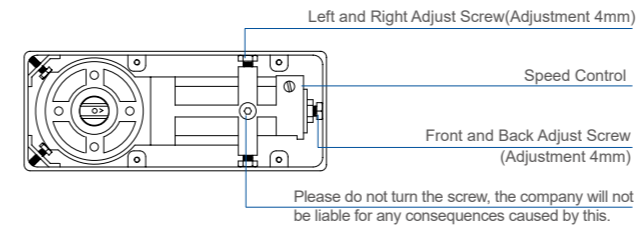
- Passed the test of industrial standard QB/T 2697.
- Passed the test of SGS & DGM.
- Originate the special filler with anti-rust, water proof, keep warm, insect prevention.
- It can be used on both left and right side door.
- Bidirection opening and the single side opening should be achieved by auxiliary method.
- Suit for wooden door, metal door, glass door, frame door.

Application Performance

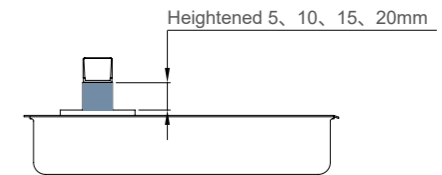


Graphics HD103, BDH10003 has not 90°hold function. To prevent the door from opening beyond the maximum angle, it is recommended to install the door stopper.

Adjustment diagram

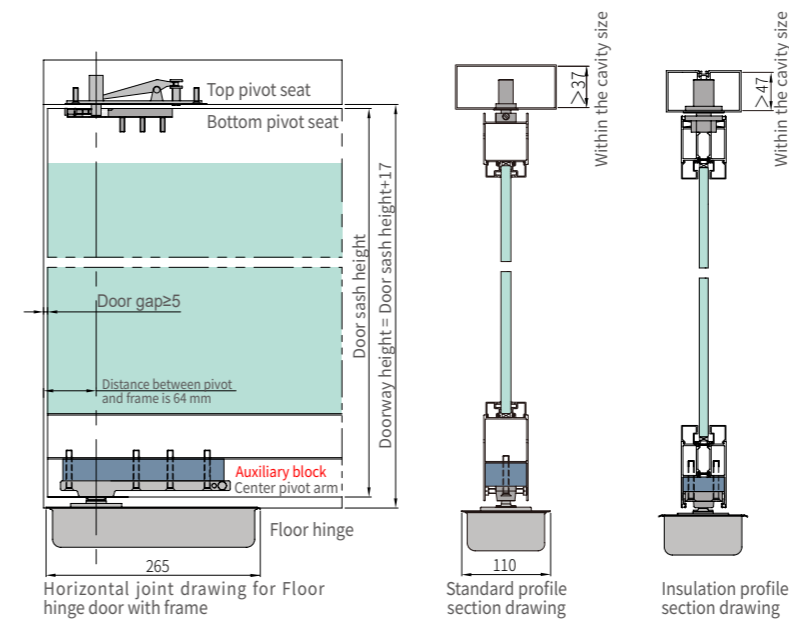


Spindle can be heightened(Please remark before ordering if required)



Standard configuration does not include the following accessories)		Product description	HD103	BDH10003
DS05 Top pivot seat 	Positioning type	90°Hold	●	
		Non-hold		●
DX05 Bottom pivot seat 	Door width	600~950mm	●	●
	Maximum Loading	65kg	●	●
DY05 Center pivot arm 	Life cycle	>300,000 Cycles	●	●
	Main Material	Main body-Gray cast-iron; Cover plate—SS304	●	●
	Speed control	One speed section	●	●
	Suitable Temperature	-15°C~40°C	●	●
	Surface of the cover plate	400#Hairline	●	●
	Max open degree	116°	●	●
	Structure of main body	Single cylinder	●	●
	Cover plate thickness	1.2mm	●	●
	Spindle	14°	●	●
		6°	●	●

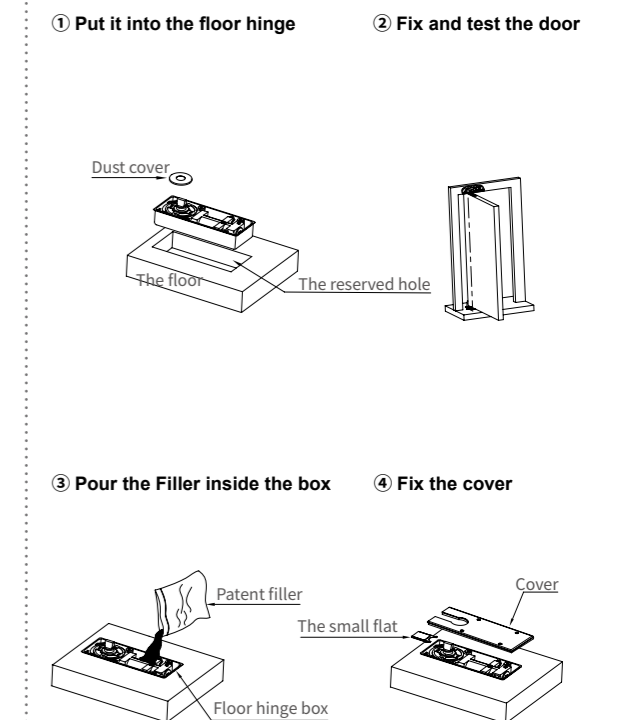
Installation Diagram and Product Drawing



Note :1.Standard product has no auxiliaryblock, the thickness of auxiliary block is based on the cavity of profile.  
2.Insulation profile accessories need to be purchased separately, technical parameters as Page 57.

- ◆When it is used for the wooden door, metal door, frame door, please select the standard accessories.
- ◆When it is used for the frameless glass door, please select floor hinge without accessories and the pivot hinge hardware (Drawing configuration is required).

Filler Application Instruction



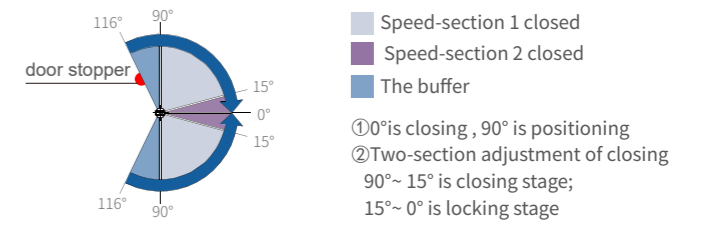
Two-dimensional 116° Single Two



Functional Characteristic

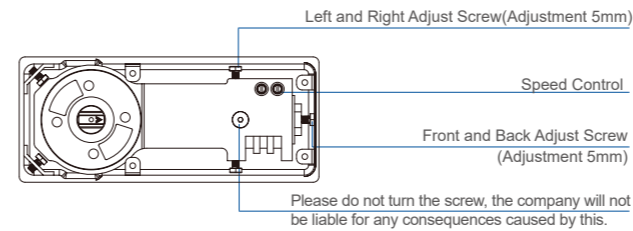
- Passed the test of industrial standard QB/T 2697.
- Passed the test of SGS & DGM.
- Passed the test of EN1154 standard of door closing detection.
- Originate the special filler with anti-rust, water proof, keep warm, insect prevention.
- It can be used on both left and right side door.
- Bidirection opening and the single side opening should be achieved by auxiliary method.
- Suit for wooden door, metal door, glass door, frame door.

Application Performance



Graphics has 90°hold function.  
To prevent the door from opening beyond the maximum angle, it is recommended to install the door stopper.

Adjustment diagram



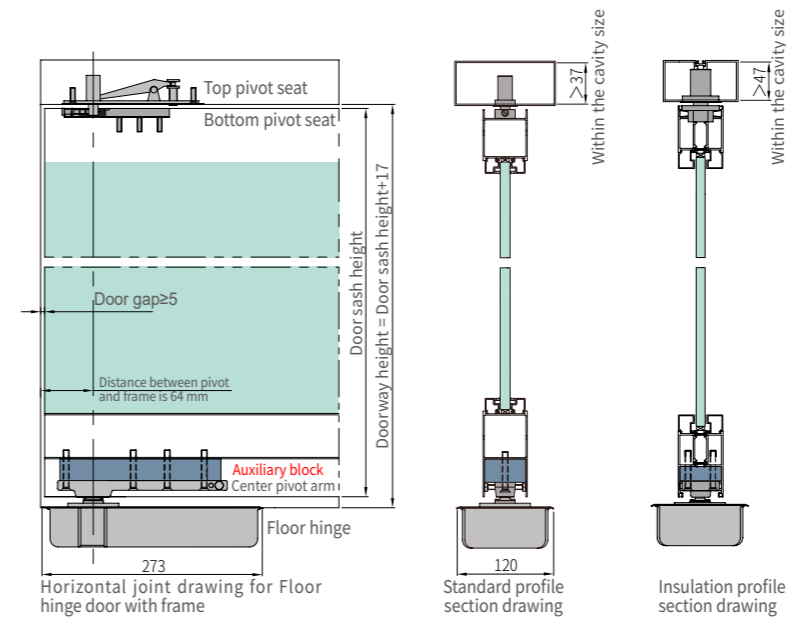
Spindle can be heightened(Please remark before ordering if required)



New

Standard configuration does not include the following accessories)		Product description	HD201	BDH20505
DS05 Top pivot seat		90°Hold	●	
		Positioning type		●
		Non-hold		●
		Door width	650~1050mm	●
		Maximum Loading	90kg	●
		Life cycle	>50万次	●
		Main Material	Main body-Gray cast-iron; Cover plate—Stainless steel	●
		Speed control	One speed section	●
		Suitable Temperature	-15°C~40°C	●
		Surface of the cover plate	400#Hairline	●
		Max open degree	116°	●
		Structure of main body	Single cylinder	●
		Cover plate thickness	1.2mm	●
		Spindle	14°	●
			6°	●

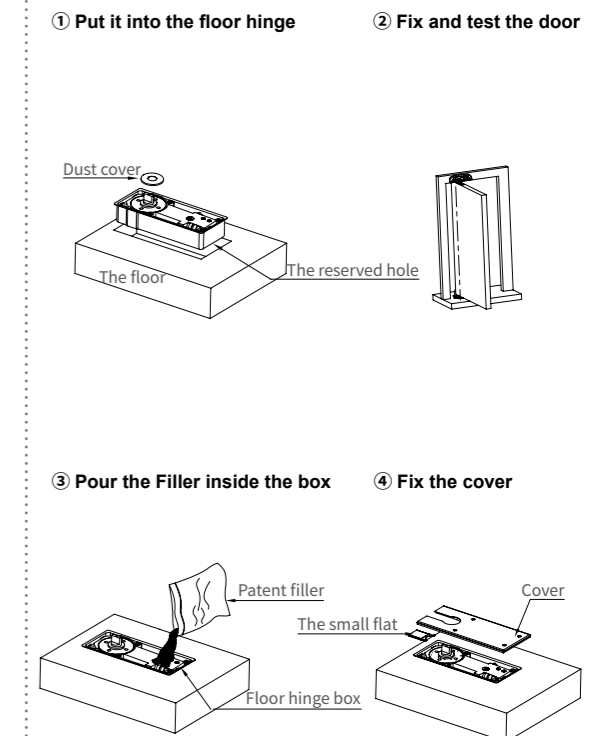
Installation Diagram and Product Drawing



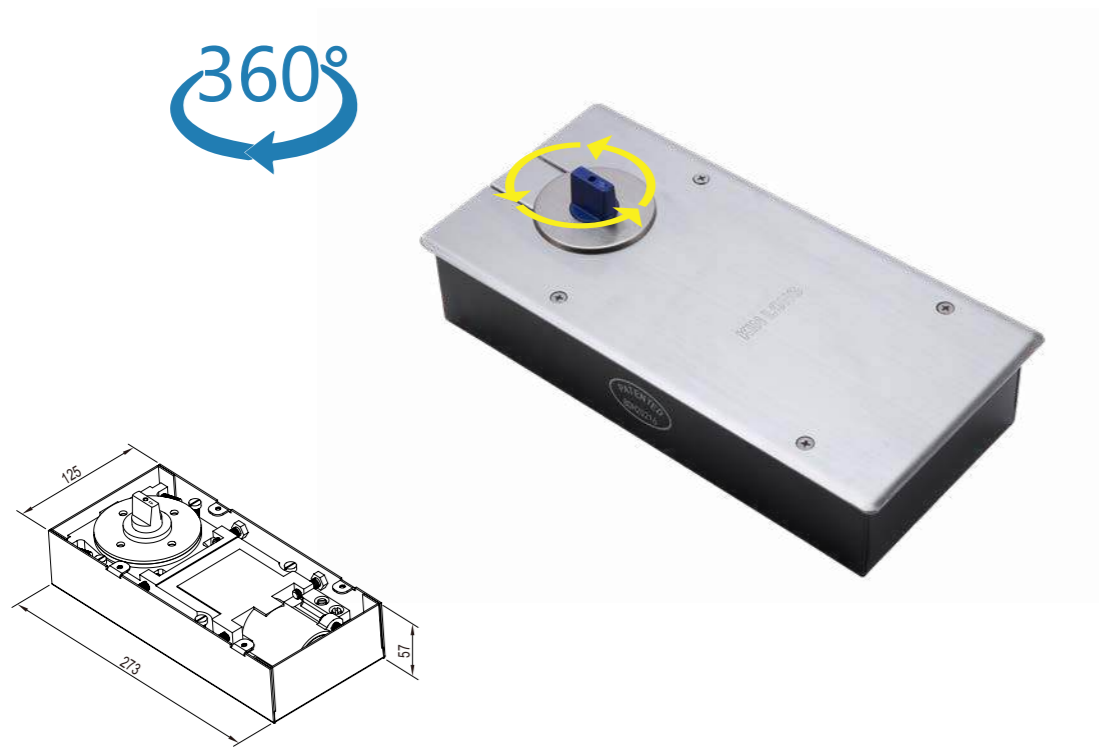
Note: 1. Standard product has no auxiliary block, the thickness of auxiliary block is based on the cavity of profile.  
2. Insulation profile accessories need to be purchased separately, technical parameters as Page 57.

- ◆When it is used for the wooden door, metal door, frame door, please select the standard accessories.
- ◆When it is used for the frameless glass door, please select floor hinge without accessories and the pivot hinge hardware (Drawing configuration is required).

Filler Application Instruction



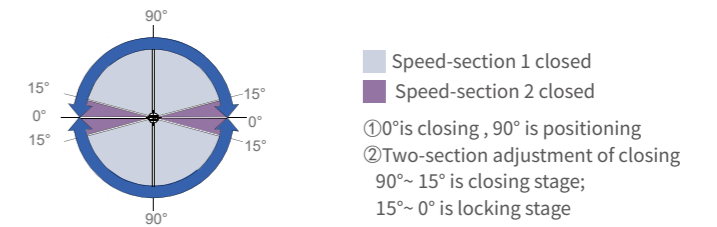
Three-dimensional 360° Single Two



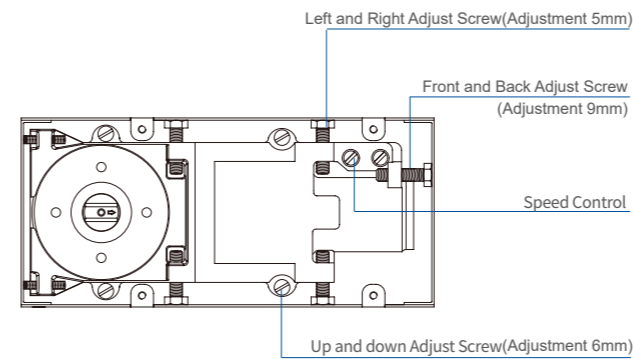
Functional Characteristic

- Passed the test of industrial standard QB/T 2697.
- Passed the test of SGS & DGM.
- Passed the test of EN1154 standard of door closing detection.
- Originate the special filler with anti-rust, water proof, keep warm, insect prevention.
- Suit for wooden door, metal door, glass door, frame door.

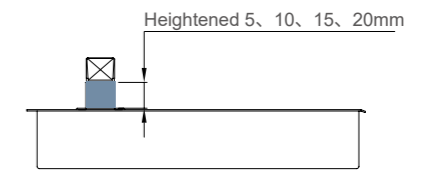
Application Performance



Adjustment diagram

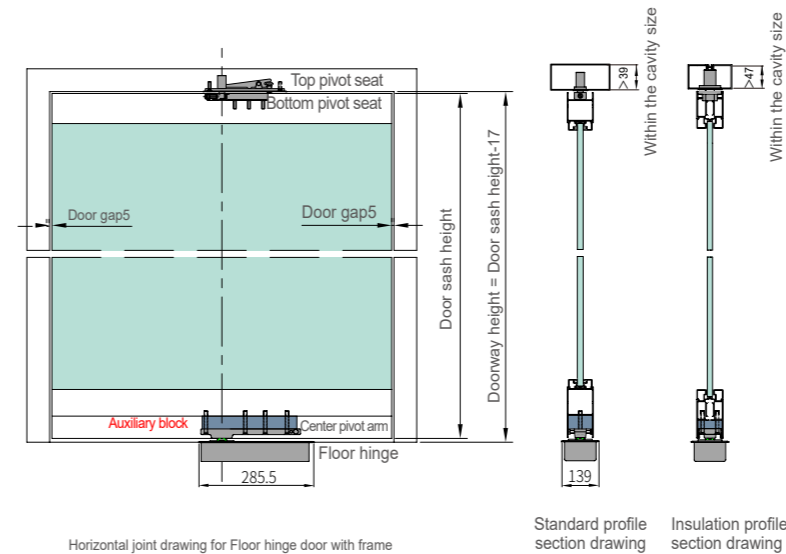


Spindle can be heightened (Please remark before ordering if required)

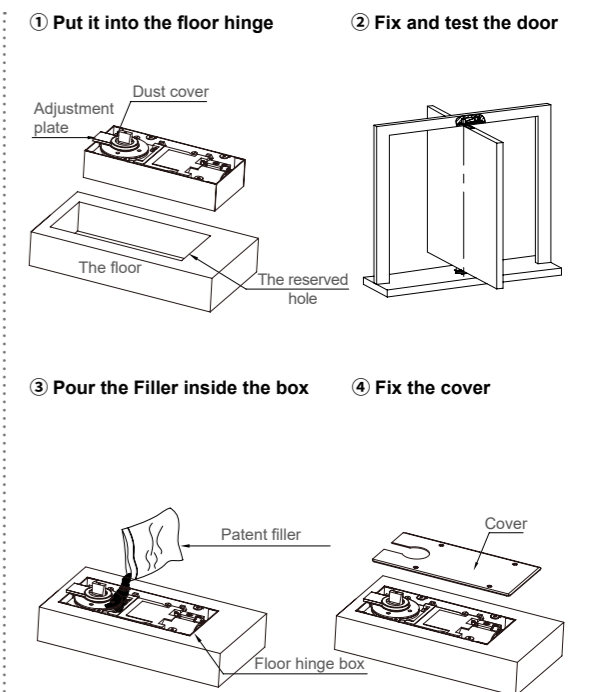


Standard configuration does not include the following accessories)	Product description	BDH20216
BDP30001 Top pivot seat	Positioning type 90° Hold	●
	Door width 650~750mm (Unilateral)	●
	Maximum Loading 150Kg	●
	Life cycle >500,000 Cycles	●
	Main Material Main body-Gray cast-iron; Cover plate-SS304	●
DX03 Bottom pivot seat	Speed control -15°C~40°C	●
	Suitable Temperature Two speed section	●
	Surface of the cover plate 400# Hairline	●
DY05 Center pivot arm	Max open degree 360°	●
	Structure of main body Single cylinder	●
	Cover plate thickness 2.0mm	●
	Spindle 14°	●
	6°	●

Installation Diagram and Product Drawing



Filler Application Instruction



Note: 1. Standard product has no auxiliary block, the thickness of auxiliary block is based on the cavity of profile.  
2. Insulation profile accessories need to be purchased separately, technical parameters as Page 57.



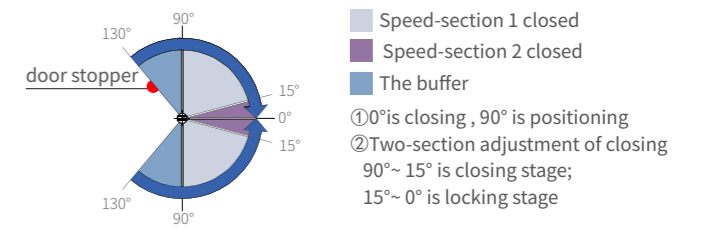
Three-dimensional 130° Single Two



**Functional Characteristic**

- Passed the test of industrial standard QB/T 2697.
- Passed the test of SGS & DGM.
- Passed the test of EN1154 standard of door closing detection.
- Originate the special filler with anti-rust, water proof, keep warm, insect prevention.
- It can be used on both left and right side door.
- Bidirection opening and the single side opening should be achieved by auxiliary method.
- Suit for wooden door, metal door, glass door, frame door.

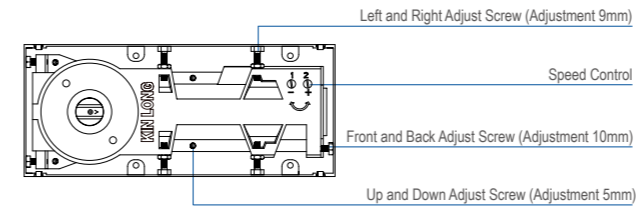
**Application Performance**



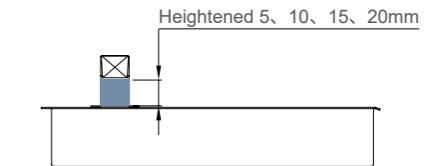
Graphics has 90° hold function.

To prevent the door from opening beyond the maximum angle, it is recommended to install the door stopper.

**Adjustment diagram**

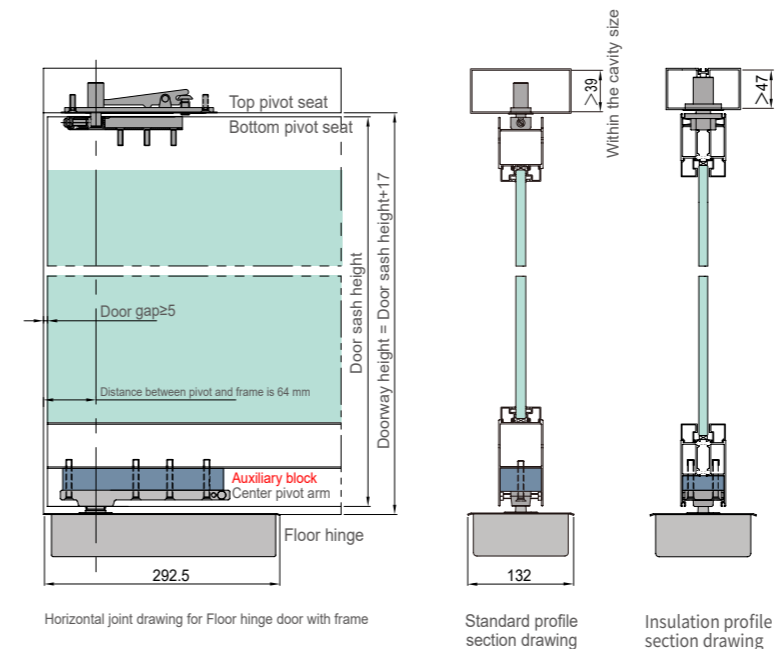


**Spindle can be heightened (Please remark before ordering if required)**



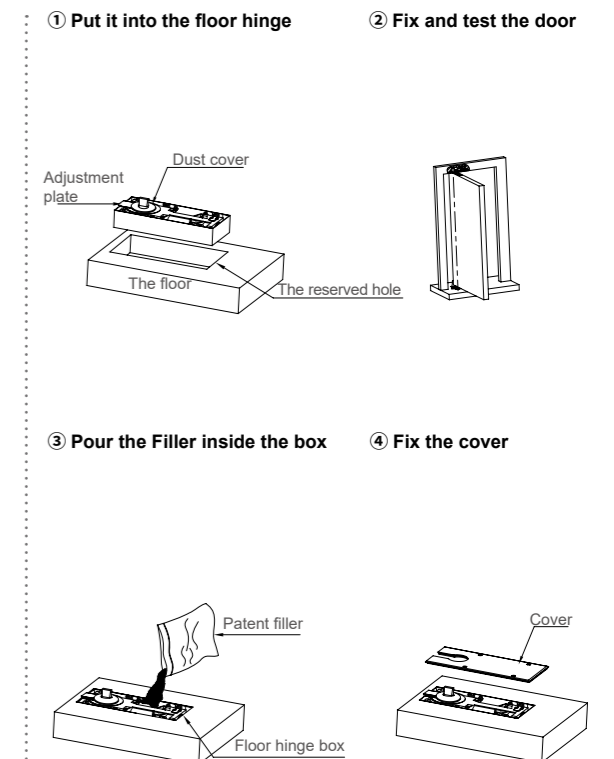
Standard configuration does not include the following accessories)		Product description	HD203	HDF203	HD204	HD205	HDF205
BDP30001 Top pivot seat 	Positioning type	90° hold	●		●	●	
		Non-hold		●			●
	Door width	650~1050mm	●	●			
		750~1100mm			●		
		800~1200mm				●	●
	Maximum Loading	100kg	●	●			
		115kg				●	●
	Life cycle	> 1,000,000 Cycles	●	●	●	●	●
		Main body-Gray cast-iron; Cover plate—Stainless steel	●	●	●	●	●
	Speed control	Two speed section	●	●	●	●	●
		Suitable Temperature	-15°C~40°C	●	●	●	●
	Surface of the cover plate	400#Hairline	●	●	●	●	●
		Max open degree	130°	●	●	●	●
	Structure of main body	Single cylinder	●	●	●	●	●
		Cover plate thickness	2.0mm	●	●	●	●
	Spindle	14°	●	●	●	●	●
		6°	●	●	●	●	●

**Installation Diagram and Product Drawing**



- Note: 1. Standard product has no auxiliary block, the thickness of auxiliary block is based on the cavity of profile.  
2. Insulation profile accessories need to be purchased separately, technical parameters as Page 57.
- ◆ When it is used for the wooden door, metal door, frame door, please select the standard accessories.
  - ◆ When it is used for the frameless glass door, please select floor hinge without accessories and the pivot hinge hardware (Drawing configuration is required).

**Filler Application Instruction**



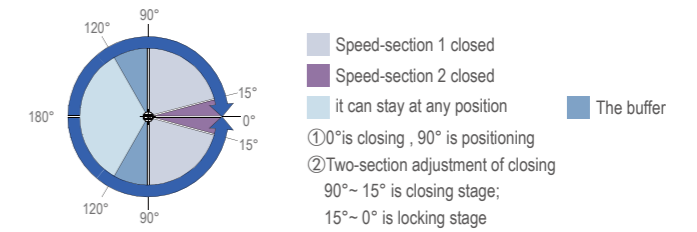
Three-dimensional 180° Single Two



### Functional Characteristic

- Passed the test of industrial standard QB/T 2697.
- Passed the test of SGS & DGM.
- Passed the test of EN1154 standard of door closing detection.
- Originate the special filler with anti-rust, water proof, keep warm, insect prevention.
- It can be used on both left and right side door.
- Bidirection opening and the single side opening should be achieved by auxiliary method.
- Suit for wooden door, metal door, glass door, frame door.

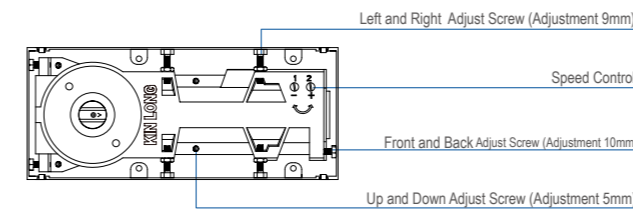
### Application Performance



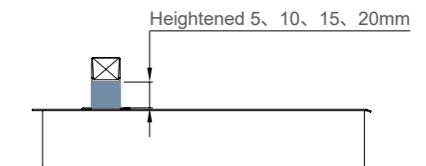
Graphics has 90°hold function.

To prevent the door from opening beyond the maximum angle, it is recommended to install the door stopper.

### Adjustment diagram

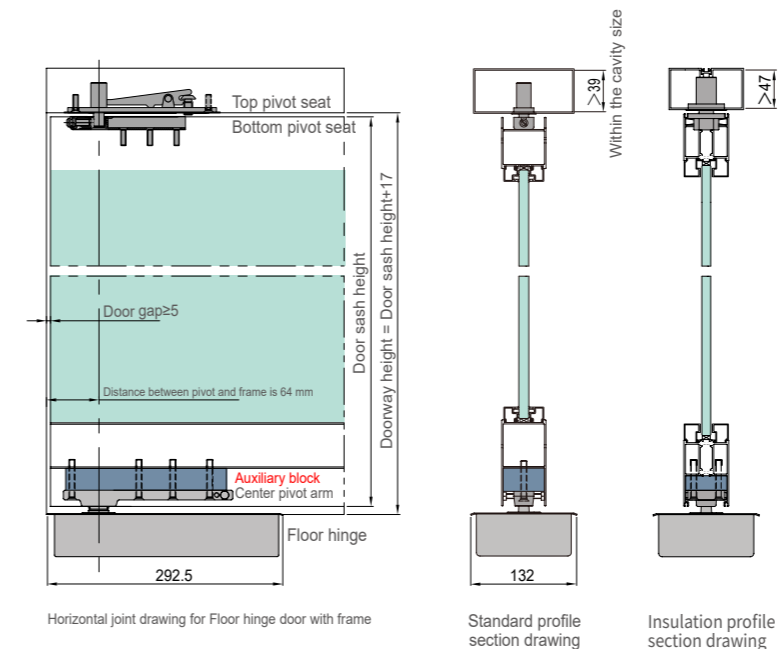


Spindle can be heightened(Please remark before ordering if required)



Standard configuration does not include the following accessories)	Product description	HD304	HD305
BDP30001 Top pivot seat	Positioning type	90°/120°-180°hold	● ●
	Door width	650~1050mm 800~1200mm	● ●
	Maximum Loading	100kg 130kg	● ●
	Life cycle	>1,000,000 Cycles	● ●
	Main Material	Main body-Gray cast-iron; Cover plate—Stainless steel	● ●
	Speed control	Two speed section	● ●
	Suitable Temperature	-15°C~40°C	● ●
	Surface of the cover plate	400#Hairline	● ●
	Max open degree	180°	● ●
	Structure of main body	Single cylinder	● ●
	Cover plate thickness	2.0mm	● ●
	Spindle	14° 6°	● ●

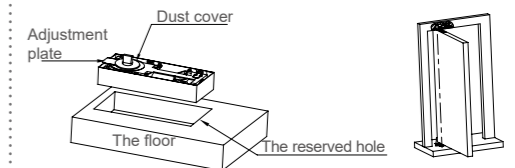
### Installation Diagram and Product Drawing



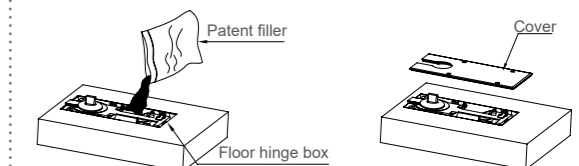
- Note :1.Standard product has no auxiliaryblock, the thickness of auxiliary block is based on the cavity of profile.  
2.Insulation profile accessories need to be purchased separately, technical parameters as Page 57.
- ◆When it is used for the wooden door, metal door, frame door, please select the standard accessories.
  - ◆When it is used for the frameless glass door, please select floor hinge without accessories and the pivot hinge hardware (Drawing configuration is required).

### Filler Application Instruction

- Put it into the floor hinge
- Fix and test the door



- Pour the Filler inside the box
- Fix the cover



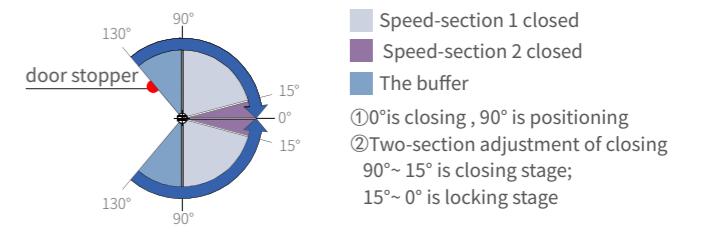
Three-dimensional 130° Double Two



### Functional Characteristic

- Passed the test of industrial standard QB/T 2697.
- Passed the test of SGS & DGM.
- Passed the test of EN1154 standard of door closing detection.
- Originate the special filler with anti-rust, water proof, keep warm, insect prevention.
- It can be used on both left and right side door.
- Bidirection opening and the single side opening should be achieved by auxiliary method.
- Suit for wooden door, metal door, glass door, frame door.

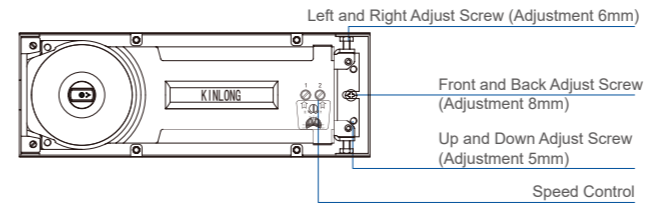
### Application Performance



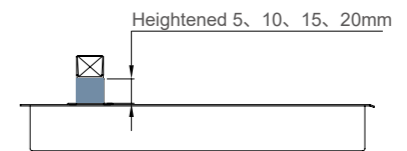
Graphics has 90°hold function.

To prevent the door from opening beyond the maximum angle, it is recommended to install the door stopper.

### Adjustment diagram

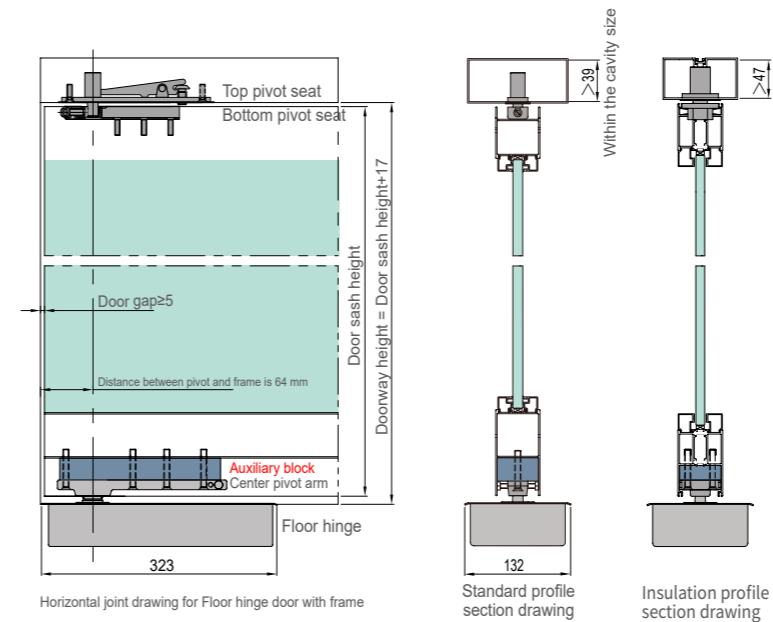


### Spindle can be heightened(Please remark before ordering if required)



Standard configuration does not include the following accessories)	Product description	HD403	HD405	HD406	HDF406
BDP30001 Top pivot seat	Positioning type	●	●	●	●
	Non-hold				●
DX03 Bottom pivot seat	Door width	●	●	●	●
	650~1050mm	●			
	800~1200mm		●		
DY05 Center pivot arm	Maximum Loading	●	●	●	●
	100kg	●			
	130kg		●		
Main Material	Life cycle	●	●	●	●
	>1,000,000 Cycles	●	●	●	●
	Speed control	●	●	●	●
	Two speed section	●	●	●	●
	Suitable Temperature	●	●	●	●
	-15°C~40°C	●	●	●	●
	Surface of the cover plate	●	●	●	●
	400#Hairline	●	●	●	●
	Max open degree	●	●	●	●
	130°	●	●	●	●
Structure of main body	Double-cylinder	●	●	●	●
	Cover plate thickness	●	●	●	●
2.0mm	●	●	●	●	
Spindle	14°	●	●	●	●
	6°	●	●	●	●

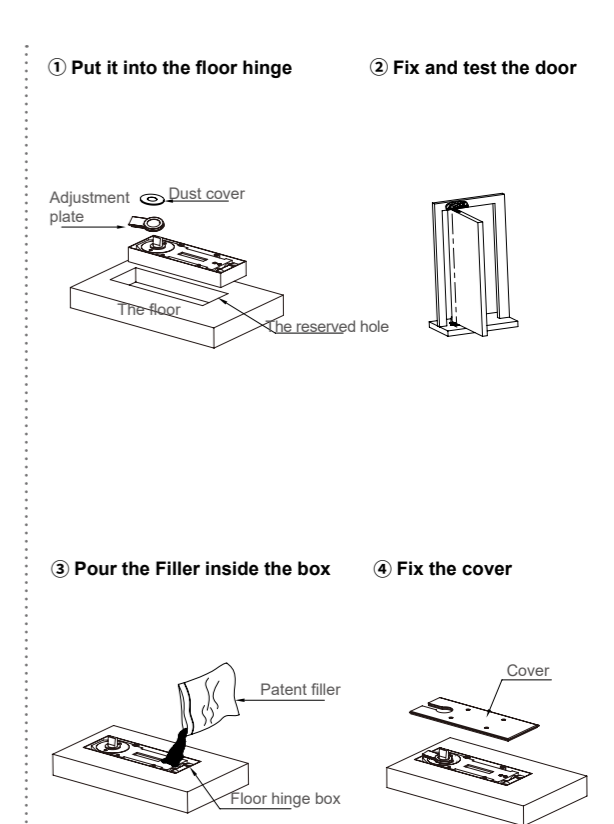
### Installation Diagram and Product Drawing



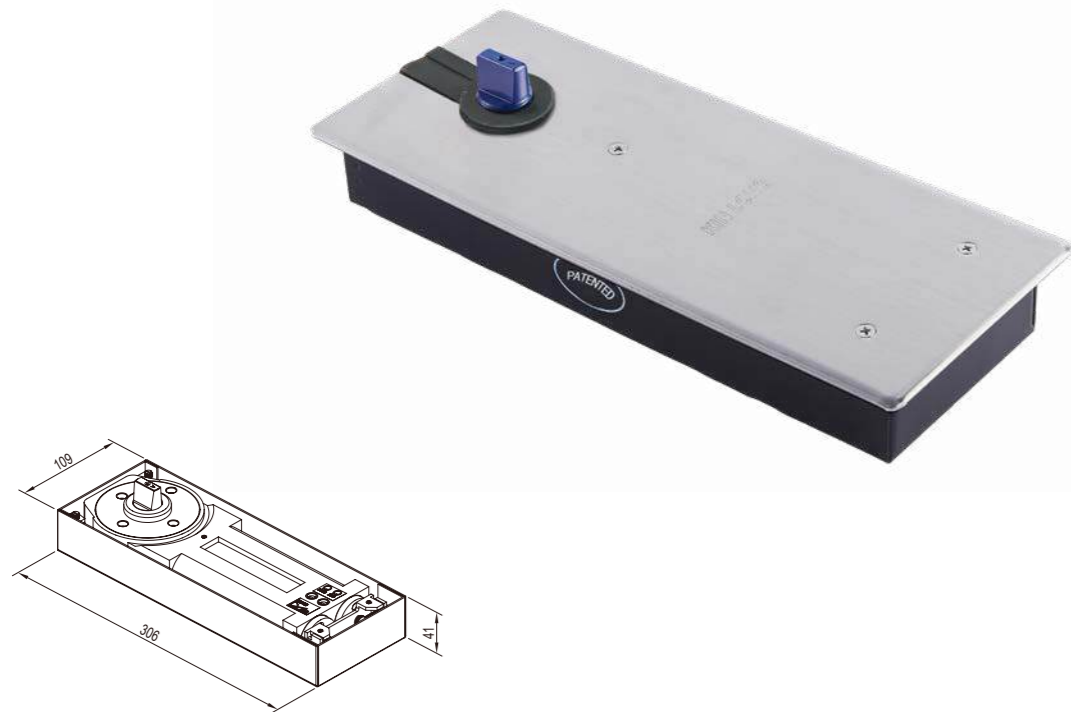
Note :1. Standard product has no auxiliary block, the thickness of auxiliary block is based on the cavity of profile.  
2. Insulation profile accessories need to be purchased separately, technical parameters as Page 57.

- ◆When it is used for the wooden door, metal door, frame door, please select the standard accessories.
- ◆When it is used for the frameless glass door, please select floor hinge without accessories and the pivot hinge hardware (Drawing configuration is required).

### Filler Application Instruction



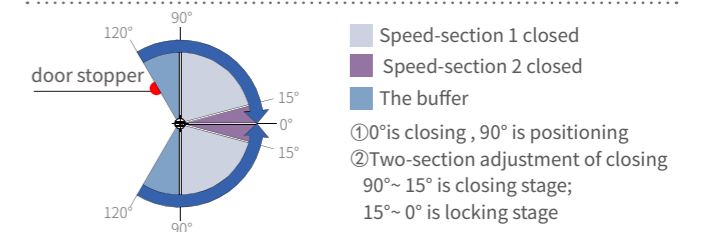
Three-dimensional 120° Double Two



Functional Characteristic

- Passed the test of industrial standard QB/T 2697.
- Passed the test of SGS & DGM.
- Passed the test of EN1154 standard of door closing detection.
- Originate the special filler with anti-rust, water proof, keep warm, insect prevention.
- It can be used on both left and right side door.
- Bidirection opening and the single side opening should be achieved by auxiliary method.
- Suit for wooden door, metal door, glass door, frame door.

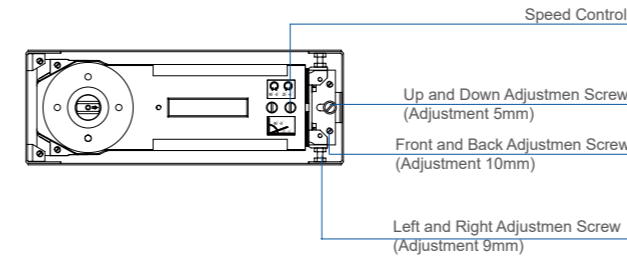
Application Performance



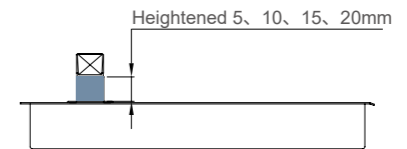
Graphics has 90°hold function.

To prevent the door from opening beyond the maximum angle, it is recommended to install the door stopper.

Adjustment diagram

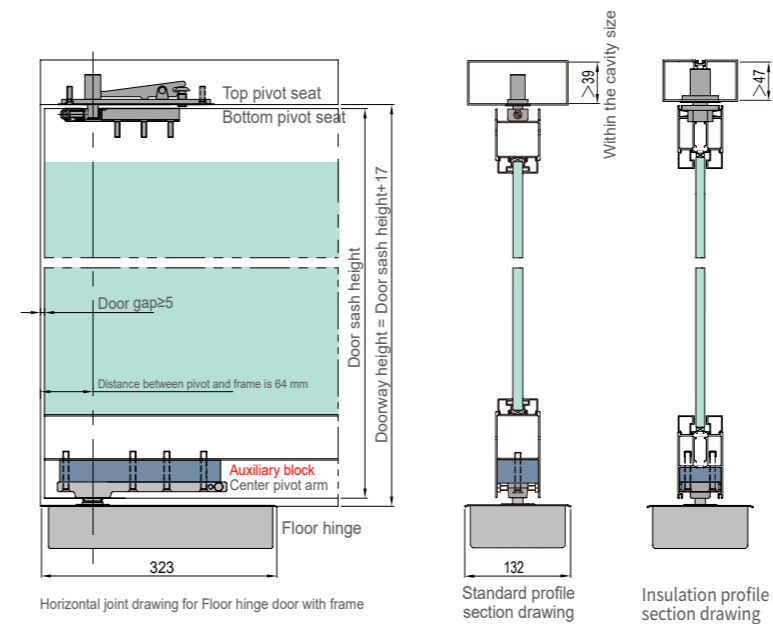


Spindle can be heightened(Please remark before ordering if required)



Standard configuration does not include the following accessories)	Product description	BDH40115-HW
BDP30001 Top pivot seat	Positioning type 90°hold	●
	Door width 650~1050mm	●
	Maximum Loading 100kg	●
	Life cycle >500,000 Cycles	●
	Main Material Main body-Gray cast-iron; Cover plate—Stainless steel	●
DX03 Bottom pivot seat	Speed control Two speed section	●
	Suitable Temperature -15°C~40°C	●
	Surface of the cover plate 400#Hairline	●
	Max open degree 120°	●
DY05 Center pivot arm	Structure of main body Double cylinder	●
	Cover plate thickness 1.2mm	●
	Spindle 14°	●
	6°	●

Installation Diagram and Product Drawing

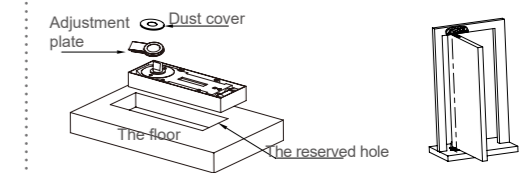


Note :1. Standard product has no auxiliary block, the thickness of auxiliary block is based on the cavity of profile.  
2. Insulation profile accessories need to be purchased separately, technical parameters as Page 57.

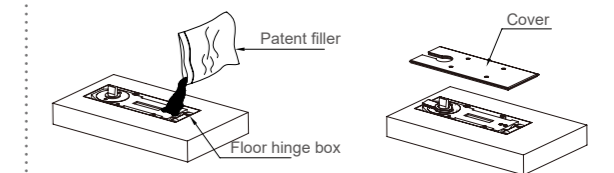
- ◆When it is used for the wooden door, metal door, frame door, please select the standard accessories.
- ◆When it is used for the frameless glass door, please select floor hinge without accessories and the pivot hinge hardware (Drawing configuration is required).

Filler Application Instruction

- Put it into the floor hinge
- Fix and test the door

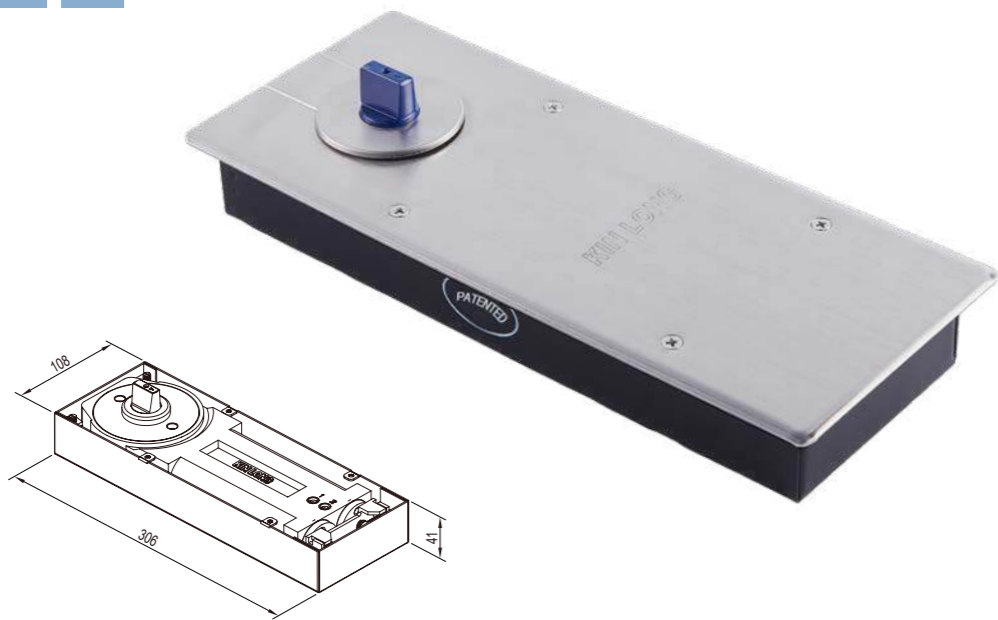


- Pour the Filler inside the box
- Fix the cover





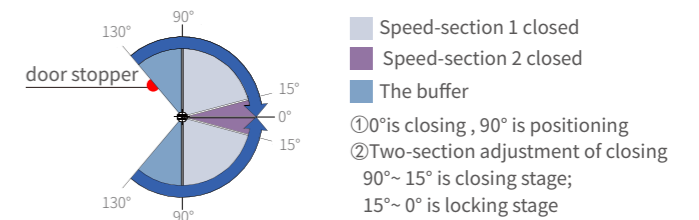
Three-dimensional 130° Double Two



Functional Characteristic

- Passed the test of industrial standard QB/T 2697.
- Passed the test of SGS & DGM.
- Passed the test of EN1154 standard of door closing detection.
- Originate the special filler with anti-rust, water proof, keep warm, insect prevention.
- It can be used on both left and right side door.
- Bidirection opening and the single side opening should be achieved by auxiliary method.
- Suit for wooden door, metal door, glass door, frame door.

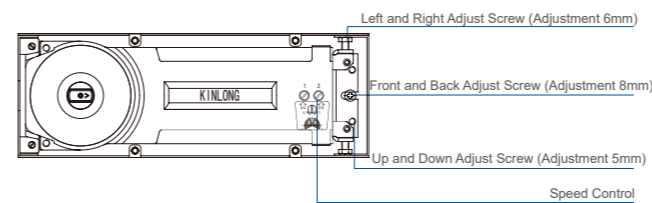
Application Performance



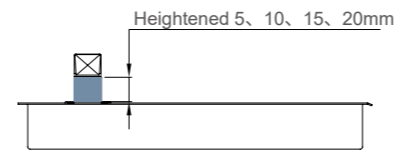
Graphics has 90° hold function.

To prevent the door from opening beyond the maximum angle, it is recommended to install the door stopper.

Installation Diagram and Product Drawing

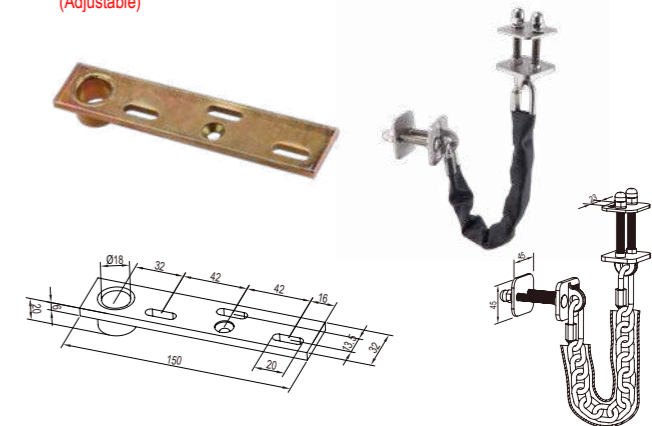


Spindle can be heightened (Please remark before ordering if required)



Selective accessories, purchase separately

BDP40002 Bottom pivot seat (Adjustable)      BDP10002 Safety chain

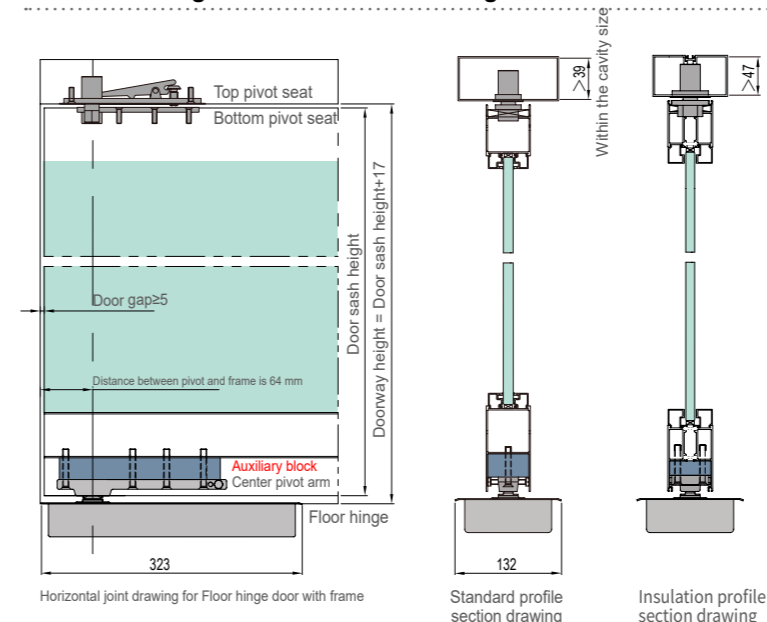


Installation location: Installed at the top of the door sash and door frame  
Applicable door weight: 65~400kg  
Applicable door sash thickness is 40~90mm  
Applicable door frame thickness is 70~130mm

New

Standard configuration does not include the following accessories)	Product description	BDH40017	BDH40007	HD407	BDH40008
BDP40001 Top pivot seat 	Positioning type	●	●	●	●
	Door width	●	●	●	●
DX04 Bottom pivot seat 	Maximum Loading	●	●	●	●
	Life cycle	●	●	●	●
DY05 Center pivot arm 	Main Material	●	●	●	●
	Speed control	●	●	●	●
Structure of main body	Temperature	●	●	●	●
	Surface of the cover plate	●	●	●	●
Cover plate thickness	Max open degree	●	●	●	●
	Spindle	●	●	●	●

Installation Diagram and Product Drawing

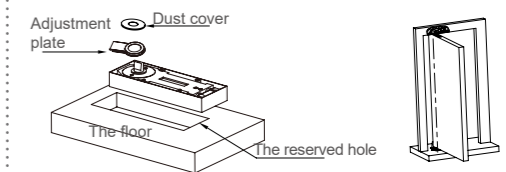


Note: 1. Standard product has no auxiliary block, the thickness of auxiliary block is based on the cavity of profile.  
2. Insulation profile accessories need to be purchased separately, technical parameters as Page 57.

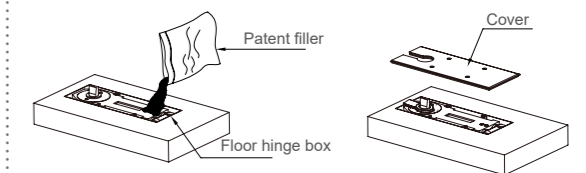
- ◆ When it is used for the wooden door, metal door, frame door, please select the standard accessories.
- ◆ When it is used for the frameless glass door, please select floor hinge without accessories and the pivot hinge hardware (Drawing configuration is required).

Filler Application Instruction

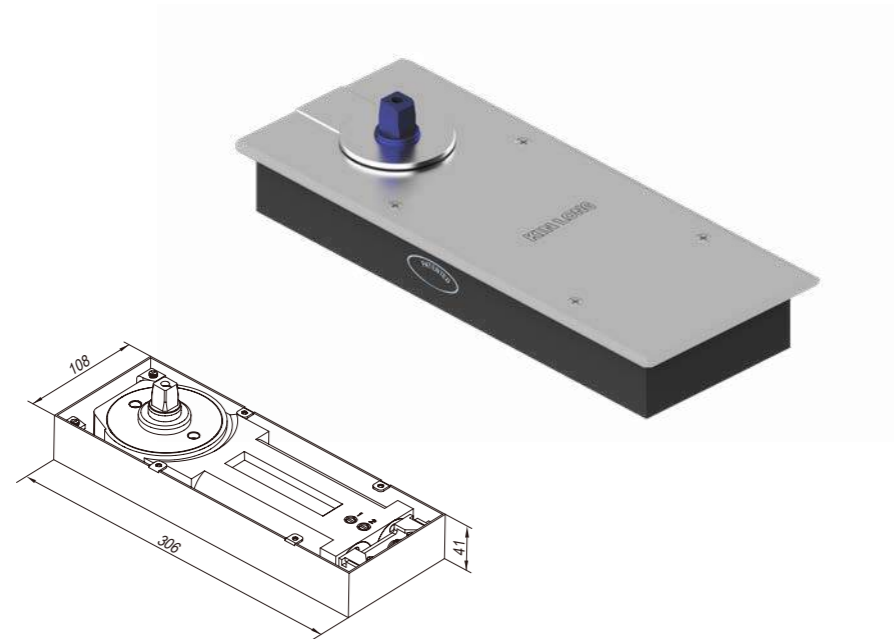
- Put it into the floor hinge
- Fix and test the door



- Pour the Filler inside the box
- Fix the cover



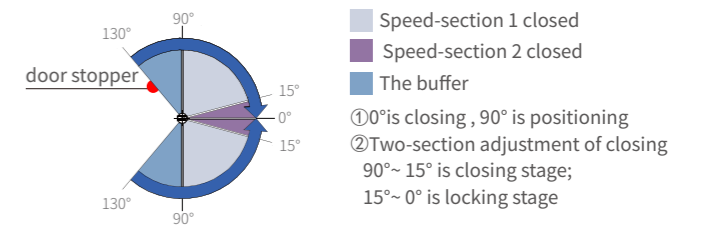
Three-dimensional 130° Single Two



Functional Characteristic

- Passed the test of industrial standard QB/T 2697.
- Passed the test of SGS & DGM.
- Passed the test of EN1154 standard of door closing detection.
- Originate the special filler with anti-rust, water proof, keep warm, insect prevention.
- It can be used on both left and right side door.
- Bidirection opening and the single side opening should be achieved by auxiliary method.
- Suit for wooden door, metal door, glass door, frame door.

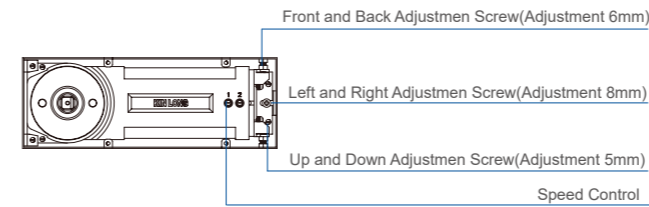
Application Performance



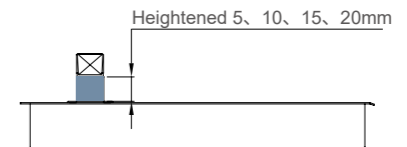
Graphics has 90° hold function.

To prevent the door from opening beyond the maximum angle, it is recommended to install the door stopper.

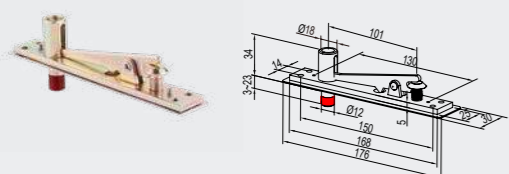
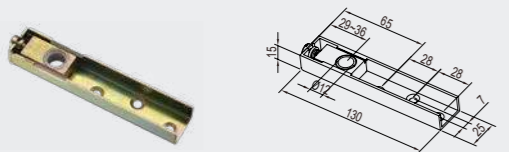
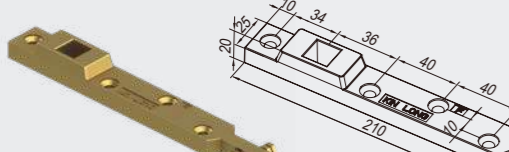
Adjustment diagram



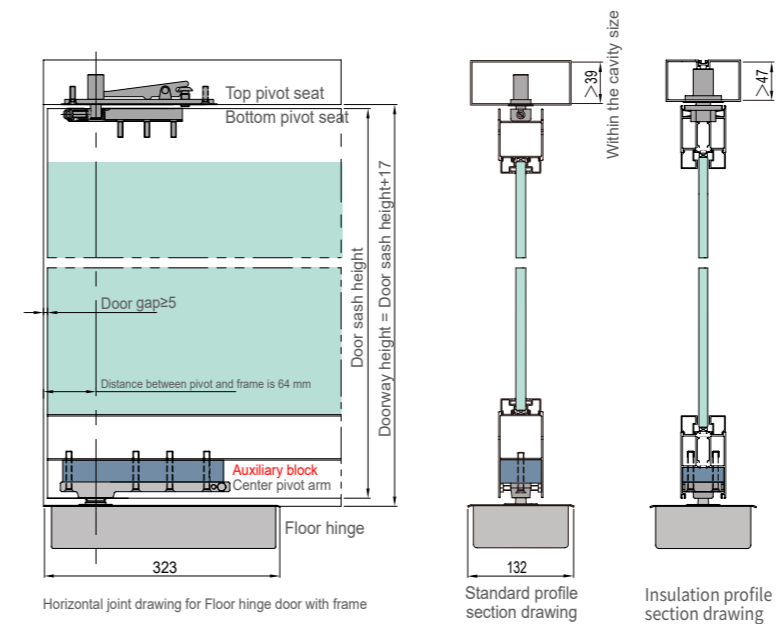
Spindle can be heightened (Please remark before ordering if required)



New

Standard configuration does not include the following accessories)	Product description	BDH40216	BDH40206
BDP30001 Top pivot seat 	Positioning type	90° Hold	●
		Non-hold	●
DX03 Bottom pivot seat 	Door width	1100~1300mm	●
	Maximum Loading	150kg	●
BDP50303 Center pivot arm 	Life cycle	>50万次	●
	Main Material	Main body-Gray cast-iron; CoverW plate—Stainless steel	●
	Speed control	One speed section	●
	Suitable Temperature	-15°C~40°C	●
	Surface of the cover plate	400#Hairline	●
	Max open degree	130°	●
	Structure of main body	Single cylinder	●
	Cover plate thickness	1.2mm	●
	Spindle	Square Shaft 9°	●

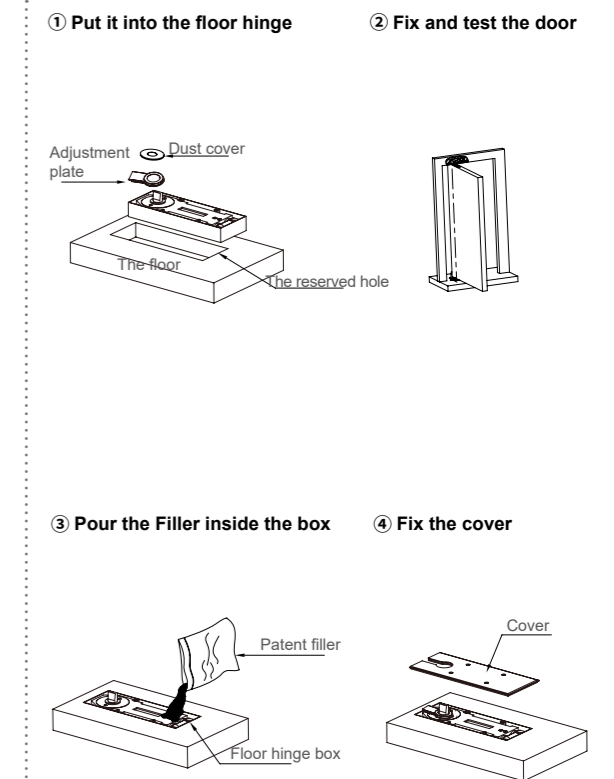
Installation Diagram and Product Drawing



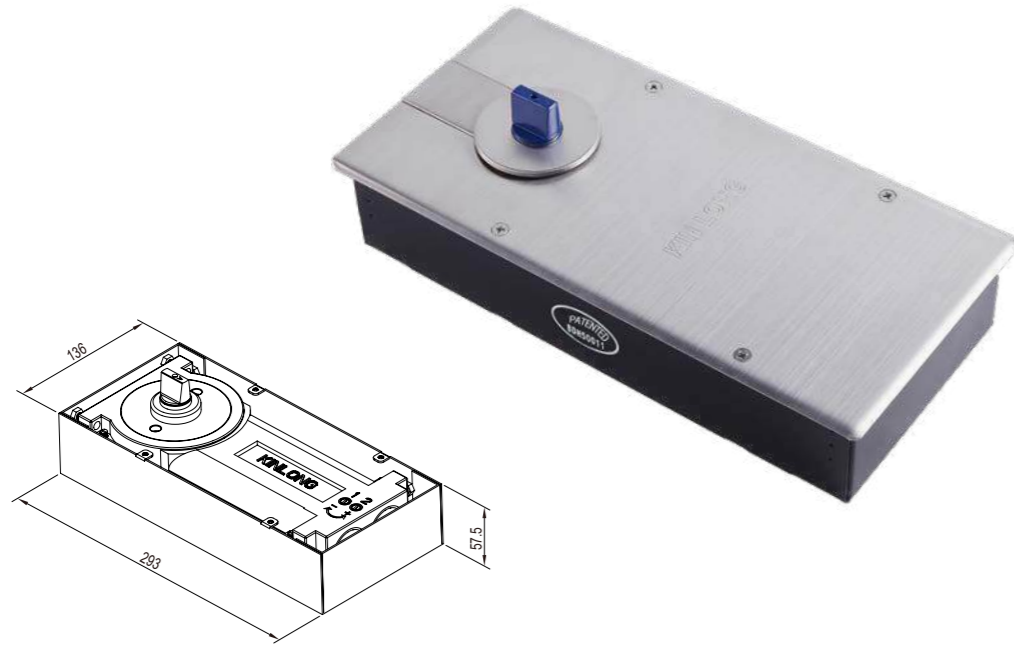
Note: 1. Standard product has no auxiliary block, the thickness of auxiliary block is based on the cavity of profile.  
 2. Insulation profile accessories need to be purchased separately, technical parameters as Page 57.

- ◆ When it is used for the wooden door, metal door, frame door, please select the standard accessories.
- ◆ When it is used for the frameless glass door, please select floor hinge without accessories and the pivot hinge hardware (Drawing configuration is required).

Filler Application Instruction



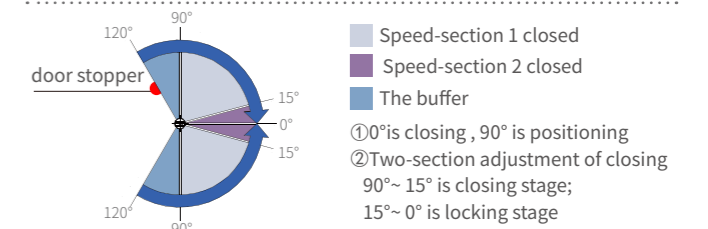
Three-dimensional Heavy duty 120° Double Two



Functional Characteristic

- Passed the test of industrial standard QB/T 2697.
- Passed the test of SGS & DGM.
- Passed the test of EN1154 standard of door closing detection.
- Originate the special filler with anti-rust, water proof, keep warm, insect prevention.
- It can be used on both left and right side door.
- Bidirection opening and the single side opening should be achieved by auxiliary method.
- Suit for wooden door, metal door, glass door, frame door.

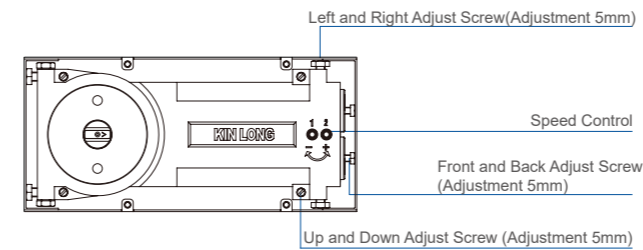
Application Performance



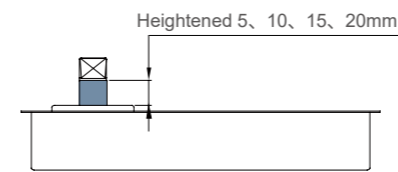
Graphics has 90° hold function.

To prevent the door from opening beyond the maximum angle, it is recommended to install the door stopper.

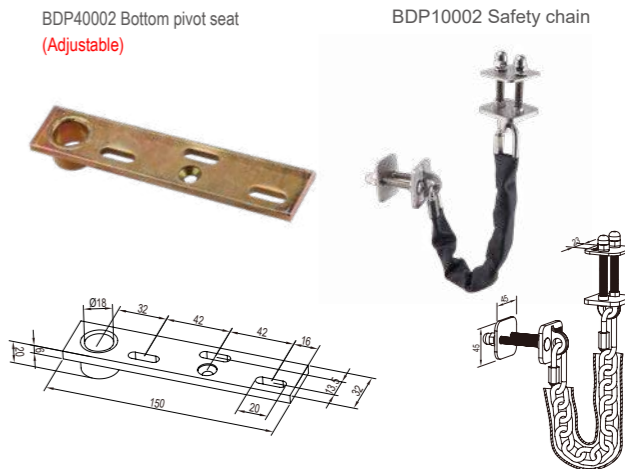
Installation Diagram and Product Drawing



Spindle can be heightened (Please remark before ordering if required)



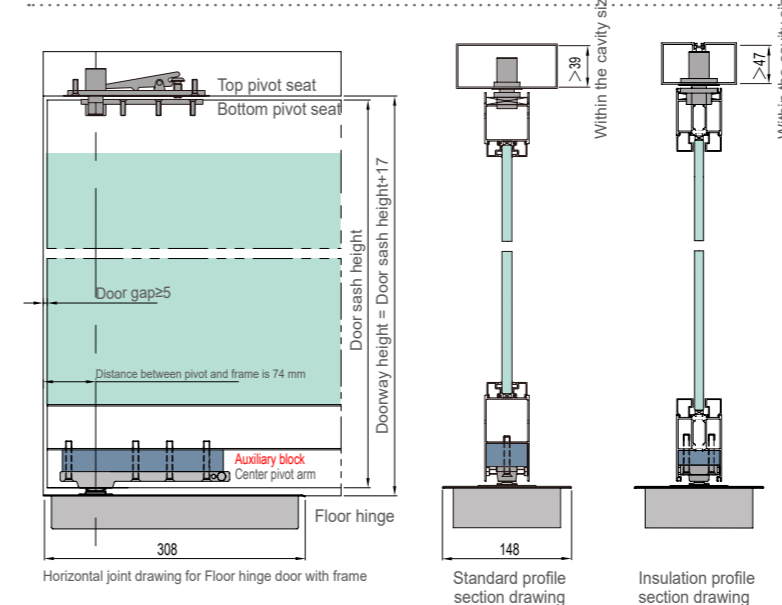
Selective accessories, purchase separately



Installation location: Installed at the top of the door sash and door frame  
Applicable door weight: 65~400kg  
Applicable door sash thickness is 40~90mm  
Applicable door frame thickness is 70~130mm

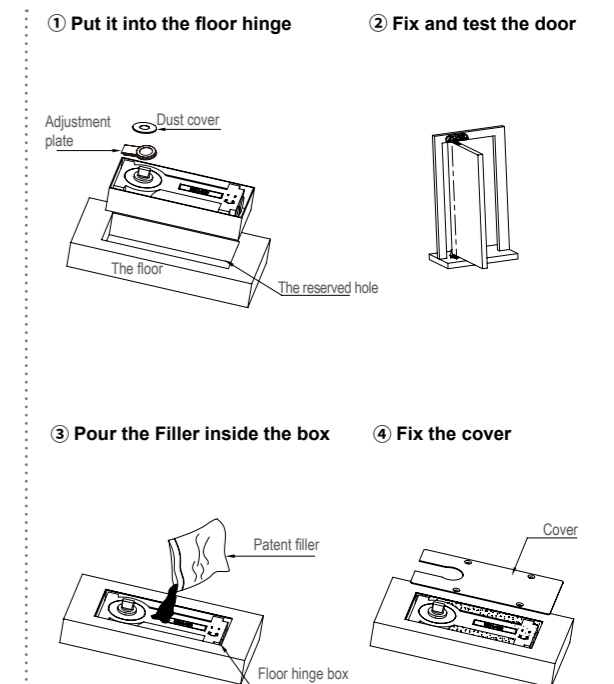
Standard configuration does not include the following accessories)	Product description	BDH50011	BDH50001
BDP40001 Top pivot seat	Positioning type	●	
	Non-hold		●
	Door width	●	●
	Maximum Loading	●	●
	Life cycle	●	●
	Main Material	●	●
	Speed control	●	●
	Suitable Temperature	●	●
	Surface of the cover plate	●	●
	Max open degree	●	●
	Structure of main body	●	●
	Cover plate thickness	●	●
	Spindle	●	●

Installation Diagram and Product Drawing

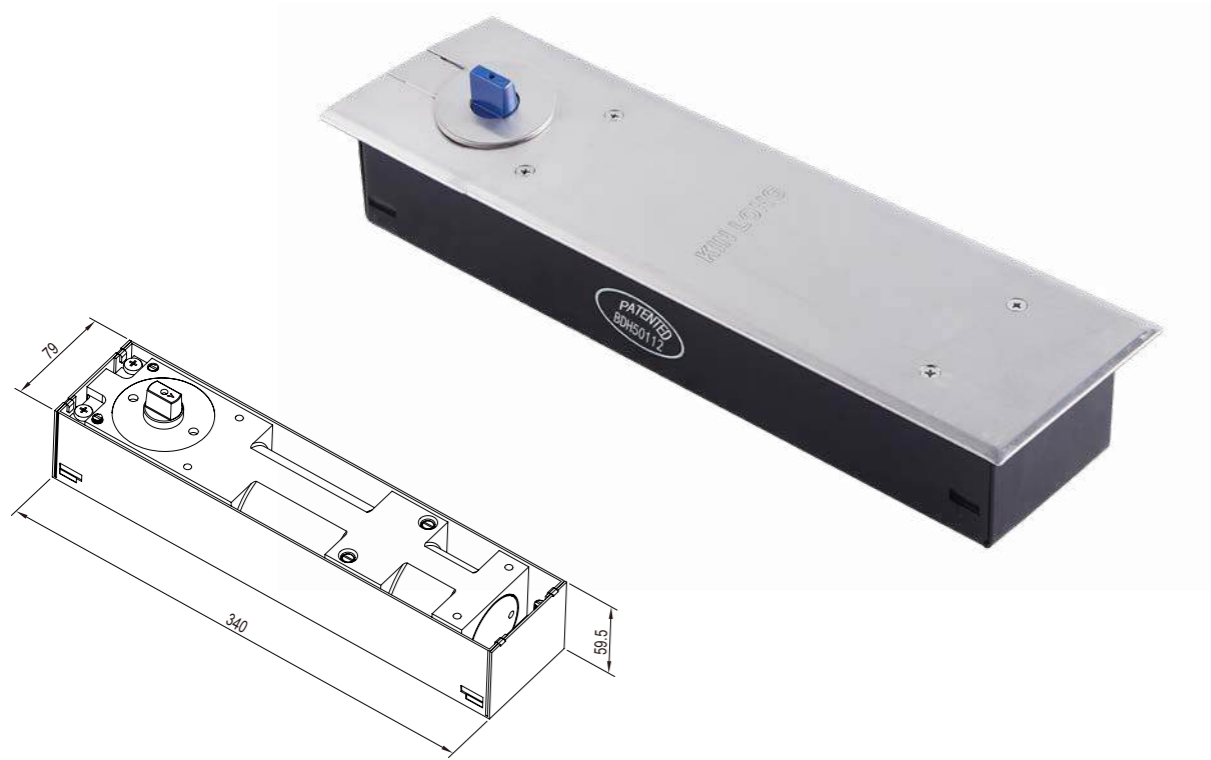


Note :1. Standard product has no auxiliary block, the thickness of auxiliary block is based on the cavity of profile.  
2. Insulation profile accessories need to be purchased separately, technical parameters as Page 57.  
◆ When it is used for the wooden door, metal door, frame door, please select the standard accessories.  
◆ When it is used for the frameless glass door, please select floor hinge without accessories and the pivot hinge hardware (Drawing configuration is required).

Filler Application Instruction



- Three-dimensional
- Heavy duty
- Ultra narrow
- 360°
- Single
- Two

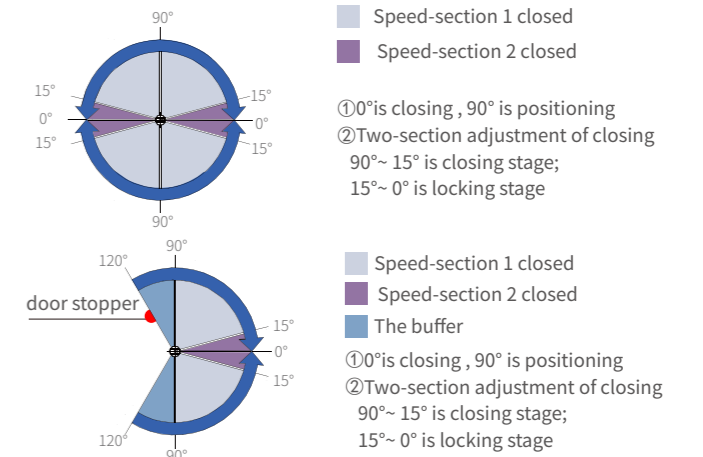


Standard configuration	Product description	BDH50112
BDP40001 Top pivot seat	Positioning type	90°hold
	Door width	1100~1250mm(Unilateral)
	Maximum Loading	300kg
	Life cycle	>500,000 Cycles
	Main Material	Main body-Gray cast-iron; Cover plate—SS304
	Speed control	Two speed section
	Suitable Temperature	-15°C~40°C
	Surface of the cover plate	400#Hairline
	Max open degree	360°
	Structure of main body	Single cylinder
	Cover plate thickness	2.0mm
	Spindle	/
		6°

### Functional Characteristic

- Passed the test of industrial standard QB/T 2697.
- Passed the test of SGS & DGM.
- Passed the test of EN1154 standard of door closing detection.
- Originate the special filler with anti-rust, water proof, keep warm, insect prevention.
- Center installation (360° rotation), side installation can be realized
- It can be used on both left and right side door.
- Bidirection opening and the single side opening should be achieved by auxiliary method.
- Suit for wooden door, metal door, glass door, frame door.

### Application Performance

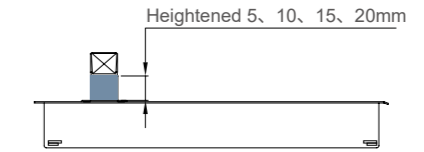
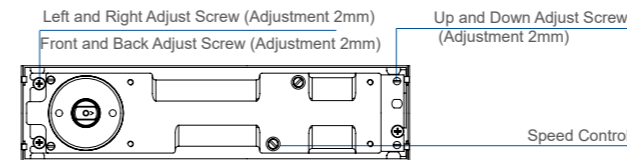


Graphics has 90°hold function.

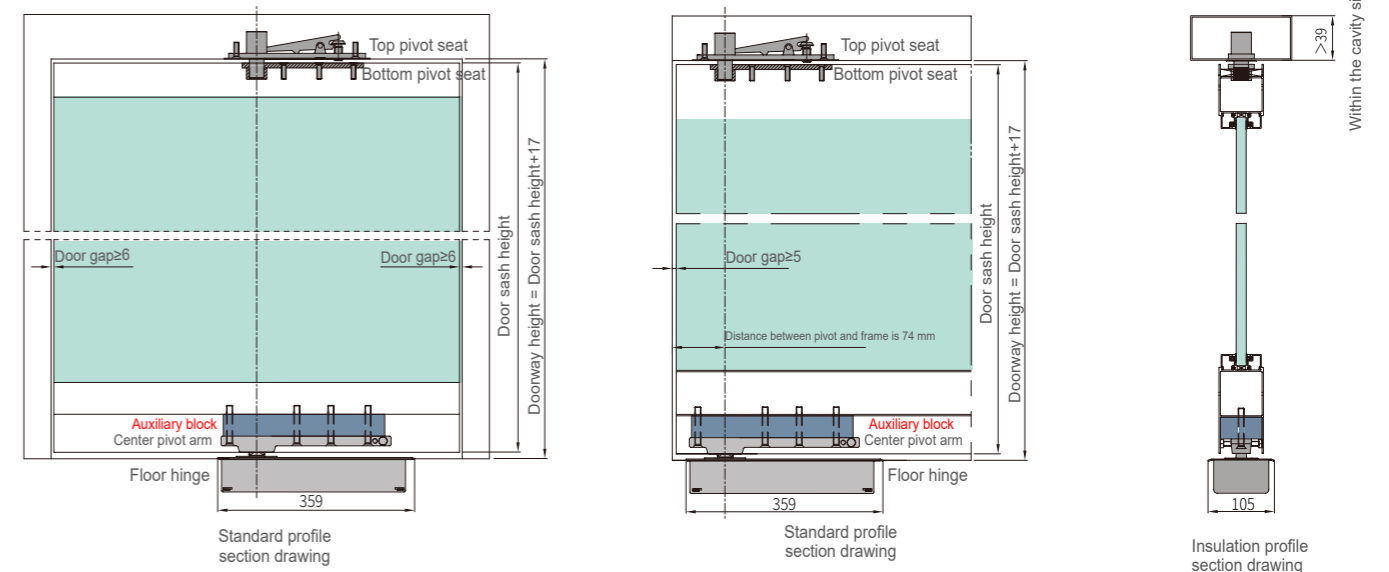
To prevent the door from opening beyond the maximum angle, it is recommended to install the door stopper.

Spindle can be heightened(Please remark before ordering if required)

### Installation Diagram and Product Drawing



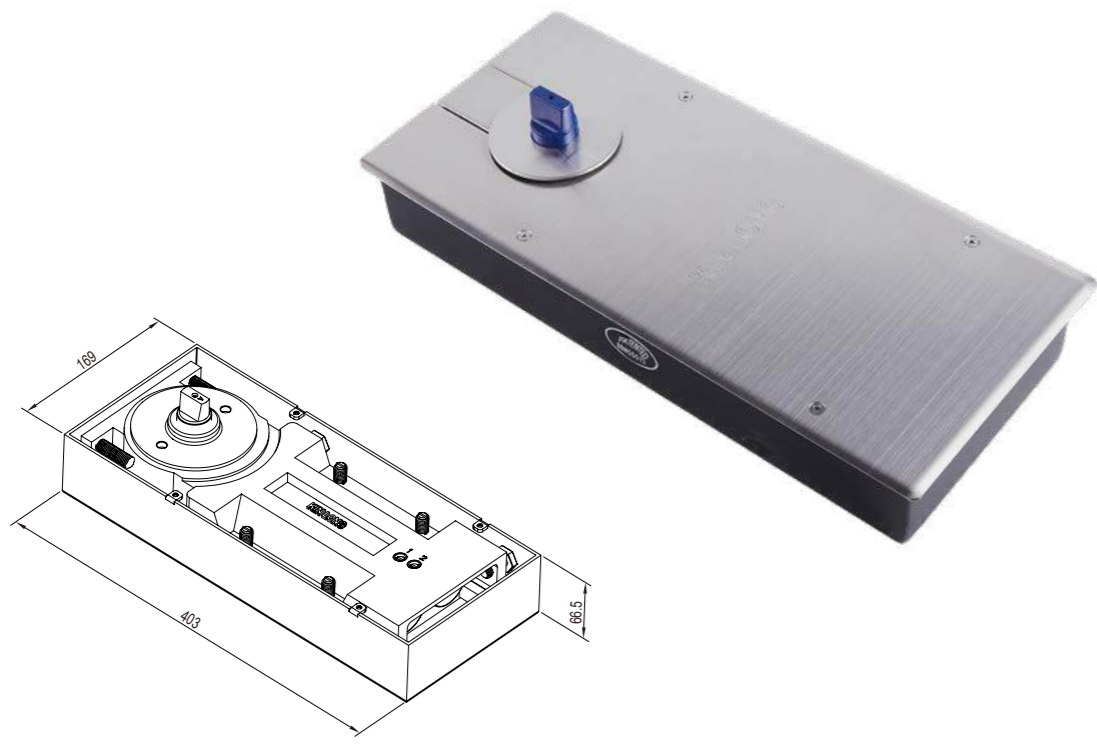
### Installation Diagram and Product Drawing



Note : 1.Standard product has no auxiliaryblock, the thickness of auxiliary block is based on the cavity of profile.  
 2.Insulation profile accessories need to be purchased separately, technical parameters as Page 57.



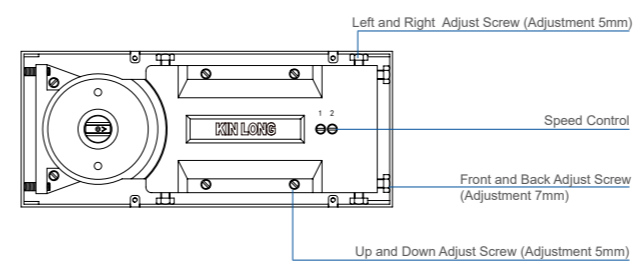
Three-dimensional Heavy duty 120° Double Two



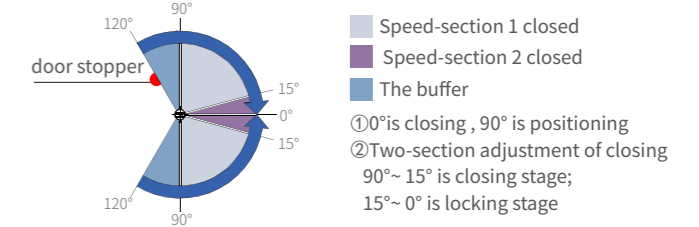
Functional Characteristic

- Passed the test of industrial standard QB/T 2697.
- Passed the test of SGS & DGM.
- Passed the test of EN1154 standard of door closing detection.
- Originate the special filler with anti-rust, water proof, keep warm, insect prevention.
- It can be used on both left and right side door.
- Bidirection opening and the single side opening should be achieved by auxiliary method.
- Suit for wooden door, metal door, glass door, frame door.

Installation Diagram and Product Drawing

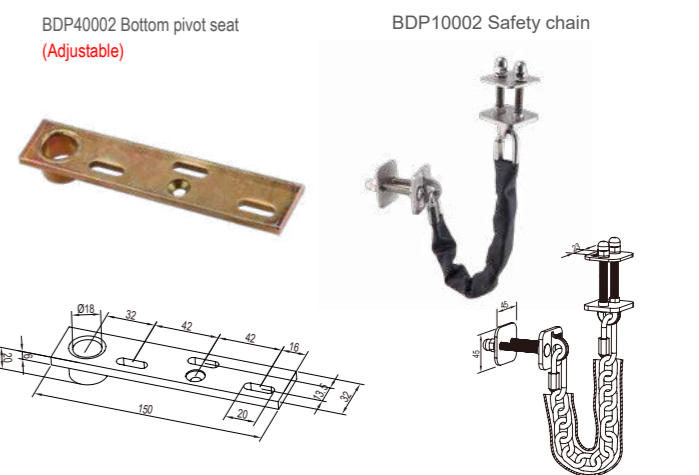


Application Performance



Graphics has 90°hold function. To prevent the door from opening beyond the maximum angle, it is recommended to install the door stopper.

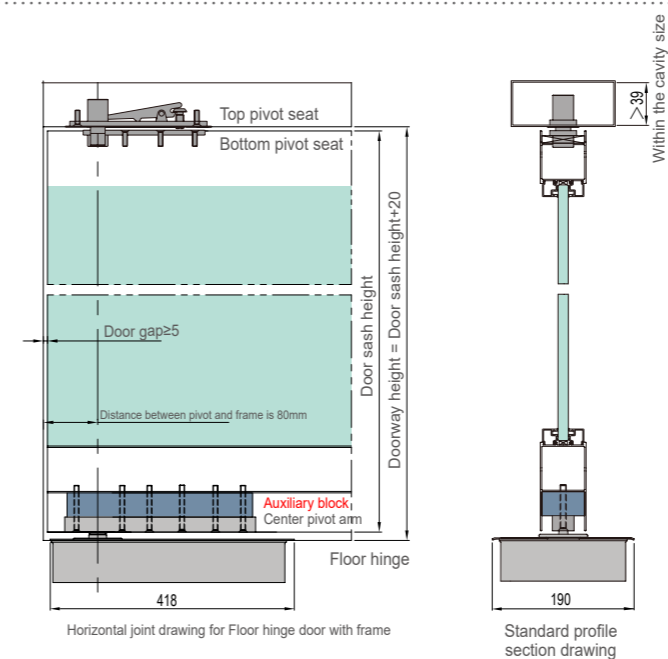
Selective accessories, purchase separately



Installation location: Installed at the top of the door sash and door frame  
Applicable door weight: 65~400kg  
Applicable door sash thickness is 40~90mm  
Applicable door frame thickness is 70~130mm

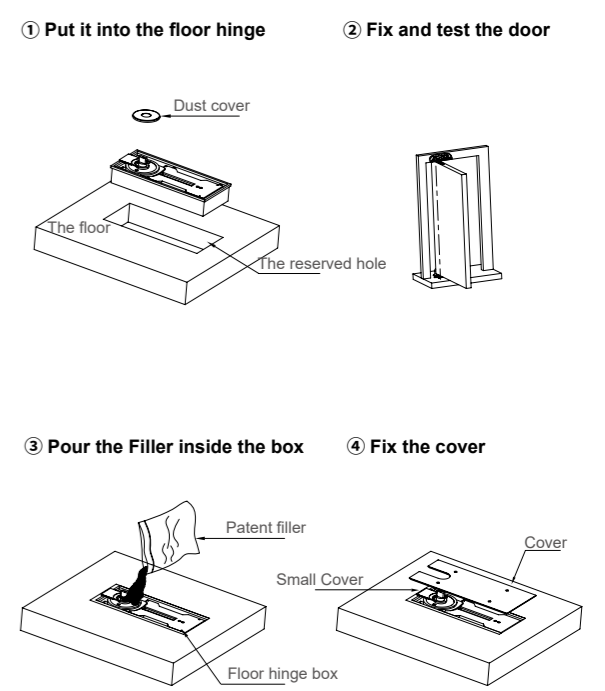
Standard configuration does not include the following accessories)	Product description	BDH50013	BDH50014
BDP40001 Top pivot seat	Positioning type 90°	●	●
	Door width 1200~1500mm	●	●
	Maximum Door high 3800mm, 4200mm	●	●
	Maximum Loading 350kg, 400kg	●	●
	Life cycle >500,000 Cycles	●	●
	Main Material Main body-Gray cast-iron; Cover plate—SS304	●	●
	Speed control Two speed section	●	●
	Suitable Temperature -15°C~40°C	●	●
	Surface of the cover plate 400#Hairline	●	●
	Max open degree 120°	●	●
	Structure of main body Double-cylinde	●	●
	Cover plate thickness 2.0mm	●	●
	Spindle 14°	●	●

Installation Diagram and Product Drawing

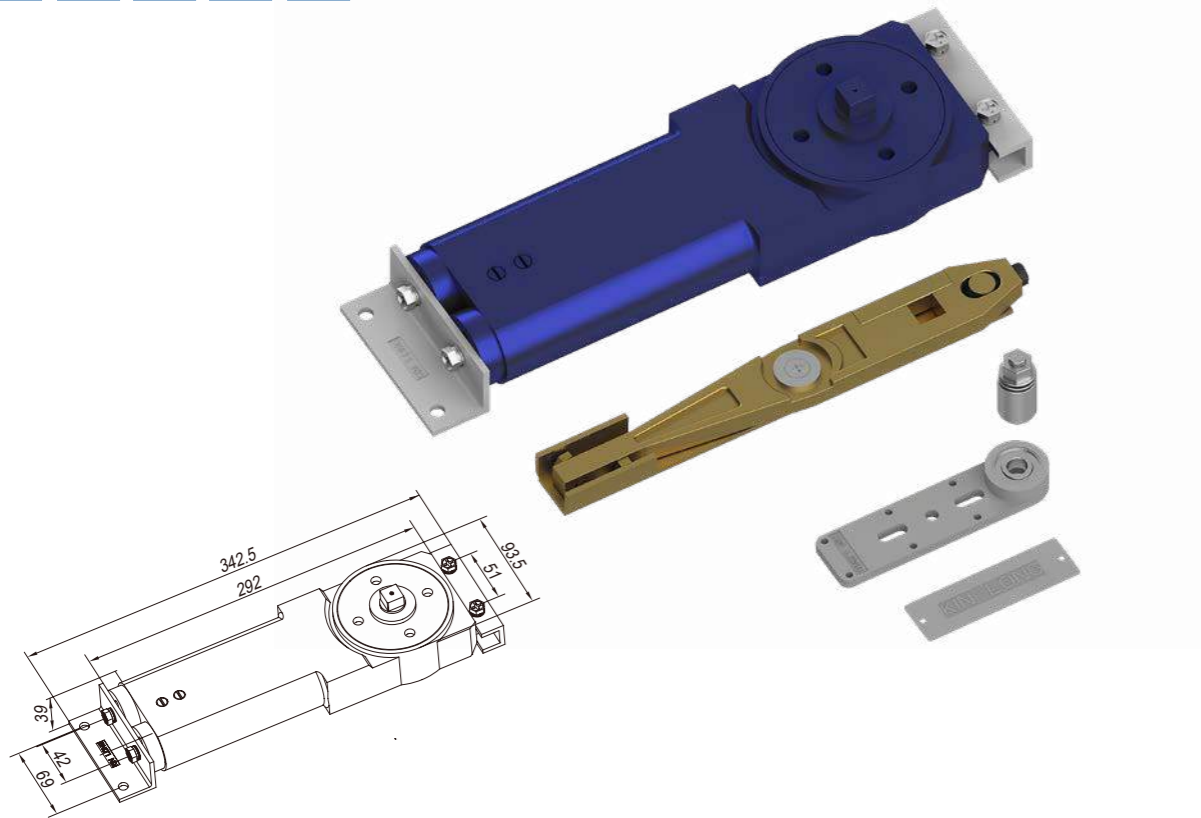


Note :Standard product has no auxiliaryblock, the thickness of auxiliaryblock is based on the cavity of profile

Filler Application Instruction

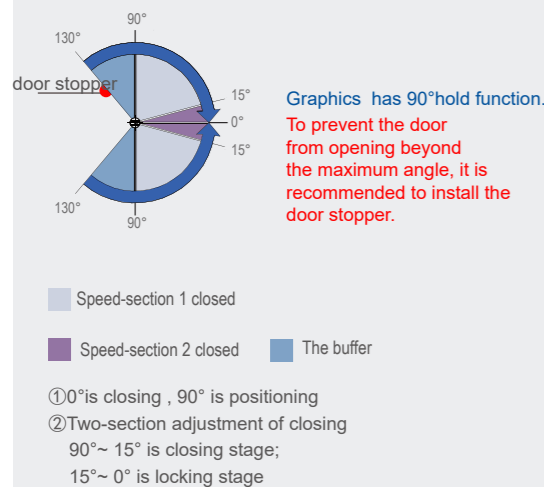


Three-dimensional Top 130° Double Two

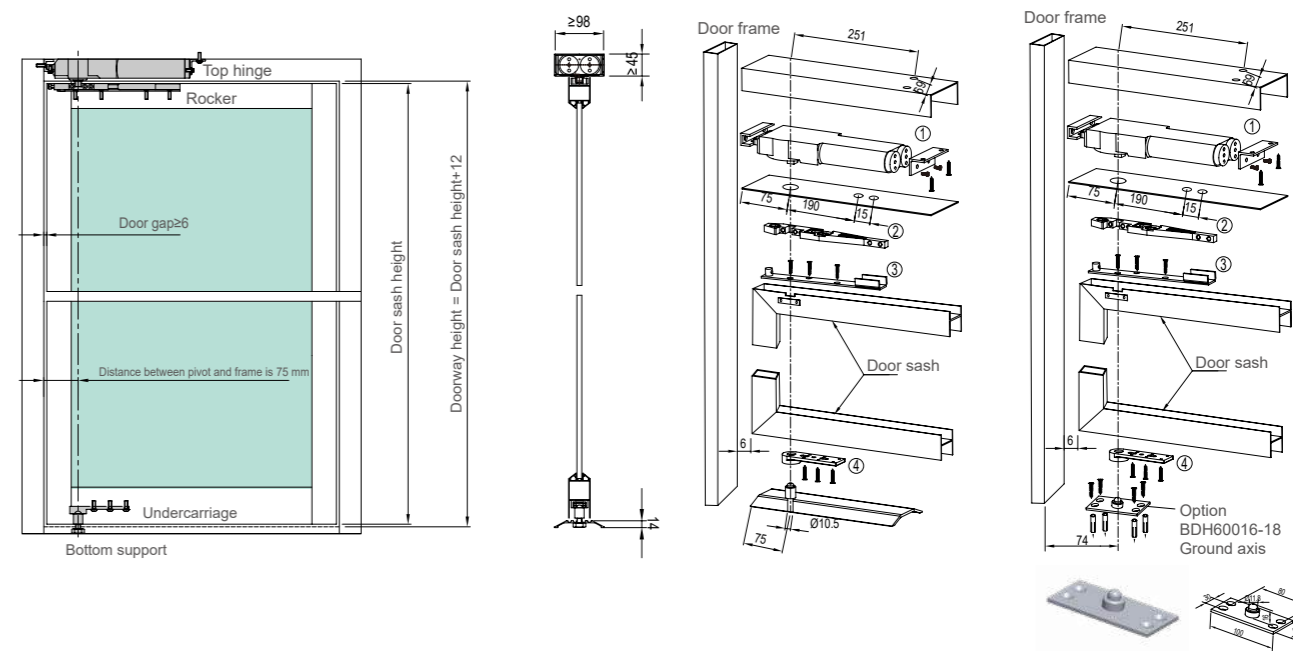


New

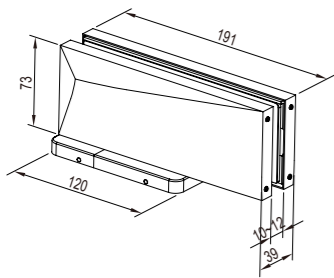
Functional Characteristic of Sky hinge	Product description	BDH60015	BDH60016	BDH60017
Passed the test of industrial standard QB/T 2697 Passed the test of EN1154 standard of door closing detection It can be used on both left and right side door. Suit for wooden door, metal door, glass door, frame door (only for top installation)	Positioning type	90°hold	●	●
	Door width	800~1000mm	●	
		800~1200mm		●
	Maximum Loading	85kg	●	
		100kg		●
		120kg		●
	Life cycle	> 500,000 Cycles	●	●
	Main Material	Main body-Grey cast-iron	●	●
	Speed control	Two speed section	●	●
	Suitable Temperature	-15°C~40°C	●	●
	Max open degree	130°	●	●
	Structure of main body	Double-cylinder	●	●
	Spindle	Square Shaft	●	●

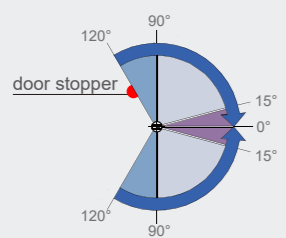


Installation Diagram



Slotting free 120° Two

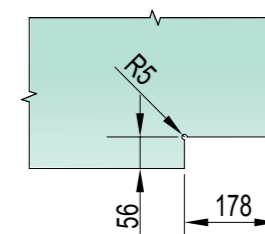


Concealed Floor Hinge	Product description	BDH70014	BDH70015	
<b>Application Performance</b>  Application Performance ■ Speed-section 1 closed ■ Speed-section 2 closed ■ Buffer zone ① 0° is closing, 90° is positioning ② Two-section adjustment of closing 90°~15° is closing stage; 15°~0° is locking stage	Positioning type	90° hold	●	●
	Door width	650~800mm	●	
		750~900mm		●
	Maximum Loading	85Kg	●	
		100Kg		●
	Life cycle	>300,000 Cycles	●	●
	Main Body Material	Aluminum alloy	●	●
	Speed control	Two speed section	●	●
	Suitable Temperature	-15°C~40°C	●	●
	Max open degree	120°	●	●
	Spindle	3°	●	●
	Structure of main body	Mirror + Satin	●	●
	Steel cover thickness	1.0mm	●	●
	Steel cover material	S.S 304	●	●
glass thickness 10~12mm	10~12mm	●	●	

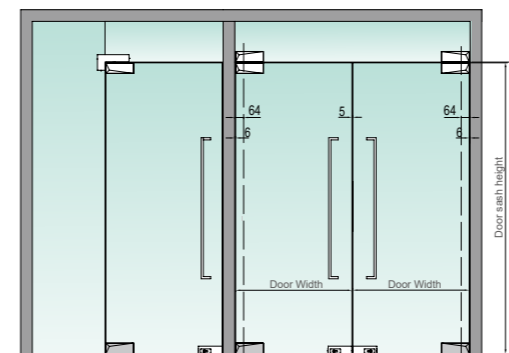
**Functional Characteristic**

- Passed the test of industrial standard QB/T 2697.
- Install on ground, convenient for construction.
- Has delicate appearance design, and combine the traditional floor hinge with the bottom patch.
- No need to dig hole, shortening construction period, and do not destroy the floor structure.
- The base is adjustable: front and back  $\pm 3$  mm, left and right  $\pm 3$  mm, angle  $\pm 4^\circ$ .
- The door sash can be opened in both directions, one-way opening must be realized by other methods.
- It's suitable for the frameless glass door.

**Cut-out Drawing**



**Installation Diagram and Product Drawing**



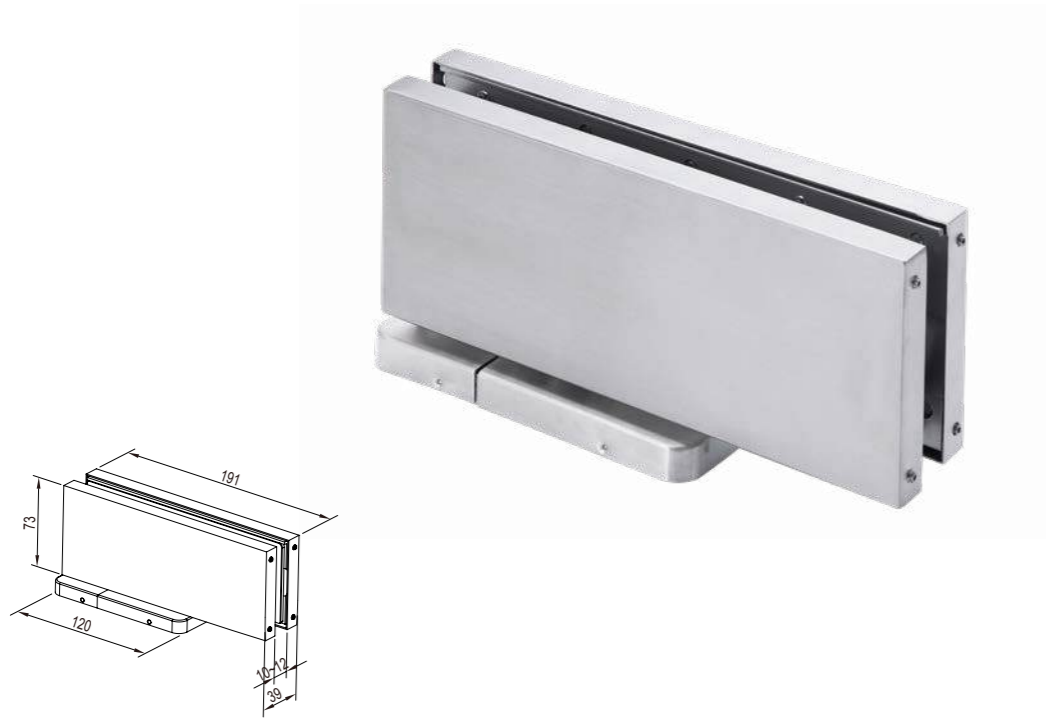
Glass door sash height cutting size = doorway - 20 (upper and lower door seam)

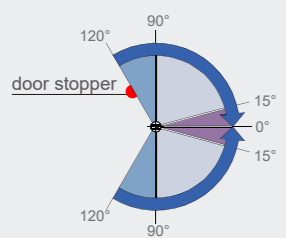
◆ Concealed floor hinge can be used with door control hardware. (See the form below)

No.	Name	Page
1	Upper patch KMJ44320	P147
2	Top patch KMJ44330	P147
3	Top pivot seat BDP30001/DS05	P9/P17
4	Top Pivot KHY53520 KHY53511	P202



Slotting free 120° Two

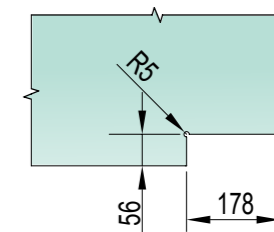


Concealed Floor Hinge	Product description	BDH70114	BDH70115	
<b>Application Performance</b>  <b>Application Performance</b> ■ Speed-section 1 closed ■ Speed-section 2 closed ■ Buffer zone ① 0° is closing, 90° is positioning ② Two-section adjustment of closing 90°~15° is closing stage; 15°~0° is locking stage	Positioning type	90° hold	●	
	Door width	650~800mm	●	
		750~900mm		●
	Maximum Loading	85Kg	●	
		100Kg		●
	Life cycle	>300,000 Cycles	●	●
	Main Body Material	Aluminum alloy	●	●
	Speed control	Two speed section	●	●
	Suitable Temperature	-15°C~40°C	●	●
	Max open degree	120°	●	●
	Spindle	3°	●	●
	Structure of main body	Mirror + Satin	●	●
	Steel cover thickness	1.0mm	●	●
	Steel cover material	S.S 304	●	●
glass thickness	10~12mm	●	●	

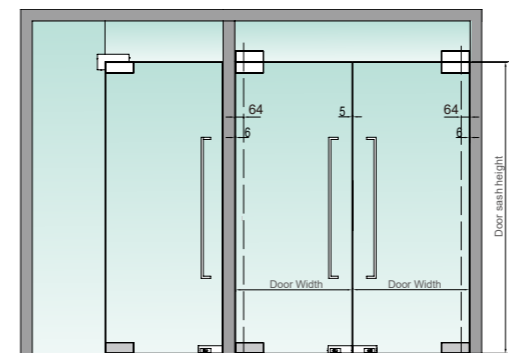
**Functional Characteristic**

- Passed the test of industrial standard QB/T 2697.
- Install on ground, convenient for construction.
- Has delicate appearance design, and combine the traditional floor hinge with the bottom patch.
- No need to dig hole, shortening construction period, and do not destroy the floor structure.
- The base is adjustable: front and back  $\pm 3$  mm, left and right  $\pm 3$  mm, angle  $\pm 4^\circ$ .
- The door sash can be opened in both directions, one-way opening must be realized by other methods.
- It's suitable for the frameless glass door.

**Cut-out Drawing**



**Installation Diagram and Product Drawing**



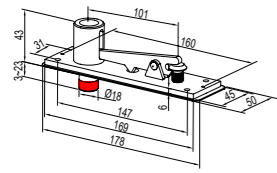
Glass door sash height cutting size = doorway - 20 (upper and lower door seam)

◆ Concealed floor hinge can be used with door control hardware. (See the form below)

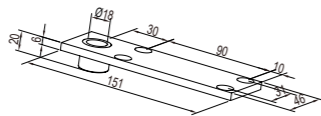
No.	Name	Page
1	Upper patch KMJ44320	P147
2	Top patch KMJ44330	P147
3	Top pivot seat BDP30001/DS05	P9/P17
4	Top Pivot KHY53520 KHY53511	P202

**Accessories for insulation profile**

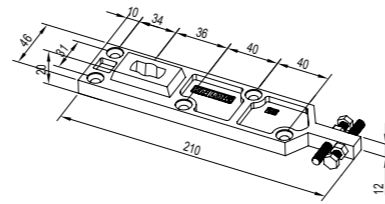
■ BDP70001 Top pivot seat



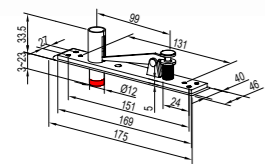
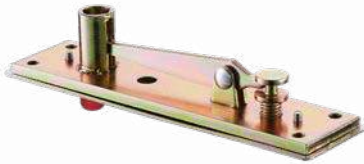
■ DX07 Bottom pivot seat



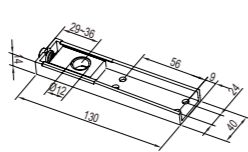
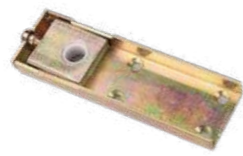
■ DY07 Center pivot arm



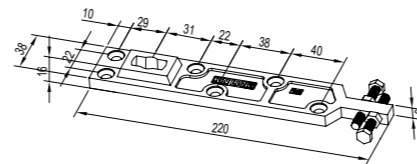
■ BDP70201 Top pivot seat



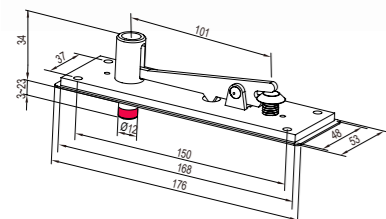
■ BDP70202 Bottom pivot seat



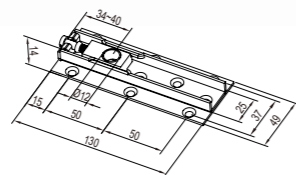
■ BDP70203 Center pivot arm



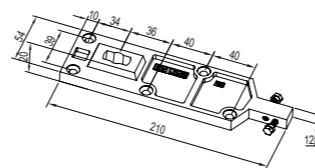
■ BDP70301 Top pivot seat



■ BDP70302 Bottom pivot seat

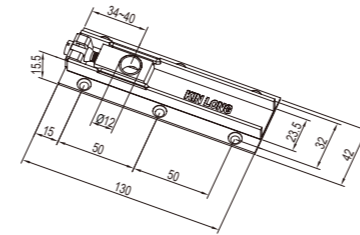


■ BDP70303 Center pivot arm



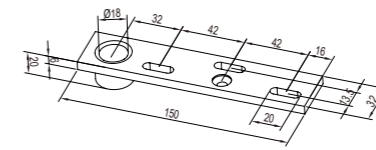
**Accessories for circular tube profile**

■ BDP70402 Bottom pivot seat **New**

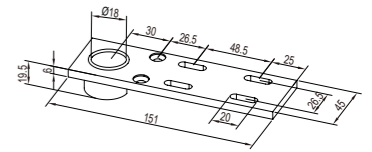


**Other optional accessories**

■ BDP40002 Bottom pivot seat (Adjustable)

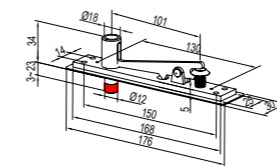


■ BDP70002 Bottom pivot seat (Adjustable)

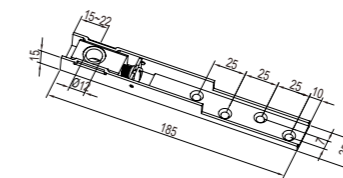


**Accessories for circular tube profile**

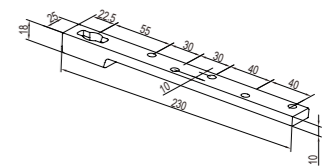
■ BDP30001 Top pivot seat



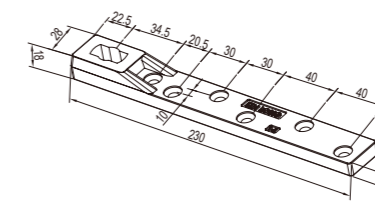
■ DX09 Bottom pivot seat



■ DY09 Center pivot arm



■ DY09A Center pivot arm **New**



## Safety chain (selective accessories)

■ BDP10001 Safety chain

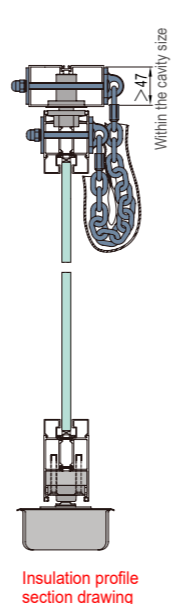
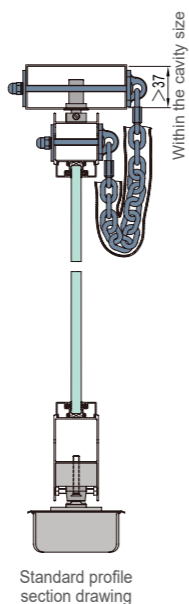
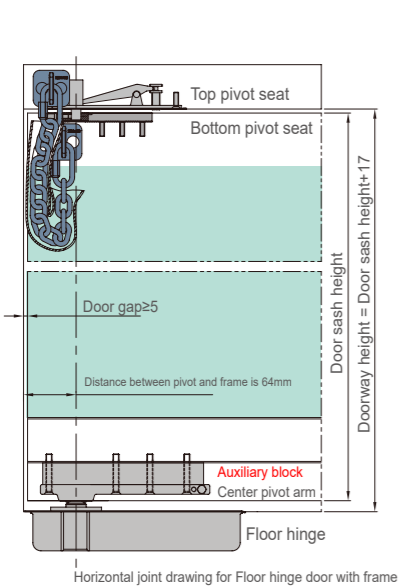
■ BDP10002 Safety chain



Installation location: Installed at the top of the door sash and door frame  
Applicable door weight: 65~400kg

Installation location: Installed at the top of the door sash and door frame  
Applicable door weight: 65~400kg  
Applicable door sash thickness is 40~90mm  
Applicable door frame thickness is 70~130mm

### Installation Diagram

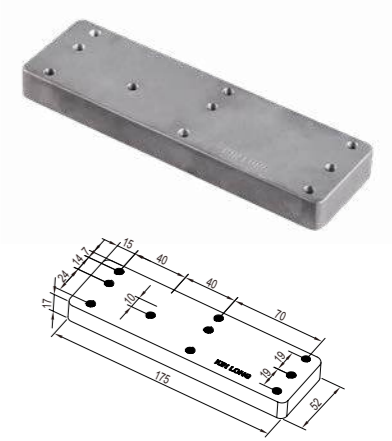


## Auxiliary block of floor hinge accessories (optional)

■ BDP10201 Upper pivot seat block

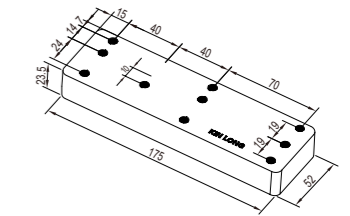
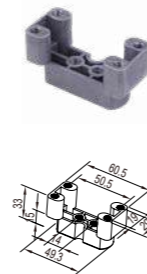
■ BDP10202 Pivot base block

■ BDP10203 Center rocker pad

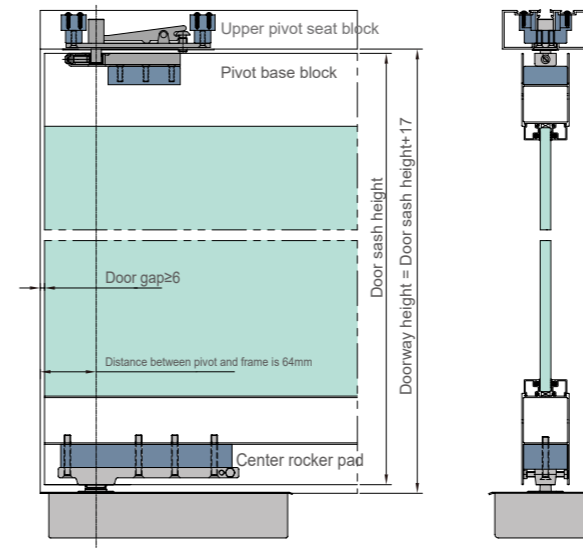


■ BDP10301 Upper pivot seat block

■ BDP10303 Center rocker pad



### Installation Diagram



### Floor hinge accessories auxiliary block

Name	Code	Upper pivot seat block	Pivot base block	Center rocker pad
Top pivot seat	DS05	BDP10201/ BDP10301	/	/
	BDP30001			
Bottom pivot seat	DX05	/	BDP10202	/
	DX03			
Center pivot arm	DY05	/	/	BDP10203/ BDP10303

Note: Standard product has no auxiliary block, the thickness of auxiliary block is based on the cavity of profile

**Configuration comparison table of standard floor hinge accessories**

No.	Floor hinge code	Standard profile			Insulation profile		
		Top pivot seat code	Bottom pivot seat code	Center pivot arm code	Top pivot seat code	Bottom pivot seat code	Center pivot arm code
1	BDH80116/BDH80216	BDP30001	DX03	DY05	BDP70001/ BDP70201/ BDP70301	DX07/BDP70202/ BDP70302	DY07/BDP70203/ BDP70303
2	HD101/HDF101	DS05	DX05				
3	HD102/BDH10305						
4	BDH10214						
5	HD103/BDH10003						
6	HD201/BDH20505						
7	BDH20216						
8	HD203/HDF203	BDP30001	DX03				
9	HD204						
10	BDH20314/BDH20304						
11	BDH20315/BDH20305						
12	HD205/HDF205						
13	HD304						
14	HD305						
15	HD403						
16	HD405						
17	HD406/HDF406						
18	BDH40115-HW						
19	BDH40017/BDH40007			BDP40001	DX04	BDP70001	DX07
20	HD407/BDH40008						
21	BDH40216/BDH40206	BDP30001	DX03	BDP50303	/	/	/
22	BDH50011/BDH50001	BDP40001	DX04	BDP50203			
23	BDH50112			BDP50203E			
24	BDH50012			BDP60103			
25	BDH50013			BDP60003			
26	BDH50014						

**Matters need attention:**

- The selection is mainly based on the width, weight of the door and the actual situation of the project; Improper selection will affect the using effectiveness and product life.
- Glass door weight (kg) = glass area (m<sup>2</sup>) x glass thickness (mm) x 2.56 (density)
- Profile door weight (kg) = glass area (m<sup>2</sup>) x glass thickness (mm) x 2.56 (density) x 1.2 (safety coefficient)
- Whole door weight (kg) = glass door weight / profile door weight + all parts weight

Glass door weight list					
Common glass thickness	8mm	10mm	12mm	15mm	19mm
Weight per (m <sup>2</sup> )	20.5Kg	25.6Kg	30.7Kg	38.4Kg	48.6Kg



Door Closer



**Door Closer List**

Product Categories	Diagram	Product code	Positioning type	Door width	Maximum Loading	Service life	Speed control	page
Electric door closer		BBM40015	Remote control 90°positioning	650~1000mm	100Kg	>500,000 Cycles	/	P69
		BBM40018	Remote control 90°positioning	700~1050mm	130Kg	>500,000 Cycles	/	P71
		BBM40118 (New)	Remote control 90°positioning	750~1050mm	200Kg	>1000,000 Cycles	/	P73
		BBM40315 (New)	Remote control 90°positioning	600~900mm	80Kg	>1000,000 Cycles	/	P75
		BBM40005	Remote control 90°positioning	650~1000mm	100Kg	>500,000 Cycles	/	P79
		BBM40008	Remote control 90°positioning	700~1050mm	130Kg	>500,000 Cycles	/	P81
		BBM40108 (New)	Remote control 90°positioning	750~1050mm	200Kg	>1000,000 Cycles	/	P83
		BBM40305 (New)	Remote control 90°positioning	600~900mm	80Kg	>1000,000 Cycles	/	P85
American Standard Certification		BBM60006	Non-hold	650~1500mm	15~150Kg	≥2000,000 Cycles	Two speed section	P103
		BBM60106	Non-hold	650~1500mm	15~150Kg	≥2000,000 Cycles	Two speed section	P104
		BBM60206	Non-hold	650~1500mm	15~150Kg	≥2000,000 Cycles	Two speed section	P105
		BBM60014	Non-hold	650~1100mm	45~85kg	>500,000 Cycles	Two speed section	P106
Fire-proof certification		GA93-2CI(B401)	Non-hold	650~900mm	45Kg	>300,000 Cycles	Two speed section	P108
		GA93-3CI(B103)	Non-hold	850~1100mm	65Kg	>300,000 Cycles	Two speed section	P109
		GA93-4CI(B104)	Non-hold	1000~1250mm	85Kg	>300,000 Cycles	Two speed section	P110
		XF93-4CI(BBM90304) (New)	Non-hold	900~1100mm	85kg	>300,000 Cycles	Two speed section	P111
		XF93-3PI(BBM90215) (New)	Non-hold	650~1100mm	45~85kg	>300,000 Cycles	Two speed section	P112
		GA93-2PII (YB301)	Non-hold	650~900mm	45Kg	>200,000 Cycles	Two speed section	P113
		GA93-2PII (YB305)	Non-hold	850~1100mm	65Kg	>200,000 Cycles	Two speed section	P113
		GA93-2PII(YB306)	Non-hold	1000~1250mm	85Kg	>200,000 Cycles	Two speed section	P113
		XF93-2PI(BBM30114)	Non-hold	650~1100mm	45~85Kg	>300,000 Cycles	Two speed section	P114
Fire-proof certification		GA93-5CI(BBM80105)	Non-hold	1100~1300mm	100Kg	>300,000 Cycles	Two speed section	P115
		GA93-5CI(B415)	Non-hold	1150~1400mm	120Kg	>300,000 Cycles	Two speed section	P116
		B401	Non-hold	650~900mm	45Kg	>300,000 Cycles	Two speed section	P119
European standard, Construction standard		BBM10012	90°hold	650~900mm	45Kg	>500,000 Cycles	Two speed section	P120
		B103	Non-hold	850~1100mm	65Kg	>500,000 Cycles	Two speed section	P121

**Door Closer List**

Product Categories	Diagram	Product code	Positioning type	Door width	Maximum Loading	Service life	Speed control	page
European standard, Construction standard		BBM10013	90°hold	850~1100mm	65Kg	>500,000 Cycles	Two speed section	P122
		BBM70102	Non-hold	650~900mm	45Kg	>300,000 Cycles	Two speed section	P123
		BBM70112	Hold can be anywhere and withdrawn	650~900mm	45Kg	>300,000 Cycles	Two speed section	P124
		BBM80102	Non-hold	650~900mm	45Kg	>300,000 Cycles	Two speed section	P125
		BBM80212	Hold can be anywhere and withdrawn	650~900mm	45Kg	>300,000 Cycles	Two speed section	P126
		B803	Non-hold	850~1100mm	65Kg	>500,000 Cycles	Two speed section	P127
		B804	Non-hold	1000~1250mm	85Kg	>500,000 Cycles	Two speed section	P127
		BZ803	Hold can be anywhere and withdrawn	850~1100mm	65Kg	>500,000 Cycles	Two speed section	P128
		BZ804	Hold can be anywhere and withdrawn	1000~1250mm	85Kg	>500,000 Cycles	Two speed section	P128
		BBM90006	Non-hold	850~1600mm	85~150Kg	>500,000 Cycles	Two speed section	P129
		BBM90012	Hold can be anywhere and withdrawn	650~900mm	45Kg	>500,000 Cycles	Two speed section	P130
		BBM90013	Hold can be anywhere and withdrawn	850~1100mm	65Kg	>500,000 Cycles	Two speed section	P130
		BBM90103	Non-hold	850~1100mm	65Kg	>500,000 Cycles	Two speed section	P131
		BBM90104	Non-hold	1000~1250mm	85Kg	>500,000 Cycles	Two speed section	P132
		B104	Non-hold	1000~1250mm	85Kg	>300,000 Cycles	Two speed section	P133
		BBM10014	90°hold	1000~1250mm	85Kg	>300,000 Cycles	Two speed section	P134
		BBM80105	Non-hold	1100~1300mm	100Kg	>500,000 Cycles	Two speed section	P135
		BBM90105	Non-hold	650~1200mm	25~120kg	>500,000 Cycles	Two speed section	P136
		B415	Non-hold	1150~1400mm	120Kg	>500,000 Cycles	Two speed section	P137
		BBM90115	Hold can be anywhere and withdrawn	650~1200mm	25~85Kg	>500,000 Cycles	Two speed section	P138
		YB301	Hold can be anywhere and withdrawn	650~900mm	45Kg	>500,000 Cycles	Two speed section	P139
		YB305	Hold can be anywhere and withdrawn	850~1100mm	65Kg	>500,000 Cycles	Two speed section	P139
		YB306	Hold can be anywhere and withdrawn	1000~1250mm	85Kg	>500,000 Cycles	Two speed section	P139
		BBM30112	Hold can be anywhere and withdrawn	650~900mm	45Kg	>300,000 Cycles	Two speed section	P140
		BBM30113	Hold can be anywhere and withdrawn	850~1100mm	65Kg	>500,000 Cycles	Two speed section	P141
		BBM30114	Hold can be anywhere and withdrawn	650~1100mm	45~85Kg	>500,000 Cycles	Two speed section	P142
		BBM30115	Hold can be anywhere and withdrawn	1100~1300mm	100Kg	>300,000 Cycles	Two speed section	P143

Door closer function check list

Product code	Surface installed	Concealed installation	Opening-delayed type	Opening-Bufferd type	Torque adjustable	Electrical	Opening angle					hold	Non-hold	Two speed section
							90°	110°	120°	135°	180°			
BBM40015	●					●						●		
BBM40018	●					●						●		
BBM40118(New)	●					●						●		
BBM40315(New)	●					●						●		
BBM40005	●					●						●		
BBM40008	●					●						●		
BBM40108(New)	●					●						●		
BBM40305(New)	●					●						●		
BBM60006	●		●	●	●					●		●	●	●
BBM60106	●		●	●	●					●		●	●	●
BBM60206	●		●	●	●					●		●	●	●
BBM60014		●	●	●	●		●					●	●	●
GA93-2CI(B401)	●								●			●	●	●
GA93-3CI(B103)	●								●			●	●	●
GA93-4CI(B104)	●								●			●	●	●
XF93-4CI(BBM90304)(New)	●								●			●	●	●
XF93-3PI(BBM90215)(New)	●		●	●	●		●					●	●	●
GA93-2PII(YB301)		●					●					●	●	●
GA93-2PII(YB305)		●					●					●	●	●
GA93-2PII(YB306)		●					●					●	●	●
XF93-2PI(BBM30114)		●			●		●					●	●	●
GA93-5CI(BBM80105)	●							●				●	●	●
GA93-5CI(B415)	●							●				●	●	●
B401	●							●				●	●	●
BBM10012	●						●					●	●	●
B103	●							●				●	●	●

Door closer function check list

Product code	Surface installed	Concealed installation	Opening-delayed type	Opening-Bufferd type	Torque adjustable	电动机	Opening angle				hold	Non-hold	Two speed section	
							90°	110°	135°	180°				
BBM10013	●						●					●	●	●
BBM70102	●								●			●	●	●
BBM70112	●						●					●	●	●
BBM80102	●								●			●	●	●
BBM80212	●						●					●	●	●
B803	●								●			●	●	●
B804	●								●			●	●	●
BZ803	●						●					●	●	●
BZ804	●						●					●	●	●
BBM90006	●		●	●	●				●			●	●	●
BBM90012	●						●					●	●	●
BBM90013	●						●					●	●	●
BBM90103	●			●					●			●	●	●
BBM90104	●			●					●			●	●	●
B104	●								●			●	●	●
BBM10014	●						●					●	●	●
BBM80105	●								●			●	●	●
BBM90105	●		●	●	●				●			●	●	●
B415	●								●			●	●	●
BBM90115	●		●	●	●		●					●	●	●
YB301		●					●					●	●	●
YB305		●					●					●	●	●
YB306		●					●					●	●	●
BBM30112		●					●					●	●	●
BBM30113		●					●					●	●	●
BBM30114		●		●	●		●					●	●	●
BBM30115		●					●					●	●	●

Door Closer

Door Closer



# Electric Door Closer

Contactless door hardware integration solutions



Remote door opening



Induction door opening



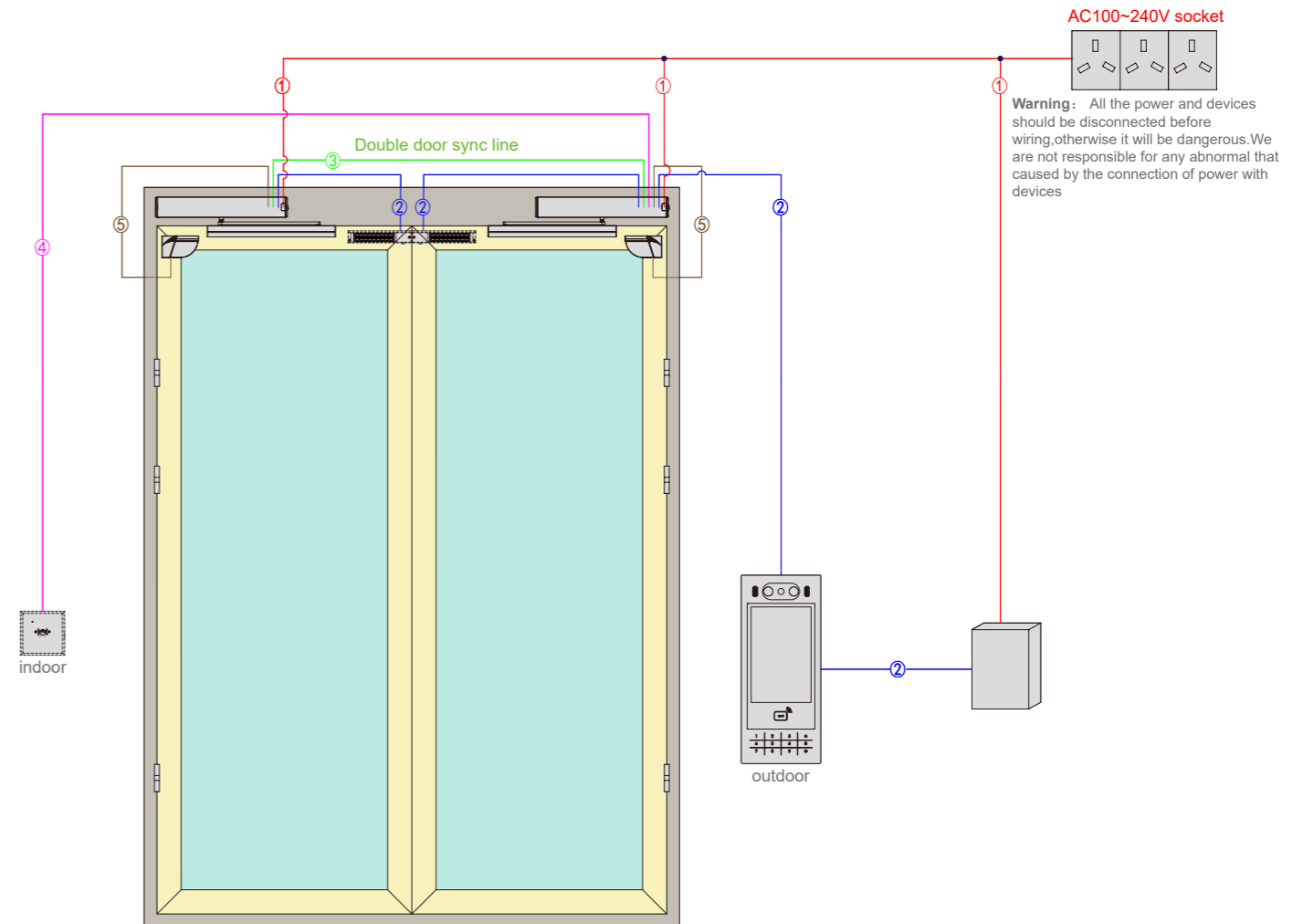
Face recognition door opening



Password/fingerprint/ card to open the door

## Construction wiring diagram and precautions for the integrated configuration scheme of electric door closers:

- ① =RVV-3×1.5mm<sup>2</sup>, optional line pipe φ10mm pull wire, use this line type to indicate:
  - ② =RVV-2×0.5mm<sup>2</sup>, optional line pipe φ10mm pull wire, use this line type to indicate:
  - ③ =RVV-3×0.5mm<sup>2</sup>, optional line pipe φ10mm pull wire, use this line type to indicate:
  - ④ =RVV-4×0.5mm<sup>2</sup>, optional line pipe φ10mm pull wire, use this line type to indicate:
  - ⑤ =RVV-6×0.5mm<sup>2</sup>, optional wire tube φ10mm pull wire, use this line type to indicate:
- Cable information is reasonably pulled according to the actual situation on site



### Precautions for installation and wiring:

1. This wiring diagram is a simplified schematic diagram of symbols. For detailed function debugging and port wiring positions, please operate according to the installation instructions.
2. This wiring diagram: the left door is the driven door, and the right door is the active door. If the positions of the master and slave doors are opposite, the corresponding wiring distribution should also be changed simultaneously.
3. The product position shown by the solid line is placed on the outside, and the product position shown by the dotted line is placed on the inside
4. Please select the electric door closer according to the load-bearing capacity and width of the door sash.
5. Installation precautions: the height of the door frame should be ≥130mm.
6. Voltage designing is suitable for various wide range and power for AC100V-240V.
7. Electric door closers are only suitable for one-way opening not applicable for two-way opening.
8. The electric door closer and its supporting electronic products do not have the waterproof function, and cannot be installed in the outdoor, humid, snowy and other environments. The installation site must have conditions for sheltering from rain.
9. Under the power-on condition, the electric door closer product itself has the function of automatically opening and closing the door, and it is forbidden to apply external force to force the opening and closing of the door.
10. The safety sensor devices without safety light screen and laser sensor can not be used for anti-striking and anti-clamping. We will not be responsible any abnormal that caused by the unsuitable installation.
11. Due to the differences in voltage, current, power and other factors of electronic products, we cannot guarantee that other companies' electronic products can be used with our electric door closers. We will not be responsible for any abnormalities.

# BBM40015

Electric door closer

Surface installed Hold Electric



## Functional Characteristic

- Past qualify— GB/T 34616 General Technical Requirements Test for Pedestrian Automatic Doors
- Past qualify— JG/T 305 Pedestrian Automatic Door Safety Requirements Test
- Past qualify EN16005 EU CE certification
- Only meet one-way opening; Stop or move backward when meets obstacle, safe and convenient
- Both left and right doors can be used, regardless of left and right side.
- suitable for wooden doors, metal doors, framed doors and other door types
- Using brushless motor and Hall transducer, long life cycle, low working noise,
- Opening method: fingerprint/ access card/ switch/ sensor/ face recognition opening

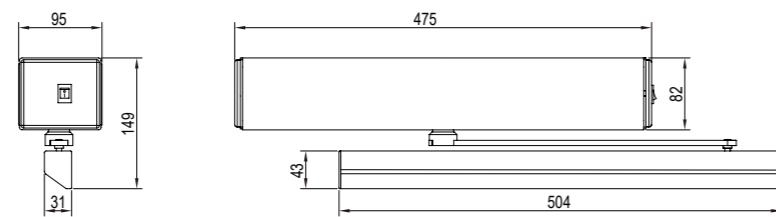
☆Tips

- 1.Electric door closer can realizes various functions, it is necessary to order optional accessories according to different functional characteristics
- 2.Safety light curtain and sensor installing place should avoid direct sunlight.
- 3.Electric door closers and their supporting electronic products are not waterproof, and cannot be installed in outdoor, humid, snowy and other environments. The installation site must have conditions for sheltering from rain.

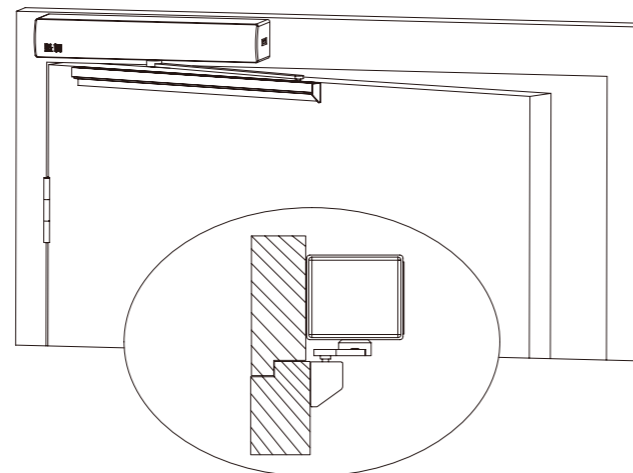
## Technical Parameters

	Max loading	100kg
	Door width	650~1000mm
	Life cycle	>500000 cycles
	Motor	DC24V 55W(Brushless)
	Voltage	AC100~240V
	Frequency	50 Hz~60 Hz
	Open door operation speed	≤300mm/s
	Speed of closed door operation	≤300mm/s
	Buffer speed	10 ~ 50mm/s
	Open door hold time	1 ~ 20s(Adjustable)
	Manual opening force	≤150N
	Reverse blocking force	≤220N
	Running noise	≤60dB
	Working temperature	-20~55°C
	Switchboard power consumption	80W

## Dimensions



## Installation schematic



## Standard Products

BBM40015-01 Remote Controls



Additional device (Multifunctional expansion)	Standard	page
	Optional	
Remote controls	●	P70
Switch	○	P91
Microwave sensor	○	P91
Magnetic lock	○	P367
Safety light curtain	○	P92
Door access control machine	○	/
Laser sensor	○	P93-96
Contactless switch	○	P91
Backup power	○	P92
10 inch smart door cloud host (Need to configure Android cloud door host power supply)	○	Gemvary Products



# BBM40018

Electric door closer

Surface installed Hold Electric



## Functional Characteristic

- Past qualify— GB/T 34616 General Technical Requirements Test for Pedestrian Automatic Doors
- Past qualify— JG/T 305 Pedestrian Automatic Door Safety Requirements Test
- Past qualify EN16005 EU CE certification
- Only meet one-way opening; Stop or move backward when meets obstacle, safe and convenient
- Both left and right doors can be used, regardless of left and right side.
- Suitable for wooden doors, metal doors, framed doors and other door types
- Using brushless motor and Hall transducer, long life cycle, low working noise,
- Opening method: fingerprint/ access card/ switch/ sensor/ face recognition opening

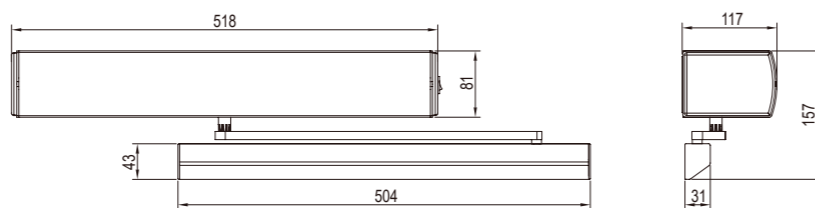
☆Tips

- 1.Electric door closer can realizes various functions, it is necessary to order optional accessories according to different functional characteristics
- 2.Safety light curtain and sensor installing place should avoid direct sunlight.
- 3.Electric door closers and their supporting electronic products are not waterproof, and cannot be installed in outdoor, humid, snowy and other environments. The installation site must have conditions for sheltering from rain.

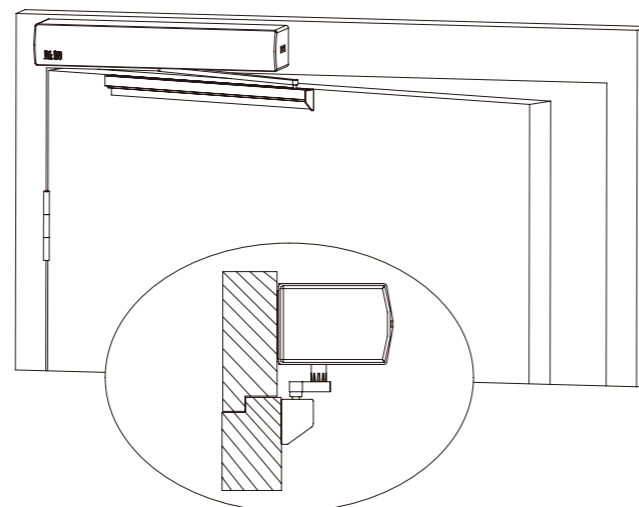
## Technical Parameters

	Max loading	130kg
	Door width	700~1050mm
	Life cycle	>500000 cycles
	Motor	DC24V 55W(Brushless)
	Voltage	AC100~240V
	Frequency	50 Hz~60 Hz
	Open door operation speed	≤300mm/s
	Speed of closed door operation	≤300mm/s
	Buffer speed	10 ~ 50mm/s
	Open door hold time	0 ~ 60s(Adjustable)
	Manual opening force	≤150N
	Reverse blocking force	≤220N
	Running noise	≤60dB
	Working temperature	-20~55°C
	Switchboard power consumption	85W

## Dimensions



## Installation schematic



## Standard Products

BBM40015-01 Remote Controls



## Additional device (Multifunctional expansion)

	● Standard	○ Optional	page
Remote controls	●		P72
Switch		○	P91
Microwave sensor		○	P91
Magnetic lock		○	P367
Safety light curtain		○	P92
Door access control machine		○	/
Laser sensor		○	P93-96
Contactless switch		○	P91
Backup power		○	P92
10 inch smart door cloud host (Need to configure Android cloud door host power supply)		○	Gemvary Products

**BBM40118** New

Electric door closer

Surface installed Hold Electric



**Functional Characteristic**

- Past qualify— GB/T 34616 General Technical Requirements Test for Pedestrian Automatic Doors
- Past qualify— JG/T 305 Pedestrian Automatic Door Safety Requirements Test
- Past qualify EN16005 EU CE certification
- With power automatic closing function
- Only meet one-way opening; Stop or move backward when meets obstacle, safe and convenient
- Both left and right doors can be used, regardless of left and right side.
- Suitable for wooden doors, metal doors, framed doors and other door types
- Using brushless motor and Hall transducer, long life cycle, low working noise,
- Opening method: fingerprint/ access card/ switch/ sensor/ face recognition opening

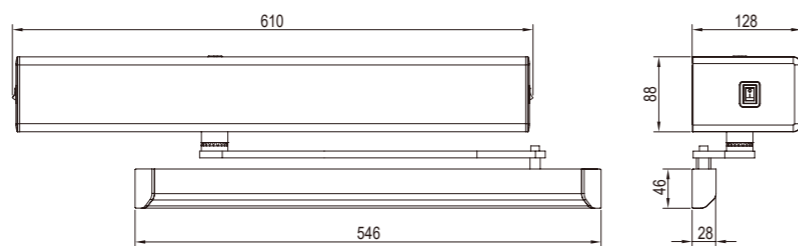
☆Tips

1. Electric door closer can realizes various functions, it is necessary to order optional accessories according to different functional characteristics
2. Safety light curtain and sensor installing place should avoid direct sunlight.
3. Electric door closers and their supporting electronic products are not waterproof, and cannot be installed in outdoor, humid, snowy and other environments. The installation site must have conditions for sheltering from rain.

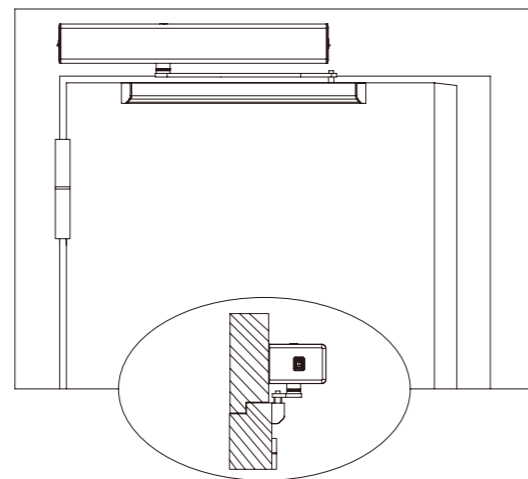
**Technical Parameters**

	Max loading	200kg
	Door width	750~1050mm
	Life cycle	>1000,000 cycles
	Motor	DC24V 100W(Brushless)
	Voltage	AC220V (1±10%)
	Frequency	50 Hz~60 Hz
	Open door operation speed	≤300mm/s
	Speed of closed door operation	≤300mm/s
	Buffer speed	10 ~ 50mm/s
	Open door hold time	1 ~ 30s(Adjustable)
	Manual opening force	≤150N
	Reverse blocking force	≤220N
	Running noise	≤60dB
	Working temperature	-20~45°C
	Switchboard power consumption	100W

**Dimensions**



**Installation schematic**



**Optional Products**

BBP80001 Adjusting device (Necessary)



☆Adjusting device is necessary during testing/ installing, Additional order required.

Additional device (Multifunctional expansion)	● Standard	○ Optional	page
	★ Necessary		
Switch	○		P91
Microwave sensor	○		P91
Magnetic lock	○		P367
Safety light curtain	○		P92
Door access control machine	○		/
Laser sensor	○		P93-96
Contactless switch	○		P91
Backup power	○		P92
Adjusting device	★		P74
10 inch smart door cloud host (Need to configure Android cloud door host power supply)	○		Gemvary Products

# BBM40315 New

Electric door closer

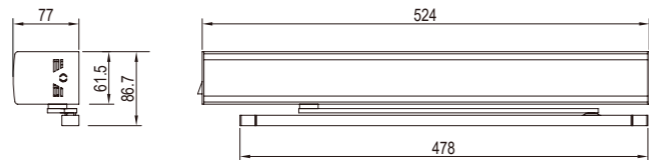
Surface installed Hold Electric



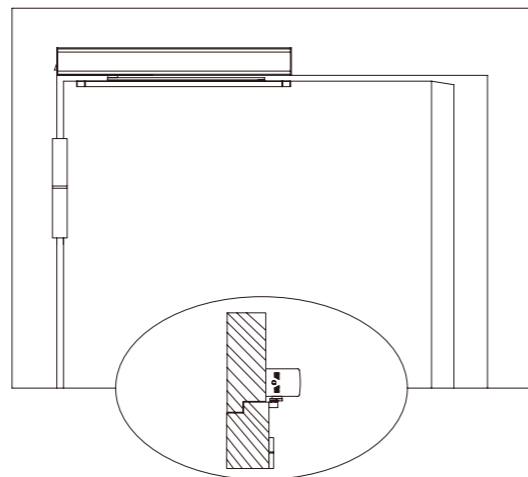
### Technical Parameters

	Max loading	80kg
	Door width	600~900mm
	Life cycle	> 1000,000 cycles
	Motor	DC24V 70W(Brushless)
	Voltage	AC220V (1±10%)
	Frequency	50 Hz~60 Hz
	Open door operation speed	≤300mm/s
	Speed of closed door operation	≤300mm/s
	Buffer speed	10 ~ 50mm/s
	Open door hold time	1 ~ 30s(Adjustable)
	Manual opening force	≤150N
	Reverse blocking force	≤220N
	Running noise	≤60dB
	Working temperature	-20~45°C
	Switchboard power consumption	70W

### Dimensions



### Installation schematic



### Functional Characteristic

- Past qualify— GB/T 34616 General Technical Requirements Test for Pedestrian Automatic Doors
- Past qualify— JG/T 305 Pedestrian Automatic Door Safety Requirements Test
- Past qualify EN16005 EU CE certification
- Only meet one-way opening; Stop or move backward when meets obstacle, safe and convenient
- Both left and right doors can be used, regardless of left and right side.
- Suitable for wooden doors, metal doors, framed doors and other door types
- Using brushless motor and Hall transducer, long life cycle, low working noise,
- Opening method: fingerprint/ access card/ switch/ sensor/ face recognition opening

#### ☆Tips

1. Electric door closer can realize various functions, it is necessary to order optional accessories according to different functional characteristics
2. Safety light curtain and sensor installing place should avoid direct sunlight.
3. Electric door closers and their supporting electronic products are not waterproof, and cannot be installed in outdoor, humid, snowy and other environments. The installation site must have conditions for sheltering from rain.

### Optional Products

BBM40315-05 Remote Controls (Standard)



BEP10001 Adjusting device (Necessary)



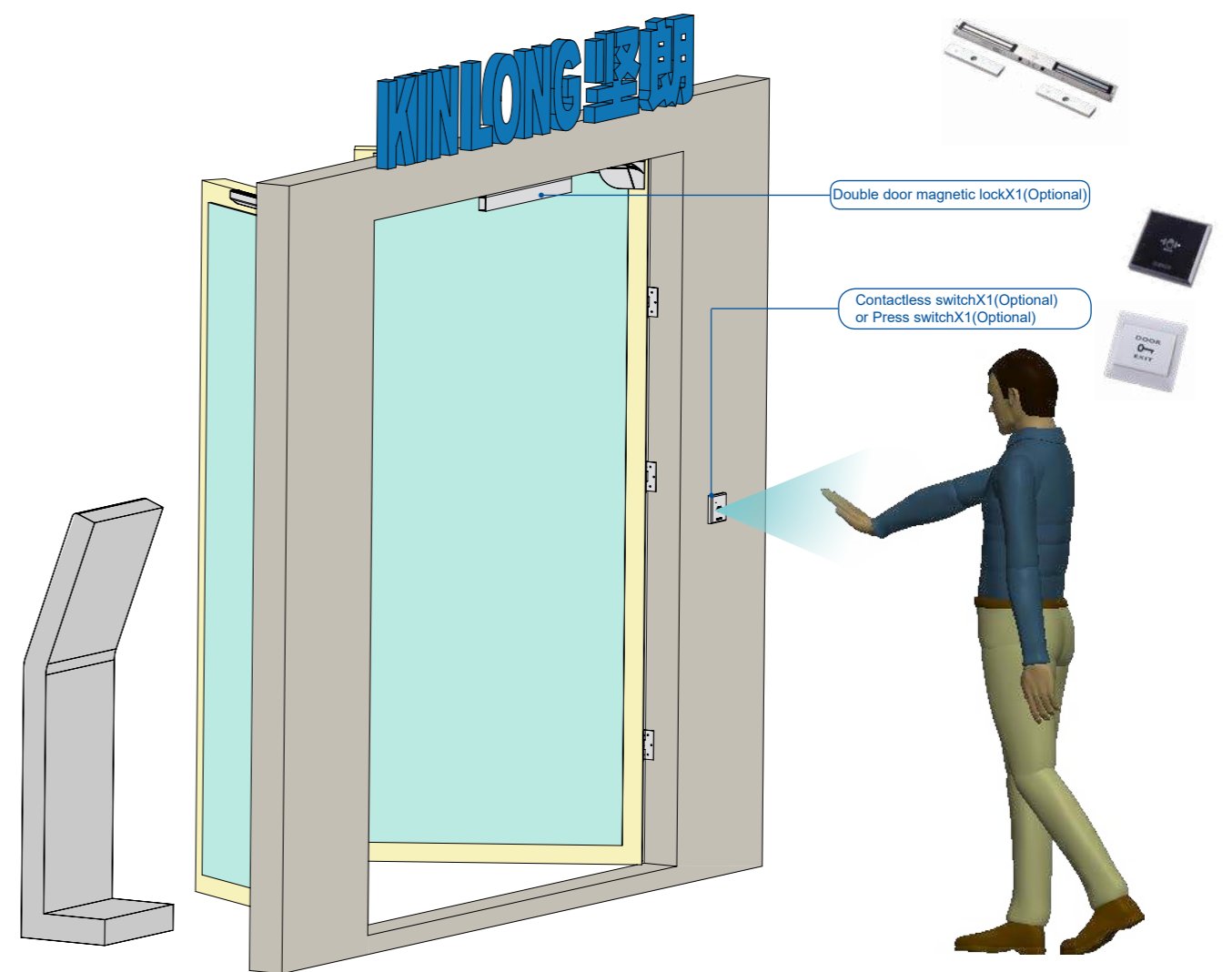
☆Adjusting device is necessary during testing/ installing, Additional order required.

Additional device (Multifunctional expansion)	● Standard ○ Optional ★ Necessary	page
Remote controls	●	P76
Switch	○	P91
Microwave sensor	○	P91
Magnetic lock	○	P367
Safety light curtain	○	P92
Door access control machine	○	/
Laser sensor	○	P93-96
Contactless switch	○	P91
Backup power	○	P92
Adjusting device	★	P76
10 inch smart door cloud host (Need to configure Android cloud door host power supply))	○	Gemvary Products

Electric door closer, rocker arm type contactless door hardware integrated configuration scheme (outdoor)



Electric door closer, rocker arm type contactless door hardware integrated configuration scheme (indoor)



# BBM40005

Electric door closer

Surface installed Hold Electric



## Functional Characteristic

- Past qualify— GB/T 34616 General Technical Requirements Test for Pedestrian Automatic Doors
- Past qualify— JG/T 305 Pedestrian Automatic Door Safety Requirements Test
- Past qualify EN16005 EU CE certification
- Only meet one-way opening; Stop or move backward when meets obstacle, safe and convenient
- Both left and right doors can be used, regardless of left and right side.
- Suitable for wooden doors, metal doors, framed doors and other door types
- Using brushless motor and Hall transducer, long life cycle, low working noise,
- Opening method: fingerprint/ access card/ switch/ sensor/ face recognition opening

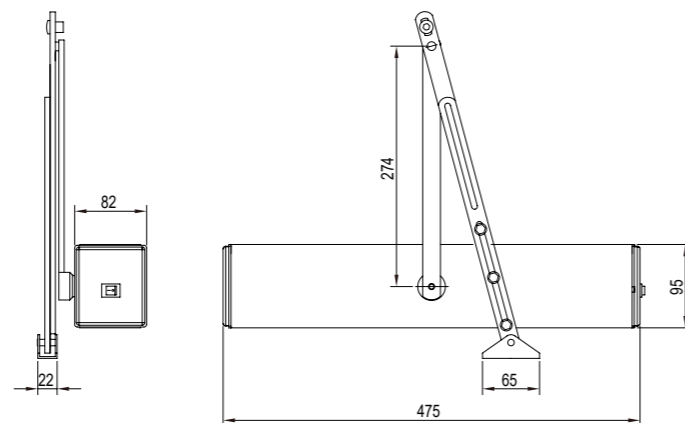
☆Tips

1. Electric door closer can realizes various functions, it is necessary to order optional accessories according to different functional characteristics
2. Safety light curtain and sensor installing place should avoid direct sunlight.
3. Electric door closers and their supporting electronic products are not waterproof, and cannot be installed in outdoor, humid, snowy and other environments. The installation site must have conditions for sheltering from rain.

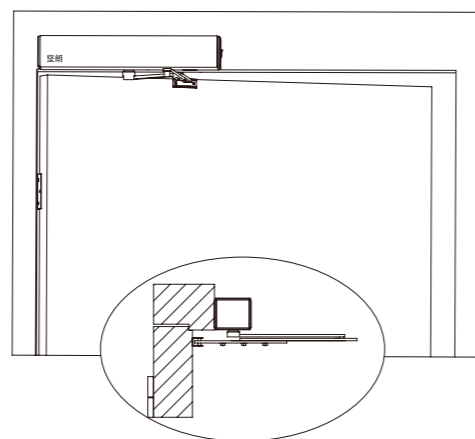
## Technical Parameters

	Max loading	100kg
	Door width	650~1000mm
	Life cycle	>500,000 cycles
	Motor	DC24V 55W(Brushless)
	Voltage	AC100~240V
	Frequency	50 Hz~60 Hz
	Open door operation speed	≤300mm/s
	Speed of closed door operation	≤300mm/s
	Buffer speed	10 ~ 50mm/s
	Open door hold time	1 ~ 20s(Adjustable)
	Manual opening force	≤150N
	Reverse blocking force	≤220N
	Running noise	≤60dB
	Working temperature	-20~55°C
	Switchboard power consumption	80W

## Dimensions



## Installation schematic



## Standard Products

BBM40015-01 Remote Controls



Additional device (Multifunctional expansion)	Standard	page
	Optional	
Remote controls	●	P80
Switch	○	P91
Microwave sensor	○	P91
Magnetic lock	○	P383
Safety light curtain	○	P92
Door access control machine	○	/
Laser sensor	○	P93-96
Contactless switch	○	P91
Backup power	○	P92
10 inch smart door cloud host (Need to configure Android cloud door host power supply)	○	Gemvary Products

# BBM40008

Electric door closer

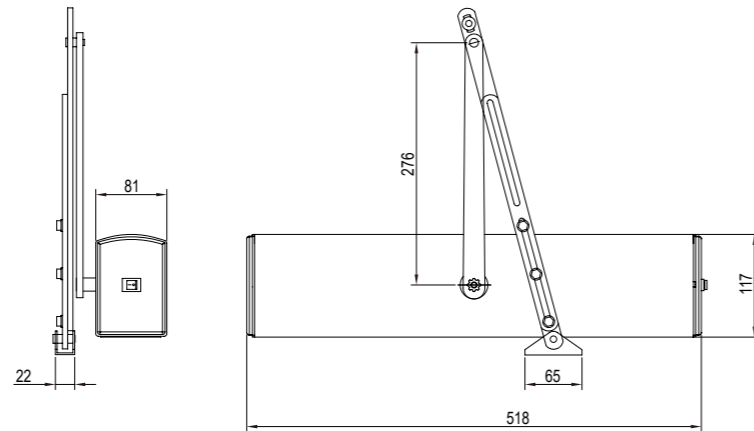
Surface installed Hold Electric



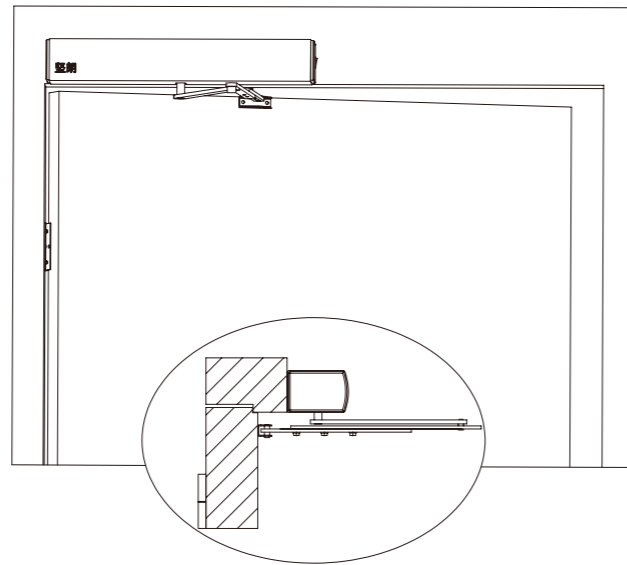
### Technical Parameters

	Max loading	130kg
	Door width	700~1050mm
	Life cycle	>500,000 cycles
	Motor	DC24V 55W(Brushless)
	Voltage	AC100~240V
	Frequency	50 Hz~60 Hz
	Open door operation speed	≤300mm/s
	Speed of closed door operation	≤300mm/s
	Buffer speed	10 ~ 50mm/s
	Open door hold time	0 ~ 60s(Adjustable)
	Manual opening force	≤150N
	Reverse blocking force	≤220N
	Running noise	≤60dB
	Working temperature	-20~55°C
	Switchboard power consumption	85W

### Dimensions



### Installation schematic



### Functional Characteristic

- Past qualify— GB/T 34616 General Technical Requirements Test for Pedestrian Automatic Doors
- Past qualify— JG/T 305 Pedestrian Automatic Door Safety Requirements Test
- Past qualify EN16005 EU CE certification
- Only meet one-way opening; Stop or move backward when meets obstacle, safe and convenient
- Both left and right doors can be used, regardless of left and right side.
- Suitable for wooden doors, metal doors, framed doors and other door types
- Using brushless motor and Hall transducer, long life cycle, low working noise,
- Opening method: fingerprint/ access card/ switch/ sensor/ face recognition opening

☆Tips

- 1.Electric door closer can realizes various functions, it is necessary to order optional accessories according to different functional characteristics
- 2.Safety light curtain and sensor installing place should avoid direct sunlight.
- 3.Electric door closers and their supporting electronic products are not waterproof, and cannot be installed in outdoor, humid, snowy and other environments. The installation site must have conditions for sheltering from rain.

### Standard Products

BBM40015-01 Remote Controls



Additional device (Multifunctional expansion)	● Standard ○ Optional	page
Remote controls	●	P82
Switch	○	P91
Microwave sensor	○	P91
Magnetic lock	○	P367
Safety light curtain	○	P92
Door access control machine	○	/
Laser sensor	○	P93-96
Contactless switch	○	P91
Backup power	○	P92
10 inch smart door cloud host (Need to configure Android cloud door host power supply)	○	Gemvary Products

**BBM40108** New

Electric door closer

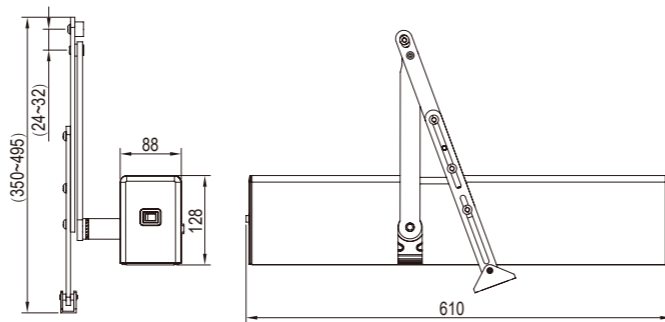
Surface installed Hold Electric



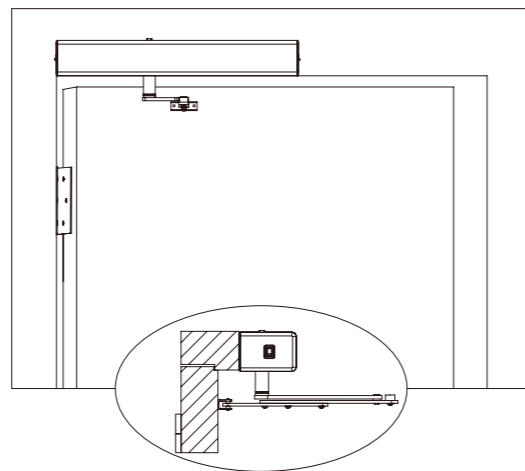
**Technical Parameters**

	Max loading	200kg
	Door width	750~1050mm
	Life cycle	>1000,000 cycles
	Motor	DC24V 100W(Brushless)
	Voltage	AC220V (1±10%)
	Frequency	50 Hz~60 Hz
	Open door operation speed	≤300mm/s
	Speed of closed door operation	≤300mm/s
	Buffer speed	10 ~ 50mm/s
	Open door hold time	1 ~ 30s(Adjustable)
	Manual opening force	≤150N
	Reverse blocking force	≤220N
	Running noise	≤60dB
	Working temperature	-20~45°C
	Switchboard power consumption	100W

**Dimensions**



**Installation schematic**



**Functional Characteristic**

- Past qualify— GB/T 34616 General Technical Requirements Test for Pedestrian Automatic Doors
- Past qualify— JG/T 305 Pedestrian Automatic Door Safety Requirements Test
- Past qualify EN16005 EU CE certification
- Only meet one-way opening; Stop or move backward when meets obstacle, safe and convenient
- Both left and right doors can be used, regardless of left and right side.
- Suitable for wooden doors, metal doors, framed doors and other door types
- Using brushless motor and Hall transducer, long life cycle, low working noise,
- Opening method: fingerprint/ access card/ switch/ sensor/ face recognition opening

☆Tips

- 1.Electric door closer can realizes various functions, it is necessary to order optional accessories according to different functional characteristics
- 2.Safety light curtain and sensor installing place should avoid direct sunlight.
- 3.Electric door closers and their supporting electronic products are not waterproof, and cannot be installed in outdoor, humid, snowy and other environments. The installation site must have conditions for sheltering from rain.

**Optional Products**

BBP80001 Adjusting device (Necessary)



☆Adjusting device is necessary during testing/ installing, Additional order required.

Additional device (Multifunctional expansion)	Standard		page
	Optional	Necessary	
Switch	○		P91
Microwave sensor	○		P91
Magnetic lock	○		P367
Safety light curtain	○		P92
Door access control machine	○		/
Laser sensor	○		P93-96
Contactless switch	○		P91
Backup power	○		P92
Adjusting device		★	P84
10 inch smart door cloud host (Need to configure Android cloud door host power supply)	○		Gemvary Products

# BBM40305 New

Electric door closer

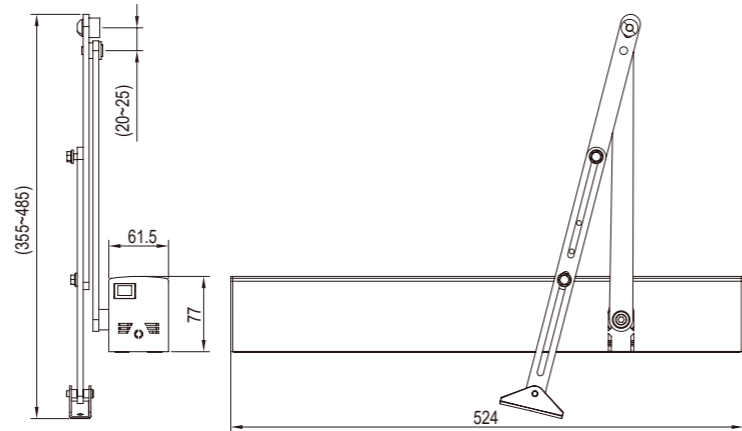
Surface installed Hold Electric



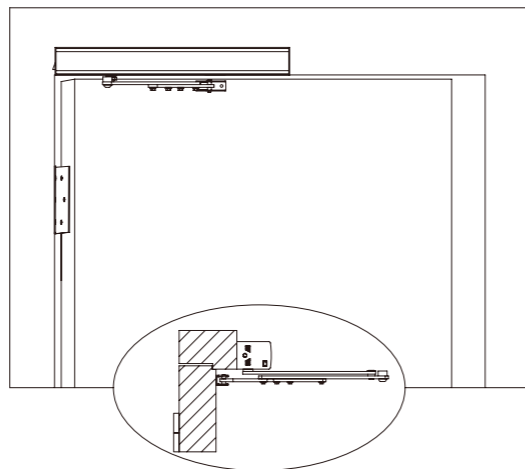
### Technical Parameters

	Max loading	80kg
	Door width	600~900mm
	Life cycle	>1000,000 cycles
	Motor	DC24V 70W(Brushless)
	Voltage	AC220V (1±10%)
	Frequency	50 Hz~60 Hz
	Open door operation speed	≤300mm/s
	Speed of closed door operation	≤300mm/s
	Buffer speed	10 ~ 50mm/s
	Open door hold time	1 ~ 30s(Adjustable)
	Manual opening force	≤150N
	Reverse blocking force	≤220N
	Running noise	≤60dB
	Working temperature	-20~45°C
	Switchboard power consumption	70W

### Dimensions



### Installation schematic



### Functional Characteristic

- Past qualify— GB/T 34616 General Technical Requirements Test for Pedestrian Automatic Doors
- Past qualify— JG/T 305 Pedestrian Automatic Door Safety Requirements Test
- Past qualify EN16005 EU CE certification
- Only meet one-way opening; Stop or move backward when meets obstacle, safe and convenient
- Both left and right doors can be used, regardless of left and right side.
- Suitable for wooden doors, metal doors, framed doors and other door types
- Using brushless motor and Hall transducer, long life cycle, low working noise,
- Opening method: fingerprint/ access card/ switch/ sensor/ face recognition opening

☆Tips

- 1.Electric door closer can realizes various functions, it is necessary to order optional accessories according to different functional characteristics
- 2.Safety light curtain and sensor installing place should avoid direct sunlight.
- 3.Electric door closers and their supporting electronic products are not waterproof, and cannot be installed in outdoor, humid, snowy and other environments. The installation site must have conditions for sheltering from rain.

### Optional Products

BBM40315-05 Remote Controls (Standard)



BEP10001 Adjusting device (Necessary)

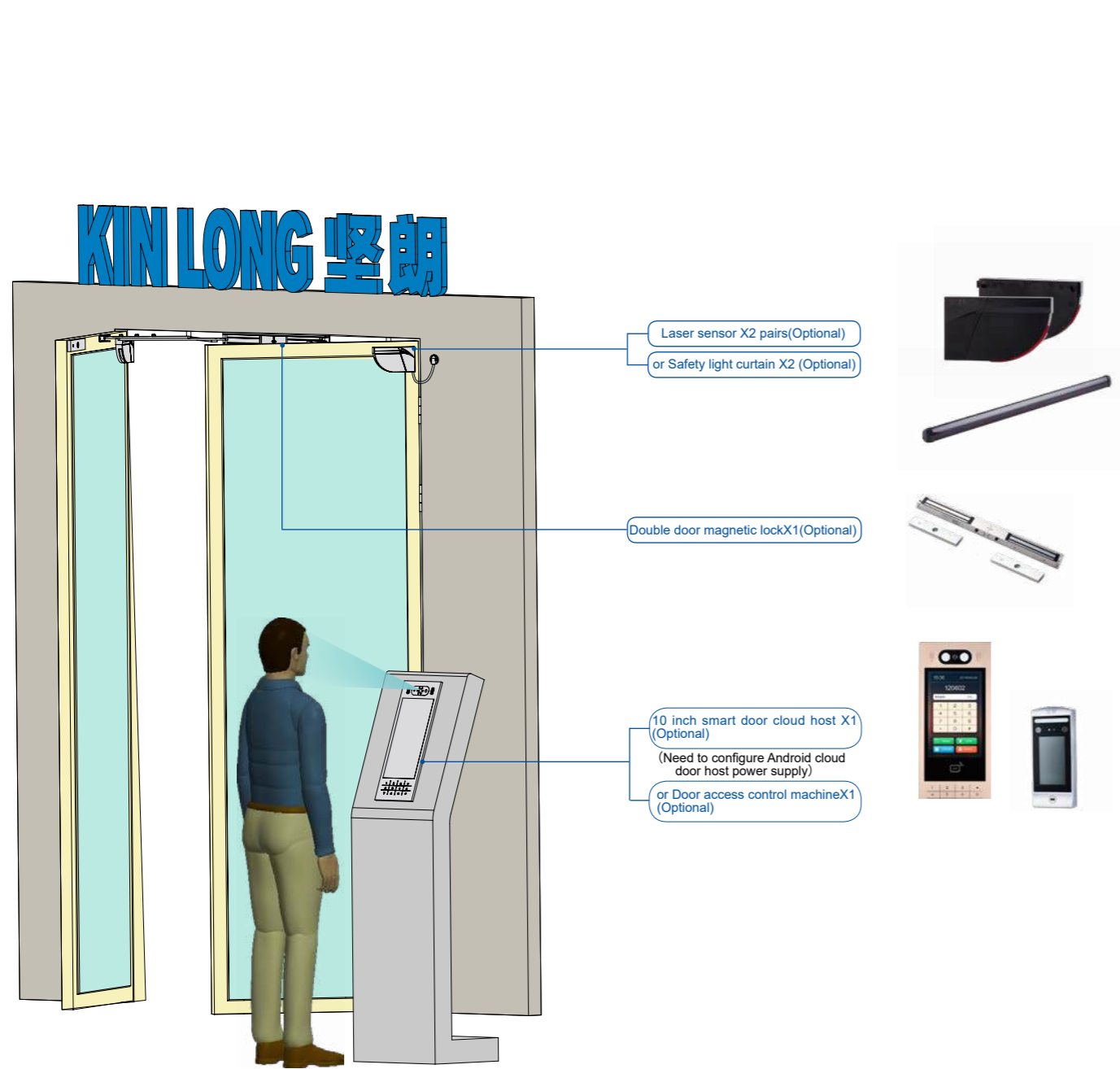


☆Adjusting device is necessary during testing/ installing, Additional order required.

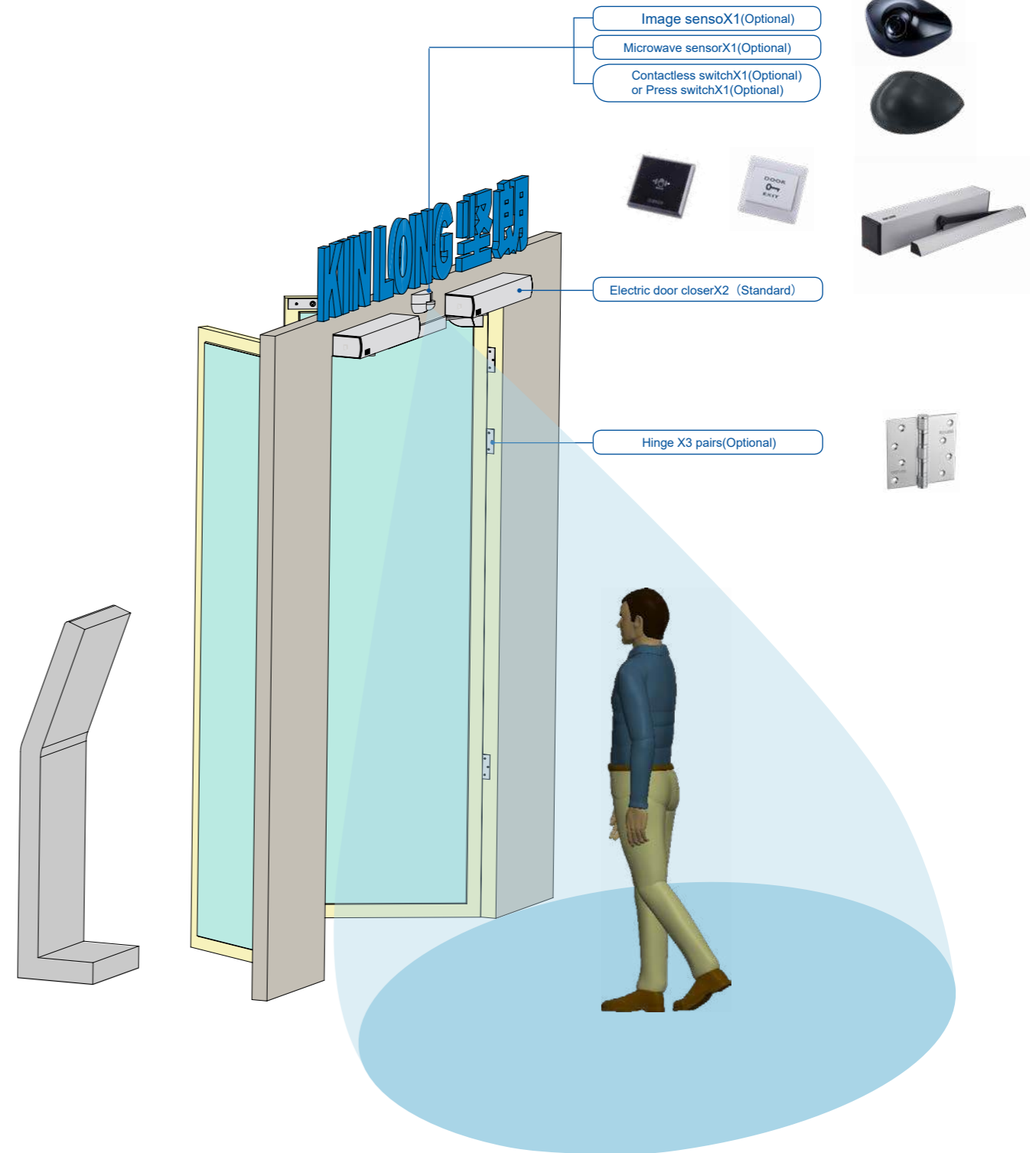
Additional device (Multifunctional expansion)	● Standard	○ Optional	page
	★ Necessary		
Remote controls	●		P86
Switch		○	P91
Microwave sensor		○	P92
Magnetic lock		○	P367
Safety light curtain		○	P92
Door access control machine		○	/
Laser sensor		○	P93-96
Contactless switch		○	P91
Backup power		○	P92
Adjusting device	★		P86
10 inch smart door cloud host (Need to configure Android cloud door host power supply))		○	Gemvary Products



Electric door closer, rocker arm type contactless door hardware integrated configuration scheme (outdoor)



Electric door closer, rocker arm type contactless door hardware integrated configuration scheme (indoor)





### Standard accessories for electric floor hinges and door closers

BBP41201A Contact free special room switch **New**



Scope of application	Automatic toilet doors for the disabled at high-speed railway stations, airports and other places
Main Functions	Door opening switch
Key Features	when the inner panel is locked, the function of the outer panel is disabled; when the inner panel is unlocked, the function of the outer panel is enabled
Distance of induction	0-7cm adjustable
Voice Prompt	Chinese, English
Operating voltage	AC/DC 12-36V
Operating current	110mA (standby), 135mA (action)
Standard product configuration	Inside panel, outside panel, horn, controller
Overall dimensions	282*108*15.5mm

BBP41201B Contact free special room switch **New**



Scope of application	Automatic doors of public toilets in high-speed railway stations, airports and other places
Main Functions	Door opening switch
Key Features	when the inner panel is locked, the function of the outer panel is disabled; when the inner panel is unlocked, the function of the outer panel is enabled
Distance of induction	0-7cm adjustable
Voice Prompt	Chinese, English
Operating voltage	AC/DC 12-36V
Operating current	110mA (standby), 135mA (action)
Standard product configuration	Inside panel, outside panel, horn, controller
Overall dimensions	282*108*15.5mm

BBP41201C Contact free special room switch **New**



Scope of application	Automatic door of mother and baby room in high-speed railway station, airport and other places
Main Functions	Door opening switch
Key Features	when the inner panel is locked, the function of the outer panel is disabled; when the inner panel is unlocked, the function of the outer panel is enabled
Distance of induction	0-7cm adjustable
Voice Prompt	Chinese, English
Operating voltage	AC/DC 12-36V
Operating current	110mA (standby), 135mA (action)
Standard product configuration	Inside panel, outside panel, horn, controller
Overall dimensions	282*108*15.5mm

Standard accessories for electric floor hinges and door closers

BBM40015-10 Switch



main material	ABS
Features	Click to open the door (press type)
Dimensions	86*86(panel)

BBP40401 Contactless switch



Sensing distance	3-30cm
Power supply	AC/DC 12-24V
Quiescent Current	7.3 mA @ DC 12V
Operating current	4.2 mA @ DC 12V
Output of signal	NO/COM/NC
Infrared modulation frequency	3.8 KHz
Output hold time	1.00 s
Operating temperature	-20°C ~ 45°C
Dimensions	86*86*14mm

BBP41301 Wireless contactless switch **New**



Distance of induction	3-18cm
Power supply power	AC/DC 12-24V
Static current	34 mA @ DC 12V
Operating current	62 mA @ DC 12V
Output of signal	NO/COM/NC
Infrared modulation frequency	3.8 KHz
Launch distance	30 m (empty space)
Output hold time	1.5 s
Operating temperature	-20°C ~ 45°C
Overall dimensions	135*36*10mm

BBM40015-09 Microwave Sensor



main material	ABS
Surface treatment	black
Technical Principle	Microwave Doppler radar
Transmit frequency	24.15GHz
Transmit power	< 5 mW /cm <sup>2</sup>
Installation height	≤3.2m
Operating Voltage	AC/DC 12V-24V
Detection method	mobile
Dimensions	115.5*72mm

Standard accessories for electric floor hinges and door closers

BBP40901 Image sensor **New**



Scope of application	Electric casement door
Main Functions	Humanoid, mobile detection, output door open signal
Installation height	1.8-6m
Camera resolution	1920*1080
Angle adjustment	30° adjustable
working voltage	AC/DC 12-30V
working current	150mA
Output of signal	NO/COM/NC
Operating temperature	-20°C to 65°C
Overall dimensions	118*81*55mm

BBP41001 Safety light curtain **New**



Induction height	≤3.5m
Main Functions	Anti-clip and anti-touch
working voltage	AC/DC 12-24V
working current	170mA@AC12V, 130mA@DC12V
Output of signal	NO/COM/NC
Principle of Operation	Active infrared background analysis
Operating temperature	-25°C to 55°C
Overall dimensions	700*47*46mm

BBP40101 Safety light curtain



Induction height	< 2.5 m
Main Functions	Anti-clip and anti-touch
working voltage	AC/DC 24V
working current	< 110 mA
Output of signal	NO/COM/NC
Principle of Operation	Active infrared background analysis
Operating temperature	-20°C to 60°C
Overall dimensions	755*41.5*38mm

BBP40501 Backup power



Types of	Rechargeable lead-acid battery
Capacity	24V/5.6AH
Power supply time	Normal power supply for 2h
Standard	1 charger and 1 set of rechargeable lead-acid

BDP80001 backup battery



physical dimension	155mmX50mmX70mm
Input voltage	DC24V
The output voltage	DC24V/2.6AH
Capacity	2000mAh
Endurance	Normal power supply for 2h

# BBP40601

Laser sensor

Electric



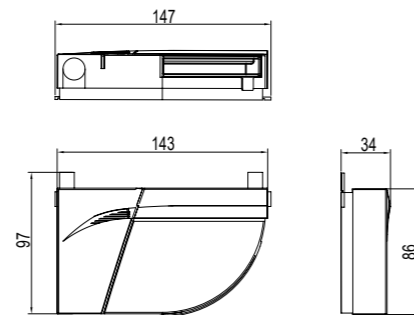
Door Closer

Door Closer

### Technical Parameters

Maximum detection range	4m (diagonal), reflectivity 2% (that is, when the width is 1.5m, the highest is 3.7m)
Opening angle of detection area	Door sash protection zone: 90° / Anti-pinch protection zone: 16°
Angular resolution	Door sash protection zone: 1.3° / Anti-pinch protection zone: 0.2°
Standard minimum target size	10 cm @ 4m (Proportional to the distance to the target, DIP 2 = ON)
Door sector	2 cm @ 4m (proportional to the distance to the target, DIP 2 = ON)
Anti-pinch area	
Test body	700mm × 300mm × 200mm (The test body CA conforms to EN 16005 and DIN 18650 standards)
Source characteristics	Infrared laser: wavelength 905nm; maximum output pulse power 25W; level 1
Supply voltage	12 ~ 24V DC ±15 %
power	≤ 2W
Response time	Door safety zone: up to 50ms / anti-pinch safety zone: up to 90ms
Output	2 electronic relays (isolated-no polarity)
Maximum switching voltage	42V AC/DC 100 mA
LED-signal	1 two-color LED: detection / output status
Material-color	PC/ASA-black
Slope	+2° ~ +10° (without mounting base)
Temperature range	-20°C ~ 60°C (Under power supply)
Environment humidity	0 ~ 95%, No condensation
Vibration	< 2G
Minimum door opening speed	2°/second

### Dimensions & Functional Characteristic



- The detection area is adjustable, up to 4m (diagonal), suitable for various automatic swing doors.
- 170 laser points, 100% ensure the safety of the door sash area. Not affected by the ground and environment, stable and reliable operation.
- Extended area protection function to ensure the safety of the door.
- Innovative hinge area protection can detect small objects like fingers.

### Optional accessories

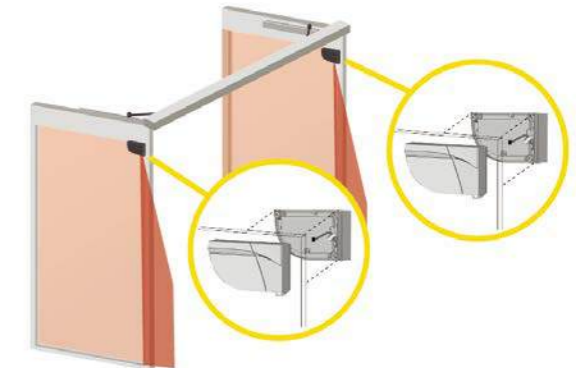
**BBP40701** Remote Control (Optional)



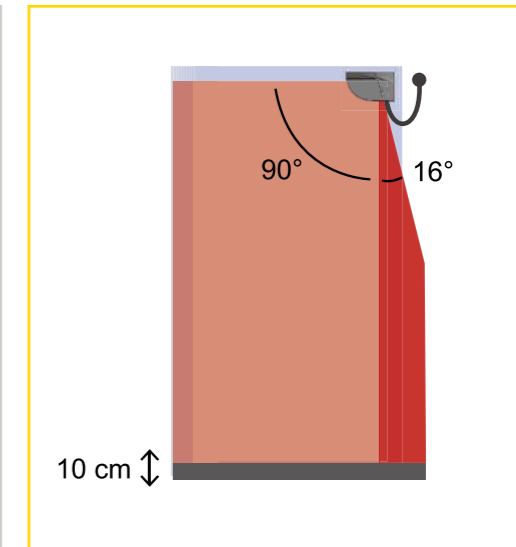
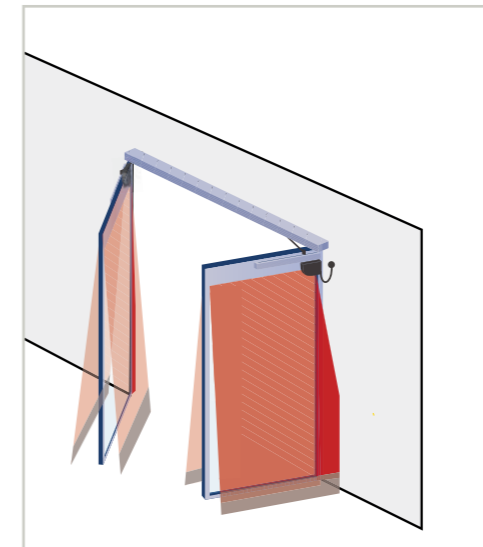
Installation and debugging use, purchase separately

### Installation instructions

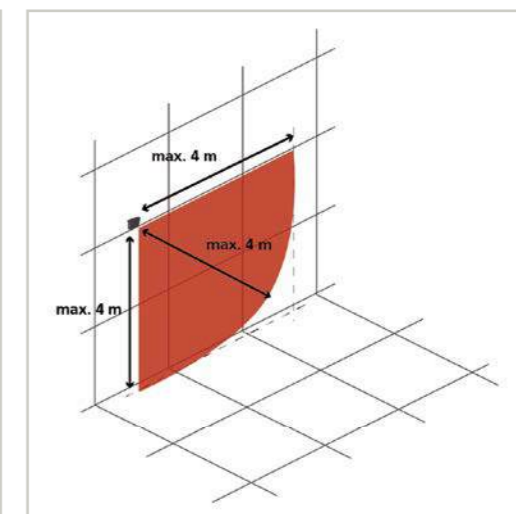
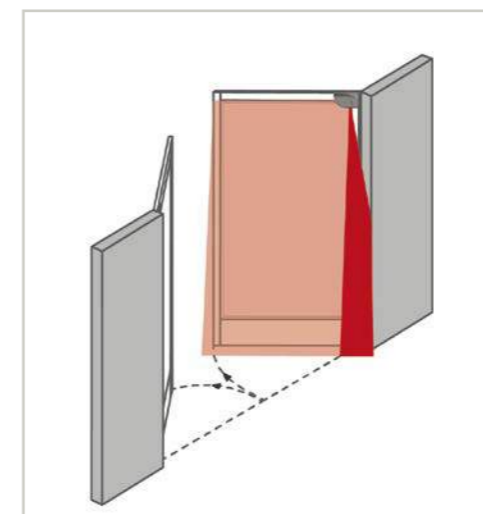
**⚠** In order to ensure safety, one set (2) of laser sensors must be installed on both the inside and outside of each door sash, and the two laser sensors are connected through the main accessory module connection cable.



### Detection area



■ Door safety area  
Standard target size: 10 cm @4 m
 ■ Anti-pinch safe area  
Standard target size: 2cm @4m
 ■ Blind spot  
Adjust by remote control, factory value: 10 cm



# BBP40801L

Laser sensor(one-sided)

Electric

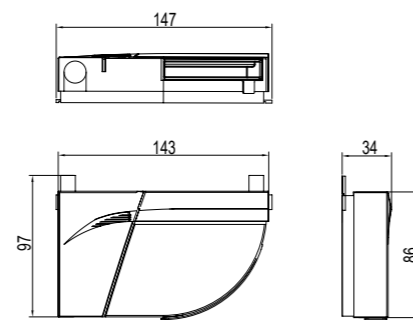


Door Closer

### Technical Parameters

Maximum detection range	4m (diagonal), reflectivity 2% (that is, when the width is 1.5m, the highest is 3.7m)
Opening angle of detection area	Door sash protection zone: 90°
Angular resolution	Door sash protection zone: 1.3°
Standard minimum target size	10 cm @ 4m (Proportional to the distance to the target, DIP 2 = ON)
Door sector Anti-pinch area	10 cm @ 4m (Proportional to the distance to the target, DIP 2 = ON)
Test body	700mm × 300mm × 200mm(The test body CA conforms to EN 16005 and DIN 18650 standards)
Source characteristics	Infrared laser: wavelength 905nm; maximum output pulse power 25W; level 1
Supply voltage	12 ~ 24V DC ±15 %
power	≤ 2W
Response time	Door safety zone: up to 50ms
Output Maximum switching voltage	2 electronic relays (isolated-no polarity) 42V AC/DC 100 mA
LED-signal	1 two-color LED: detection / output status
Material-color	PC/ASA-black
Slope	+2° ~ +10° (without mounting base)
Temperature range	-20°C ~ 60°C(Under power supply)
Environment humidity	0 ~ 95%, No condensation
Vibration	< 2G
Minimum door opening speed	2°/second

### Dimensions & Functional Characteristic



- The detection area is adjustable, up to 4m (diagonal), suitable for various automatic swing doors.
- Not affected by the ground and environment, stable and reliable operation.
- Extended area protection function to ensure the safety of the door.
- The hinge area does not have the anti-pinch function.

# BBP40801R

Laser sensor(one-sided)

Electric

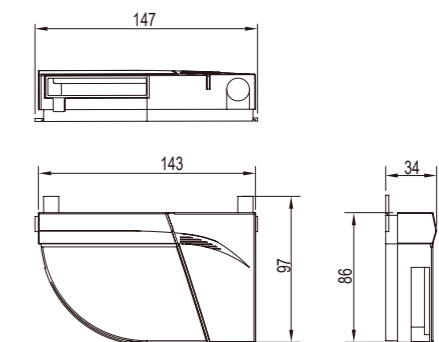


Door Closer

### Technical Parameters

Maximum detection range	4m (diagonal), reflectivity 2% (that is, when the width is 1.5m, the highest is 3.7m)
Opening angle of detection area	Door sash protection zone: 90°
Angular resolution	Door sash protection zone: 1.3°
Standard minimum target size	10 cm @ 4m (Proportional to the distance to the target, DIP 2 = ON)
Door sector Anti-pinch area	10 cm @ 4m (Proportional to the distance to the target, DIP 2 = ON)
Test body	700mm × 300mm × 200mm(The test body CA conforms to EN 16005 and DIN 18650 standards)
Source characteristics	Infrared laser: wavelength 905nm; maximum output pulse power 25W; level 1
Supply voltage	12 ~ 24V DC ±15 %
power	≤ 2W
Response time	Door safety zone: up to 50ms
Output Maximum switching voltage	2 electronic relays (isolated-no polarity) 42V AC/DC 100 mA
LED-signal	1 two-color LED: detection / output status
Material-color	PC/ASA-black
Slope	+2° ~ +10° (without mounting base)
Temperature range	-20°C ~ 60°C(Under power supply)
Environment humidity	0 ~ 95%, No condensation
Vibration	< 2G
Minimum door opening speed	2°/second

### Dimensions & Functional Characteristic



- The detection area is adjustable, up to 4m (diagonal), suitable for various automatic swing doors.
- Not affected by the ground and environment, stable and reliable operation.
- Extended area protection function to ensure the safety of the door.The
- hinge area does not have the anti-pinch function.

## Door closer series

The shell is made of high-strength die-casting aluminum alloy ADC12, which has gone through more than 20 processes such as rough boring, fine boring, ultrasonic cleaning, impregnation, etc., so as to ensure the precision and finish of the cylinder



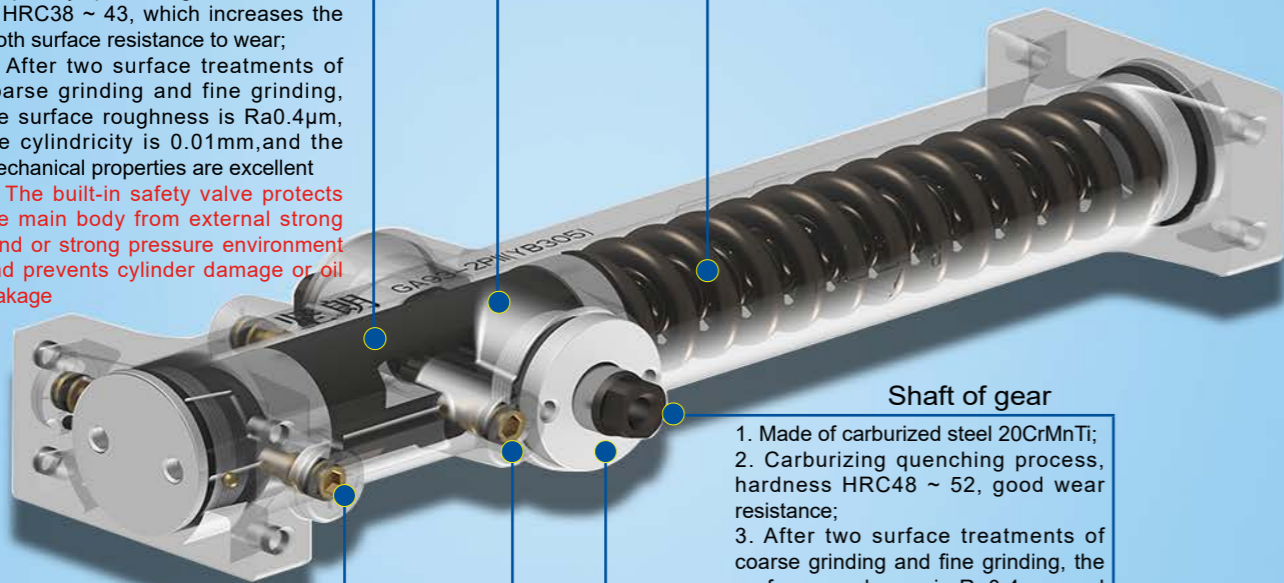
The piston

1. Made of high-quality carbon structural steel: 45# steel, with high hardness and good toughness;
2. The tooth surface is treated by high-frequency quenching, the hardness is HRC38 ~ 43, which increases the tooth surface resistance to wear;
3. After two surface treatments of coarse grinding and fine grinding, the surface roughness is Ra0.4μm, the cylindricity is 0.01mm, and the mechanical properties are excellent
4. The built-in safety valve protects the main body from external strong wind or strong pressure environment and prevents cylinder damage or oil leakage



The spring

Made of high-quality spring steel 60Si2Mn, it has good toughness, high fatigue strength and long service life



Shaft of gear

1. Made of carburized steel 20CrMnTi;
  2. Carburizing quenching process, hardness HRC48 ~ 52, good wear resistance;
  3. After two surface treatments of coarse grinding and fine grinding, the surface roughness is Ra0.4μm, and the mechanical properties are excellent
- 2 section locking speed regulating valve  
1 section closing speed regulating valve

2-stage door lock speed regulator

1-stage closing speed regulator



Needle roller bearing

Needle roller bearing structure, reduce friction, reduce noise, reduce the opening resistance, increase the closing force



## Installation

According to different uses and requirements, for each type of KIN LONG door closer, Client can choose different installation style such as standard installation, upside-down installation and parallel installation. When choosing parallel installation, you need to choose parallel bracket accessories



Standard Installation Illustration



upside-down installation Illustration



Parallel Mounting Illustration

## Classification of door closers



Surface mounted rocker arm type



Surface mounted slide rail type



Hidden slide rail type

## Feature selection

Two-stage speed control range: 90°~15° is the closing phase, 15°~0° is the blocking phase.  
90° holding(D)function: The door can be opened to the 90° position.  
Door closing speed and blocking speed can be adjusted independently.

Door opening buffer(BC)function:

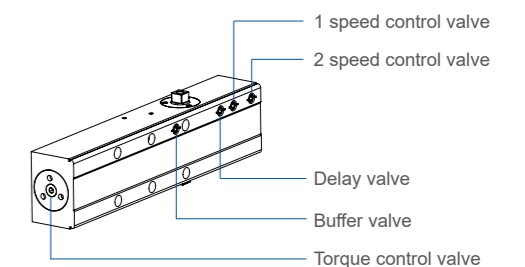
When the door opening angle is greater than 65°, there will be obvious resistance when opening the door.

Delay(DA)door closing function:

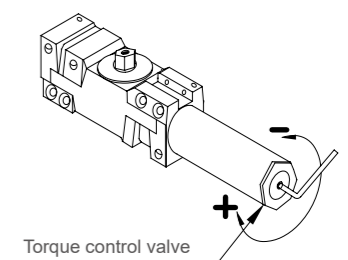
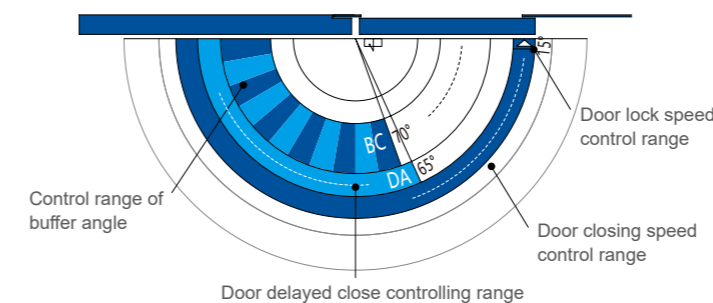
When the door opening angle is greater than 65°, the door sash will delay its closing time to 65° position and resume normal speed.

Door opening torque adjustment function:

By adjusting the number of turns of the torque regulating valve, the requirements of different door widths and weights can be realized.



## Functional angle range



Torque control valve

# Product Certificate



## CERTIFICATE OF COMPLIANCE

**Certificate Number** R39973  
**Report Reference** R39973-20190717  
**Issue Date** 2021-JUNE-23

**Issued to:** GUANGDONG KIN LONG HARDWARE PRODUCTS CO LTD  
 NO.3, JIAN LANG RD., DAPING, TANGXIA TOWN DONGGUAN, GUANGDONG CHINA

**This certificate confirms that representative samples of** SWINGING FIRE DOOR CLOSERS  
 For self-closing doors, without hold-open feature, surface mounted types, size 2-6  
 BBM60106, BBM60006, BBM60206  
 For self-closing doors, without hold-open feature, concealed mounted type, size 2-4  
 BBM60014

Have been investigated by UL in accordance with the Standard(s) indicated on this Certificate.

**Standard(s) for Safety:** UL 228 - Door Closers-Holders, With or Without Integral Smoke Detectors  
 CAN/ULC - S133 & CAN/ULC-S133:2016-R2020 - Door Closers Intended for Use with Swinging Doors

**Additional Information:** See the UL Online Certifications Directory at <https://iq.ulprospector.com> for additional information.

This Certificate of Compliance does not provide authorization to apply the UL Mark. Only the UL Follow-Up Services Procedure provides authorization to apply the UL Mark.

Only those products bearing the UL Mark should be considered as being UL Certified and covered under UL's Follow-Up Services.

Look for the UL Certification Mark on the product.

*Bruce Malenbois*  
Bruce Malenbois, Director North American Certification Program  
UL LLC  
Any information and documentation involving UL Mark services are provided on behalf of UL LLC (UL) or any authorized licensee of UL. For questions, please contact a local UL Customer Service Representative at <http://ul.com/about/locate>

Page 1 of 1

## Certificate of Compliance

**Certificate Holder:** Guangdong Kin Long Hardware Products Co., Ltd.  
 No.3, Jian Lang Road, Tangxia Town, Dongguan City, Guangdong Province

**Certification ECM Mark:**

**Product:** Door closer  
**Model(s):** (see the following annex)

**Verification to:** Standard: EN 1154:1996/A1:2002/AC:2006  
 related to CE Directive(s): 8305/2011 (Regulation for the Marketing of Construction Products)

**Remarks:** This document has been based on a voluntary basis and upon request of the manufacturer. It is our opinion that the technical documentation received from the manufacturer is satisfactory for the requirements of the ECM Certification Mark. The conformity mark above can be affixed on the products accordingly to the ECM regulation about its release and its use.

**Additional information and clarification about the Marking:**  
 The manufacturer is responsible for the CE Marking process, and if necessary, must refer to a Notified Body. This document has been based on the basis of the regulation on ECM Voluntary Mark for the certification of products. RG31\_ECM rev.3 available at [www.enteccema.it](http://www.enteccema.it)

**Issuance date:** 27 December 2021  
**Expiry date:** 23 December 2024

Ente Certificazione Macchine Srl  
Via Ciri' Salvo, 243 - Loc. Casello di Serravalle - 40053 Valsamoggia (BO) - ITALY  
☎ +39 051 4705141 ☎ +39 051 4705154 ✉ info@enteccema.it www.enteccema.it

## Certificate of Compliance

**Certificate Holder:** Guangdong Kin Long Hardware Products Co., Ltd.  
 No.3, Jian Lang Road, Daping, Tangxia Town, Dongguan City, Guangdong Province

**Certification ECM Mark:**

**Product:** Door closer  
**Model(s):** BBM60006, BBM60106, BBM60206

**Verification to:** Standard: EN 1154:1996/A1:2002/AC:2006  
 related to CE Directive(s): 8305/2011 (Regulation for the Marketing of Construction Products)

**Remarks:** This document has been based on a voluntary basis and upon request of the manufacturer. It is our opinion that the technical documentation received from the manufacturer is satisfactory for the requirements of the ECM Certification Mark. The conformity mark above can be affixed on the products accordingly to the ECM regulation about its release and its use.

**Additional information and clarification about the Marking:**  
 The manufacturer is responsible for the CE Marking process, and if necessary, must refer to a Notified Body. This document has been based on the basis of the regulation on ECM Voluntary Mark for the certification of products. RG31\_ECM rev.3 available at [www.enteccema.it](http://www.enteccema.it)

**Issuance date:** 03 August 2021  
**Expiry date:** 02 August 2024

Ente Certificazione Macchine Srl  
Via Ciri' Salvo, 243 - Loc. Casello di Serravalle - 40053 Valsamoggia (BO) - ITALY  
☎ +39 051 4705141 ☎ +39 051 4705154 ✉ info@enteccema.it www.enteccema.it

European Union Certificate

## 消防产品认证证书

### CERTIFICATE FOR FIRE PRODUCT CERTIFICATION

**认证委托人:** 广东坚朗五金制品股份有限公司  
**地址:** 广东省东莞市塘厦镇草寮路3号  
**生产者:** 广东坚朗五金制品股份有限公司  
**地址:** 广东省东莞市塘厦镇草寮路3号  
**生产企业:** 广东坚朗五金制品股份有限公司  
**地址:** 广东省东莞市塘厦镇大坪大坑街24号  
**产品名称:** 防火门闭门器  
**认证单元:** XF93-3CI (BBM60106)  
**内含:** XF93-3CI (BBM60106) (主型)

**产品认证实施规则:** CCCF-CF92-18: 2019  
**产品认证基本模式:** 型式试验 + 初始工厂检查 + 获证后监督  
**产品标准:** XF 93-2004  
 上述产品符合消防类产品认证实施规则CCCF-CF92-18: 2019的要求, 特发此证。

**首次发证日期:** 2022-08-22  
**发(换)证日期:** 2022年08月22日 **有效期至:** 2027年08月21日

本证书的有效性需依靠通过证后监督获得保持, 本证书的相关信息可通过中国消防产品信息网 [www.cccf.com.cn](http://www.cccf.com.cn) 查询

中国认可  
产品  
PRODUCT  
CNAS C073-P

应急管理部消防产品合格评定中心  
 中国·北京市东城区东直门内大街16号 100017  
<http://www.cccf.com.cn>

## 消防产品认证证书

### CERTIFICATE FOR FIRE PRODUCT CERTIFICATION

**认证委托人:** 广东坚朗五金制品股份有限公司  
**地址:** 广东省东莞市塘厦镇草寮路3号  
**生产者:** 广东坚朗五金制品股份有限公司  
**地址:** 广东省东莞市塘厦镇草寮路3号  
**生产企业:** 广东坚朗五金制品股份有限公司  
**地址:** 广东省东莞市塘厦镇大坪大坑街24号  
**产品名称:** 防火门闭门器  
**认证单元:** XF93-3CI (BBM60106)  
**内含:** XF93-3CI (BBM60106) (主型)

**产品认证实施规则:** CCCF-CF92-18: 2019  
**产品认证基本模式:** 型式试验 + 初始工厂检查 + 获证后监督  
**产品标准:** XF 93-2004  
 上述产品符合消防类产品认证实施规则CCCF-CF92-18: 2019的要求, 特发此证。

**首次发证日期:** 2022-03-09  
**发(换)证日期:** 2022年06月30日 **有效期至:** 2027年03月08日

本证书的有效性需依靠通过证后监督获得保持, 本证书的相关信息可通过中国消防产品信息网 [www.cccf.com.cn](http://www.cccf.com.cn) 查询

中国认可  
产品  
PRODUCT  
CNAS C073-P

应急管理部消防产品合格评定中心  
 中国·北京市东城区东直门内大街16号 100017  
<http://www.cccf.com.cn>

China Fire Certification

UL American Standard certification



# American standard door closers

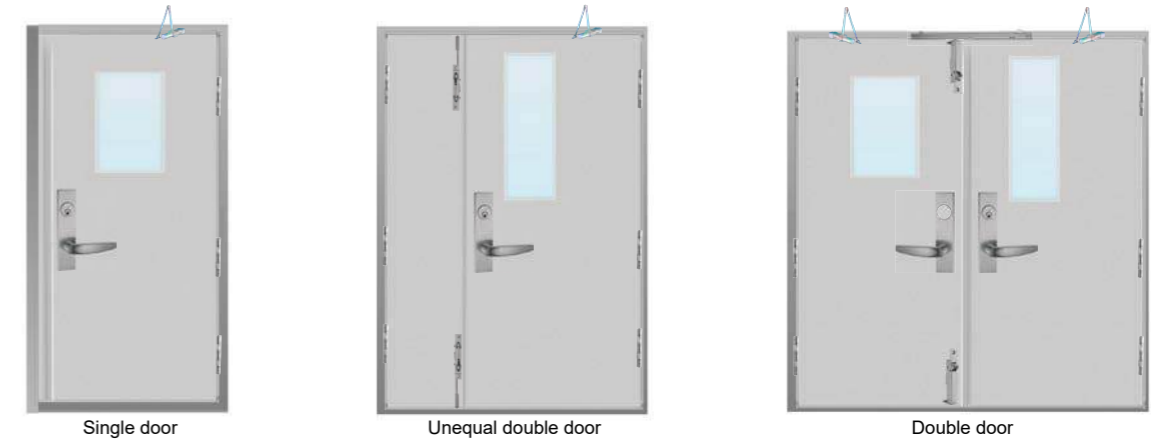
## American Standard Series Hardware Configuration



### American standard mortise lock configuration scheme

American standard mortise lock:

1. 8 different decorative pieces, 8 different functions;
2. Passed the American standard ANSI / BHMA A 156.13 first-class test, durability is more than 1 million times; passed UL10C 270 minutes fire test;
3. Passed the GB12955 standard 90 minutes fire test

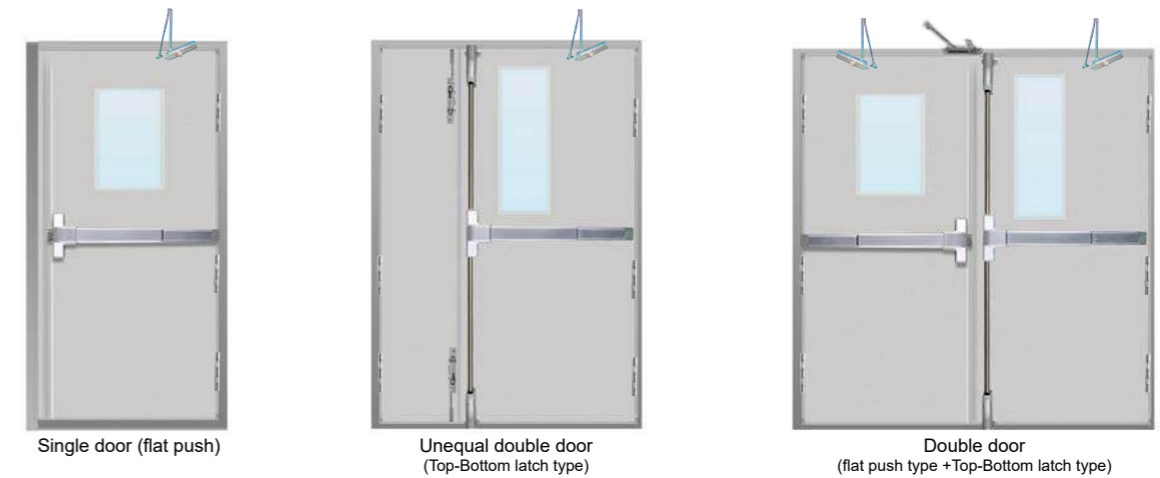


Application places	American Standard Mortise Lock	quantity	American standard door closer	quantity	American Standard Hinge	quantity	latch	quantity	Concealed sequencer	quantity
Single door		1 sets		1PCS		3 slice	/	/		/
unequal double door		1 sets		1PCS		6 slice	Concealed latch for steel door	2PCS		/
Double door		2 sets (One set for fake lock)		2PCS		6 slice	Automatic Concealed latch	2PCS		1PCS

### American standard escape push lock configuration scheme

American standard escape push lock:

1. Passed the American standard ANSI / BHMA A 156.3 first-class test, the durability is greater than 500,000 times; passed the UL10C 90minutes fire test;
2. passed the GB12955 standard 90 minutes fire test



Application places	exterior decoration	quantity	American Standard Escape Push Rod	quantity	American standard door closers	quantity	American standard hinge	quantity	Concealed latch for steel door	quantity	Heavy duty sequencer	quantity
Single door		1 sets	Flat push	one set of flat push		1PCS		3 slice		/		/
unequal double door		1 sets	heaven and earth bar type	one set of heaven and earth pole		1PCS		6 slice		2PCS		/
Double door		2 sets		one set of flat push + one set of heaven and earth pole		2PCS		6 slice		/		1PCS

Remarks:

- American standard door closers: The service life meets the requirements of the first-class products of the United States ANSI/BHMA A156.4; the service life:> 2 million times.  
 The American standard hinge: 1. Pass the American standard ANSI A156.1 secondary standard test The cycling life can be 1.5 million times;  
 2. Pass the 90 minutes fire test of GB12955 standard. Concealed latch, sequencer: Pass the 90 minutes fire test of GB12955 standard



# BBM60006

Door closer

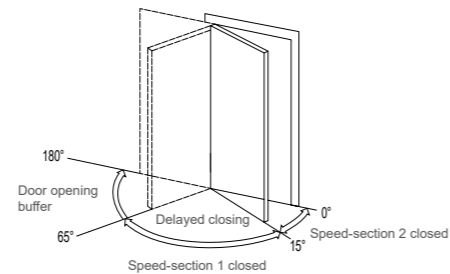
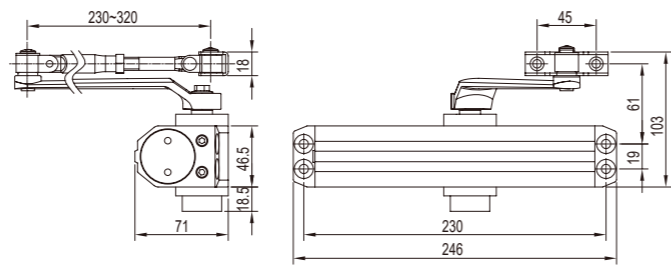
Surface installed
Delayed
Buffered
Adjustable
180°
Non-hold
Two



### Technical Parameters

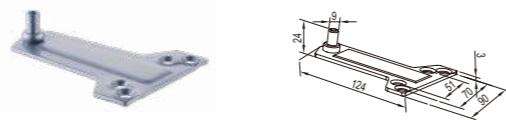
	Positioning type	Non-hold
	Door width	650~1500mm
	Maximum Loading	15~150kg
	Service life	≥2000,000 Cycles
	Speed control	Two speed section
	Surface treatment	Silver gray
	Passed ANSI / BHMA A156.4 first-class requirements	
	Passed UL228, UL10C (3h fire protection) certificationification	
	Passed the test of EN1154 standard of door closing detection	
	Gained the national fire protection product certification/Passed public safety standard XF 93	
	Exit door or Fire-proof door must adopt the door closer without the hold function	
	It can be used on both left and right side door	
	Only for single side open, and suit for wooden door, metal door and frame door etc.	
	Door opening buffering function: When the door opening angle is greater than 65°, there will be obvious resistance for opening the door	
	Door closing delay function: When the door opening Angle is greater than 65°, the door will delay its closing time to 65° position to restore the normal speed, so that slow personnel have enough time to pass	
	Adjustable torque: the opening force can be adjusted according to the size and weight of the door	

### Dimensions & Functional Characteristic



Parallel bracket BBP20101 (optional)

For parallel installation, purchase separately



# BBM60106

Door closer

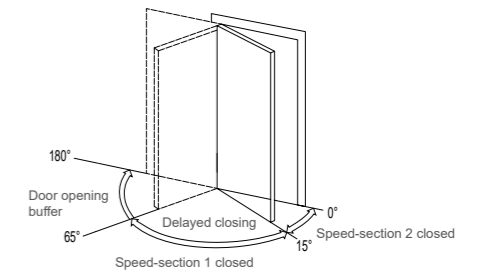
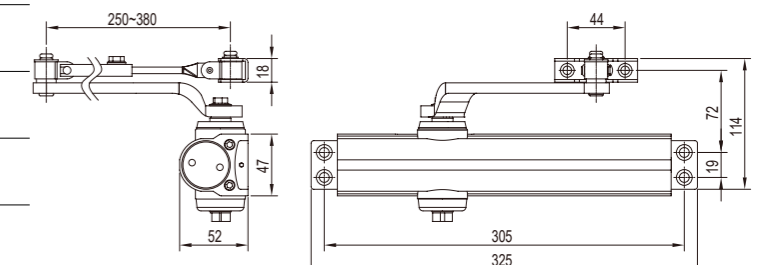
Surface installed
Delayed
Buffered
Adjustable
180°
Non-hold
Two



### Technical Parameters

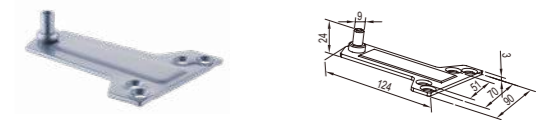
	Positioning type	Non-hold
	Door width	650~1500mm
	Maximum Loading	15~150kg
	Service life	≥2000,000 Cycles
	Speed control	Two speed section
	Surface treatment	Silver gray
	Passed ANSI / BHMA A156.4 first-class requirements	
	Passed UL228, UL10C (3h fire protection) certificationification	
	Passed the test of EN1154 standard of door closing detection	
	Gained the national fire protection product certification/Passed public safety standard XF 93	
	Exit door or Fire-proof door must adopt the door closer without the hold function	
	It can be used on both left and right side door	
	Only for single side open, and suit for wooden door, metal door and frame door etc.	
	Door opening buffering function: When the door opening angle is greater than 65°, there will be obvious resistance for opening the door	
	Door closing delay function: When the door opening Angle is greater than 65°, the door will delay its closing time to 65° position to restore the normal speed, so that slow personnel have enough time to pass	
	Adjustable torque: the opening force can be adjusted according to the size and weight of the door	

### Dimensions & Functional Characteristic



Parallel bracket BBP20101 (optional)

For parallel installation, purchase separately









# BBM60206











Door closer


Surface installed
Delayed
Bufferd
Adjustable
180°
Non-hold
Two

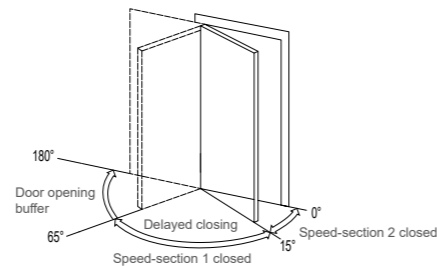
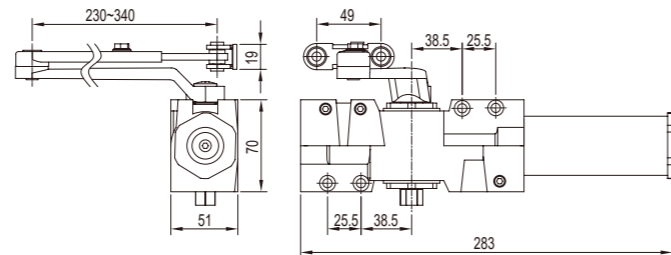


### Technical Parameters

	Positioning type	Non-hold
	Door width	650~1500mm
	Maximum Loading	15~150kg
	Service life	≥2000,000 Cycles
	Speed control	Two speed section
	Surface treatment	Silver gray

-  Passed ANSI / BHMA A156.4 first-class requirements
-  Passed UL228, UL10C (3h fire protection) certificationification
-  Passed the test of EN1154 standard of door closing detection
-  Gained the national fire protection product certification/Passed public safety standard XF 93
-  Exit door or Fire-proof door must adopt the door closer without the hold function
-  It can be used on both left and right side door
-  Only for single side open, and suit for wooden door, metal door and frame door etc.
-  **Door opening buffering function: When the door opening angle is greater than 65°, there will be obvious resistance for opening the door**
-  **Door closing delay function: When the door opening Angle is greater than 65°, the door will delay its closing time to 65° position to restore the normal speed, so that slow personnel have enough time to pass**
-  **Adjustable torque: the opening force can be adjusted according to the size and weight of the door**

### Dimensions & Functional Characteristic



Parallel bracket BBP20101 (optional)

For parallel installation, purchase separately









# BBM60014









Door closer


Concealed
Adjustable
Bufferd
110°
Non-hold
Two

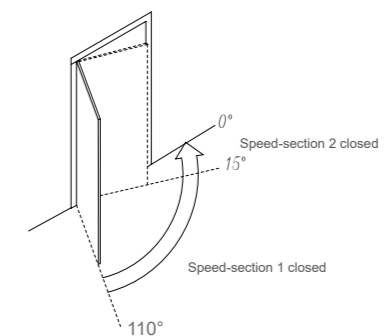
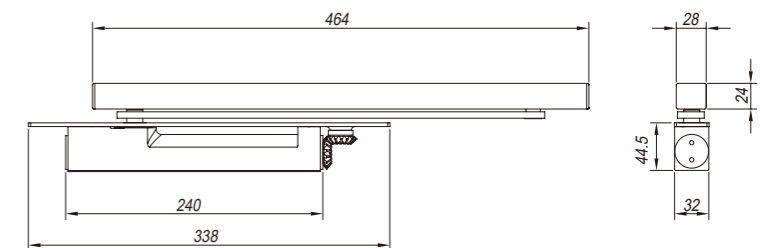


### Technical Parameters

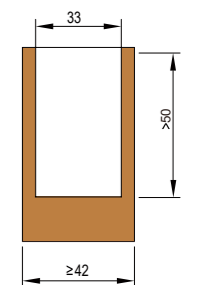
	Positioning type	Non-hold
	Door width	650~1100mm
	Maximum Loading	45~85kg
	Service life	>500,000 Cycles
	Speed control	Two speed section
	Surface treatment	ilver gray (Color can be customized)

-  Passed UL228, UL10C (3h fire protection) certificationification
-  Exit door or Fire-proof door must adopt the door closer without the hold function
-  It can be used on both left and right side door
-  Only for single side open, and suit for wooden door, metal door and frame door etc.
-  **Adjustable torque: the opening force can be adjusted according to the size and weight of the door**
-  **With buffer function, effectively protect the door body and hardware products damage**
-  CAM advantage: the opening force decreases rapidly with the increase of the opening Angle, the opening saves effort and the closing is strong  
Closing force: Closing speed and locking speed can be adjusted independently without distinguishing between left and right installation
-  Built-in safety valve, so that the main body in the external strong wind or pressure environment is protected to prevent cylinder damage or oil leakage

### Dimensions & Functional Characteristic



Thickness requirement of wooden casement



Two-section adjustment of closing  
90°~ 15° is closing stage  
15°~ 0° is locking stage



## Fire door closer

### GA93-2CI(B401)

Fire-proof door closers

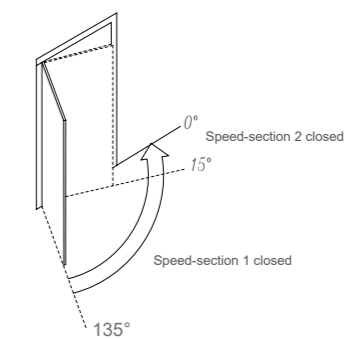
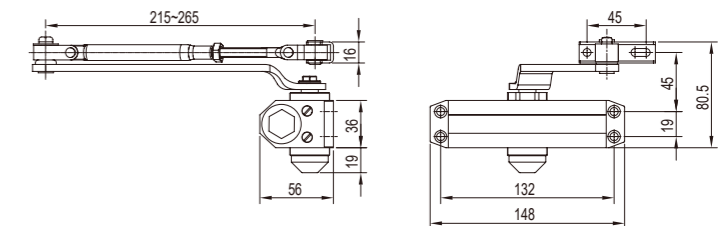
Surface installed 135° Non-hold Two



#### Technical Parameters

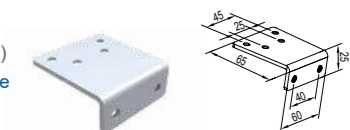
	Positioning type	Non-hold
	Door width	650~900mm
	Maximum Loading	45kg
	Service life	>300,000 Cycles
	Speed control	Two speed section
	Surface treatment	Silver gray (Color can be customized)
	Gained the national fire protection product certification	
	Passed public safety standard GA 93	
	Exit door or Fire-proof door must adopt the door closer without the hold function	
	It can be used on both left and right side door	
	Only for single side open, and suits for wooden door, metal door and frame door etc.	

#### Dimensions & Functional Characteristic



Two-section adjustment of closing  
90°~ 15° is closing stage  
15°~ 0° is locking stage

Parallel bracket BZJ05 (optional)  
For parallel installation, purchase separately



## GA93-3CI(B103)

Fire-proof door closers

Surface installed 135° Non-hold Two

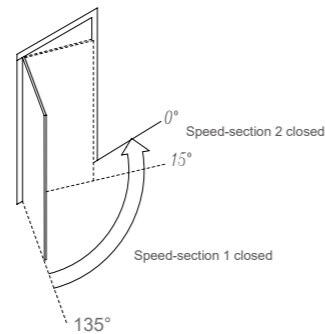
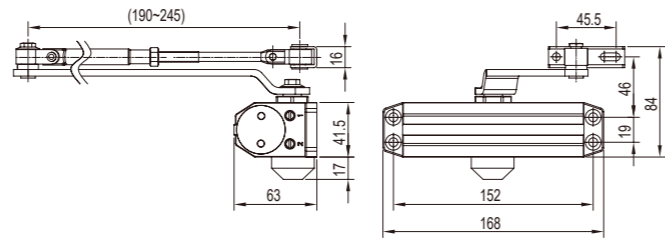


Door Closer

### Technical Parameters

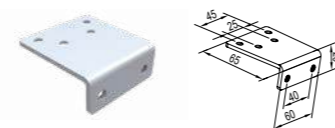
	Positioning type	Non-hold
	Door width	850~1100mm
	Maximum Loading	65kg
	Service life	>300,000 Cycles
	Speed control	Two speed section
	Surface treatment	Silver gray (Color can be customized)
	Gained the national fire protection product certification	
	Passed public safety standard GA 93	
	Exit door or Fire-proof door must adopt the door closer without the hold function	
	It can be used on both left and right side door	
	Only for single side open, and suits for wooden door, metal door and frame door etc.	

### Dimensions & Functional Characteristic



Two-section adjustment of closing  
90°~ 15° is closing stage  
15°~ 0° is locking stage

Parallel bracket BZJ05 (optional)  
For parallel installation, purchase separately



## GA93-4CI(B104)

Fire-proof door closers

Surface installed 135° Non-hold Two

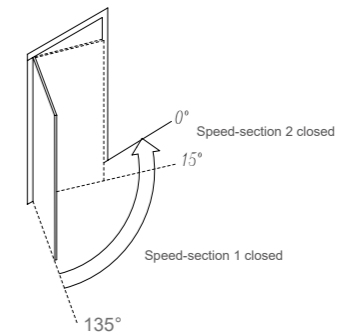
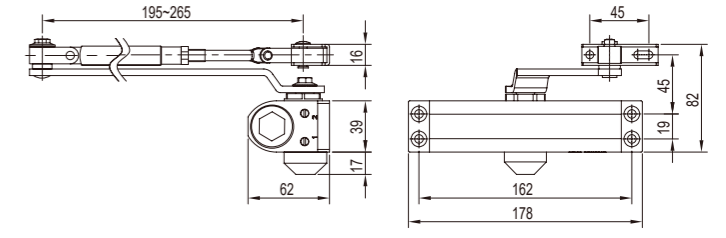


Door Closer

### Technical Parameters

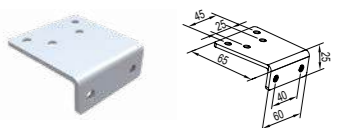
	Positioning type	Non-hold
	Door width	1000~1250mm
	Maximum Loading	85kg
	Service life	>300,000 Cycles
	Speed control	Two speed section
	Surface treatment	Silver gray (Color can be customized)
	Gained the national fire protection product certification	
	Passed public safety standard GA 93	
	Exit door or Fire-proof door must adopt the door closer without the hold function	
	It can be used on both left and right side door	
	Only for single side open, and suits for wooden door, metal door and frame door etc.	

### Dimensions & Functional Characteristic



Two-section adjustment of closing  
90°~ 15° is closing stage  
15°~ 0° is locking stage

Parallel bracket BZJ05 (optional)  
For parallel installation, purchase separately



# XF93-4CI(BBM90304) New

Fire-proof door closers

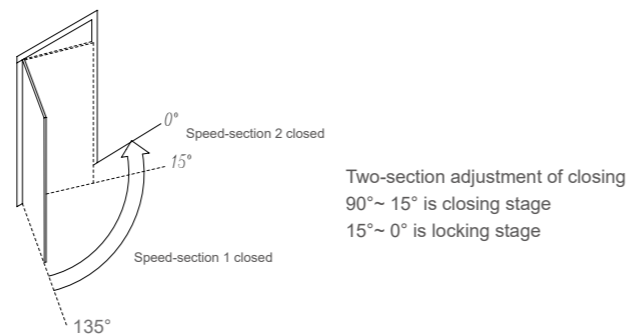
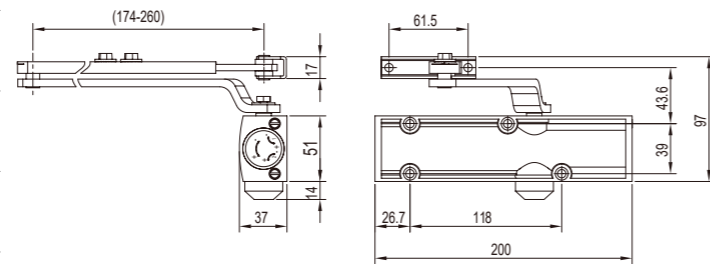
Surface installed 135° Non-hold Two



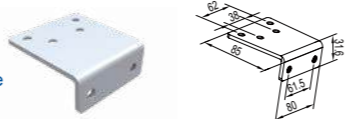
### Technical Parameters

	Positioning type	Non-hold
	Door width	900~1100mm
	Maximum Loading	85kg
	Service life	>300,000 Cycles
	Speed control	Two speed section
	Surface treatment	Silver gray (Color can be customized)
	Gained the national fire protection product certification	
	Passed public safety standard GA 93	
	Exit door or Fire-proof door must adopt the door closer without the hold function	
	It can be used on both left and right side door	
	Only for single side open, and suits for wooden door, metal door and frame door etc.	

### Dimensions & Functional Characteristic



Parallel bracket BBP50101 (optional)  
For parallel installation, purchase separately



# XF93-3PI(BBM90215) New

Fire-proof door closers

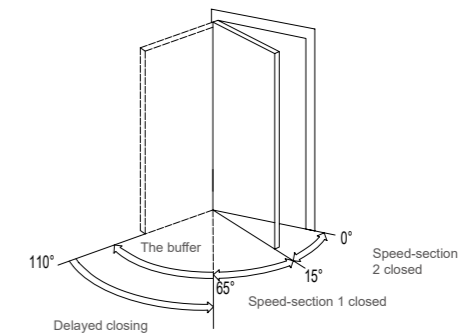
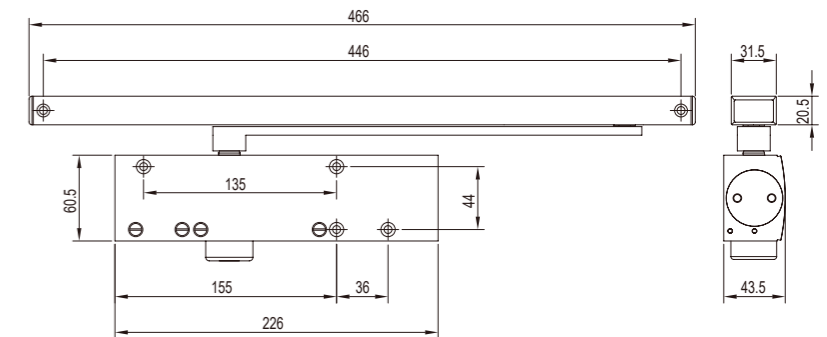
Surface installed Delayed Buffer Adjustable 110° Non-hold Two



### Technical Parameters

	Positioning type	Non-hold
	Door width	650~1100mm
	Maximum Loading	45~85kg
	Service life	>300,000 Cycles
	Speed control	Two speed section
	Surface treatment	Silver gray (Color can be customized)
	Gained the national fire protection product certification	
	Passed public safety standard GA 93	
	Exit door or Fire-proof door must adopt the door closer without the hold function	
	It can be used on both left and right side door	
	Delayed door closing function: When the door opening angle is greater than 65°, the door will delay its closing time to 65° to restore normal speed.	
	Door opening buffer function: When the door is opened to 65°, the door opening will have obvious resistance.	
	Adjustable torque: the opening force can be adjusted according to the size and weight of the door.	
	Only for single side open, and suits for wooden door, metal door and frame door etc.	

### Dimensions & Functional Characteristic



Two-section adjustment of closing, delay and buffering stages:  
15°~0° is locking stage  
65°~15° is closing stage  
110°~65° is the delay closing stage  
65°~110° is the door opening buffering stage

**GA93-2PII(YB301)**  
**GA93-2PII(YB305)**  
**GA93-2PII(YB306)**

Fire-proof door closers



Concealed installed 110° Non-hold Two

**XF93-2PI(BBM30114)**

Fire-proof door closers

Concealed installed Adjustable Buffer 110° Non-hold Two



Door Closer

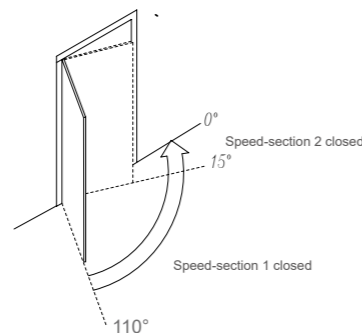
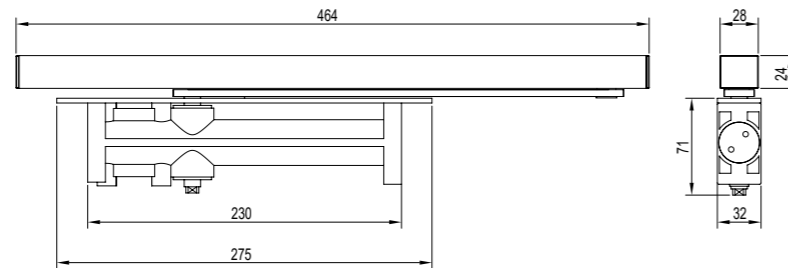
Door Closer

**Technical Parameters**

	Positioning type	Non-hold
	Door width	650~900mm 850~1100mm 1000~1250mm
	Maximum Loading	45kg/65kg/85kg
	Service life	>200,000 Cycles
	Speed control	Two speed section
	Surface treatment	Silver gray (Color can be customized)
	Gained the national fire protection product certification	

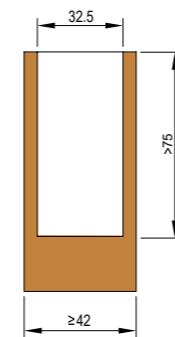
- Passed public safety standard GA 93
- Exit door or Fire-proof door must adopt the door closer without the hold function
- It can be used on both left and right side door
- Only for single side open, and suits for wooden door, metal door and frame door etc.
- Built-in safety valve, so that the main body in the external strong wind or pressure environment is protected to prevent cylinder damage or oil leakage

**Dimensions & Functional Characteristic**



Two-section adjustment of closing  
 90°~ 15° is closing stage  
 15°~ 0° is locking stage

Thickness requirement of wooden casement

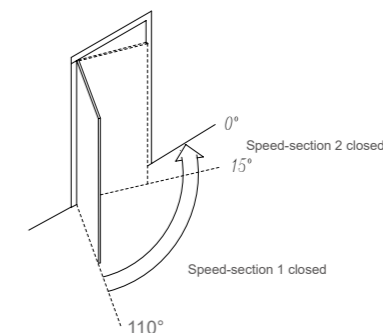
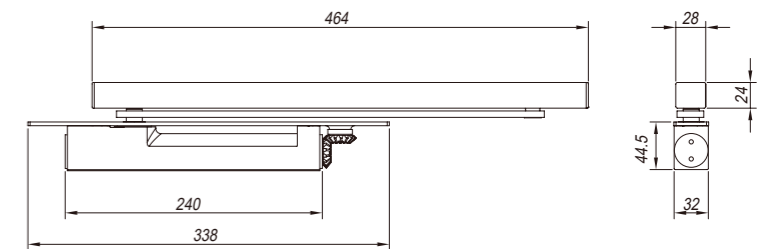


**Technical Parameters**

	Positioning type	Non-hold
	Door width	650~1100mm
	Maximum Loading	45~85kg
	Service life	>300,000 Cycles
	Speed control	Two speed section
	Surface treatment	Silver gray (Color can be customized)
	Gained the national fire protection product certification	

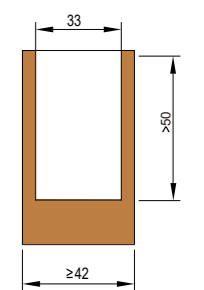
- Passed public safety standard XF 93
- Exit door or Fire-proof door must adopt the door closer without the hold function
- Only for single side open, and suits for wooden door, metal door and frame door etc.
- Adjustable torque: the opening force can be adjusted according to the size and weight of the door.**
- With buffer function, effectively protect the door body and hardware products damage**
- CAM advantage: the opening force decreases rapidly with the increase of the opening Angle, the opening saves effort and the closing is strong  
Closing force: Closing speed and locking speed can be adjusted independently without distinguishing between left and right installation
- Built-in safety valve, so that the main body in the external strong wind or pressure environment is protected to prevent cylinder damage or oil leakage

**Dimensions & Functional Characteristic**



Two-section adjustment of closing  
 90°~ 15° is closing stage  
 15°~ 0° is locking stage

Thickness requirement of wooden casement



## GA93-5CI(BBM80105)

Fire-proof door closers

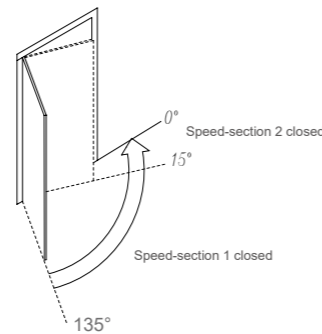
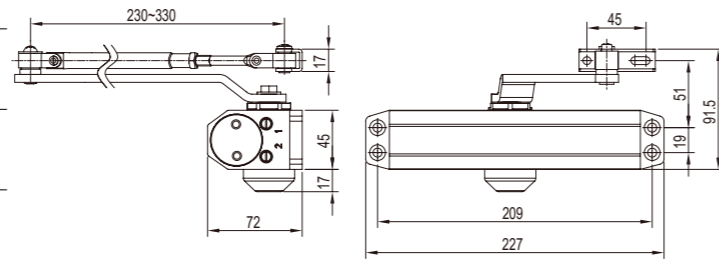
Surface installed 135° Non-hold Two



### Technical Parameters

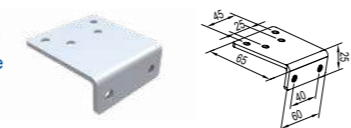
	Positioning type	Non-hold
	Door width	1100~1300mm
	Maximum Loading	100kg
	Service life	>300,000 Cycles
	Speed control	Two speed section
	Surface treatment	Silver gray (Color can be customized)
	Gained the national fire protection product certification	
	Passed public safety standard GA 93	
	Exit door or Fire-proof door must adopt the door closer without the hold function	
	It can be used on both left and right side door	
	Only for single side open, and suits for wooden door, metal door and frame door etc.	

### Dimensions & Functional Characteristic



Two-section adjustment of closing  
90°~ 15° is closing stage  
15°~ 0° is locking stage

Parallel bracket BZJ05 (optional)  
For parallel installation, purchase separately



## GA93-5CI(B415)

Fire-proof door closers

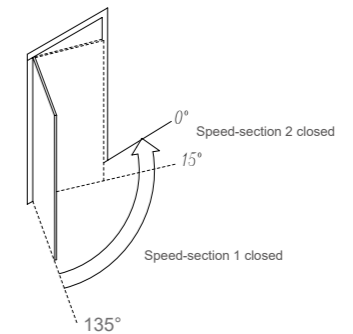
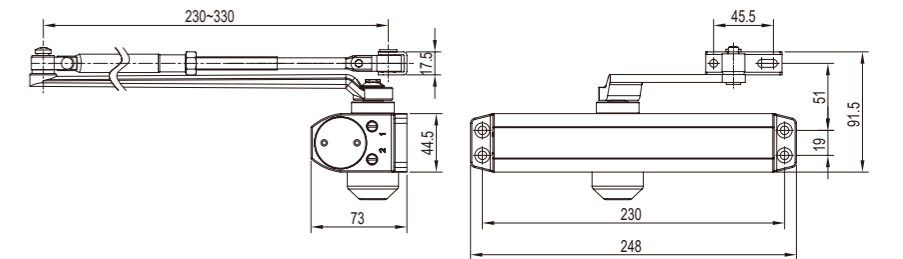
Surface installed 135° Non-hold Two



### Technical Parameters

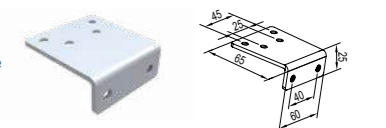
	Positioning type	Non-hold
	Door width	1150~1400mm
	Maximum Loading	120kg
	Service life	>300,000 Cycles
	Speed control	Two speed section
	Surface treatment	Silver gray (Color can be customized)
	Gained the national fire protection product certification	
	Passed public safety standard GA 93	
	Exit door or Fire-proof door must adopt the door closer without the hold function	
	It can be used on both left and right side door	
	Only for single side open, and suits for wooden door, metal door and frame door etc.	

### Dimensions & Functional Characteristic



Two-section adjustment of closing  
90°~ 15° is closing stage  
15°~ 0° is locking stage

Parallel bracket BZJ05 (optional)  
For parallel installation, purchase separately





# European standard door closer

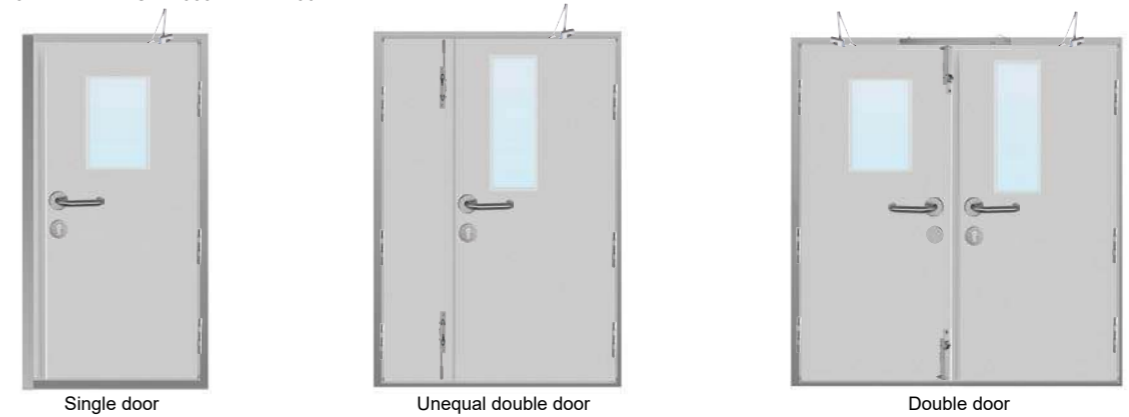
## European standard series hardware configuration



### European standard mortise lock configuration scheme

European standard ferrule:

1. 8 different decorative pieces, 8 different functions;
2. Passed EN12209-2003 test, 200,000 durability tests, and obtained CE certification. Passed the 260 minutes fire test of EN1634;
3. Passed the GB12955 standard 90 minutes fire test

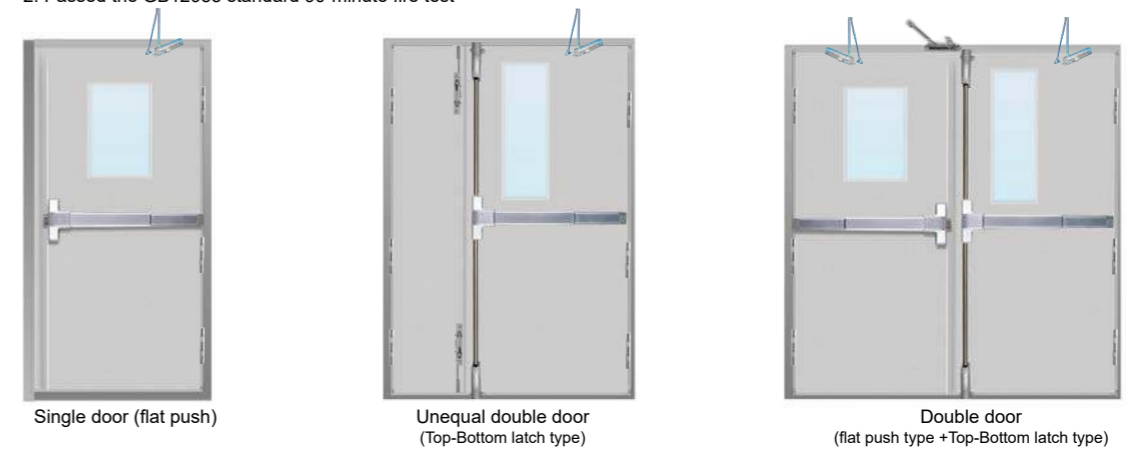


Application places	European standard ferrule	quantity	European standard door closers	quantity	European standard hinge	quantity	latch	quantity	Concealed sequencer	quantity
Single door		1 sets		1pcs		3 slice	/	/		/
unequal double door		1 sets		1pcs		6 slice	Concealed latch for steel door	2pcs		/
Double door		2 sets (One set for fake lock)		2pcs		6 slice	Automatic Concealed latch	2pcs		1pcs

### European standard scheme of panic door lock

European standard escape push lock:

1. Passed the european standard EN1125 test, endurance test 200,000 times; and obtained CE certification; passed the EN1634 standard 60-minute fire test
2. Passed the GB12955 standard 90-minute fire test



Application places	exterior decoration	quantity	European standard escape putter lock	quantity	European standard door closers	quantity	European standard hinge	quantity	Concealed latch for steel door	quantity	Heavy duty sequencer	quantity
Single door		1 sets	parallel push	one set of parallel push		1pcs		3 slice	/	/		/
unequal double door		1 sets	Top-Bottom latch type	one set of top and bottom pole		1pcs		6 slice	2pcs	/		
Double door		2 sets		one set of parallel push + one set of top and bottom pole		2pcs		6 slice	/	1pcs		

Remarks:

European standard door closers: Pass the EN1154 door closing device test, pass the industry standard QB / T2698 test; Service life: more than 500,000 times.  
 European standard hinge: 1. 7 specifications, passed the European standard EN1935 test, 200,000 durability tests, and obtained CE certification; two of them passed the 260-minute fire test of the EN1634 standard;  
 2. Passed the GB12955 standard 90 minutes fire test;  
 Concealed Latch, Sequencer: Passed 90 minutes fire test of GB12955 standard



# B401

Door closer

Surface installed 135° Non-hold Two

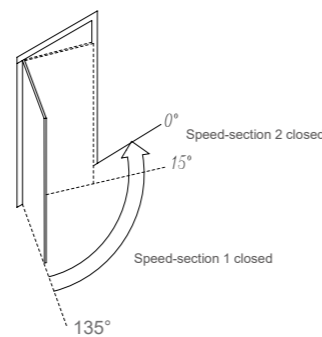
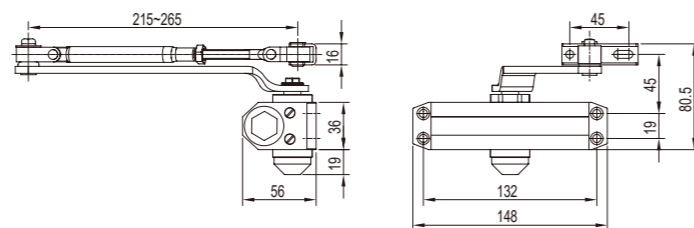


### Technical Parameters

	Positioning type	Non-hold
	Door width	650~900mm
	Maximum Loading	45kg
	Service life	>300,000 Cycles
	Speed control	Two speed section
	Surface treatment	Silver gray (Color can be customized)
	Suitable Temperature	-20°C~50°C
	Passed the test of industrial standard JG/T 268	
	Exit door or Fire-proof door must adopt the door closer without the hold function	
	It can be used on both left and right side door	

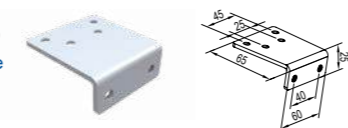
Only for single side open, and suits for wooden door, metal door and frame door etc.

### Dimensions & Functional Characteristic



Two-section adjustment of closing  
90°~ 15° is closing stage  
15°~ 0° is locking stage

Parallel bracket BZJ05 (optional)  
For parallel installation, purchase separately



# BBM10012

Door closer

Surface installed 90° Hold Two



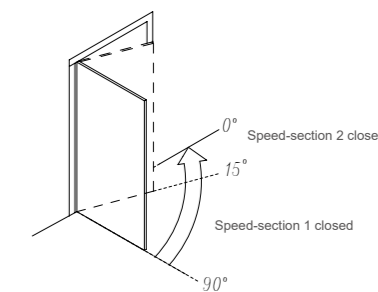
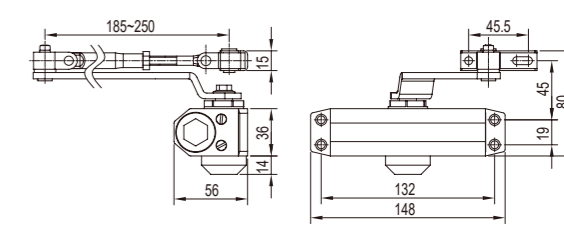
### Technical Parameters

	Positioning type	90°hold
	Door width	650~900mm
	Maximum Loading	45kg
	Service life	>500,000 Cycles
	Speed control	Two speed section
	Surface treatment	Silver gray (Color can be customized)
	Suitable Temperature	-20°C~50°C
	Passed the test of EN1154 standard of door closing detection	
	Passed the test of industrial standard JG/T 268	
	It can be used on both left and right side door	

Only for single side open, and suits for wooden door, metal door and frame door etc.

**This type of door closers cannot be used for fire-proof doors.**

### Dimensions & Functional Characteristic



Two-section adjustment of closing  
90°~ 15° is closing stage  
15°~ 0° is locking stage

# B103

Door closer

Surface installed 135° Non-hold Two



### Technical Parameters

	Positioning type	Non-hold
	Door width	850~1100mm
	Maximum Loading	65kg
	Service life	>500,000 Cycles
	Speed control	Two speed section
	Surface treatment	Silver gray (Color can be customized)
	Suitable Temperature	-20°C~50°C

Passed the test of EN1154 standard of door closing detection

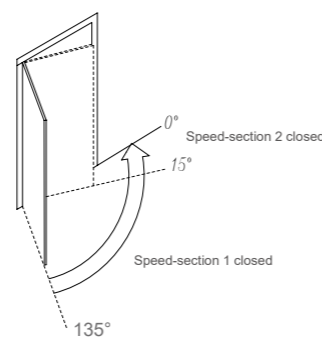
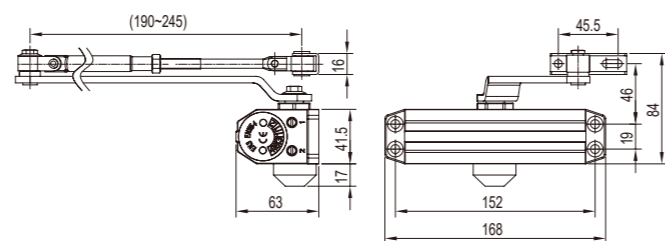
Passed the test of industrial standard JG/T 268

Exit door or Fire-proof door must adopt the door closer without the hold function

It can be used on both left and right side door

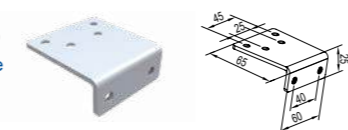
Only for single side open, and suits for wooden door, metal door and frame door etc.

### Dimensions & Functional Characteristic



Two-section adjustment of closing  
90°~ 15° is closing stage  
15°~ 0° is locking stage

Parallel bracket BZJ05 (optional)  
For parallel installation, purchase separately



# BBM10013

Door closer

Surface installed 90° Hold Two



### Technical Parameters

	Positioning type	90°hold
	Door width	850~1100mm
	Maximum Loading	65kg
	Service life	>500,000 Cycles
	Speed control	Two speed section
	Surface treatment	Silver gray (Color can be customized)
	Suitable Temperature	-20°C~50°C

Passed the test of EN1154 standard of door closing detection

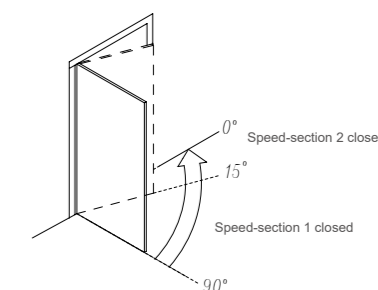
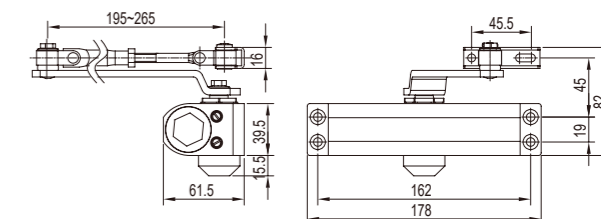
Passed the test of industrial standard JG/T 268

It can be used on both left and right side door

Only for single side open, and suits for wooden door, metal door and frame door etc.

**This type of door closers cannot be used for fire-proof doors.**

### Dimensions & Functional Characteristic



Two-section adjustment of closing  
90°~ 15° is closing stage  
15°~ 0° is locking stage

# BBM70102

Door closer

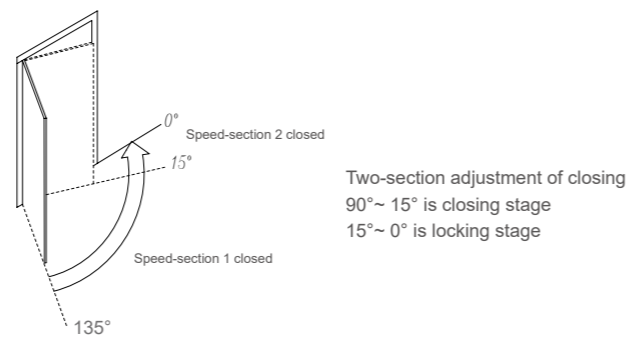
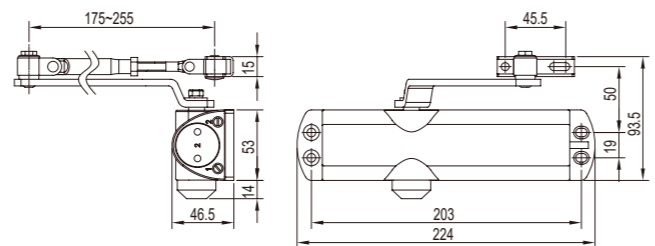
Surface installed 135° Non-hold Two



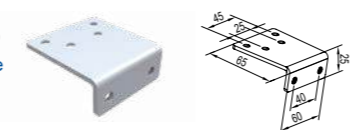
### Technical Parameters

	Positioning type	Non-hold
	Door width	650~900mm
	Maximum Loading	45kg
	Service life	>300,000 Cycles
	Speed control	Two speed section
	Surface treatment	Silver gray (Color can be customized)
	Suitable Temperature	-20°C~50°C
	Passed the test of industrial standard JG/T 268	
	Exit door or Fire-proof door must adopt the door closer without the hold function	
	It can be used on both left and right side door	
	Only for single side open, and suits for wooden door, metal door and frame door etc.	

### Dimensions & Functional Characteristic



Parallel bracket BZJ05 (optional)  
For parallel installation, purchase separately



# BBM70112

Door closer

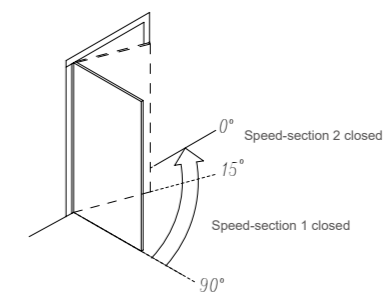
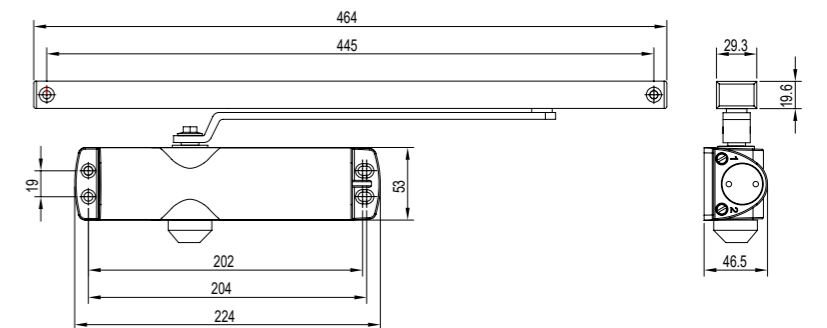
Surface installed 90° Hold Two



### Technical Parameters

	Positioning type	Hold can be anywhere and withdrawn
	Door width	650~900mm
	Maximum Loading	45kg
	Service life	>300,000 Cycles
	Speed control	Two speed section
	Surface treatment	Silver gray (Color can be customized)
	Suitable Temperature	-20°C~50°C
	Passed the test of industrial standard JG/T 268	
	It can be used on both left and right side door	
	Only for single side open, and suits for wooden door, metal door and frame door etc.	

### Dimensions & Functional Characteristic



Two-section adjustment of closing  
90°~15° is closing stage  
15°~0° is locking stage

# BBM80102

Door closer

Surface installed 135° Non-hold Two

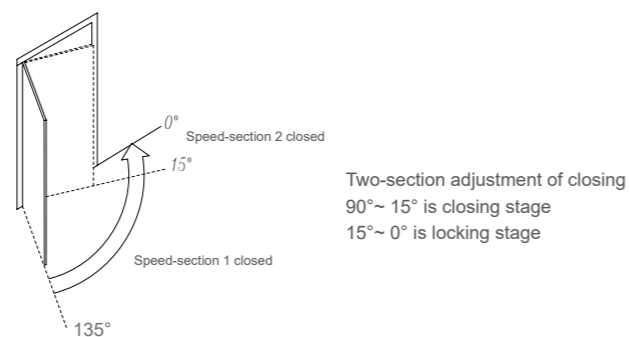
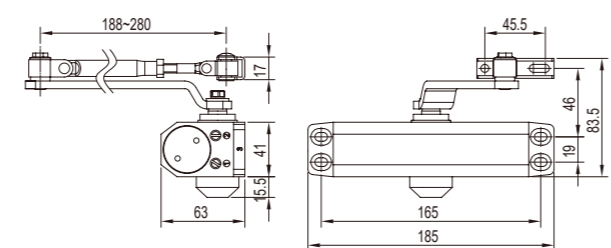


Door Closer

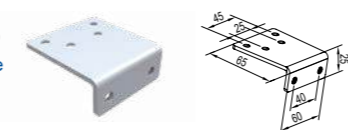
### Technical Parameters

	Positioning type	Non-hold
	Door width	650~900mm
	Maximum Loading	45kg
	Service life	>300,000 Cycles
	Speed control	Two speed section
	Surface treatment	Silver gray (Color can be customized)
	Suitable Temperature	-20°C~50°C
	Passed the test of industrial standard JG/T 268	
	Exit door or Fire-proof door must adopt the door closer without the hold function	
	It can be used on both left and right side door	
	Only for single side open, and suits for wooden door, metal door and frame door etc.	

### Dimensions & Functional Characteristic



Parallel bracket BZJ05 (optional)  
For parallel installation, purchase separately



# BBM80212

Door closer

Surface installed 90° Hold Two

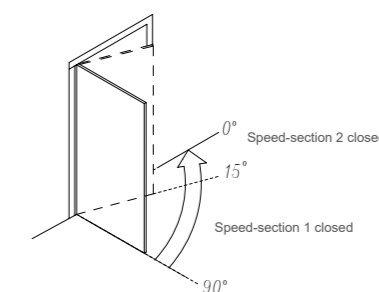
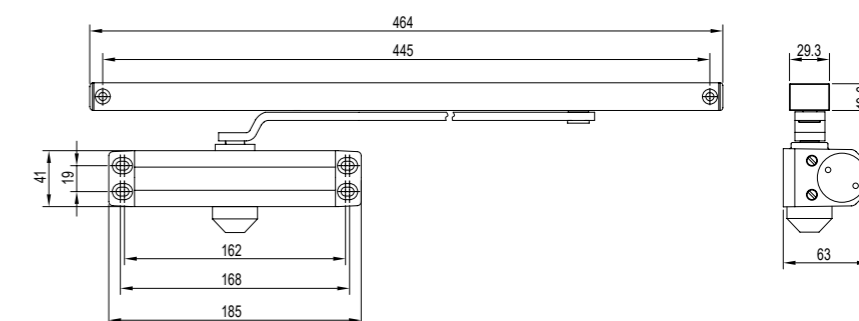


Door Closer

### Technical Parameters

	Positioning type	Hold can be anywhere and withdrawn
	Door width	650~900mm
	Maximum Loading	45kg
	Service life	>300,000 Cycles
	Speed control	Two speed section
	Surface treatment	Silver gray (Color can be customized)
	Suitable Temperature	-20°C~50°C
	Passed the test of industrial standard JG/T 268	
	It can be used on both left and right side door	
	Only for single side open, and suits for wooden door, metal door and frame door etc.	

### Dimensions & Functional Characteristic



Two-section adjustment of closing  
90°~15° is closing stage  
15°~0° is locking stage

The adjustment diagram of the rail holding force is the same as YB301, YB305, YB306

## B803 / B804

Door closer

Surface installed 135° Non-hold Two



### Technical Parameters

	Positioning type	Non-hold
	Door width	850~1100mm / 1000~1250mm
	Maximum Loading	65kg / 85kg
	Service life	>500,000 Cycles
	Speed control	Two speed section
	Surface treatment	Silver gray (Color can be customized)
	Suitable Temperature	-20°C~50°C

Passed the test of EN1154 standard of door closing detection

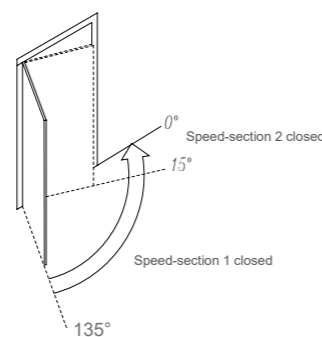
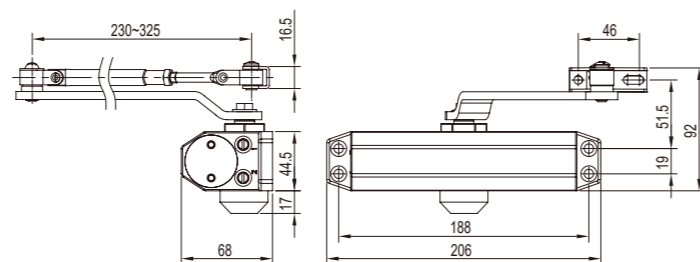
Passed the test of industrial standard JG/T 268

Exit door or Fire-proof door must adopt the door closer without the hold function

It can be used on both left and right side door

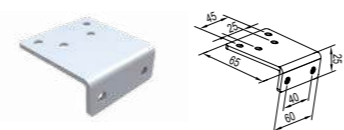
Only for single side open, and suits for wooden door, metal door and frame door etc.

### Dimensions & Functional Characteristic



Two-section adjustment of closing  
90°~ 15° is closing stage  
15°~ 0° is locking stage

Parallel bracket BZJ05 (optional)  
For parallel installation, purchase separately



## BZ803 / BZ804

Door closer

Surface installed 90° Hold Two



### Technical Parameters

	Positioning type	Hold can be anywhere and withdrawn
	Door width	850~1100mm / 1000~1250mm
	Maximum Loading	65kg / 85kg
	Service life	>500,000 Cycles
	Speed control	Two speed section
	Surface treatment	Silver gray (Color can be customized)
	Suitable Temperature	-20°C~50°C

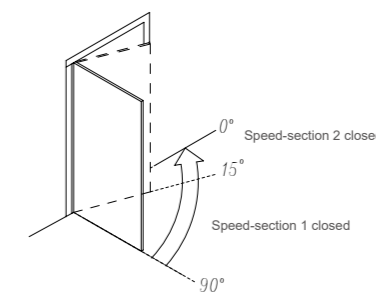
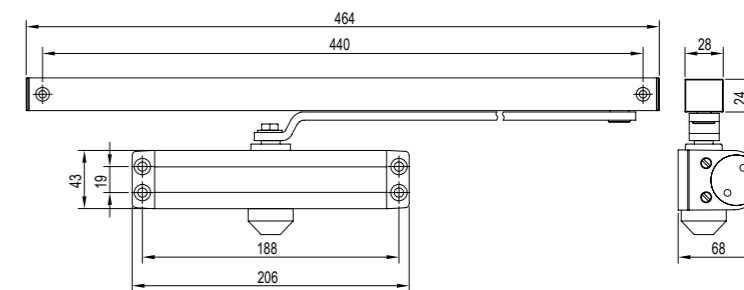
Passed the test of EN1154 standard of door closing detection

Passed the test of industrial standard JG/T 268

It can be used on both left and right side door

Only for single side open, and suits for wooden door, metal door and frame door etc.

### Dimensions & Functional Characteristic



Two-section adjustment of closing  
90°~ 15° is closing stage  
15°~ 0° is locking stage

# BBM90006

Door closer

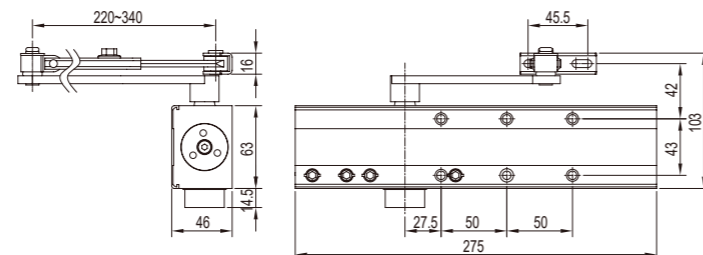
Surface installed Delayed Adjustable Buffer 135° Non-hold Two



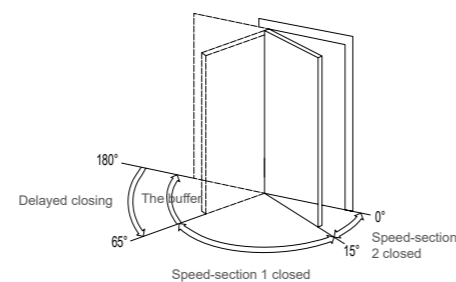
### Technical Parameters

	Positioning type	Non-hold
	Door width	850~1600mm
	Maximum Loading	85~150kg
	Service life	>500,000 Cycles
	Speed control	Two speed section
	Surface treatment	Silver gray (Color can be customized)
	Suitable Temperature	-20°C~50°C
	Passed the test of EN1154 standard of door closing detection	
	Passed the test of industrial standard JG/T 268	
	Exit door or Fire-proof door must adopt the door closer without the hold function	
	It can be used on both left and right side door	
	<b>Delayed door closing function:</b> When the door opening angle is greater than 65°, the door will delay its closing time to 65° to restore normal speed.	
	<b>Door opening buffer function:</b> When the door is opened to 65°, the door opening will have obvious resistance.	
	<b>Adjustable torque:</b> the opening force can be adjusted according to the size and weight of the door.	
	Only for single side open, and suits for wooden door, metal door and frame door etc.	

### Dimensions & Functional Characteristic

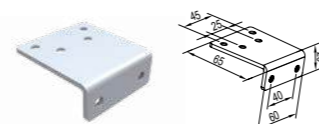


Two-section adjustment of closing, delay and buffering stages;  
 15°~ 0° is locking stage  
 65°~ 15° is closing stage  
 180°~65° is the delay closing stage  
 65°~180° is the door opening buffering stage



Parallel bracket BZJ05 (optional)

For parallel installation, purchase separately



# BBM90012 / BBM90013

Door closer

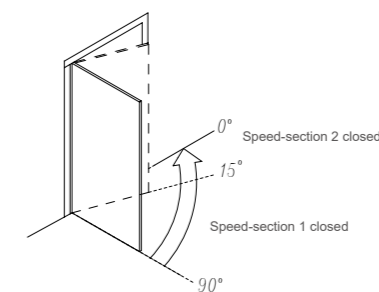
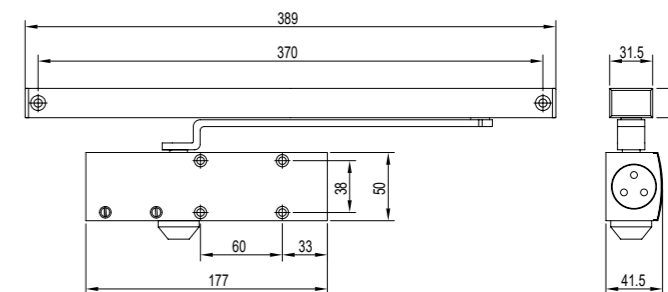
Surface installed 90° Hold Two



### Technical Parameters

	Positioning type	Hold can be anywhere and withdrawn
	Door width	650~900mm 850~1100mm
	Maximum Loading	45kg / 65kg
	Service life	>500,000 Cycles
	Speed control	Two speed section
	Surface treatment	Silver gray (Color can be customized)
	Suitable Temperature	-20°C~50°C
	Passed the test of EN1154 standard of door closing detection	
	Passed the test of industrial standard JG/T 268	
	It can be used on both left and right side door	
	Only for single side open, and suits for wooden door, metal door and frame door etc.	

### Dimensions & Functional Characteristic



Two-section adjustment of closing  
 90°~ 15° is closing stage  
 15°~ 0° is locking stage

The adjustment diagram of the rail holding force is the same as YB301, YB305, YB306

# BBM90103

Door closer

Surface installed Buffer 135° Non-hold Two

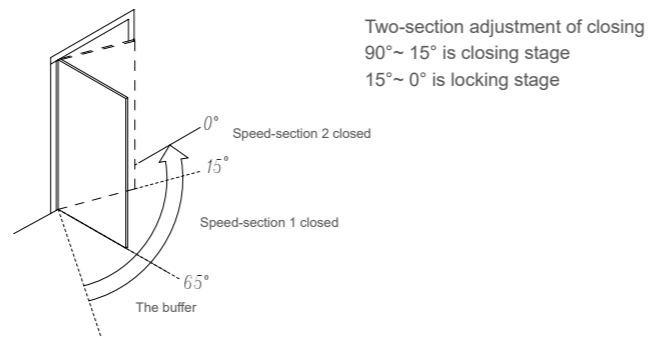
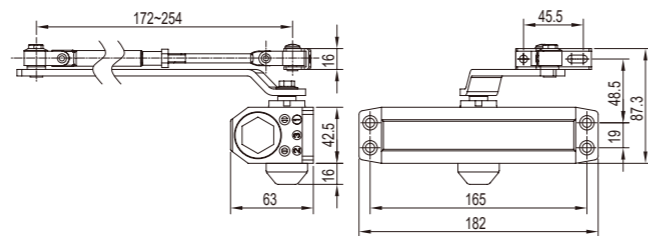


Door buffer valve

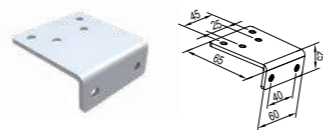
### Technical Parameters

	Positioning type	Non-hold
	Door width	850~1100mm
	Maximum Loading	65kg
	Service life	>500,000 Cycles
	Speed control	Two speed section
	Surface treatment	Silver gray (Color can be customized)
	Suitable Temperature	-20°C~50°C
	Passed the test of EN1154 standard of door closing detection	
	Passed the test of industrial standard JG/T 268	
	Exit door or Fire-proof door must adopt the door closer without the hold function	
	It can be used on both left and right side door	
	Door opening buffer function: When the door is opened to 65°, the door opening will have obvious resistance	
	Only for single side open, and suits for wooden door, metal door and frame door etc.	

### Dimensions & Functional Characteristic



Parallel bracket BZJ05 (optional)  
For parallel installation, purchase separately



# BBM90104

Door closer

Surface installed Buffer 135° Non-hold Two

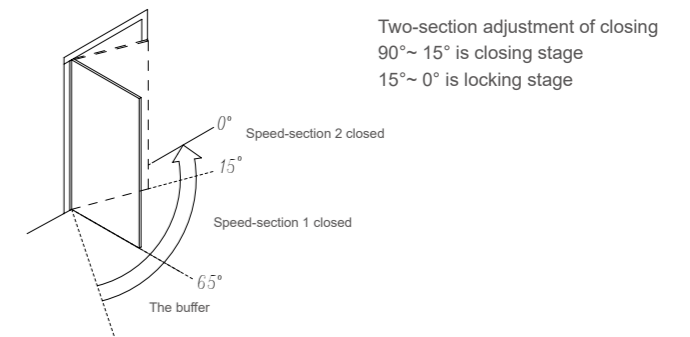
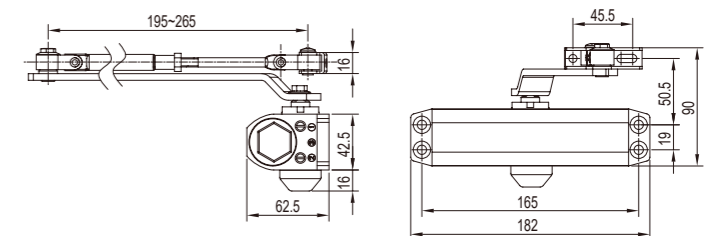


Door buffer valve

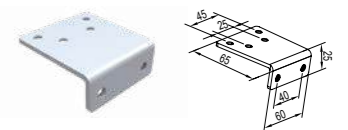
### Technical Parameters

	Positioning type	Non-hold
	Door width	1000~1250mm
	Maximum Loading	85kg
	Service life	>500,000 Cycles
	Speed control	Two speed section
	Surface treatment	Silver gray (Color can be customized)
	Suitable Temperature	-20°C~50°C
	Passed the test of EN1154 standard of door closing detection	
	Passed the test of industrial standard JG/T 268	
	Exit door or Fire-proof door must adopt the door closer without the hold function	
	It can be used on both left and right side door	
	Door opening buffer function: When the door is opened to 65°, the door opening will have obvious resistance	
	Only for single side open, and suits for wooden door, metal door and frame door etc.	

### Dimensions & Functional Characteristic



Parallel bracket BZJ05 (optional)  
For parallel installation, purchase separately



# B104

Door closer

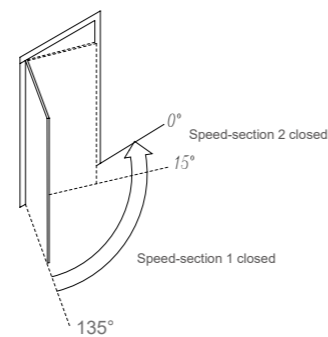
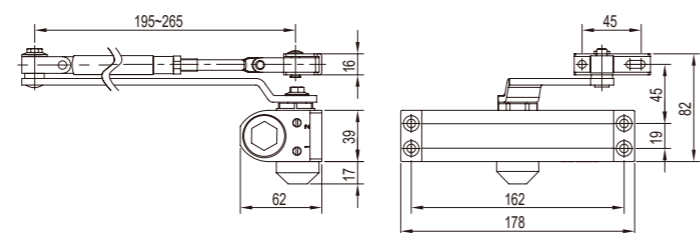
Surface installed 135° Non-hold Two



### Technical Parameters

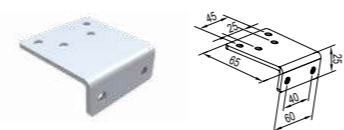
	Positioning type	Non-hold
	Door width	1000~1250mm
	Maximum Loading	85kg
	Service life	>300,000 Cycles
	Speed control	Two speed section
	Surface treatment	Silver gray (Color can be customized)
	Suitable Temperature	-20°C~50°C
	Passed the test of industrial standard JG/T 268	
	Exit door or Fire-proof door must adopt the door closer without the hold function	
	It can be used on both left and right side door	
	Only for single side open, and suits for wooden door, metal door and frame door etc.	

### Dimensions & Functional Characteristic



Two-section adjustment of closing  
90°~ 15° is closing stage  
15°~ 0° is locking stage

Parallel bracket BZJ05 (optional)  
For parallel installation, purchase separately



# BBM10014

Door closer

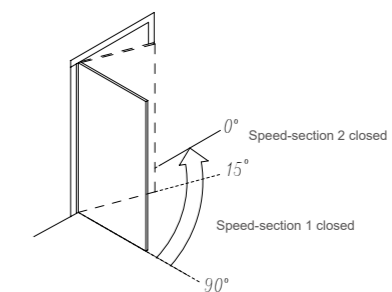
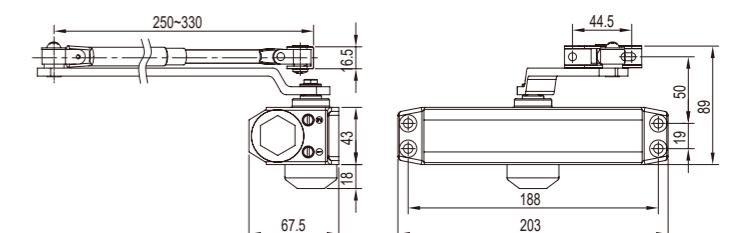
Surface installed 90° Hold Two



### Technical Parameters

	Positioning type	90°hold
	Door width	1000~1250mm
	Maximum Loading	85kg
	Service life	>300,000 Cycles
	Speed control	Two speed section
	Surface treatment	Silver gray (Color can be customized)
	Suitable Temperature	-20°C~50°C
	Passed the test of industrial standard JG/T 268	
	It can be used on both left and right side door	
	Only for single side open, and suits for wooden door, metal door and frame door etc.	
	This type of door closers cannot be used for fire-proof doors.	

### Dimensions & Functional Characteristic



Two-section adjustment of closing  
90°~ 15° is closing stage  
15°~ 0° is locking stage



# BBM80105

Door closer

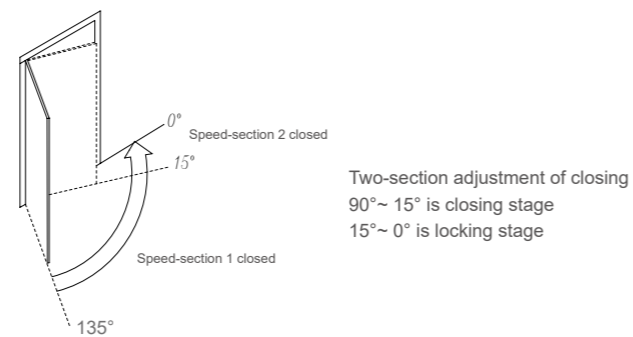
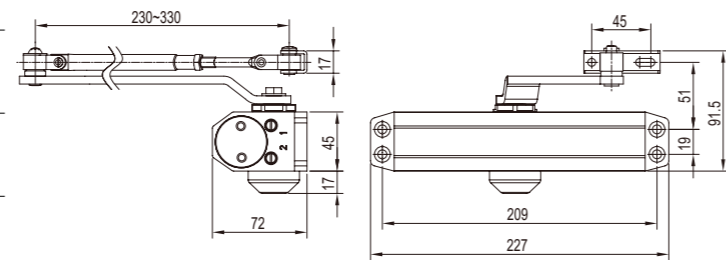
Surface installed 135° Non-hold Two



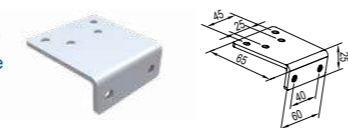
### Technical Parameters

	Positioning type	Non-hold
	Door width	1100~1300mm
	Maximum Loading	100kg
	Service life	>500,000 Cycles
	Speed control	Two speed section
	Surface treatment	Silver gray (Color can be customized)
	Suitable Temperature	-20°C~50°C
	Passed the test of EN1154 standard of door closing detection	
	Passed the test of industrial standard JG/T 268	
	Exit door or Fire-proof door must adopt the door closer without the hold function	
	It can be used on both left and right side door	
	Only for single side open, and suits for wooden door, metal door and frame door etc.	

### Dimensions & Functional Characteristic



Parallel bracket BZJ05 (optional)  
 For parallel installation, purchase separately



# BBM90105

Door closer

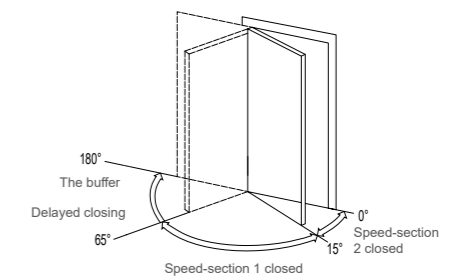
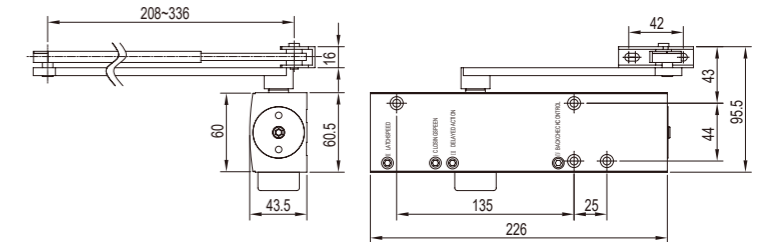
Surface installed Delayed Adjustable Buffer 180° Non-hold Two



### Technical Parameters

	Positioning type	Hold can be anywhere and withdrawn
	Door width	650~1200mm
	Maximum Loading	25~120kg
	Service life	>500,000 Cycles
	Speed control	Two speed section
	Surface treatment	Silver gray (Color can be customized)
	Suitable Temperature	-20°C~50°C
	Passed the test of EN1154 standard of door closing detection	
	Passed the test of industrial standard JG/T 268	
	It can be used on both left and right side door	
	Delayed door closing function: When the door opening angle is greater than 65°, the door will delay its closing time to 65° to restore normal speed.	
	Door opening buffer function: When the door is opened to 65°, the door opening will have obvious resistance.	
	Adjustable torque: the opening force can be adjusted according to the size and weight of the door.	
	Only for single side open, and suits for wooden door, metal door and frame door etc.	

### Dimensions & Functional Characteristic



Two-section adjustment of closing, delay and buffering stages;  
 15°~ 0° is locking stage  
 65°~ 15° is closing stage  
 180°~65° is the delay closing stage  
 65°~180° is the door opening buffering stage



## B415

Door closer

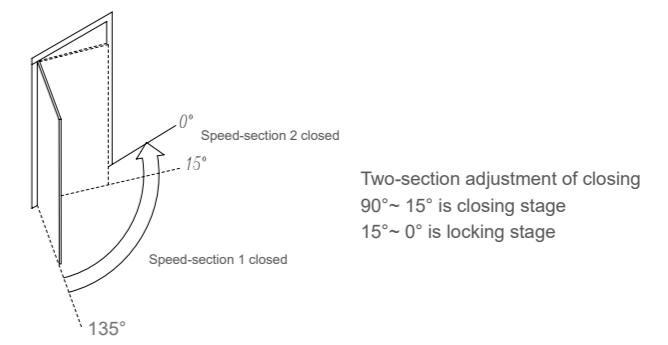
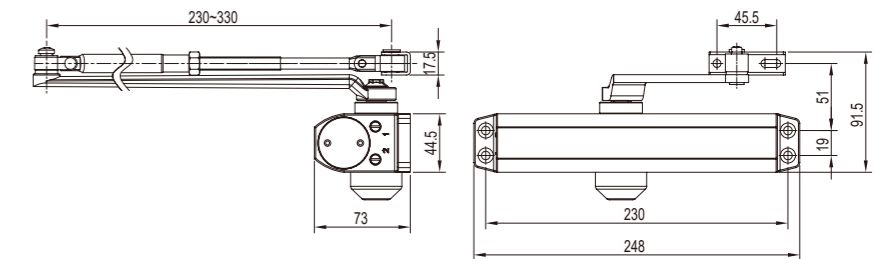
Surface installed 135° Non-hold Two



### Technical Parameters

	Positioning type	Non-hold
	Door width	1150~1400mm
	Maximum Loading	120kg
	Service life	>500,000 Cycles
	Speed control	Two speed section
	Surface treatment	Silver gray (Color can be customized)
	Suitable Temperature	-20°C~50°C
	Passed the test of EN1154 standard of door closing detection	
	Passed the test of industrial standard JG/T 268	
	Exit door or Fire-proof door must adopt the door closer without the hold function	
	It can be used on both left and right side door	
	Only for single side open, and suits for wooden door, metal door and frame door etc.	

### Dimensions & Functional Characteristic



# BBM90115

Door closer

- Surface installed
- Delayed
- Buffer
- Adjustable
- 180°
- Non-hold
- Two



### Technical Parameters

	Positioning type	Hold can be anywhere and withdrawn
	Door width	650~1200mm
	Maximum Loading	25~85kg
	Service life	>500,000 Cycles
	Speed control	Two speed section
	Surface treatment	Silver gray (Color can be customized)
	Suitable Temperature	-20°C~50°C

Passed the test of EN1154 standard of door closing detection

Passed the test of industrial standard JG/T 268

It can be used on both left and right side door

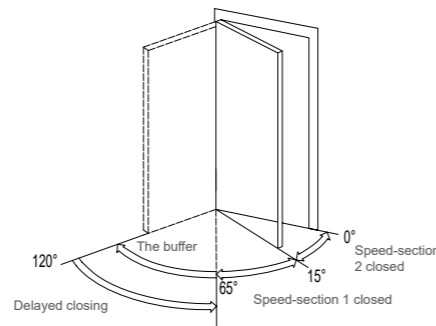
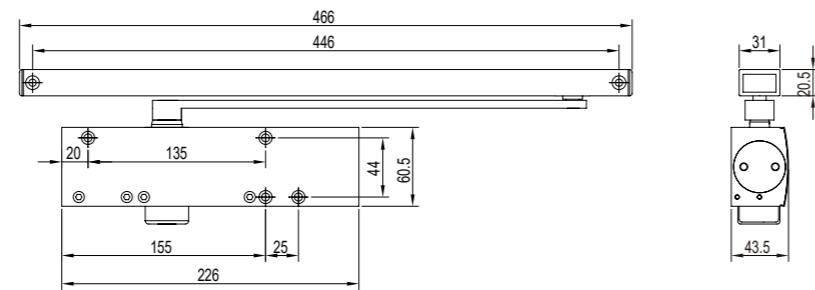
**Delayed door closing function:** When the door opening angle is greater than 65°, the door will delay its closing time to 65° to restore normal speed.

**Door opening buffer function:** When the door is opened to 65°, the door opening will have obvious resistance.

**Adjustable torque:** the opening force can be adjusted according to the size and weight of the door.

Only for single side open, and suits for wooden door, metal door and frame door etc.

### Dimensions & Functional Characteristic



Two-section adjustment of closing, delay and buffering stages;  
 15°~0° is locking stage  
 65°~15° is closing stage  
 120°~65° is the delay closing stage  
 65°~120° is the door opening buffering stage

# YB301/YB305/YB306

Door closer

- Concealed
- 90°
- Hold
- Two



### Technical Parameters

	Positioning type	Hold can be anywhere and withdrawn
	Door width	650~900mm 850~1100mm 1000~1250mm
	Maximum Loading	45kg/65kg/85kg
	Service life	>500,000 Cycles
	Speed control	Two speed section
	Surface treatment	Silver gray (Color can be customized)
	Suitable Temperature	-20°C~50°C

Passed the test of EN1154 standard of door closing detection

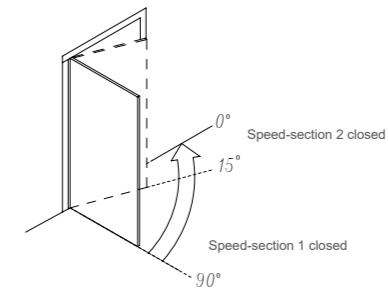
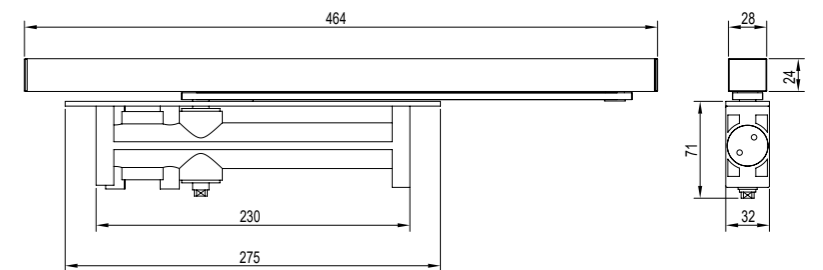
Passed the test of industrial standard JG/T 268

It can be used on both left and right side door

Only for single side open, and suits for wooden door, metal door and frame door etc.

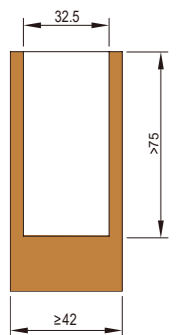
**Built-in safety valve,** so that the main body in the external strong wind or pressure environment is protected to prevent cylinder damage or oil leakage

### Dimensions & Functional Characteristic



Two-section adjustment of closing  
 90°~15° is closing stage  
 15°~0° is locking stage

Thickness requirement of wooden casement



# BBM30112

Door closer

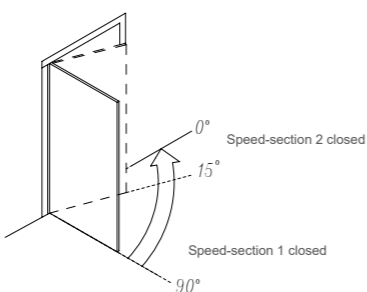
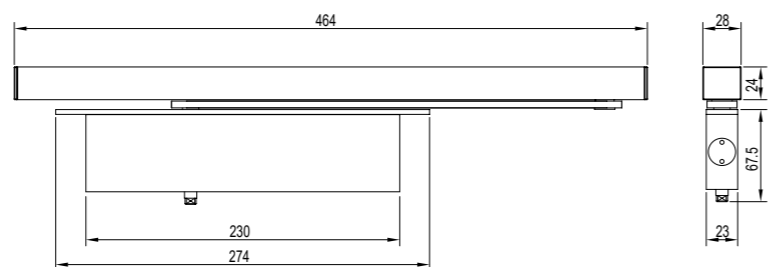
Concealed 90° Hold Two



### Technical Parameters

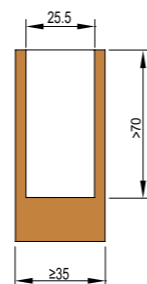
	Positioning type	Hold can be anywhere and withdrawn
	Door width	650~900mm
	Maximum Loading	45kg
	Service life	>300,000 Cycles
	Speed control	Two speed section
	Surface treatment	Silver gray (Color can be customized)
	Suitable Temperature	-20°C~50°C
	Passed the test of industrial standard JG/T 268	
	It can be used on both left and right side door	
	Only for single side open, and suits for wooden door, metal door and frame door etc.	
	Built-in safety valve, so that the main body in the external strong wind or pressure environment is protected to prevent cylinder damage or oil leakage	

### Dimensions & Functional Characteristic



Two-section adjustment of closing  
90°~ 15° is closing stage  
15°~ 0° is locking stage

Thickness requirement of wooden casement



# BBM30113

Door closer

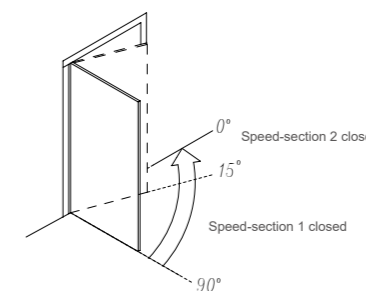
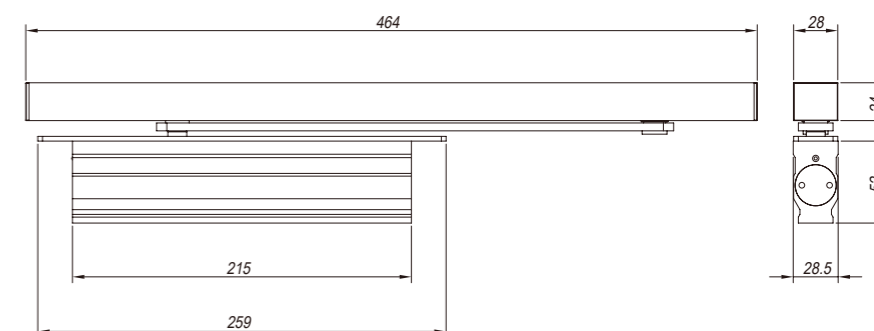
Concealed 90° Hold Two



### Technical Parameters

	Positioning type	Hold can be anywhere and withdrawn
	Door width	850~1100mm
	Maximum Loading	65kg
	Service life	>500,000 Cycles
	Speed control	Two speed section
	Surface treatment	Silver gray (Color can be customized)
	Suitable Temperature	-20°C~50°C
	Passed the test of EN1154 standard of door closing detection	
	Passed the test of industrial standard JG/T 268	
	It can be used on both left and right side door	
	Only for single side open, and suits for wooden door, metal door and frame door etc.	

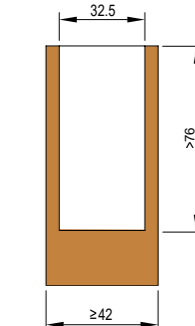
### Dimensions & Functional Characteristic



Two-section adjustment of closing  
90°~ 15° is closing stage  
15°~ 0° is locking stage

The adjustment diagram of the rail holding force is the same as YB301, YB305, YB306

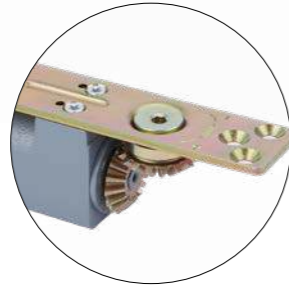
Thickness requirement of wooden casement



# BBM30114

Door closer

Concealed Adjustable Bufferd 90° Hold Two



# BBM30115

Door closer

Concealed 90° Hold Two



### Technical Parameters

	Positioning type	Hold can be anywhere and withdrawn
	Door width	650~1100mm
	Maximum Loading	45~85kg
	Service life	>500,000 Cycles
	Speed control	Two speed section
	Surface treatment	Silver gray (Color can be customized)

Passed the test of EN1154 standard of door closing detection

Passed the test of industrial standard JG/T 268

Only for single side open, and suits for wooden door, metal door and frame door etc.

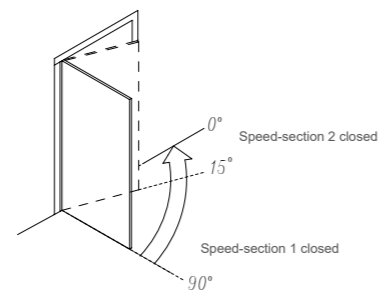
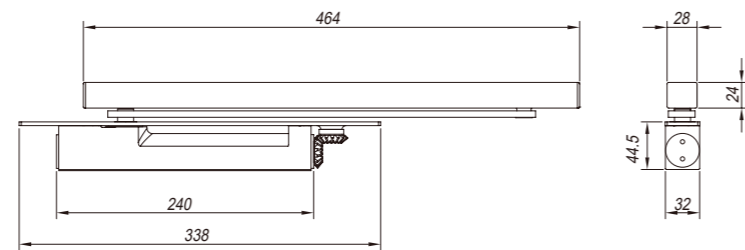
Adjustable torque: the opening force can be adjusted according to the size and weight of the door.

With buffer function, effectively protect the door body and hardware products damage

CAM advantage: the opening force decreases rapidly with the increase of the opening Angle, the opening saves effort and the closing is strong  
Closing force: Closing speed and locking speed can be adjusted independently without distinguishing between left and right installation

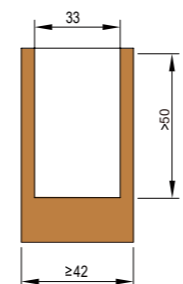
Built-in safety valve, so that the main body in the external strong wind or pressure environment is protected to prevent cylinder damage or oil leakage

### Dimensions & Functional Characteristic



Two-section adjustment of closing  
90°~ 15° is closing stage  
15°~ 0° is locking stage

Thickness requirement of wooden casement



### Technical Parameters

	Positioning type	Hold can be anywhere and withdrawn
	Door width	1100~1300mm
	Maximum Loading	100kg
	Service life	>300,000 Cycles
	Speed control	Two speed section
	Surface treatment	Silver gray (Color can be customized)
	Suitable Temperature	-20°C~50°C

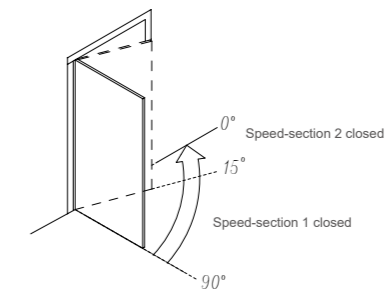
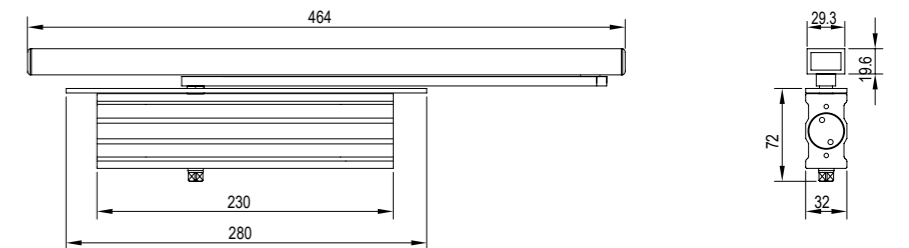
Passed the test of industrial standard JG/T 268

It can be used on both left and right side door

Only for single side open, and suits for wooden door, metal door and frame door etc.

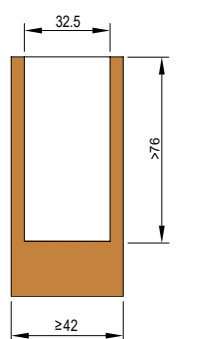
Only for single side open, and suits for wooden door, metal door and frame door etc.

### Dimensions & Functional Characteristic



Two-section adjustment of closing  
90°~ 15° is closing stage  
15°~ 0° is locking stage

Thickness requirement of wooden casement



# 03

## Glass Door Patch



### Glass Door Patch List

NO.	Code	Product Name	Maximum Loading	Diagram	Glass Thickness	Door Height	Door Width	Page number
1	KMJ443 KMJ443A	Patch fitting	100Kg		10~12mm	≤ 2600mm	≤ 900mm	P147
2	KMJ112 KMJ113 KMJ123	Patch fitting	100Kg		10~12mm	≤ 2600mm	≤ 1000mm	P149
3	KMJ114	Patch fitting	130KG		10-12	≤ 2800mm	≤ 1000mm	P159
4	KMJ115 KMJ115B	Patch fitting	150Kg		12、15、19mm	≤ 2800mm	≤ 1200mm	P160
5	KMJ117 KMJ118	Patch fitting	200Kg		15~22mm	≤ 3000mm	≤ 1300mm	P163
6	KMJ333	Brackets	100Kg		10~15mm	≤ 2600mm	≤ 1000mm	P167
7	KMJ344	Brackets	130Kg		10~15mm	≤ 2800mm	≤ 1100mm	P168
8	KMJ354	Brackets	130Kg		10~15mm	≤ 2800mm	≤ 1100mm	P169
9	KMJ214	Long patch fitting	130Kg		10~12mm	≤ 2800mm	≤ 1200mm	P171
10	KMJ215	Long patch fitting	150Kg		10~15mm	≤ 2800mm	≤ 1400mm	P173
11	KMJ217	Long patch fitting	200Kg		10~19mm	≤ 3000mm	≤ 1400mm	P175
12	M8	Fixed Patch Fitting	40Kg		10~12mm	≤ 1800mm	≤ 600mm	P177
13	M7/8	Fixed Patch Fitting	50Kg		10~12mm	≤ 2200mm	≤ 600mm	P178
14	M41A	Lock patch	/		10~12mm	/	/	P182

## Patch Series 100Kg

### Functional Characteristic

It's suitable for casement glass door  
 The decorative cover is fixed by inner hexagon screws  
 Both left and right doors can be used, no distinguish between left and right doors

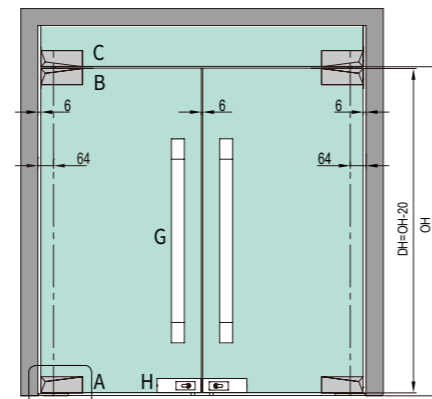
### Technical Parameters

Maximum Bearing	100kg
Glass Thickness	10-12mm
Door sash width dimension	≤900mm
Door sash height dimension	≤2600mm

### Main Material and Surface Finish

Main Material: Main body-- High strength die-casting aluminum alloy  
 Decorative cover--SS304  
 Surface Finish: Satin + Mirror

### Installation Diagram



A: Concealed Floor Hinge B: Upper Patch  
 C: Top Patch G: Handle  
 H: Glass Door Lock [KMS11250 (10~12/21)]



Used with concealed floor hinge (See P53)

### Functional Characteristic

It's suitable for casement glass door  
 The decorative cover is fixed by inner hexagon screws  
 Both left and right doors can be used, no distinguish between left and right doors

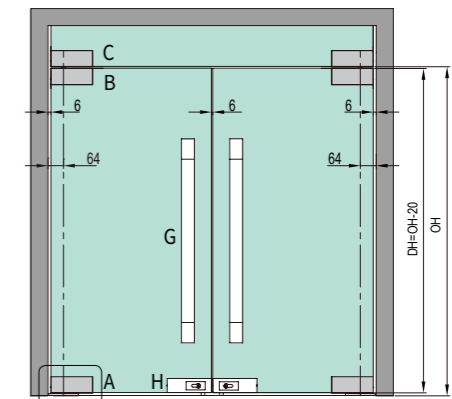
### Technical Parameters

Maximum Bearing	100kg
Glass Thickness	10-12mm
Door sash width dimension	≤900mm
Door sash height dimension	≤2600mm

### Main Material and Surface Finish

Main Material: Main body-- High strength die-casting aluminum alloy  
 Decorative cover--SS304  
 Surface Finish: Satin

### Installation Diagram

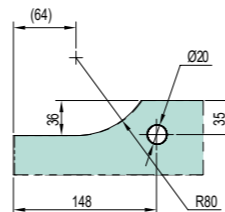
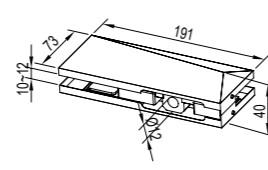


A: Concealed Floor Hinge B: Upper Patch  
 C: Top Patch G: Handle  
 H: Glass Door Lock [KMS11250 (10~12/21)]

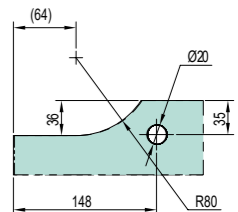
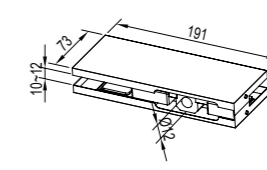


Used with concealed floor hinge (See P55)

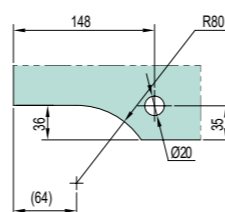
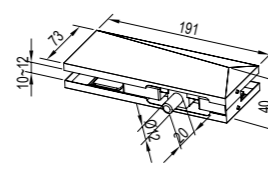
### KMJ44320 Upper Patch



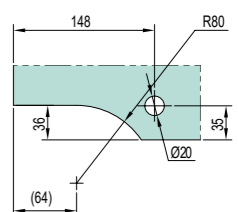
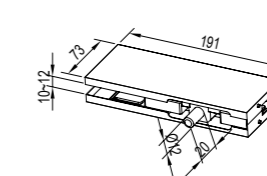
### KMJ4432A Upper Patch



### KMJ44330 Top Patch



### KMJ4433A Top Patch



## Patch Series 100Kg

### Functional Characteristic

- It's suitable for casement glass door
- The decorative cover is buckle-mounted
- Both left and right doors can be used, no distinguish between left and right doors
- The bottom patch cooperates with floor hinge and lower shaft
- Factory standard angle is 14° by default
- The supporting bending patch is KMJ11340

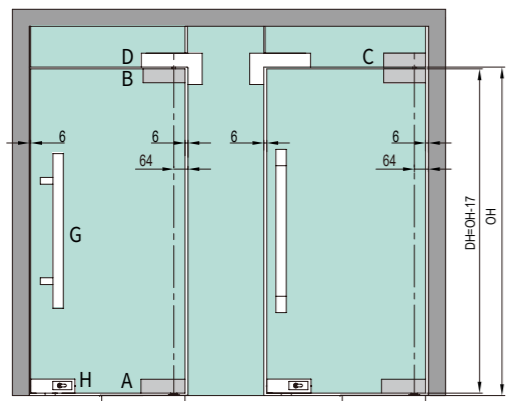
### Technical Parameters

Maximum Bearing	100kg
Glass Thickness	10-12mm
Door sash width dimension	≤1000mm
Door sash height dimension	≤2600mm

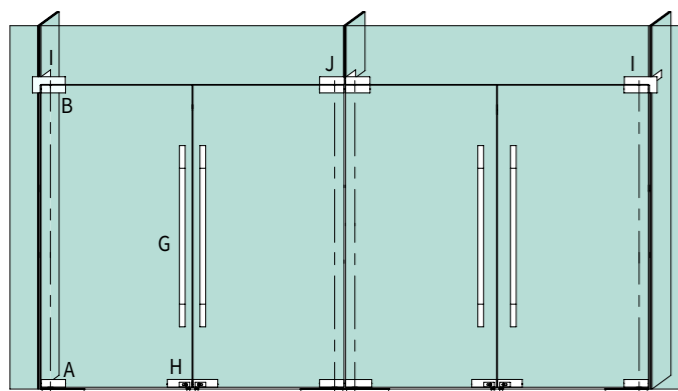
### Main Material and Surface Finish

- Main Material: Main body-- High strength die-casting aluminum alloy and high-quality carbon steel
- Decorative cover--SS304
- Surface Finish: Satin / Mirror

### Installation Diagram

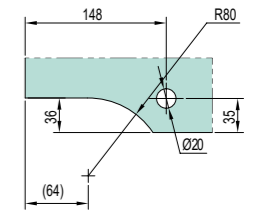
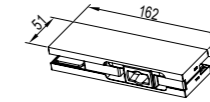


A: Bottom Patch    B: Upper Patch    C: Top Patch  
D: Bending Patch    G: Handle    H: Glass Door Lock

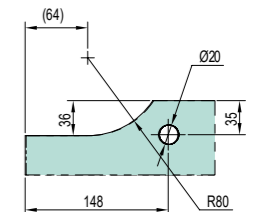
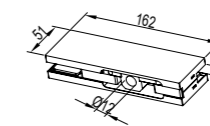


A: Bottom Patch    B: Upper Patch    G: Handle  
H: Glass Door Lock    I: F-shape Patch(Left/right)    J: T-shape Patch

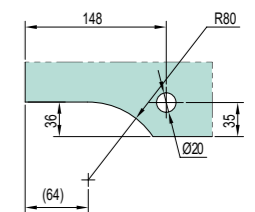
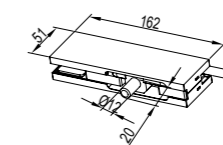
### KMJ11210 Bottom Patch



### KMJ11220 Upper Patch



### KMJ11230 Top Patch





## Patch Series 100Kg (Product for Overseas )

### Functional Characteristic

- It's suitable for casement glass door
- The decorative cover is fixed by inner hexagon screws
- Both left and right doors can be used, no distinguish between left and right doors
- The bottom patch cooperates with bottom shaft of floor hinge
- Factory standard angle is 14° by default

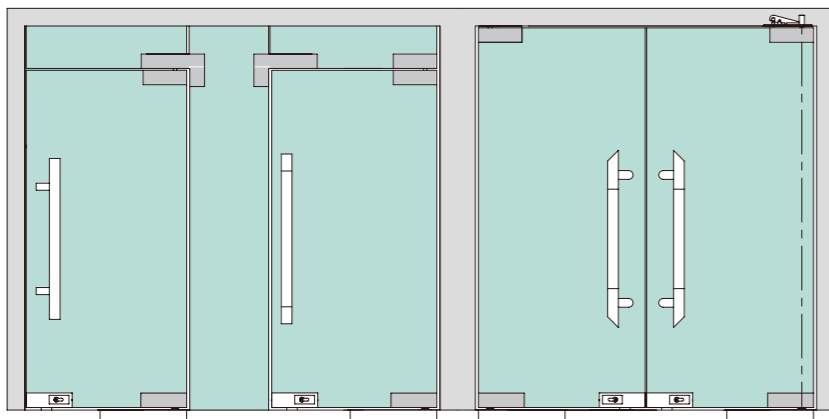
### Technical Parameters

Maximum Bearing	100kg
Glass Thickness	10-12mm
Door sash width dimension	≤1000mm
Door sash height dimension	≤2600mm

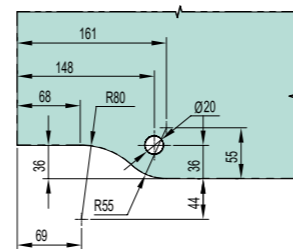
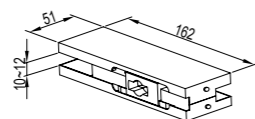
### Main Material and Surface Finish

- Main Material: The inner core is made of high strength die-casting aluminium alloy and high-quality carbon steel
- Decorative cover--SS304
- Surface Finish: Satin / Mirror

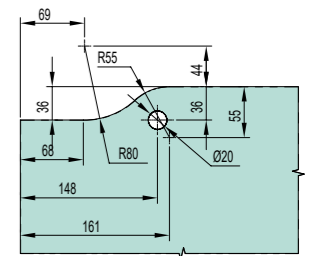
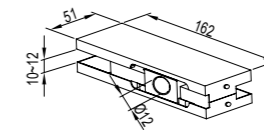
### Installation Diagram



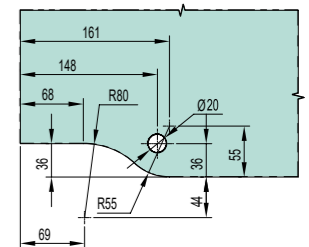
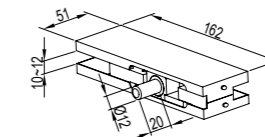
### KMJ1131C Bottom Patch



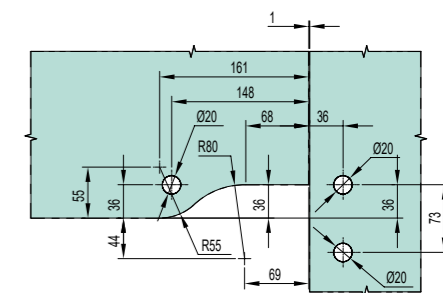
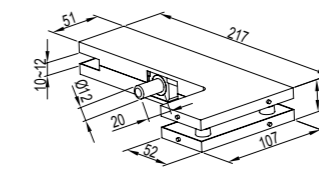
### KMJ1132C Upper Patch



### KMJ1133C Top Patch



### KMJ1134C Bending Patch



## Patch Series 100Kg

### Functional Characteristic

- It's suitable for casement glass door
- The decorative cover is fixed by inner hexagon screws
- Both left and right doors can be used, no distinguish between left and right doors
- The bottom patch cooperates with bottom shaft of floor hinge
- Factory standard angle is 6° by default

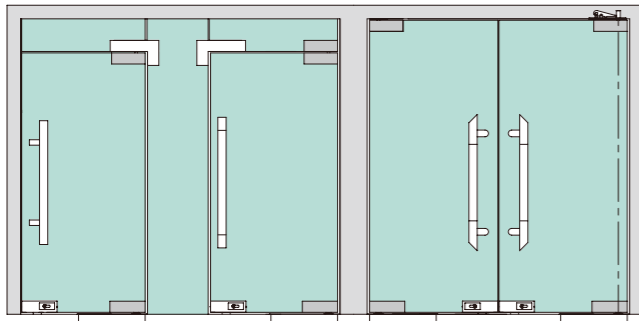
### Technical Parameters

Maximum Bearing	100kg
Glass Thickness	10-12mm
Door sash width dimension	≤1000mm
Door sash height dimension	≤2600mm

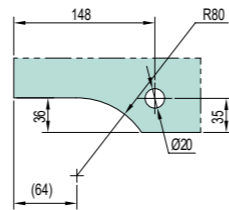
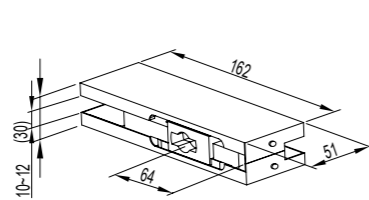
### Main Material and Surface Finish

- Main Material: Main body-- High strength die-casting aluminum alloy  
Decorative cover--SS304
- Surface Finish: Satin / Mirror

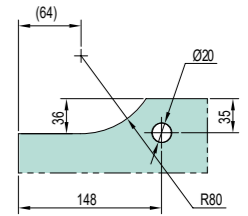
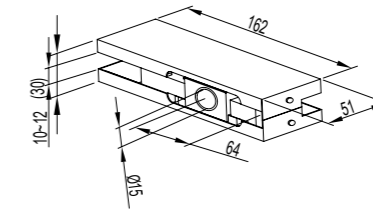
### Installation Diagram



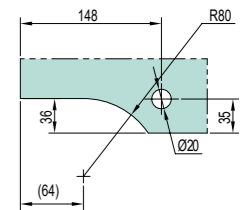
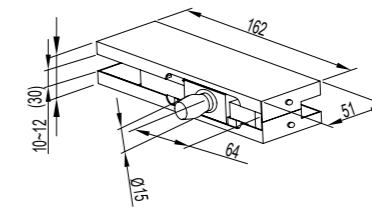
### KMJ1131D Bottom Patch



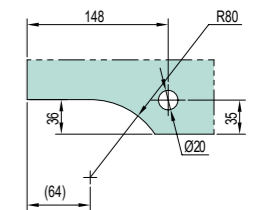
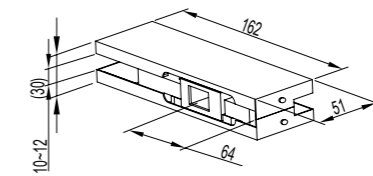
### KMJ1132D Upper Patch



### KMJ1133D Top Patch



### KMJ1131E Bottom patch



Match with floor hinge BDH40216/BDH40206

# Patch Series 100Kg

## Functional Characteristic

It's suitable for casement glass door  
 The decorative cover is fixed by inner hexagon screws  
 Both left and right doors can be used, no distinguish between left and right doors  
 The bottom patch cooperates with bottom shaft of floor hinge  
 Factory standard angle is 14° by default

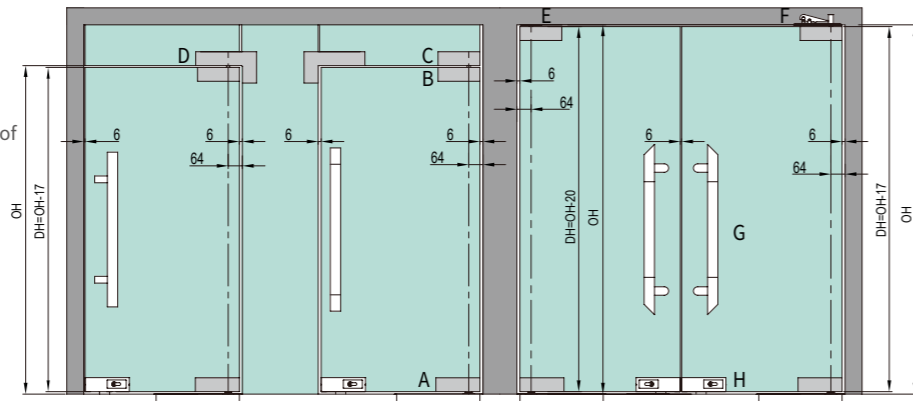
## Technical Parameters

Maximum Bearing	100kg
Glass Thickness	10-12mm
Door sash width dimension	≤1000mm
Door sash height dimension	≤2600mm

## Main Material and Surface Finish

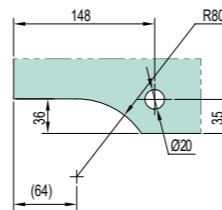
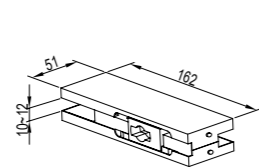
Main Material: Main body-- High strength die-casting aluminum alloy  
 Decorative cover--SS304  
 Surface Finish: Satin / Mirror

## Installation Diagram

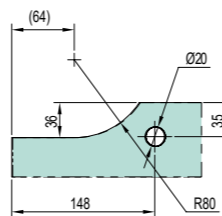
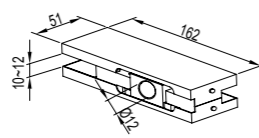


- A: Bottom Patch
- B: Upper Patch
- C: Top Patch
- D: Bending Patch
- E: Peaking Shaft
- F: Top Pivot Seat
- G: Handle
- H: Glass Door Lock

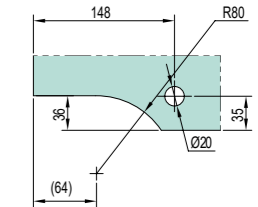
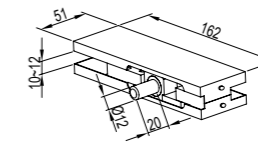
## KMJ11310 Bottom Patch



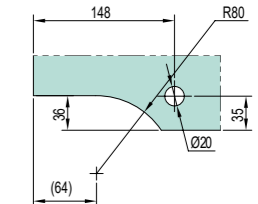
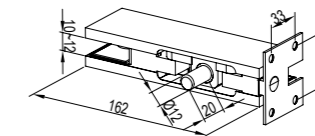
## KMJ11320 Upper Patch



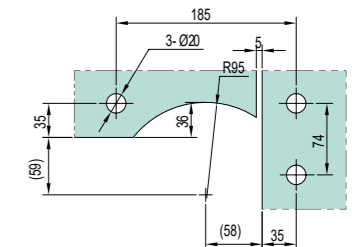
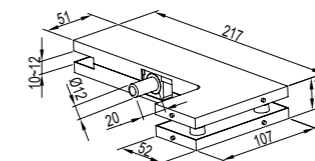
## KMJ11330 Top Patch



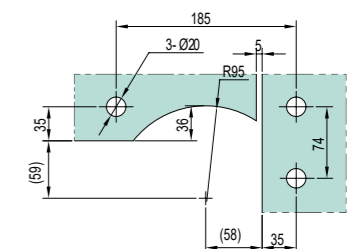
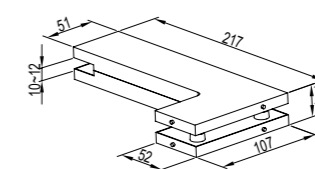
## KMJ1133A Top Patch



## KMJ11340 Bending Patch



## KMJ1134A Bending Patch





## Patch Series 130Kg

### Functional Characteristic

It's suitable for casement glass door  
 The decorative cover is fixed by inner hexagon screws  
 Both left and right doors can be used, no distinguish between left and right doors  
 The bottom patch cooperates with bottom shaft of floor hinge  
 Factory standard angle is 14° by default

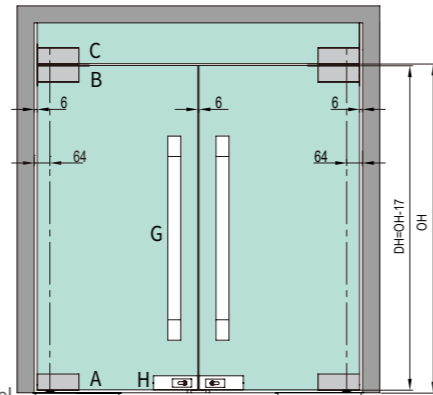
### Technical Parameters

Maximum Bearing	130kg
Glass Thickness	10-12mm
Door sash width dimension	≤1000mm
Door sash height dimension	≤2800mm

### Main Material and Surface Finish

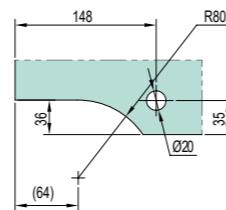
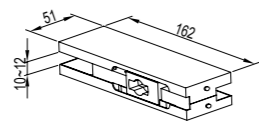
Main Material: Main body-- High strength die-casting aluminum alloy and high-quality carbon steel  
 Decorative cover--SS304  
 Surface Finish: Satin / Mirror

### Installation Diagram

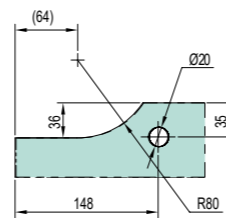
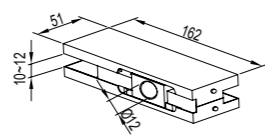


A: Bottom Patch B: Upper Patch C: Top Patch  
 G: Handle H: Glass Door Lock

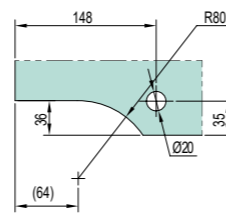
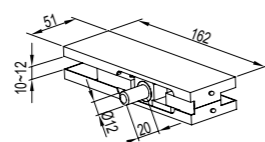
### KMJ11410 Bottom Patch



### KMJ11420 Upper Patch



### KMJ11430 Top Patch



## Patch Series 150Kg

### Functional Characteristic

It's suitable for casement glass door  
 The decorative cover is fixed by inner hexagon screws  
 Both left and right doors can be used, no distinguish between left and right doors  
 The bottom patch cooperates with bottom shaft of floor hinge  
 Factory standard angle is 14° by default

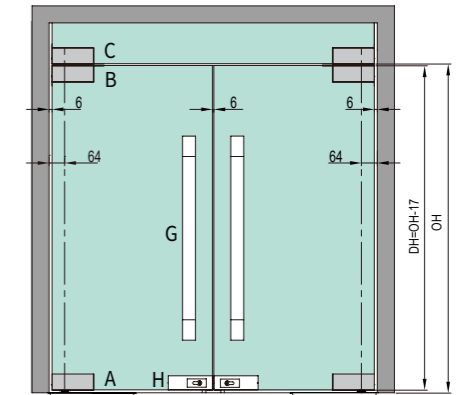
### Technical Parameters

Maximum Bearing	150kg
Glass Thickness	19mm
Door sash width dimension	≤1000mm
Door sash height dimension	≤2800mm

### Main Material and Surface Finish

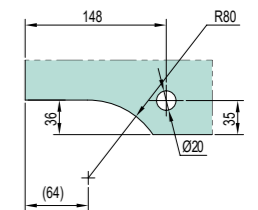
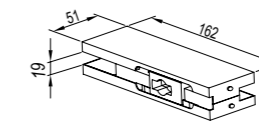
Main Material: Main body-- High strength die-casting aluminum alloy and high-quality carbon steel  
 Decorative cover--SS304  
 Surface Finish: Satin / Mirror

### Installation Diagram

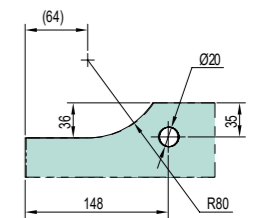
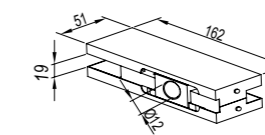


A: Bottom Patch B: Upper Patch C: Top Patch  
 G: Handle H: Glass Door Lock

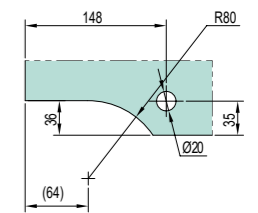
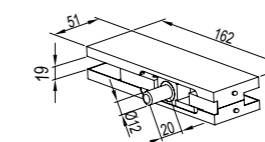
### KMJ1151B Bottom Patch



### KMJ1152B Upper Patch



### KMJ1153B Top Patch



# Patch Series 150Kg

## Functional Characteristic

It's suitable for casement glass door  
 The decorative cover is fixed by inner hexagon screws  
 Both left and right doors can be used, no distinguish between left and right doors  
 The bottom patch cooperates with bottom shaft of floor hinge  
 Factory standard angle is 14° by default

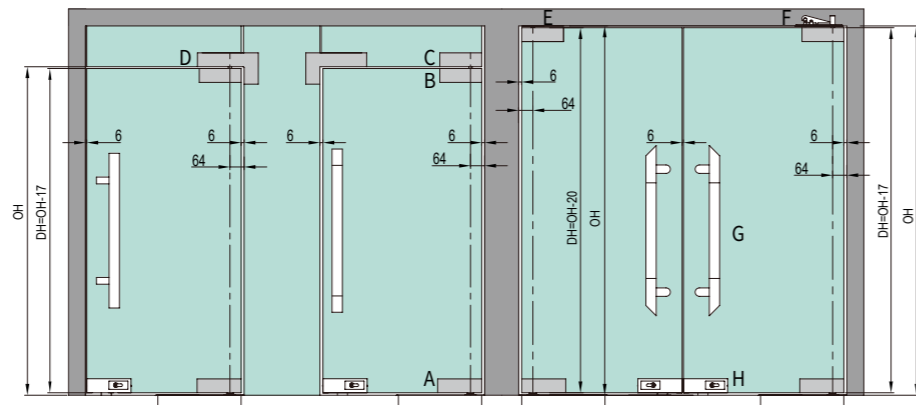
## Technical Parameters

Maximum Bearing	150kg
Glass Thickness	12、15mm
Door sash width dimension	≤1200mm
Door sash height dimension	≤2800mm

## Main Material and Surface Finish

Main Material: Main body-- High strength die-casting aluminum alloy  
 Decorative cover--SS304  
 Surface Finish: Satin / Mirror

## Installation Diagram

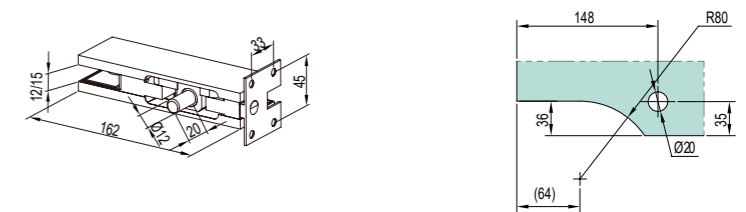


- A: Bottom Patch
- B: Upper Patch
- C: Top Patch
- D: Bending Patch
- E: Peaking Shaft
- F: Top Pivot Seat
- G: Handle
- H: Glass Door Lock

## KMJ11530 Top Patch



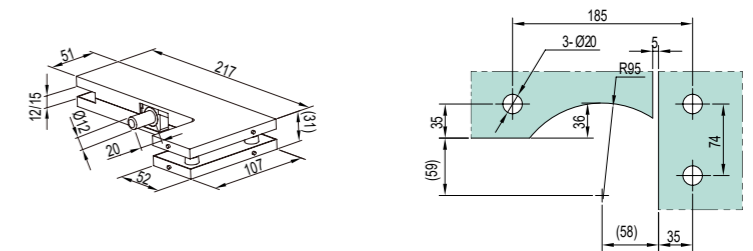
## KMJ1153A Top Patch



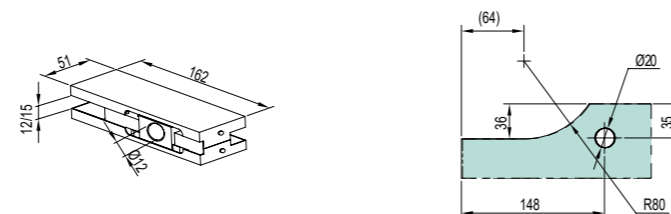
## KMJ11510 Bottom Patch



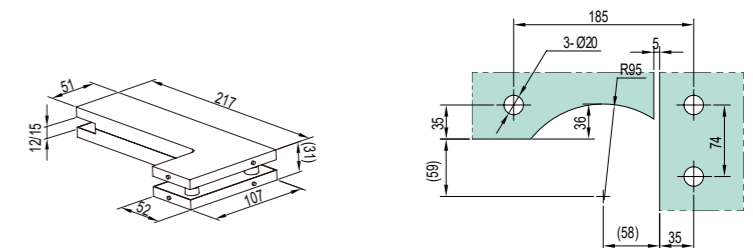
## KMJ11540 Bending patch



## KMJ11520 Upper Patch



## KMJ1154A Bending patch



## Patch Series 200Kg

### Functional Characteristic

It's suitable for casement glass door  
 The decorative cover is fixed by inner hexagon screws  
 Both left and right doors can be used, no distinguish between left and right doors  
 The bottom patch cooperates with bottom shaft of floor hinge  
 Factory standard angle is 14° by default

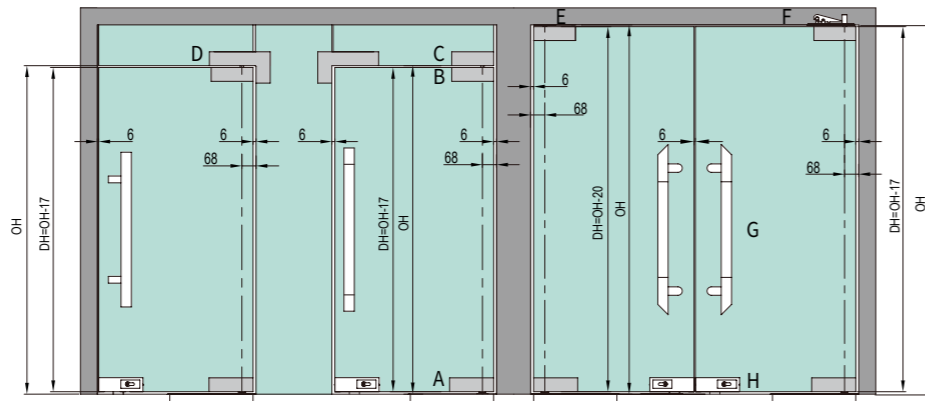
### Technical Parameters

Maximum Bearing	200kg
Glass Thickness	15-22mm
Door sash width dimension	≤1200mm
Door sash height dimension	≤3000mm

### Main Material and Surface Finish

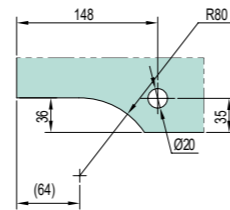
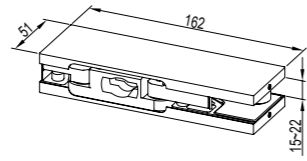
Main Material: Main body-- Precision Casting Stainless Steel  
 Decorative cover--SS304  
 Surface Finish: Satin / Mirror

### Installation Diagram

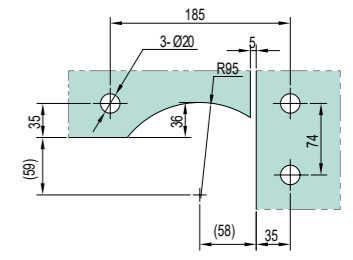
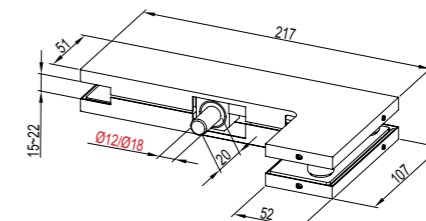


- A: Bottom Patch
- B: Upper Patch
- C: Top Patch
- D: Bending Patch
- E: Peaking Shaft
- F: Top Pivot Seat
- G: Handle
- H: Glass Door Lock

### KMJ11710 Bottom Patch

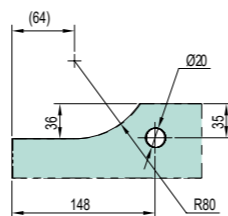
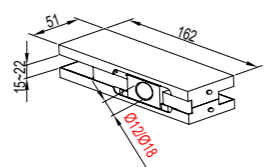


### KMJ11740 Bending patch

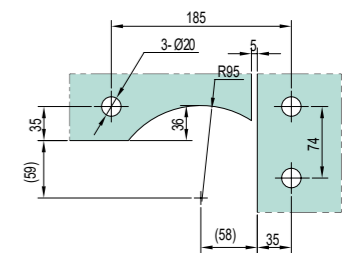
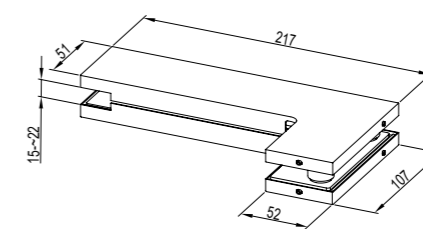


Note: Pay attention to the specifications of the matching shaft diameter when selecting

### KMJ11720 Upper Patch



### KMJ1174A Bending patch



Note: Pay attention to the specifications of the matching shaft diameter when selecting

## Patch Series 200Kg

### Functional Characteristic

It's suitable for casement glass door  
 Suitable for structure with glass fin  
 Only for auxiliary fixing for facade glass and fin glass, not use for bearing loads  
 Both left and right doors can be used, distinguish between left and right doors

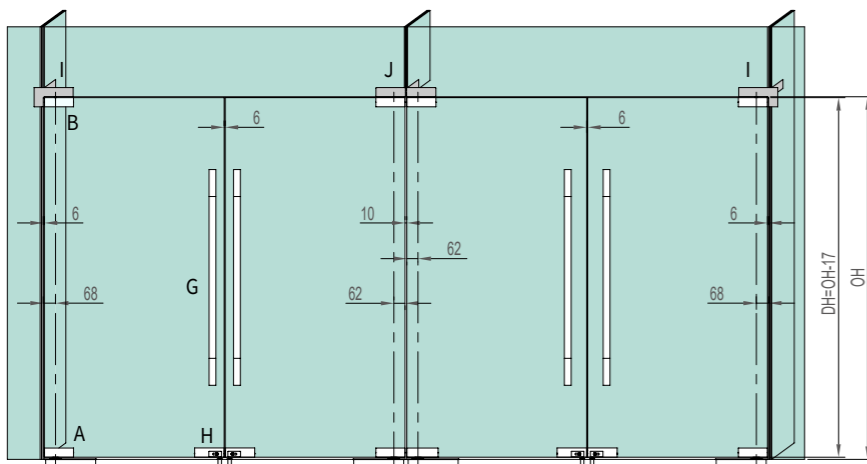
### Technical Parameters

Glass Thickness	KMJ11850	Glass panel 15-22mm、glass fin 15-25mm
	KMJ1186L/KMJ1186R	Glass panel 15-22mm、glass fin 15-20mm
Door sash width dimension	≤1200mm	
Door sash height dimension	≤3000mm	

### Main Material and Surface Finish

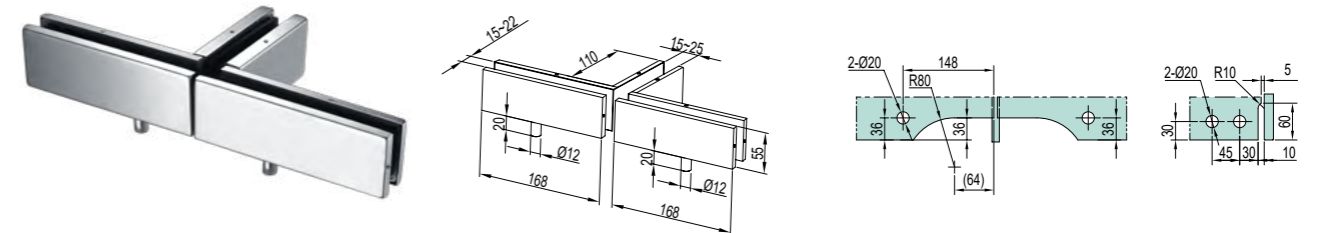
Main Material: Main body-- Precision Casting Stainless Steel  
 Surface Finish: Satin / Mirror

### Installation Diagram



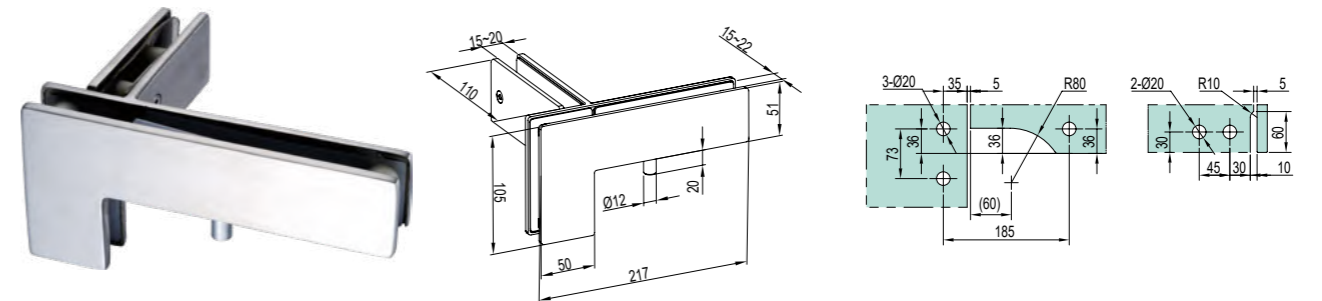
- A: Bottom Patch
- B: Upper Patch
- G: Handle
- H: Glass Door Lock
- I: F-shape Patch (L) / (R)
- J: T-shape Patch

### KMJ11850 T-shape Patch



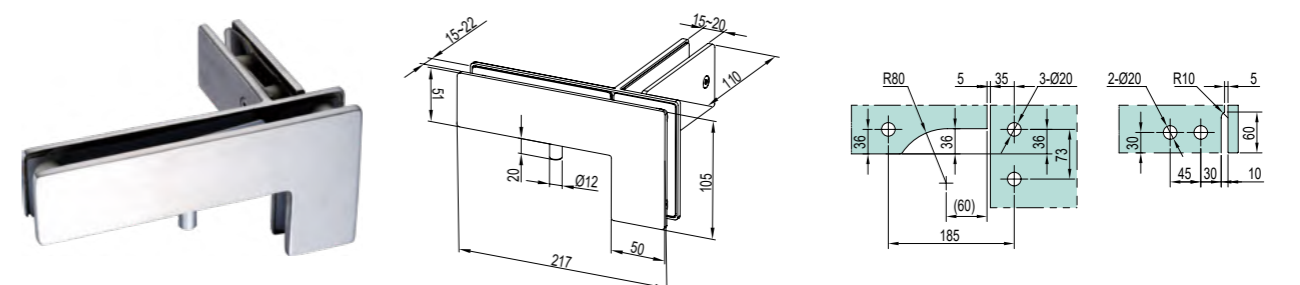
Note: The facade glass thickness is 15~22mm and the fin glass thickness is 15~25mm.

### KMJ1186L F-shape Patch



Note: The facade glass thickness is 15~22mm and the fin glass thickness is 15~20mm.

### KMJ1186R F-shape Patch



Note: The facade glass thickness is 15~22mm and the fin glass thickness is 15~20mm.



## Bracket Series 100Kg

### Functional Characteristic

It's suitable for casement glass door  
 The decorative cover is fixed by inner hexagon screws  
 Both left and right doors can be used, no distinguish between left and right doors  
 The bottom patch cooperates with bottom shaft of floor hinge  
 Factory standard angle is 14° by default

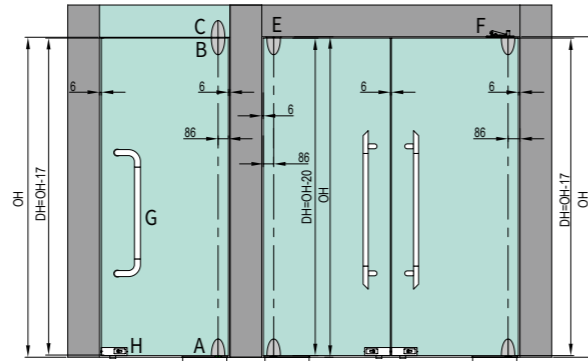
### Technical Parameters

Maximum Bearing	100kg
Glass Thickness	10-15mm
Door sash width dimension	≤1000mm
Door sash height dimension	≤2600mm

### Main Material and Surface Finish

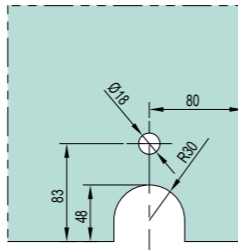
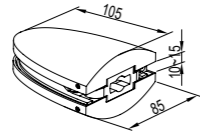
Main Material: Main body-- Precision Casting Aluminium Alloy  
 Decorative cover--SS304  
 Surface Finish: Satin / Mirror

### Installation Diagram

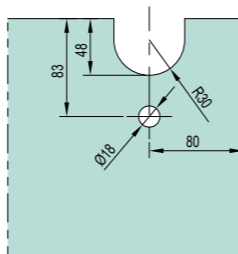
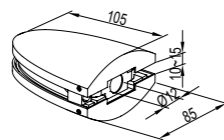


A: Bottom Bracket B: Upper Bracket C: Top Bracket  
 E: Peaking Shaft F: Top Pivot Seat G: Handle  
 H: Glass Door Lock

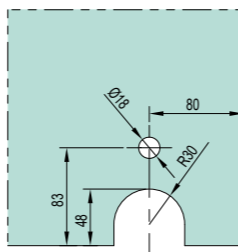
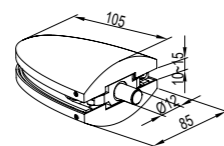
### KMJ33310 Bottom Bracket



### KMJ33320 Upper Bracket



### KMJ33330 Top Bracket



## Bracket Series 130Kg

### Functional Characteristic

It's suitable for casement glass door  
 Both left and right doors can be used, no distinguish between left and right doors  
 The bottom patch cooperates with bottom shaft of floor hinge  
 Factory standard angle is 14° by default

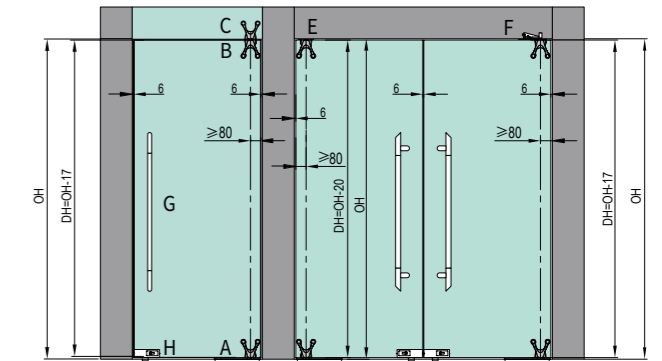
### Technical Parameters

Maximum Bearing	130kg
Glass Thickness	10-15mm
Door sash width dimension	≤1100mm
Door sash height dimension	≤2800mm

### Main Material and Surface Finish

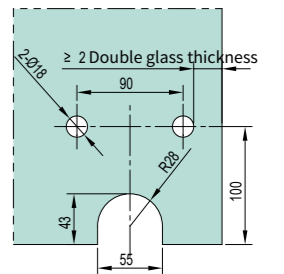
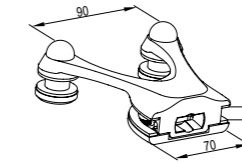
Main Material: Main body-- Precision Casting Stainless Steel 304  
 Surface Finish: Satin / Mirror

### Installation Diagram

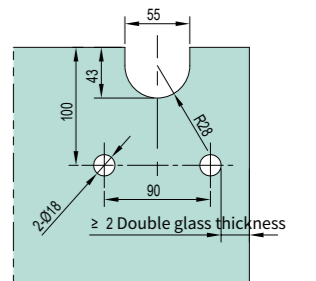
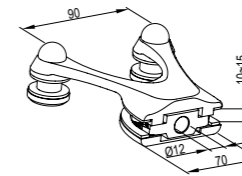


A: Bottom Bracket B: Upper Bracket C: Top Bracket  
 E: Peaking Shaft F: Top Pivot Seat G: Handle  
 H: Glass Door Lock

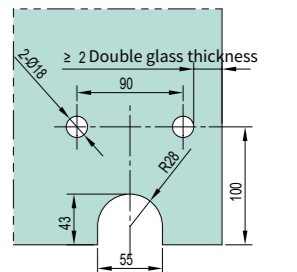
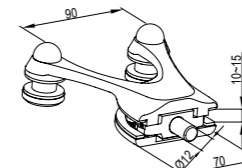
### KMJ34410 Bottom Bracket



### KMJ34420 Upper Bracket



### KMJ34430 Top Bracket



## Bracket Series 130Kg

### Functional Characteristic

- It's suitable for casement glass door
- Both left and right doors can be used, no distinguish between left and right doors
- The bottom patch cooperates with bottom shaft of floor hinge
- Factory standard angle is 14 ° by default
- The length of the long bracket is customized according to engineering requirements

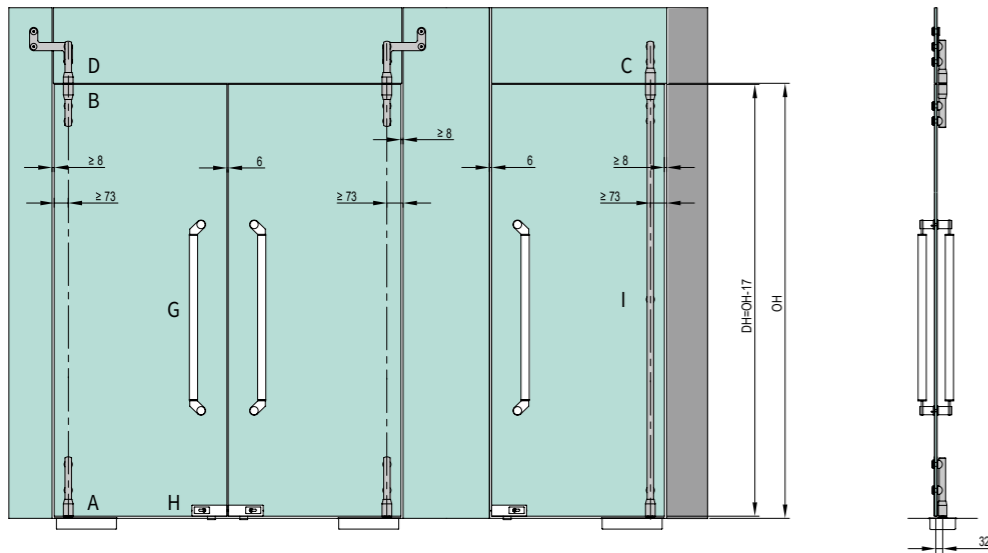
### Technical Parameters

Maximum Bearing	130kg
Glass Thickness	10-15mm
Door sash width dimension	≤1100mm
Door sash height dimension	≤2800mm

### Main Material and Surface Finish

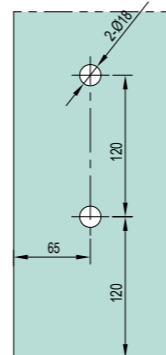
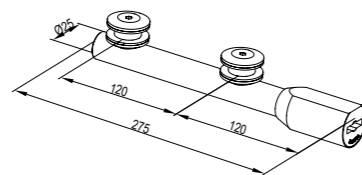
Main Material: Main body-- Precision Casting Stainless Steel 304  
Surface Finish: Satin / Mirror

### Installation Diagram

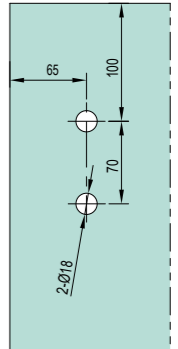
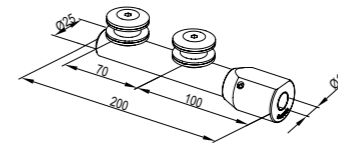


- A: Bottom Bracket
- B: Upper Bracket
- C: Top Bracket
- D: Bending Bracket
- G: Handle
- H: Glass Door Lock
- I: Long Bracket

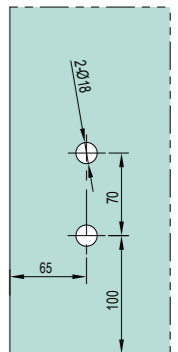
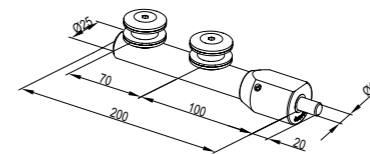
### KMJ35410 Bottom Bracket



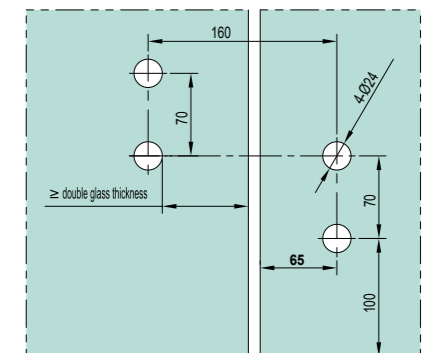
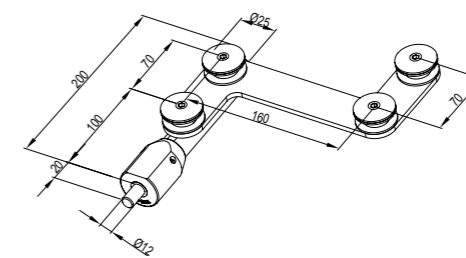
### KMJ35420 Upper Bracket



### KMJ35430 Top Bracket



### KMJ35440 Bending Bracket



## Long Patch Series 130Kg

### Functional Characteristic

- It's suitable for casement glass door
- Both left and right doors can be used, no distinguish between left and right doors
- The inner and outer clips of the main body are separated structures
- No need to cut out glass
- The bottom patch cooperates with bottom shaft of floor hinge;
- Spindle angle is 14° by default
- Need to provide glass door width DW when place order

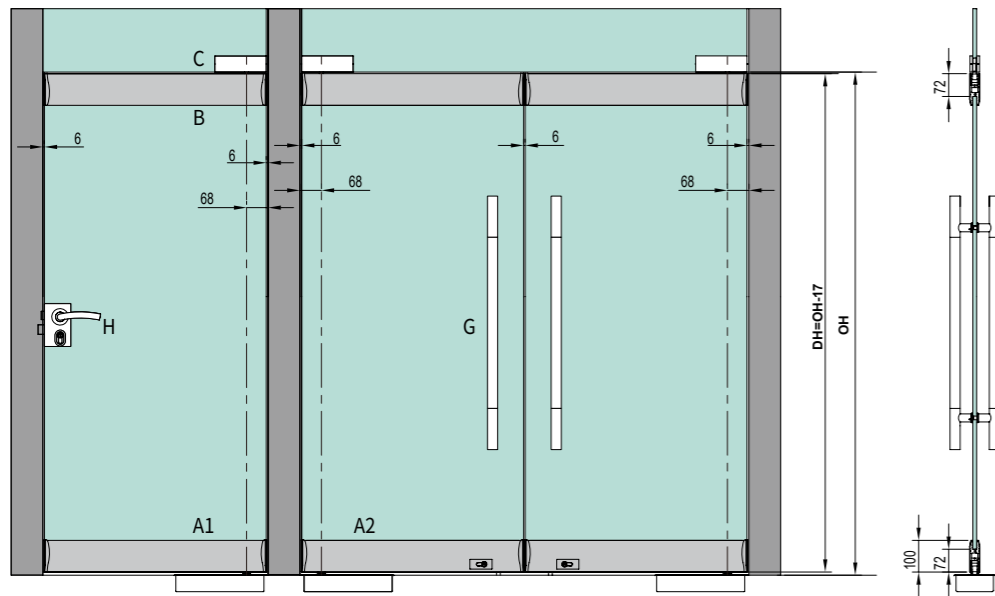
### Technical Parameters

Maximum Bearing	130kg
Glass Thickness	10-12mm
Door width dimension	≤1200mm
Door height dimension	≤2800mm

### Main Material and Surface Finish

Main Material: The main body and decorative cover are made of high strength extrusion aluminum alloy  
 Surface Finish: silvery white sandblasting oxidation

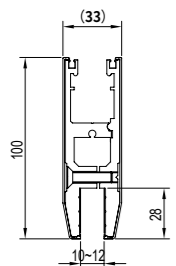
### Installation Diagram



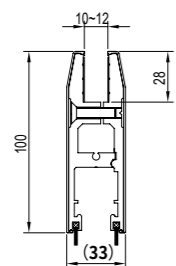
- A1: Bottom Patch
- A2: Bottom patch with lock
- B: Upper Patch
- C: Top Patch
- G: Handle
- H: Glass Door Lock

Glass door sash height cutting size = Doorway height-2\*43-17 (sum of upper and lower door seam)

L (Total length of the patch) =DW (Glass door width) +4mm

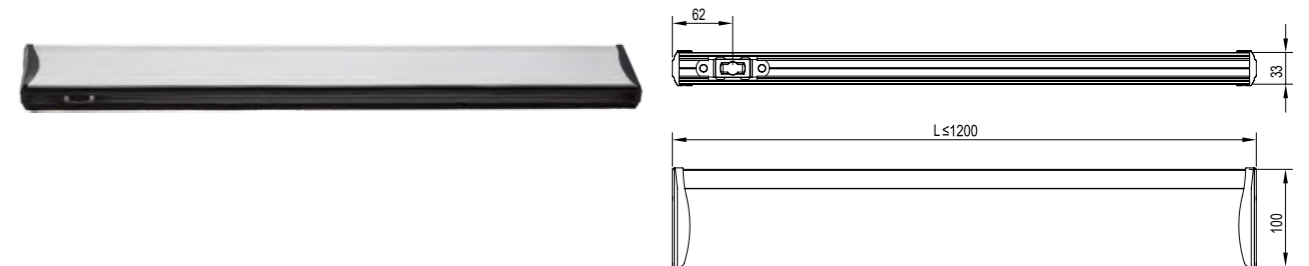


Upper patch sectional view

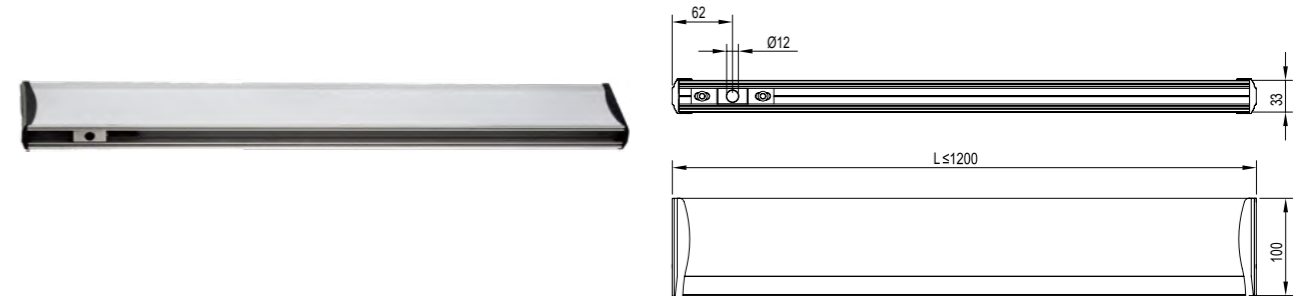


Bottom patch sectional view

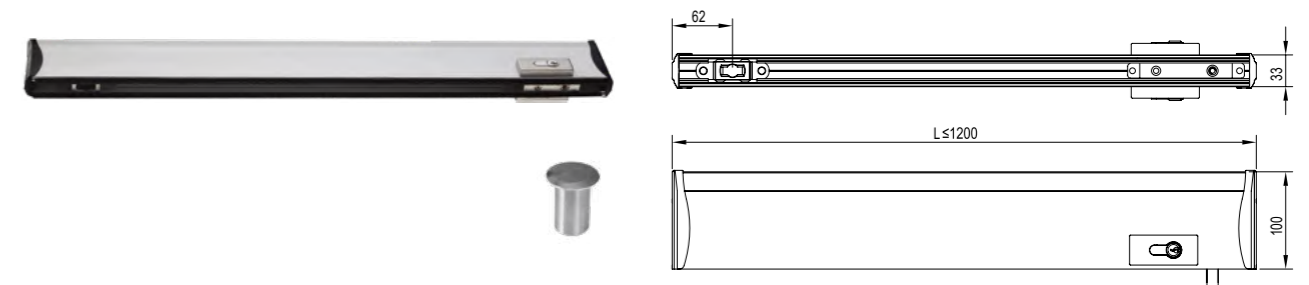
### KMJ21410 Bottom Patch



### KMJ21420 Upper Patch



### KMJ21400 Bottom patch with lock



## Long Patch Series 150Kg

### Functional Characteristic

It's suitable for casement glass door  
 Both left and right doors can be used, no distinguish between left and right doors  
 The main body is an integrated structure  
 No need to drill a hole  
 The bottom patch cooperates with bottom shaft of floor hinge;  
 Factory standard angle is 14° by default  
 Need to provide glass door width DW when place order

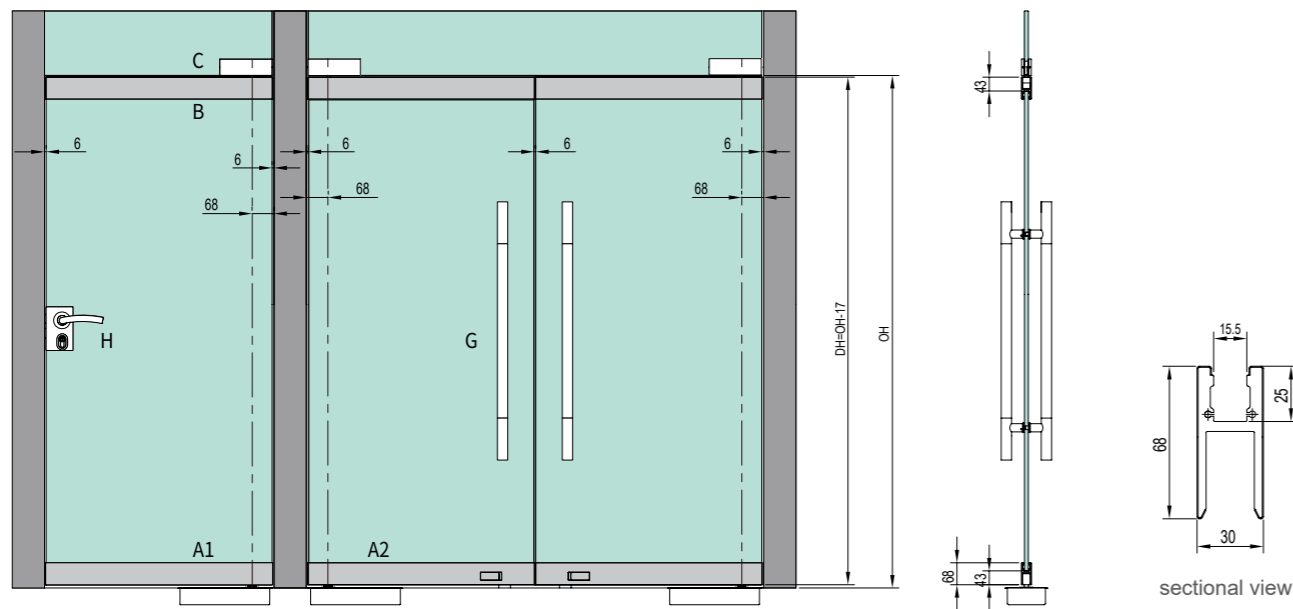
### Technical Parameters

Maximum Bearing 150kg  
 Glass Thickness 10-15mm  
 Door sash width dimension ≤1400mm  
 Door sash height dimension ≤2800mm

### Main Material and Surface Finish

Main Material: Main body is made of the high strength extrusion aluminum alloy,  
 Decorative cover is made of the SS304  
 Surface Finish : Satin

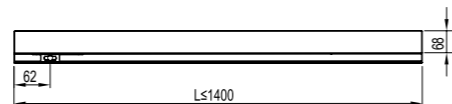
### Installation Diagram



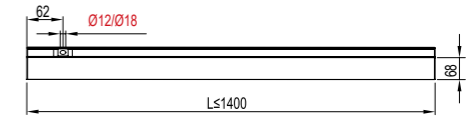
A1: Bottom Patch  
 B: Upper Patch  
 C: Top Patch  
 G: Handle  
 A2: Bottom patch with lock  
 H: Glass Door Lock

Glass door sash height cutting size = Doorway height-2\*43-17 (sum of upper and lower door seam)  
 L (Total length of the patch) =DW (Glass door width) +3mm

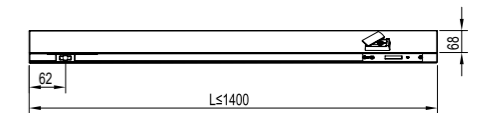
### KMJ21510 Bottom Patch



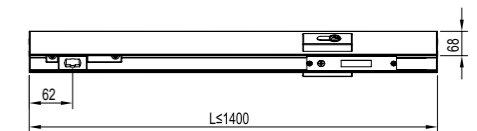
### KMJ21520 Upper Patch



### KMJ21500 Bottom patch with lock



### KMJ2150A Bottom patch with lock



## Long Patch Series 200Kg

### Functional Characteristic

It's suitable for casement glass door  
Both left and right doors can be used, no distinguish between left and right doors  
The main body is an integrated structure  
No need to drill a hole  
The bottom patch cooperates with bottom shaft of floor hinge  
Factory standard angle is 14° by default  
Need to provide glass door width DW when place order

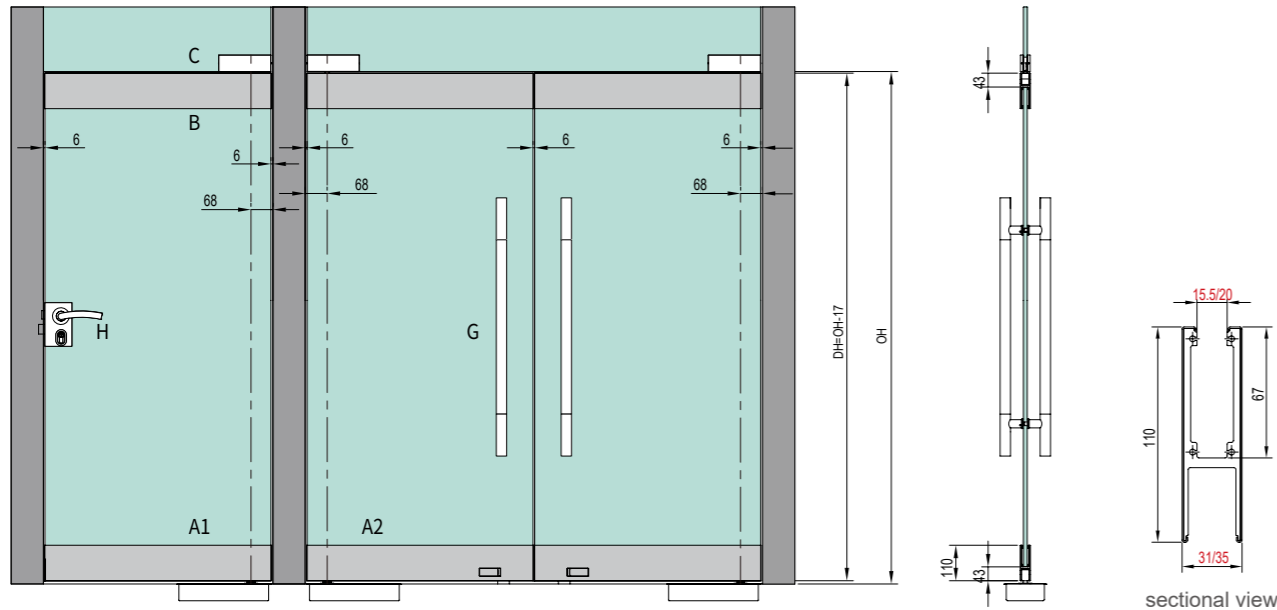
### Technical Parameters

Maximum Bearing 200kg  
Glass Thickness 10-19mm  
Door sash width dimension ≤1400mm  
Door sash height dimension ≤3000mm

### Main Material and Surface Finish

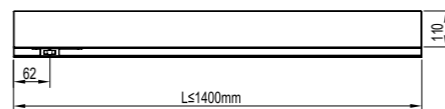
Main Material: Main body is made of the high strength extrusion aluminum alloy,  
Decorative cover is made of the SS304  
Surface Finish: Satin

### Installation Diagram

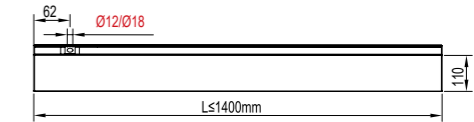


A1: Bottom Patch    A2: Bottom patch with lock    Glass door sash height cutting size = Doorway height-2\*43-17 (sum of upper and lower door seam)  
B: Upper Patch    C: Top Patch    L (Total length of the patch) = DW (Glass door width) +3mm  
G: Handle    H: Glass Door Lock

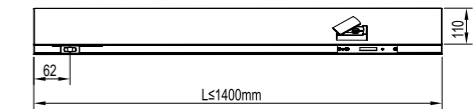
### KMJ21710 Bottom Patch



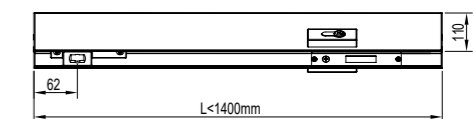
### KMJ21720 Upper Patch



### KMJ21700 Bottom patch with lock



### KMJ2170A Bottom patch with lock



## Fixed Patch Fitting 40Kg

### Functional Characteristic

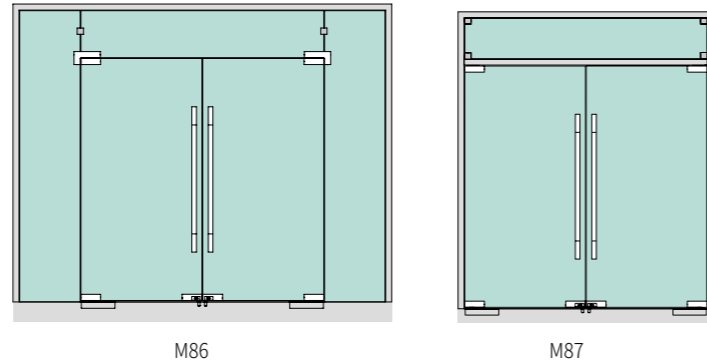
Use for the fixed glass  
Both left and right doors can be used, no distinguish between left and right doors

### Technical Parameters

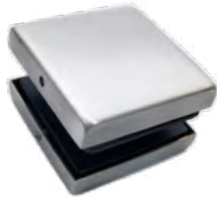
Maximum Bearing	40kg
Glass Thickness	10-12mm
Door sash width dimension	≤600mm
Door sash height dimension	≤1800mm

### Main Material and Surface Finish

Main Material: the inner core is made of high strength die-casting aluminium alloy  
Decorative cover-SS304  
Surface Finish: Mirror or Satin



### M86 Fixed Patch Fitting



#### Notes:

1. It's suitable for casement glass door, and the side and top glass are fixed with the wall;
2. Decorative cover adopts inner hexago
3. It's not recommended to be used for b large wind pressure ar

### M87 TFixed Patch Fitting



#### Notes:

1. The four edges of glass should be along with silicone when installing the product.
2. It's not recommended to be used for large wind pressure area.

## Fixed Patch Fitting 50Kg

### Functional Characteristic

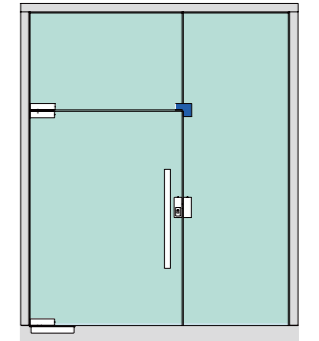
It's suitable for casement glass door  
Decorative cover adopts inner hexagon screws  
It can be opened from left or right  
Both left and right doors can be used, no distinguish between left and right doors

### Technical Parameters

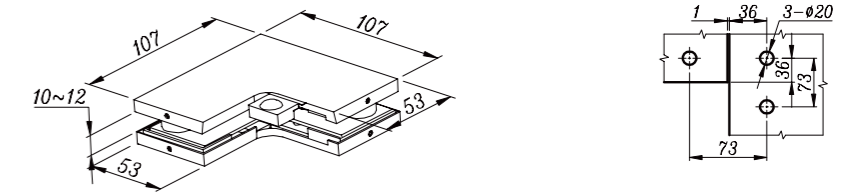
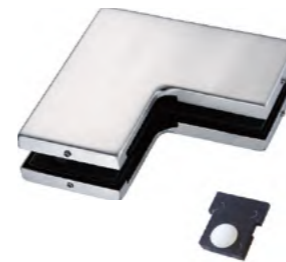
Maximum Bearing	50kg
Glass Thickness	10-12mm
Door sash width dimension	≤600mm
Door sash height dimension	≤2200mm

### Main Material and Surface Finish

Main Material: the inner core is made of high strength die-casting aluminium alloy  
Decorative cover-SS304  
Surface Finish: Mirror or Satin



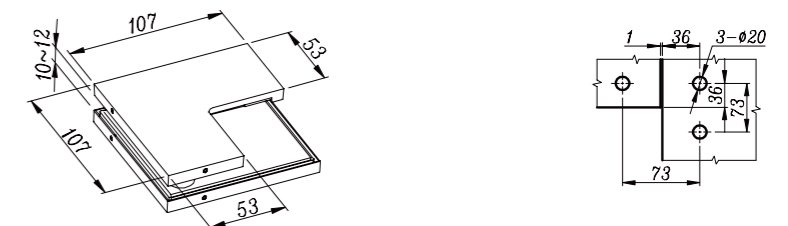
### M70 Fixed Patch Fitting



#### Notes:

1. The glass gap can be adjusted as real site condition, but center hole distances should be assured.
2. The four edges of glass should be along with silicone when installing the product..
3. It's not recommended to be used for big wind area.

### M71 TFixed Patch Fitting



#### Notes:

1. The glass gap can be adjusted as real site condition, but center hole distances should be assured.
2. The four edges of glass should be along with silicone when installing the product..
3. It's not recommended to be used for big wind area.

## Fixed Patch Fitting 50Kg

### Functional Characteristic

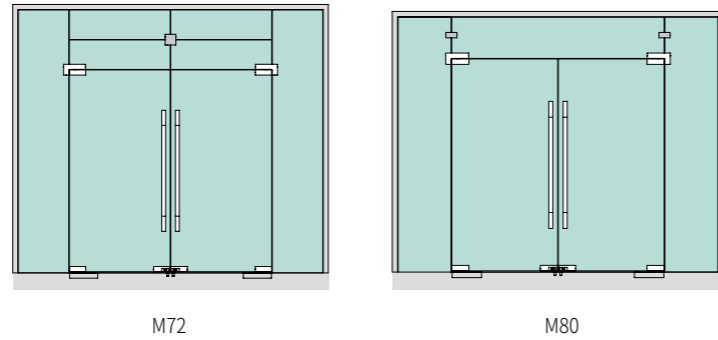
It can be opened from left or right  
Both left and right doors can be used, no distinguish between left and right doors

### Technical Parameters

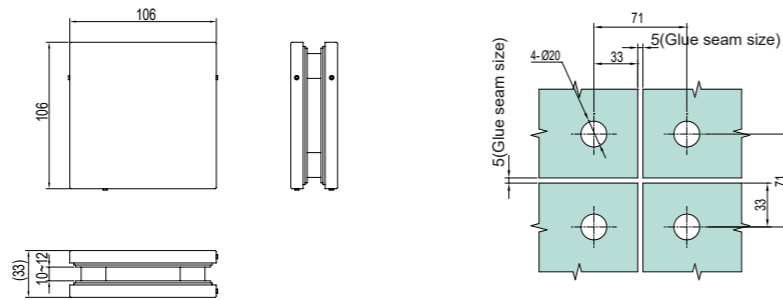
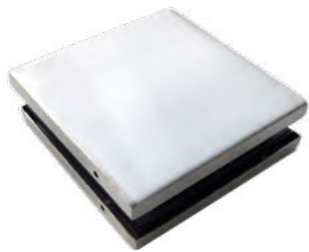
Maximum Bearing 50kg  
Glass Thickness 10-12mm  
Door sash width dimension  $\leq 600\text{mm}$   
Door sash height dimension  $\leq 2200\text{mm}$

### Main Material and Surface Finish

Main Material: The inner core is made of high strength die-casting aluminium alloy  
Decorative cover-SS304  
Surface Finish: Mirror or Satin



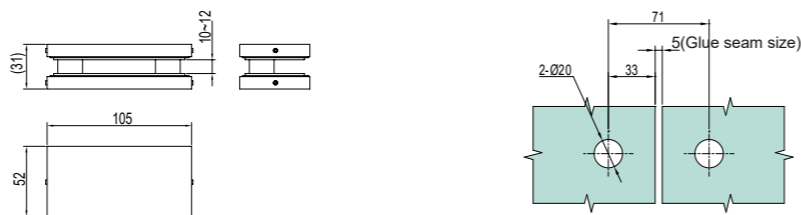
### M72 Fixed Patch Fitting



#### Notes:

1. It's suitable for casement glass door with fixed upper glass;
2. Decorative cover adopts inner hexagon screws;
1. The glass gap can be adjusted as real site condition, but center hole distances should be assured.
2. The four edges of glass should be along with silicone when installing the product..
3. It's not recommended to be used for big wind area.

### M80 Fixed Patch Fitting



#### Notes:

1. It's suitable for casement glass door with fixed side and top glass;
2. Decorative cover adopts inner hexagon screws;
1. The four edges of glass should be along with silicone when installing the product.
2. It's not recommended to be used for large wind pressure area.

## Fixed Patch Fitting 50Kg

### Functional Characteristic

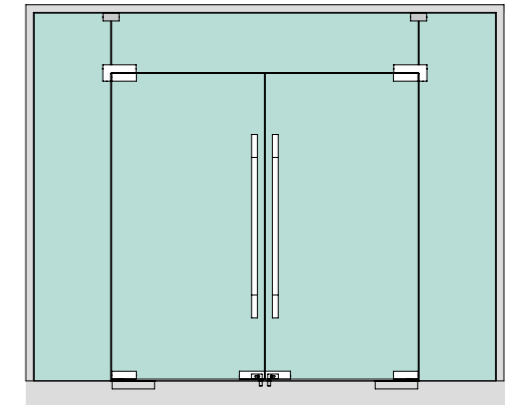
It's suitable for casement glass door, and the side and top glass are fixed with the wall  
Decorative cover adopts inner hexagon screws  
Use for the fixed glass  
Both left and right doors can be used, no distinguish between left and right doors

### Technical Parameters

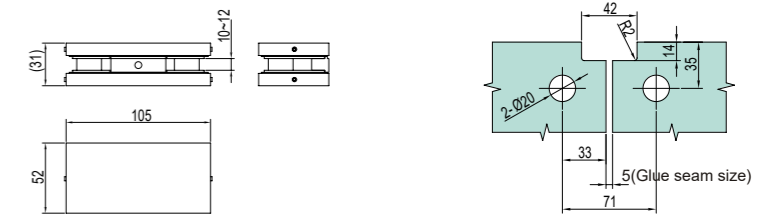
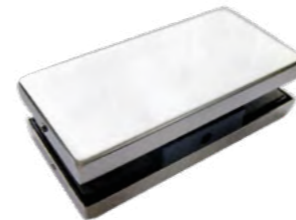
Maximum Bearing 50kg  
Glass Thickness 10-12mm  
Door sash width dimension  $\leq 600\text{mm}$   
Door sash height dimension  $\leq 2200\text{mm}$

### Main Material and Surface Finish

Main Material: the inner core is made of high strength die-casting aluminium alloy  
Decorative cover-SS304  
Surface Finish: Mirror or Satin



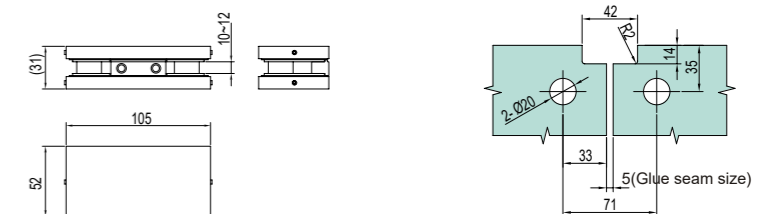
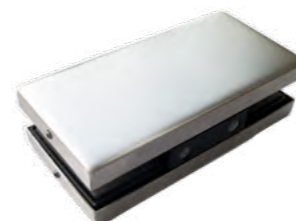
### M81 Fixed Patch Fitting



#### Notes:

1. It's suitable for casement glass door with fixed side and top glass;
2. Decorative cover adopts inner hexagon screws;
1. The glass gap can be adjusted as real site condition, but center hole distances should be assured.
2. The four edges of glass should be along with silicone when installing the product..
3. It's not recommended to be used for big wind area.

### M82 Fixed Patch Fitting



#### Notes:

1. It's suitable for casement glass door with fixed side and top glass;
2. Decorative cover adopts inner hexagon screws;
1. The glass gap can be adjusted as real site condition, but center hole distances should be assured.
2. The four edges of glass should be along with silicone when installing the product..
3. It's not recommended to be used for big wind area.

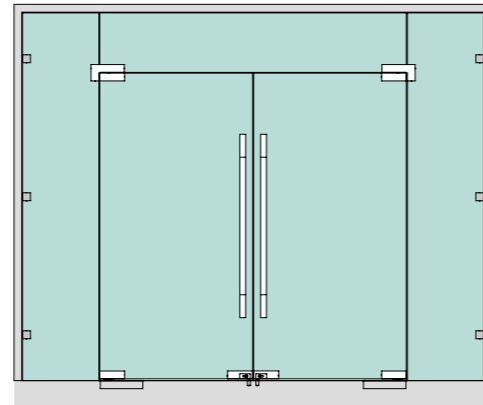
## Fixed Patch Fitting 50Kg

### Functional Characteristic

It's suitable for casement glass door, and the side and top glass are fixed with the wall  
 Decorative cover adopts inner hexagon screws  
 Use for the fixed glass  
 Both left and right doors can be used, no distinguish between left and right doors

### Technical Parameters

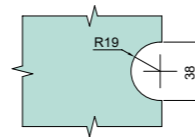
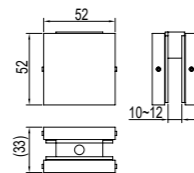
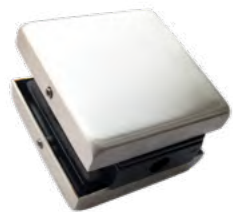
Maximum Bearing 50kg  
 Glass Thickness 10-12mm  
 Fixed glass dimension glass height  $\leq$  3000mm  
 glass width  $\leq$  5000mm adopt three fixed clamps fittings;  
 3000mm  $\leq$  glass height  $\leq$  3200mm, glass width  $\leq$  500mm,  
 then 4 fixed clamp fittings.



### Main Material and Surface Finish

Main Material: the inner core is made of high strength die-casting aluminium alloy  
 Decorative cover-SS304  
 Surface Finish: Mirror or Satin

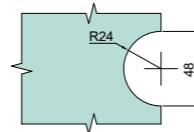
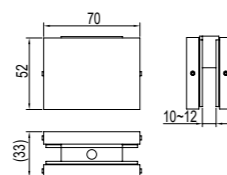
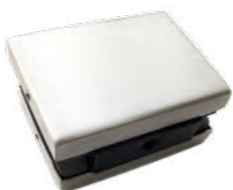
## M83 Fixed Patch Fitting



### Notes:

1. The four edges of glass should be along with silicone when installing the product.
2. It's not recommended to be used for large wind pressure area.

## M84 Fixed Patch Fitting



### Notes:

1. The four edges of glass should be along with silicone when installing the product..
2. It's not recommended to be used for large wind pressure area..

## Lock patch

### Functional Characteristic

Suitable for swing glass door  
 The decorative cover is fixed by inner hexagon screws  
 It is compatible with glass door lock KMS11210, KMS11230, KMS1123B-HW, KMS11250

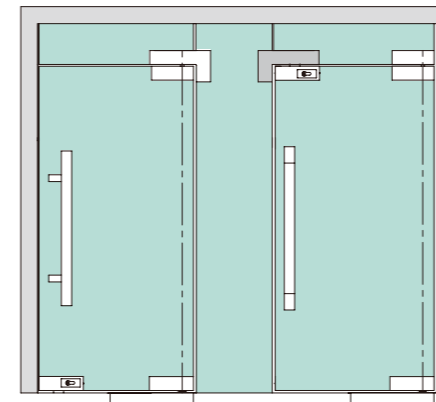
### Technical Parameters

Glass Thickness 10-12mm

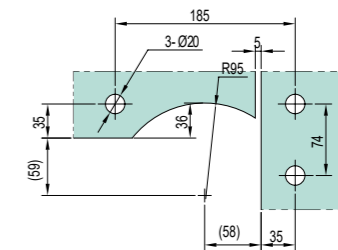
### Main Material and Surface Finish

Main Material: Main body-- High strength die-casting aluminum alloy Decorative cover--SS304  
 Surface Finish: Mirror or Satin

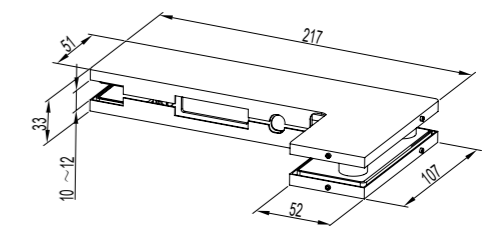
### Installation Diagram



### Drilling drawing



## M41A Lock patch





# 04

## Door Lock



## Glass Door Lock Series

### Functional Characteristic

- Suitable for the swing glass door;
- Locking and opening by keys both inside and outside;
- Suitable for single or double glass door;
- For the double doors with the center door lock, glass door latch is needed.

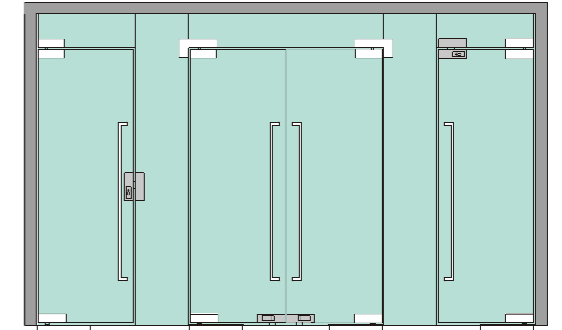
### Technical Parameters

Glass Thickness: KMS11230/KMS11240A	10~22mm
KMS11250	10~15mm

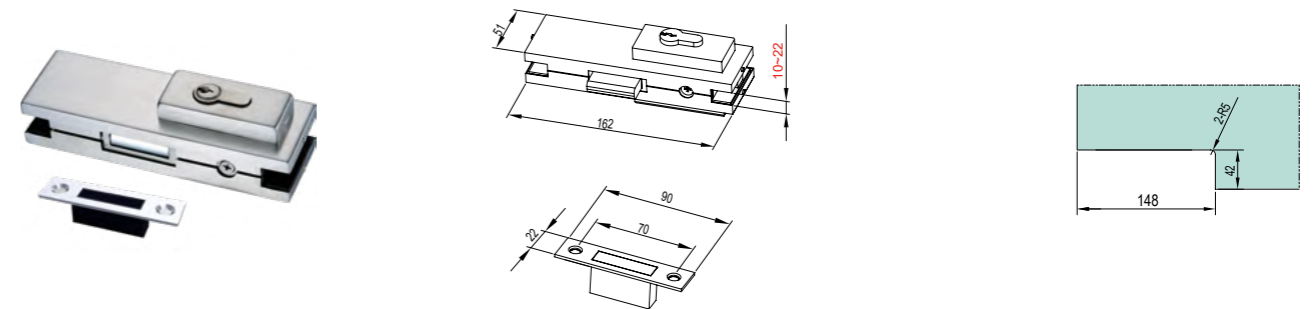
### Main Material and Surface Finish

- Main Material: The inner core is made of the high strength aluminum alloy
- Decorative cover is made of the S.S 304
- Surface Finish: Satin / Mirror

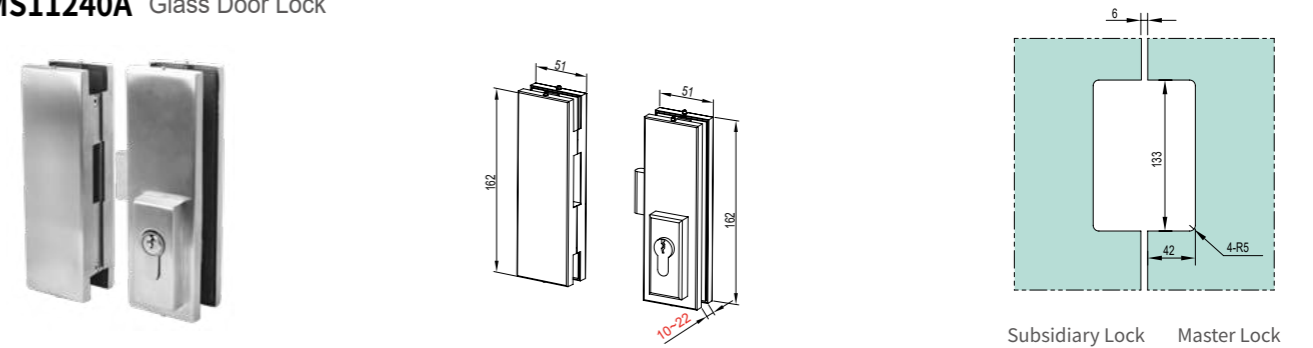
### Installation Diagram



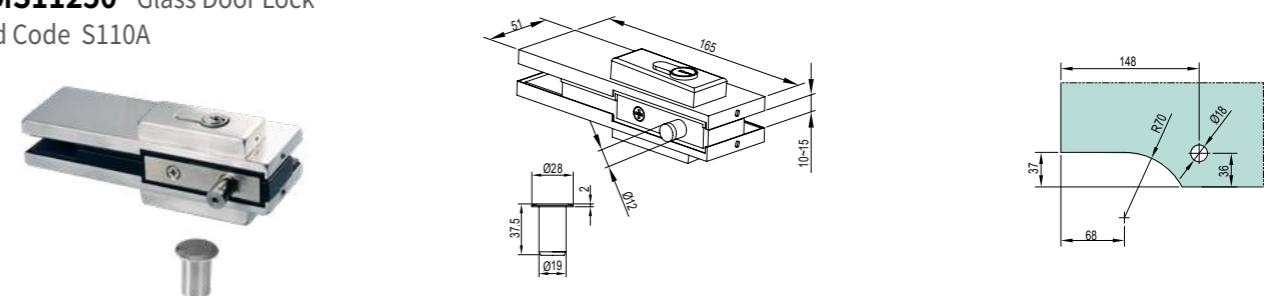
### KMS11230 Glass Door Lock



### KMS11240A Glass Door Lock



### KMS11250 Glass Door Lock Old Code S110A



Dust-proof tube can be equipped with adjustable dust-proof tube KMS51230-01

## Glass Door Lock Series

### Functional Characteristic

- Suitable for swing glass door;
- Opening and locking by the rotary knob inside and by key outside
- Suitable for single or double glass door
- For the double door with the center door lock, glass door latch is needed.

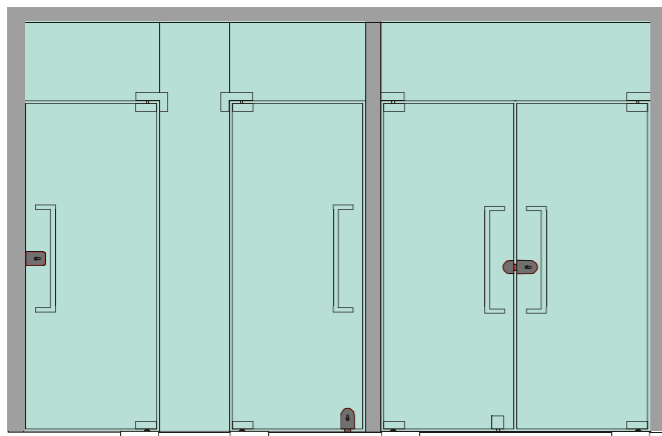
### Technical Parameters

Glass Thickness: 10~19mm

### Main Material and Surface Finish

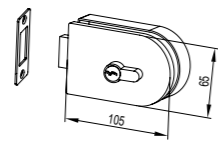
Main Material: Decorative cover is made of the S.S 304  
Surface Finish: Satin / Mirror

### Installation Diagram

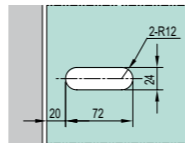


### KMS21110 Glass Door Lock

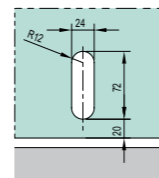
Old Code BS205



Glass Door Lock  
The glass door lock is installed in the middle of the door

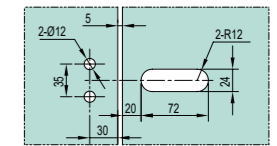
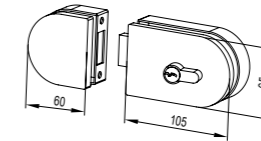


Glass Door Lock  
The glass door lock is installed at the bottom of the door



### KMS21120 Glass Door Lock

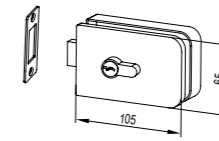
Old Code BS206



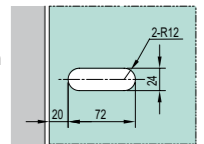
Subsidiary Lock Master Lock

### KMS21130 Glass Door Lock

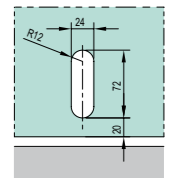
Old Code BS305



Glass Door Lock  
The glass door lock is installed in the middle of the door

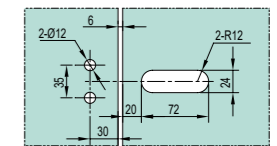
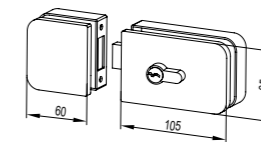


Glass Door Lock  
The glass door lock is installed at the bottom of the door



### KMS21140 Glass Door Lock

Old Code BS306



Subsidiary Lock Master Lock

## Glass Door Lock Series

### Functional Characteristic

- Suitable for sliding glass door;
- Locking and opening by keys both inside and outside;
- The subsidiary lock has a guiding function, no need to install the door bottom guide;
- Suitable for single or double glass door

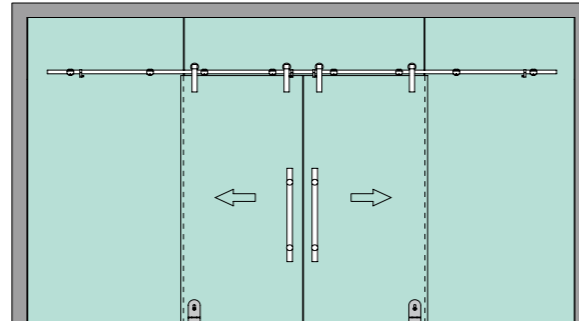
### Technical Parameters

Glass Thickness: 10~15mm

### Main Material and Surface Finish

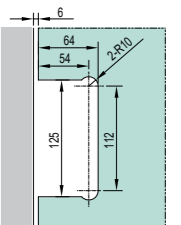
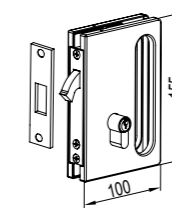
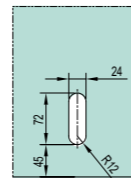
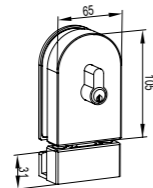
Main Material: Decorative cover is made of the S.S 304  
Surface Finish: Satin / Mirror

### Installation Diagram



### KMS12210 Glass Door Lock

Old Code BS201

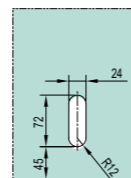
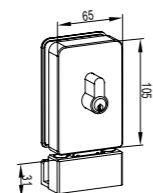


### KMS21030 Glass Door Lock

Old Code YMS31

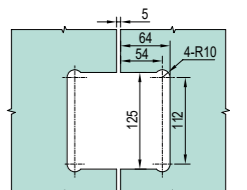
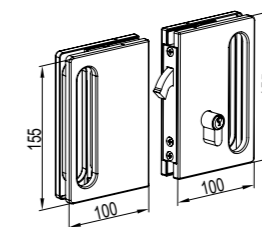
### KMS12220 Glass Door Lock

Old Code BS301



### KMS21040 Glass Door Lock

Old Code YMS32



## Glass Door Lock Series

### Functional Characteristic

- Suitable for the sliding glass door;
- Opening and locking by the rotary knob inside and by key outside
- Glass door lock as a concealed handle;
- Suitable for single or double glass door

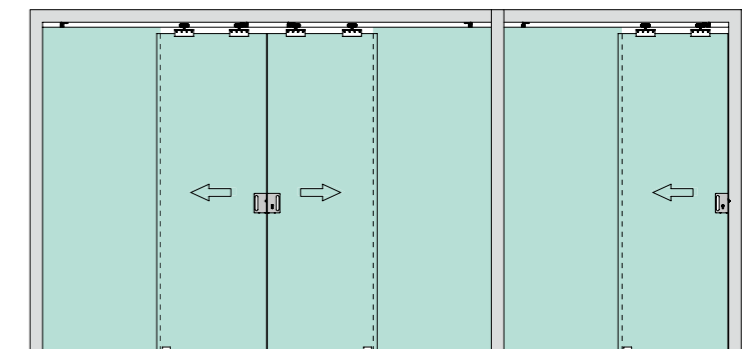
### Technical Parameters

Glass Thickness: 10~12mm

### Main Material and Surface Finish

Main Material: The inner core is made of the high strength aluminum alloy  
Decorative cover is made of the SS304  
Surface Finish: Satin / Mirror

### Installation Diagram



## Glass Door Lock Series

### Functional Characteristic

- Suitable for swing glass door;
- Locking and opening by keys both inside and outside;
- Suitable for single or double glass door
- For the double door with the center door lock, glass door latch is needed.

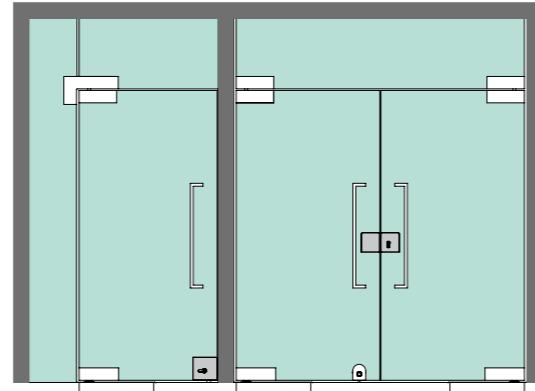
### Technical Parameters

Glass Thickness: 10~12mm

### Main Material and Surface Finish

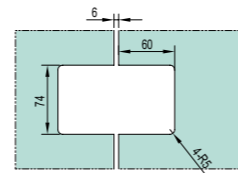
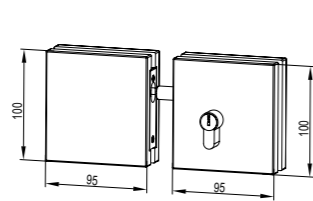
- Main Material: Decorative cover is made of the S.S 304
- Surface Finish: Satin / Mirror

### Installation Diagram



### KMS21210 Glass Door Lock

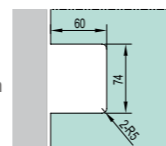
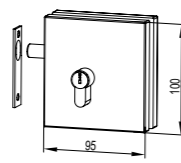
Old Code BS39



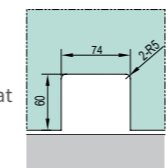
Main Body Subsidiary Lock

### KMS21220 Glass Door Lock

Old Code BS39D



Glass Door Lock  
The glass door lock is installed in the middle of the door



Glass Door Lock  
The glass door lock is installed at the bottom of the door

## Glass Door Lock Series

### Functional Characteristic

- Suitable for swing glass door;
- Indoor and outdoor use key lock, open
- With passage lock function, turn the handle to unlock
- The handle is combined with the door lock function, no need to configure the handle
- Suitable for single or double sash glass doors
- For double sash doors with intermediate locks installed, glass door latches must be installed

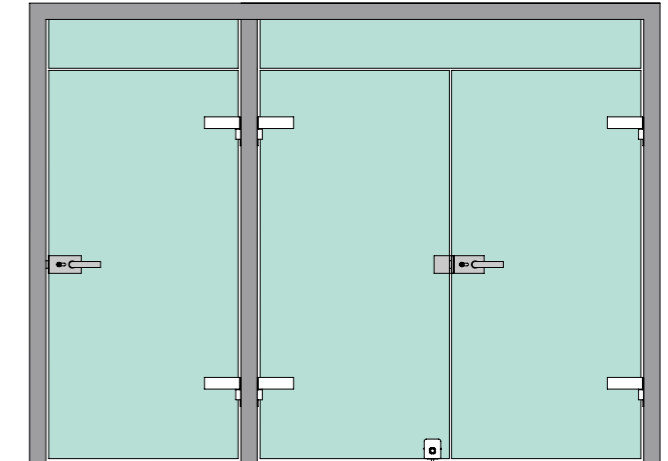
### Technical Parameters

Glass Thickness: 10~12mm

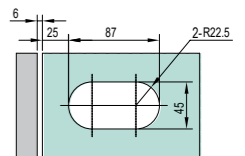
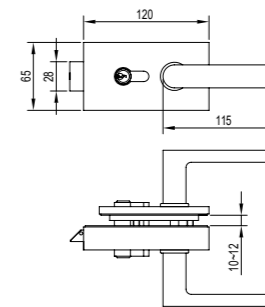
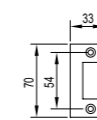
### Main Material and Surface Finish

- Main material: Decoration cover plate and handle are made of S.S. 304
- Surface Finish: Satin

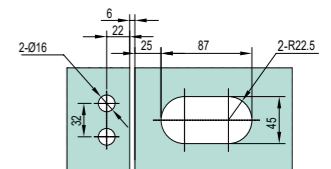
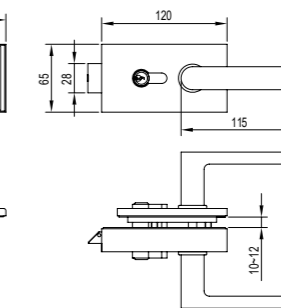
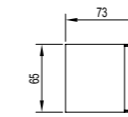
### Installation Diagram



### KMS31611 Glass Door Lock



### KMS31621 Glass Door Lock



# Glass Door Lock Series

### Functional Characteristic

Suitable for swing glass door  
 Opened and closed: Indoor using knobs; outdoor using key  
 Fixed handle and door lock integrated design, no need for additional handle  
 Suitable for single or double glass door  
 For the double door with the center door lock, glass door latch is needed

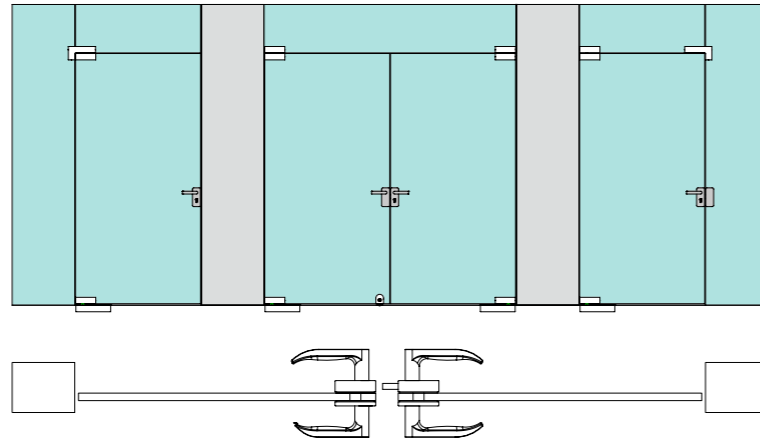
### Technical Parameters

Glass Thickness 10~15mm

### Main Material and Surface Finish

Main material: Decoration cover plate and handle are made of S.S. 304  
 Surface Finish: Satin

### Installation Diagram



**KMS1303L** Glass Door Lock



**KMS1303R** Glass Door Lock



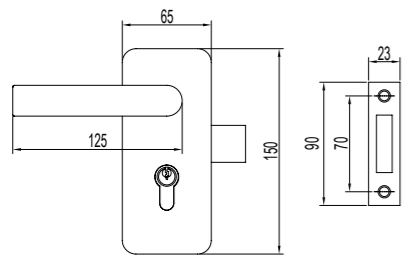
**KMS1304L** Glass Door Lock



**KMS1304R** Glass Door Lock

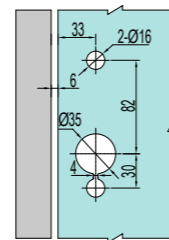


### product drawing

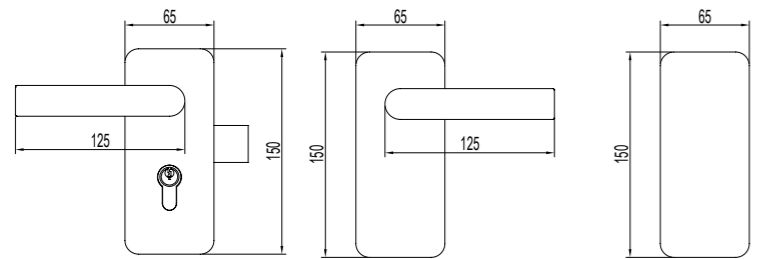


Main Body Lock Catch

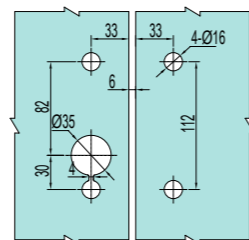
### glass hole opening



Subsidiary Lock



Main Body Subsidiary Lock Subsidiary Lock



Main Body Subsidiary Lock

**KMS1306L** Glass Door Lock



**KMS1306R** Glass Door Lock



## Glass Door Lock Series

### Functional Characteristic

- Suitable for swing glass door
- KMS41110/KMS41120 Opened and closed:Indoor using knobs;outdoor using key
- KMS41310/KMS41320 cannot be opened indoors, but it can be locked and opened with a key outdoors
- Glass does not need to drill a hole
- Suitable for single or double glass door
- For the double door with the center door lock, glass door latch is needed

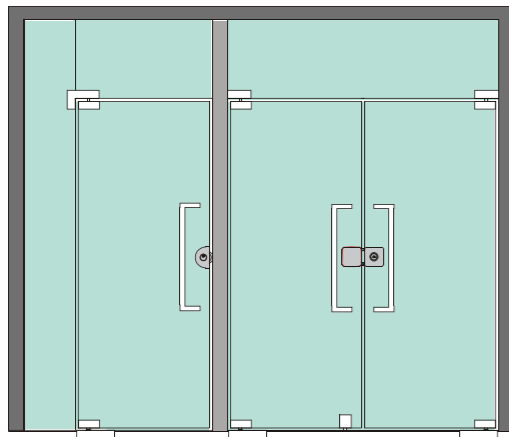
### Technical Parameters

Glass Thickness: KMS41110/KMS41120	10~12mm
KMS41310/KMS41320	10~12mm、15mm

### Main Material and Surface Finish

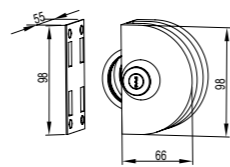
- Main Material: Decorative cover is made of the S.S 304
- Surface Finish: Satin / Mirror

### Installation Diagram



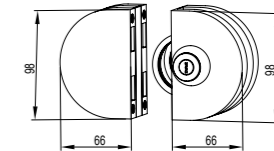
### KMS41110 Glass Door Lock

Old Code BS71



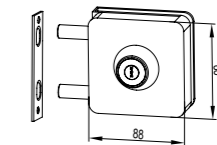
### KMS41120 Glass Door Lock

Old Code BS72



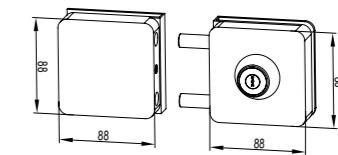
### KMS41310 Glass Door Lock

Old Code BS73/BS73A



### KMS41320 Glass Door Lock

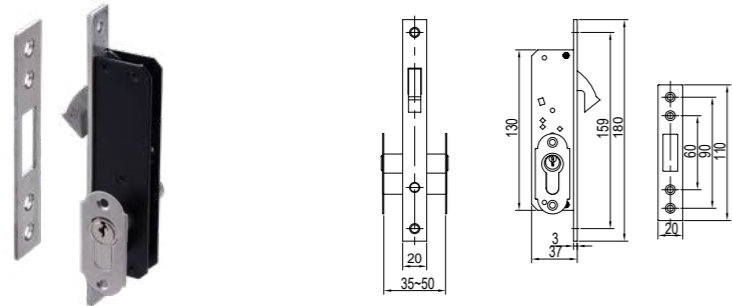
Old Code BS74/74A





## Sliding door lock Series

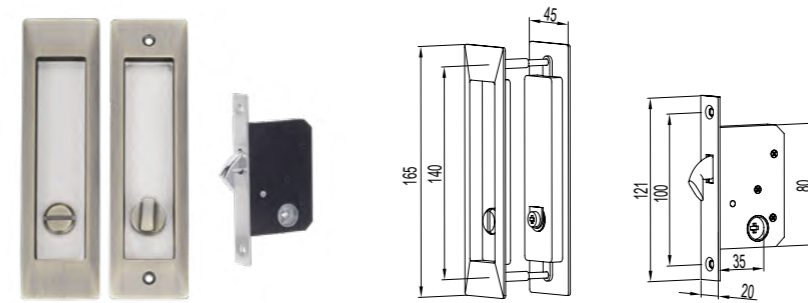
**KMS61010** Sliding door lock



### Technical Parameters

Applicable door sash thickness 35~50mm  
 Main material : lock head cover 304 stainless steel, main body is high quality carbon steel  
 Surface treatment is satin + baking paint (black)  
 Lock form is double lock  
 Suitable for wooden sliding doors  
 Installed in the middle of the door sash

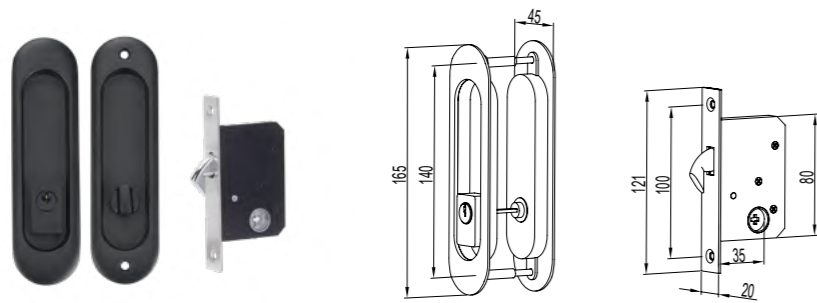
**KMS61050** Sliding door lock



### Technical Parameters

Applicable door sash thickness 38~50mm  
 The main material is zinc alloy  
 Surface treatment is sprayed black, nickel brushed, green bronze  
 Opened and closed:Indoor using thumb turn  
 outdoor using coin slot for emergency opening  
 Install in the middle of the door sash  
 Applicable door type wooden sliding door

**KMS61040** Sliding door lock



### Technical Parameters

Applicable door sash thickness 38~50mm  
 The main material is zinc alloy  
 Surface treatment is sprayed black, nickel brushed, green bronze  
 Opened and closed:Indoor using knob  
 outdoor using key  
 Install in the middle of the door sash  
 Applicable door type wooden sliding door



# 05

Door Hinge



## Glass Door Hinge Series

### Functional Characteristic

- It's suitable for casement glass door
- The door sash is opened in one direction, no positioning function
- Can be used to open the door left and right, without distinguishing the left and right doors
- Can be fixed with frame profiles, walls and metal frames

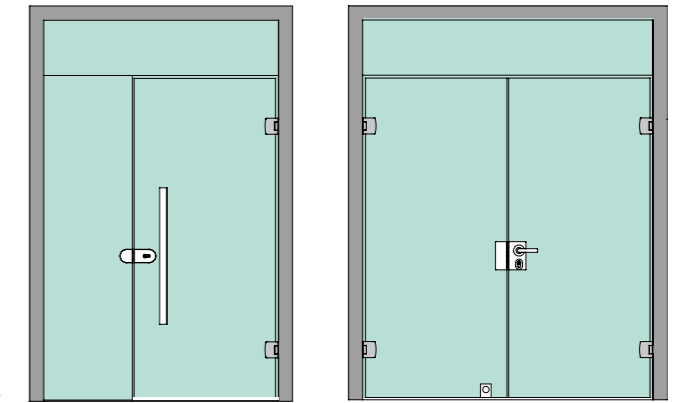
### Technical Parameters

- Maximum Bearing: 80Kg
- Glass Thickness: 10~15mm
- Door sash specifications: door height  $\leq$  2000mm, door width  $\leq$  800mm, with 2 glass door hinges
- 2000<door height  $\leq$  2400mm/800<door width  $\leq$  1000mm), with 3 glass door hinges

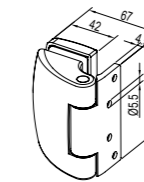
### Main Material and Surface Finish

- Main Material: body of 304 stainless steel
- Surface Treatment: Mirror / Satin

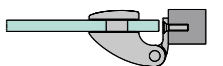
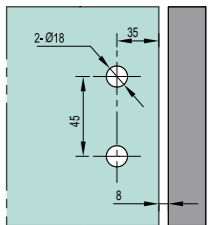
### Installation Diagram



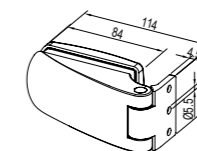
### KHY1210 Glass Door Hinge



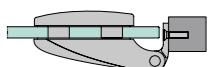
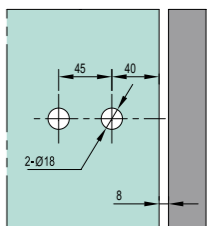
The door opening angle is 0°~ 120°



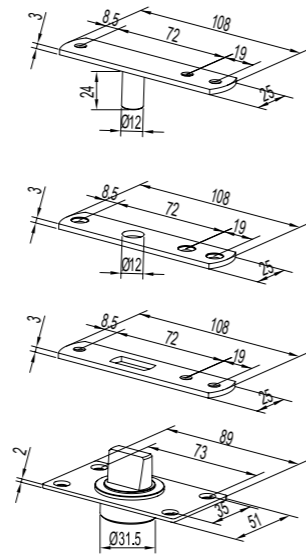
### KHY12210 Glass Door Hinge



The door opening angle is 0°~ 120°



## KHY54310 Pivot Hinge



### Functional Characteristic

Suitable for side hung door  
 Suitable for side hung profile door, metal door, wooden door  
 No positioning function, doors opening angle from 0 to 360 degree

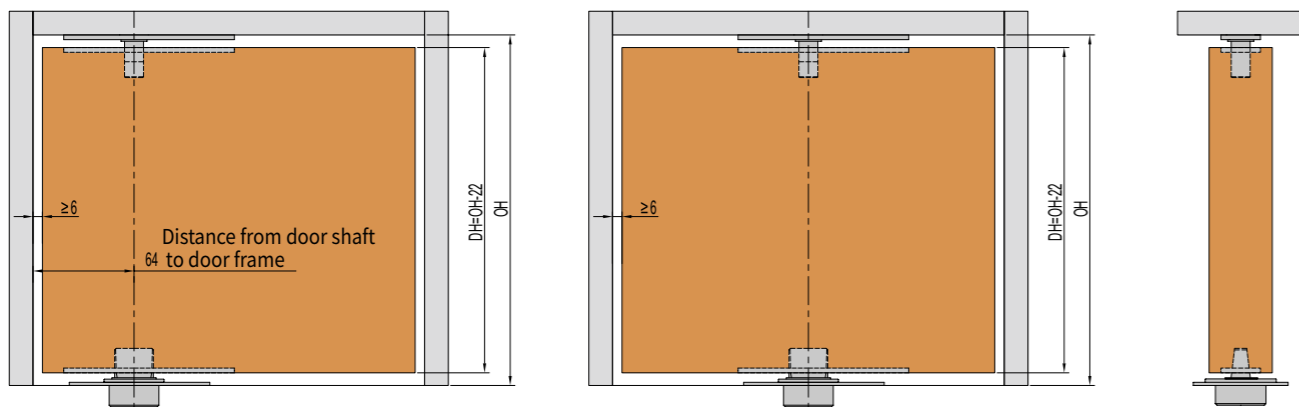
### Technical Parameters

Maximum Bearing: 100Kg  
 Max door sash thickness: 62mm

### Main Material and Surface Finish

Main Material: 304 stainless steel  
 Surface Finish: satin

### Installation Diagram



## Pivot Hinge Series

### Functional Characteristic

Suitable for side hung door  
 Suitable for side hung profile door  
 metal door, framed door, frameless glass door  
 No locating function

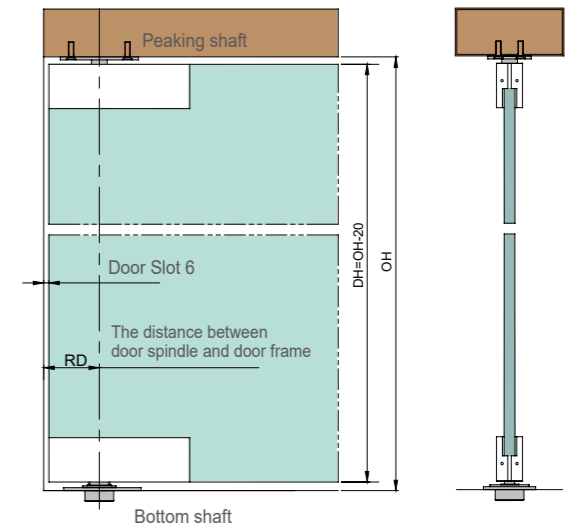
### Technical Parameters

Maximum Bearing: KHY53500、KHY53511、KHY53520 150Kg  
 KHY53512 200Kg

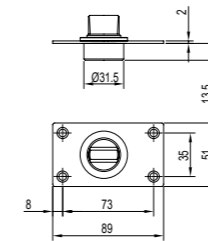
### Main Material and Surface Finish

Main Material: Panel is made of S.S 304  
 Surface Finish: satin

### Installation Diagram

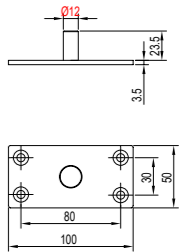


### KHY53500 Bottom shaft



Cooperate with center pivoted arm  
 DY05 and bottom patch  
 Spindle angle is 14° by default

### KHY53511 Peaking shaft

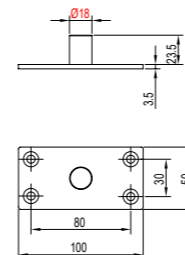


Note: cooperate with pivot bottom seat  
 DX03/DX05/BDP70202  
 the maximum thickness of door  
 sash is 68mm

### KHY53512 Peaking shaft



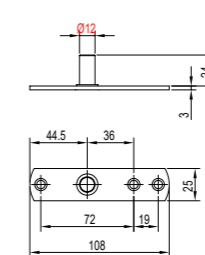
Note: cooperate with pivot bottom seat DX04/DX07/  
 BDP40002 and upper patch KMJ11720(Φ18)/  
 KMJ21520(Φ18)/KMJ21720(Φ18); The maximum  
 thickness of door sash is 68mm



### KHY53520 Peaking shaft



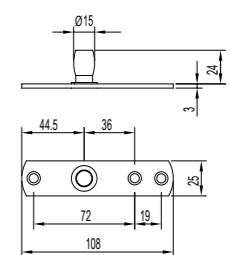
Note: cooperate with pivot bottom  
 seat DX03/DX05/BDP70202  
 The maximum thickness of door  
 sash is 62mm



### KHY53520(Φ15) Peaking shaft



Note: Use with door patch KMJ1132D  
 The maximum thickness of door  
 sash is 62mm



# 06

## Auxiliary Accessories



## Glass Door Latch Series

### Functional Characteristic

Suitable for double sashes swing glass doors indoor using knobs to lock and open, but cannot be opened outdoors  
 For the double door with the center door lock, glass door latch is needed.  
 KFJ11210/KFJ11250T/KFJ11260he glass needs drilling to ensure that the bolt is firm  
 KFJ11270/KFJ11280 installation position glass door sash without opening

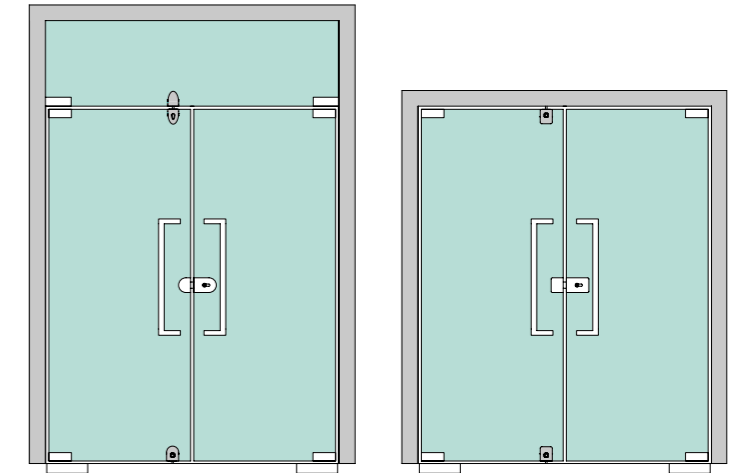
### Technical Parameters

Applicable door sash thickness  
 KFJ11210/KFJ11220/KFJ11250/KFJ11260 10-15mm  
 KFJ11270/KFJ11280 10-12mm、15mm

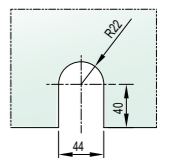
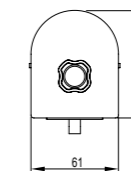
### Main Material and Surface Finish

Main Material: Body Aluminum alloy, decorative cover 304 stainless  
 Surface Finish: Satin/Mirror

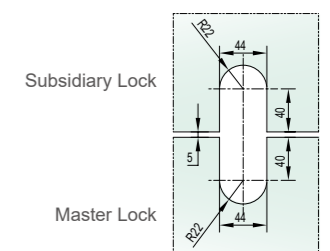
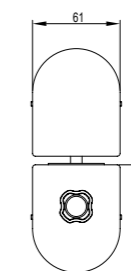
### Installation Diagram



### KFJ11210 Glass Door Latch

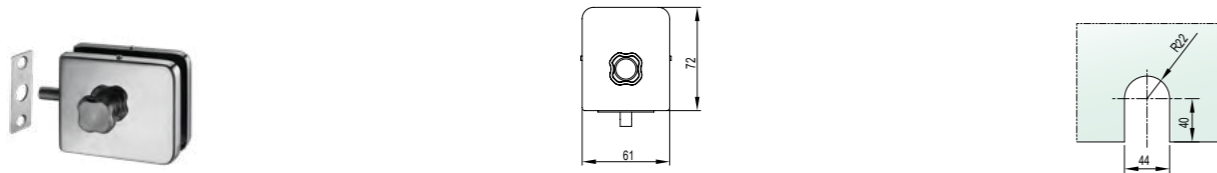


### KFJ11220 Glass Door Latch

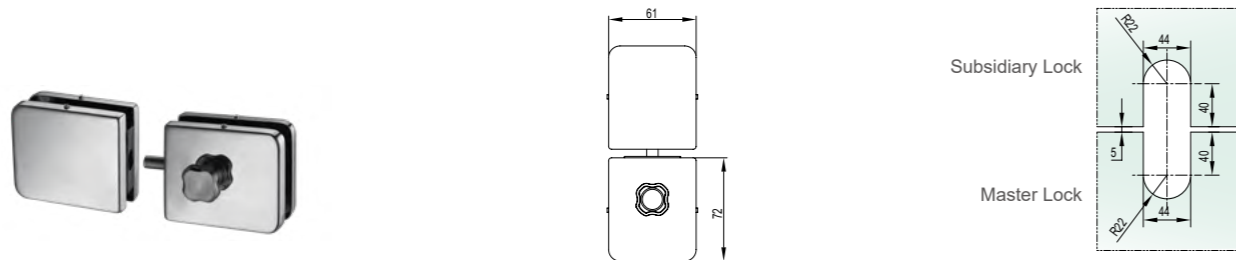


## Glass Door Latch Series

**KFJ11250** Glass Door Latch



**KFJ11260** Glass Door Latch



**KFJ11270** Glass Door Latch



**KFJ11280** Glass Door Latch



## Framed Door Latch Series

**KFJ51220** Framed Door Latch

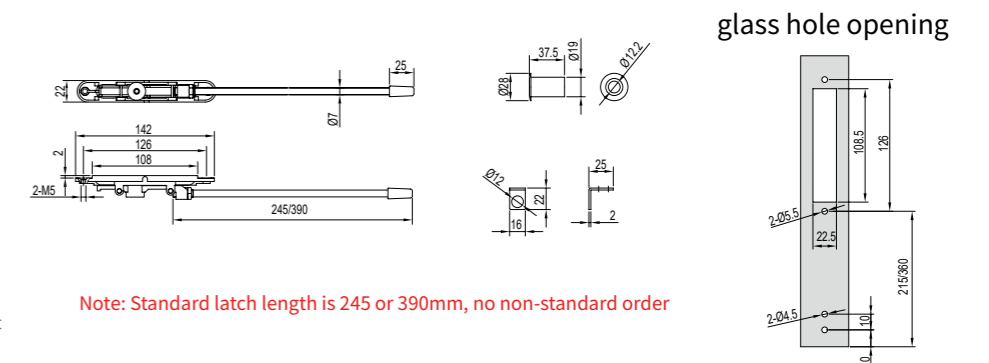


### Functional Characteristic

Suitable for profile doors  
 Concealed in the inner cavity of the profile after installation  
 The support component has guide function and stable operation.  
 Dust-proof cylinder can prevent dust and other debris from entering, effectively ensuring smooth operation of the bolt;  
 For the double door with the inter mediate door lock, glass door latch is needed.

### Main Material and Surface Finish

Main Material: Main body is zinc alloy, latch bar is carbon steel  
 Surface Finish: Main body is the silver gray stoving varnish, latch bar is color-plated zinc



Note: Standard latch length is 245 or 390mm, no non-standard order

**KFJ5122A** Framed Door Latch

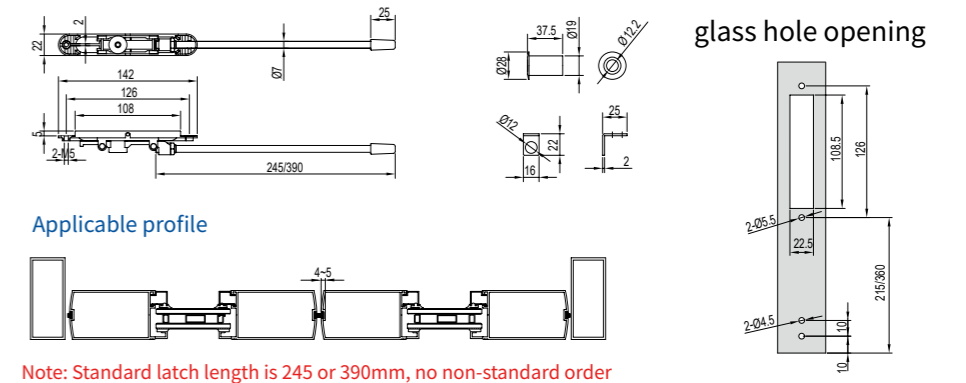


### Functional Characteristic

Profile door, special for the structure with a seal strip in the middle of the profile mullion.  
 Concealed in the inner cavity of the profile after installation  
 The support component has guide function and stable operation.  
 Dust-proof cylinder can prevent dust and other debris from entering, effectively ensuring smooth operation of the bolt;  
 For the double door with the inter mediate door lock, glass door latch is needed.

### Main Material and Surface Finish

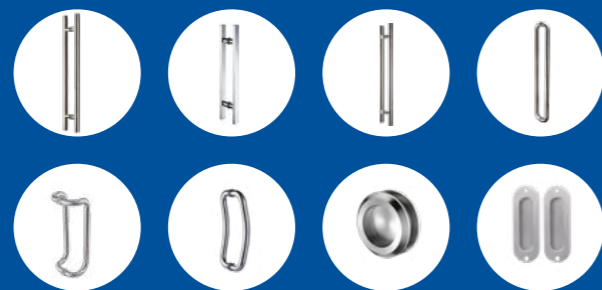
Main Material: Main body is zinc alloy, latch bar is carbon steel  
 Surface Finish: Main body is the silver gray stoving varnish, latch bar is color-plated zinc



Note: Standard latch length is 245 or 390mm, no non-standard order

# 07

## Door Handle



### Stainless steel handle(Big)



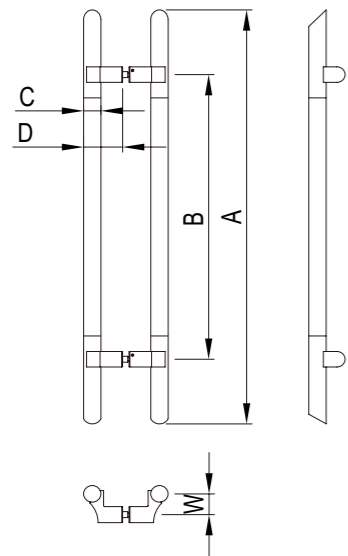
### Stainless steel handle(Small)



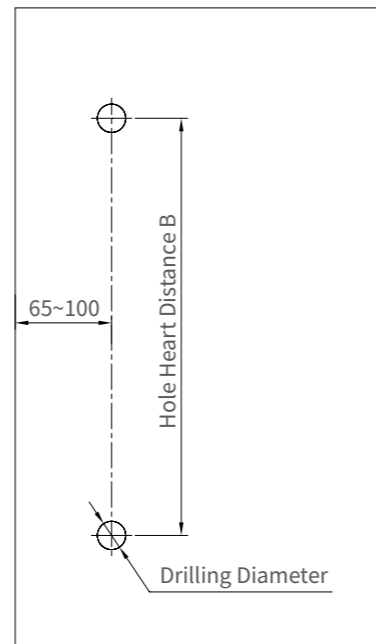
### Sliding door handle



**Luxury handle**



**Product hole drawing**



- Note:**
1. The trepanning diameter is relied on the specific handle code.
  2. When the door width is more than 1000mm, it needs to adjust the distance (65-100) between handle center and door frame.

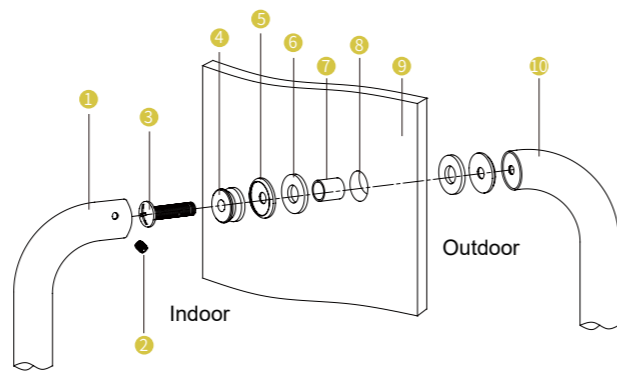
**Product Dimension Definition**

- A Total length of handle
- B Center hole Distance
- C Handle Pipe Dimensions
- D Distance between the outside handle and the glass surface
- W Distance between the support centre of handle and the hole centre

**Surface Finish**

Type	Standard Color
Electroplating	Red bronze
	Green bronze
	Champaign Gold
	Rose Gold
	Black Titanium
Spraying	Black (AD3000-4383236)
	Coffee (SW9331)
	Dark Gray (SW2035)

**Installation Diagram**



- 1 Interior Handle
- 2 Set Screw
- 3 Screw
- 4 Lock Nut
- 5 Decorative covers
- 6 Spacer
- 7 Gasket
- 8 Installing Hole
- 9 Door Sash
- 10 Exterior Handle

**Note:** The inner handle is installed indoors and fixed with set screws.

- Instruction:**
1. When installing the handle, prevent the non-metal parts from knocking, scratching and other similar conditions those are difficult to repair;
  2. Handles with electroplating, spraying, solid wood, ABS, PVC are not suitable for using directly under sunlight;
  3. Due to the effect of photography and printing, there are differences between physical objects and pictures. Please refer to physical objects.

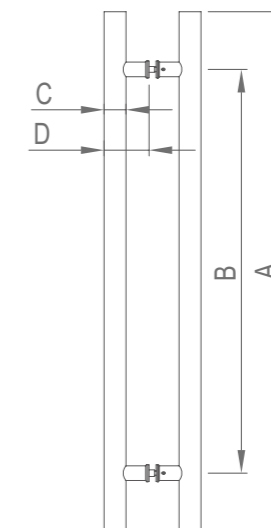


**KLS101** Handle

**Technical Parameters**

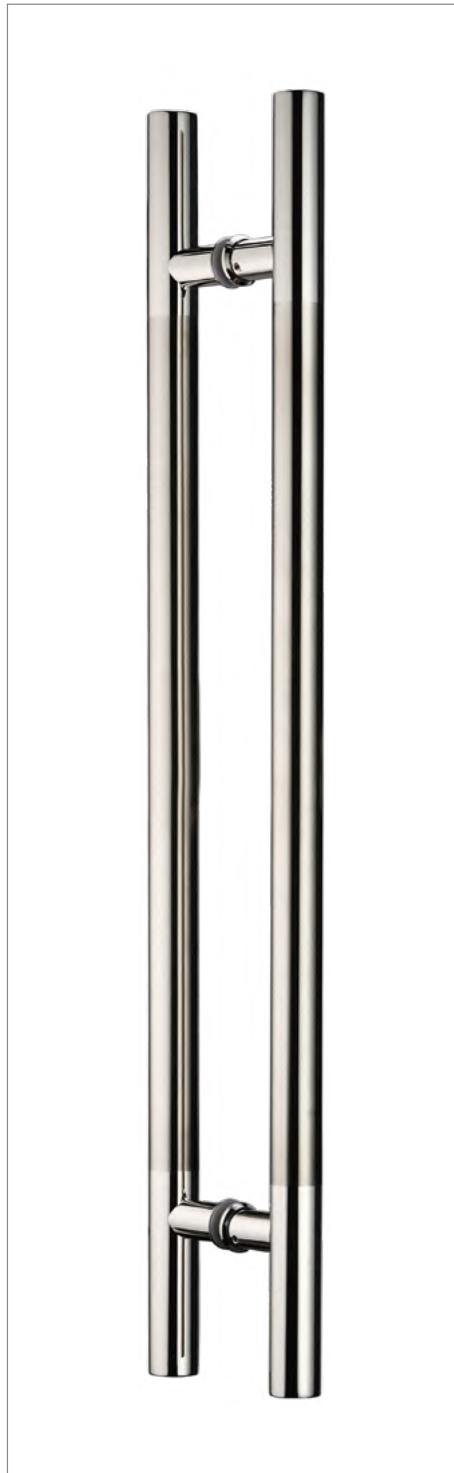
- Main Material: S.S 304
- Surface Finish: Satin
- Drilling Size:  $\Phi 14$ mm(Glass door),  $\Phi 10$ mm(wooden door, framed door),
- Applicable Door Type: Wooden door, glass door, framed door
- Applicable Door Thickness: 10~50mm  
[When the door thickness is more than 50mm, it needs to change the coupling screw.]

**Dimensions**



**Specification**

Code	KLS10108	KLS10110	KLS10112	KLS10115	KLS10118	KLS10120
A(mm)	800	1000	1200	1500	1800	2000
B(mm)	600	800	1000	1300	1500	1700
C(mm)	$\Phi 38 \times 0.8$	$\Phi 38 \times 0.8$	$\Phi 38 \times 0.8$	$\Phi 38 \times 0.8$	$\Phi 38 \times 0.8$	$\Phi 38 \times 0.8$
D(mm)	80	80	80	80	80	80

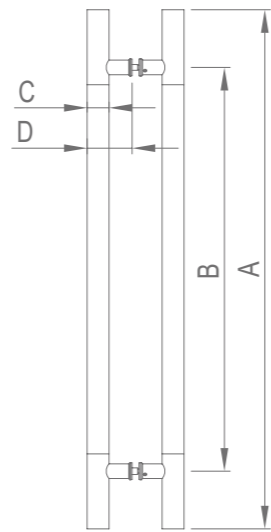


## KLS102 Handle

### Technical Parameters

Main Material: S.S 304  
 Surface Finish: Mirro + Satin  
 [Ends are mirror + middle is satin]  
 Drilling Size:  $\Phi 14$ mm(Glass door),  
 $\Phi 10$ mm(wooden door, framed door),  
 Applicable Door Type: Wooden door, glass door, framed door and so on  
 Applicable Door Thickness: 10~50mm  
 [When the door thickness is more than 50mm, it needs to change the coupling screw.]

### Dimensions



### Specification

Code	KLS10206	KLS10208	KLS10210	KLS10212	KLS10215	KLS10218	KLS10220	KLS10222	KLS10224	KLS10226	KLS10228	KLS10230
A(mm)	600	800	1000	1200	1500	1800	2000	2200	2400	2600	2800	3000
B(mm)	400	600	800	1000	1300	1600	1600	1800	1800	1800	2000	2200
C(mm)	$\Phi 32 \times 0.8$	$\Phi 32 \times 0.8$	$\Phi 38 \times 0.8$	$\Phi 38 \times 0.8$	$\Phi 38 \times 0.8$	$\Phi 38 \times 0.8$	$\Phi 38 \times 0.8$	$\Phi 38 \times 0.8$	$\Phi 38 \times 0.8$	$\Phi 38 \times 0.8$	$\Phi 38 \times 1.5$	$\Phi 38 \times 1.5$
D(mm)	72	72	80	80	80	80	80	80	80	80	80	80

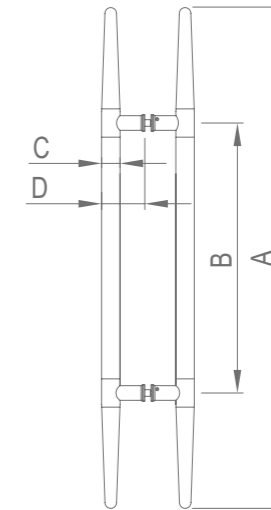


## KLS167 Handle

### Technical Parameters

Main Material: S.S 304  
 Surface Finish: Mirro + Satin  
 [Supporting area is mirror + other area is satin]  
 Drilling Size:  $\Phi 14$ mm(Glass door),  
 $\Phi 10$ mm(wooden door, framed door),  
 Applicable Door Type: Wooden door, glass door, framed door and so on  
 Applicable Door Thickness: 10~50mm  
 [When the door thickness is more than 50mm, it needs to change the coupling screw.]

### Dimensions



### Specification

Code	KLS16708	KLS16710	KLS16712
A(mm)	800	1000	1200
B(mm)	400	500	600
C(mm)	$\Phi 32 \times 1.2$	$\Phi 38 \times 1.2$	$\Phi 38 \times 1.2$
D(mm)	72	80	80

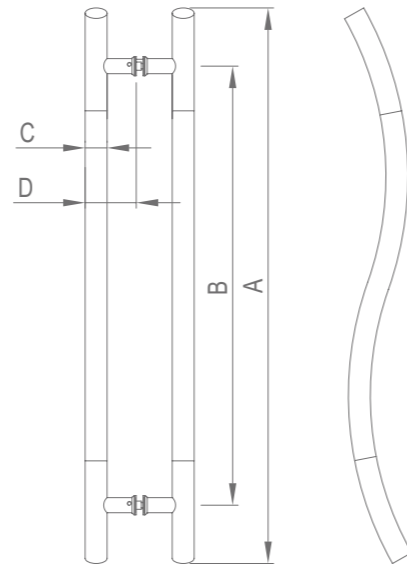


## KLS169 Handle

### Technical Parameters

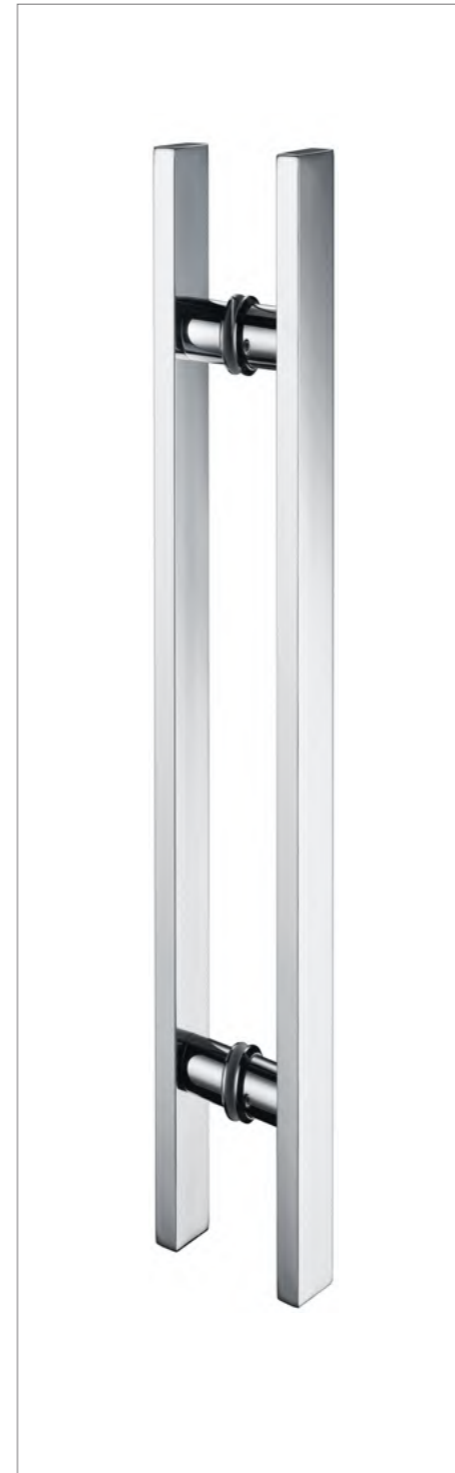
Main Material: S.S 304  
 Surface Finish: Mirro + Satin  
 [Ends are mirror + middle is satin]  
 Drilling Size:  $\Phi 14\text{mm}$ (Glass door),  
 $\Phi 10\text{mm}$ (wooden door, framed door),  
 Applicable Door Type: Wooden door, glass door, framed door and so on  
 Applicable Door Thickness: 10~50mm  
 [When the door thickness is more than 50mm, it needs to change the coupling screw.]

### Dimensions



### Specification

Code	KLS16908
A(mm)	800
B(mm)	500
C(mm)	$\Phi 38 \times 1.2$
D(mm)	80

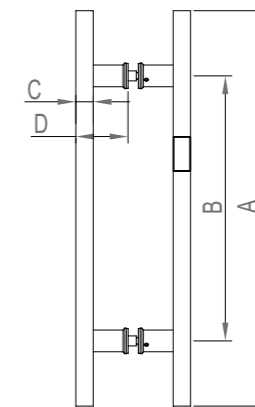


## KLS171 Handle

### Technical Parameters

Main Material: S.S 304  
 Surface Finish: Satin  
 Drilling Size:  $\Phi 14\text{mm}$ (Glass door),  
 $\Phi 10\text{mm}$ (wooden door, framed door),  
 Applicable Door Type: Wooden door, glass door, framed door and so on  
 Applicable Door Thickness: 10~50mm  
 [When the door thickness is more than 50mm, it needs to change the coupling screw.]

### Dimensions



### Specification

Code	KLS17108	KLS17110	KLS17112	KLS17115
A(mm)	800	1000	1200	1500
B(mm)	600	800	1000	1300
C(mm)	$20 \times 40 \times 0.8$	$20 \times 40 \times 0.8$	$20 \times 40 \times 0.8$	$20 \times 40 \times 0.8$
D(mm)	60	60	60	60



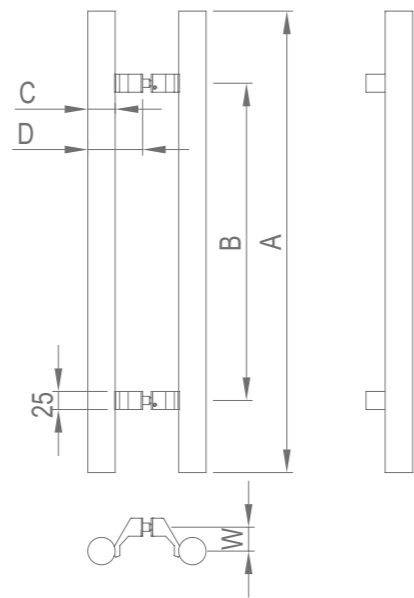


## KLS201 Handle

### Technical Parameters

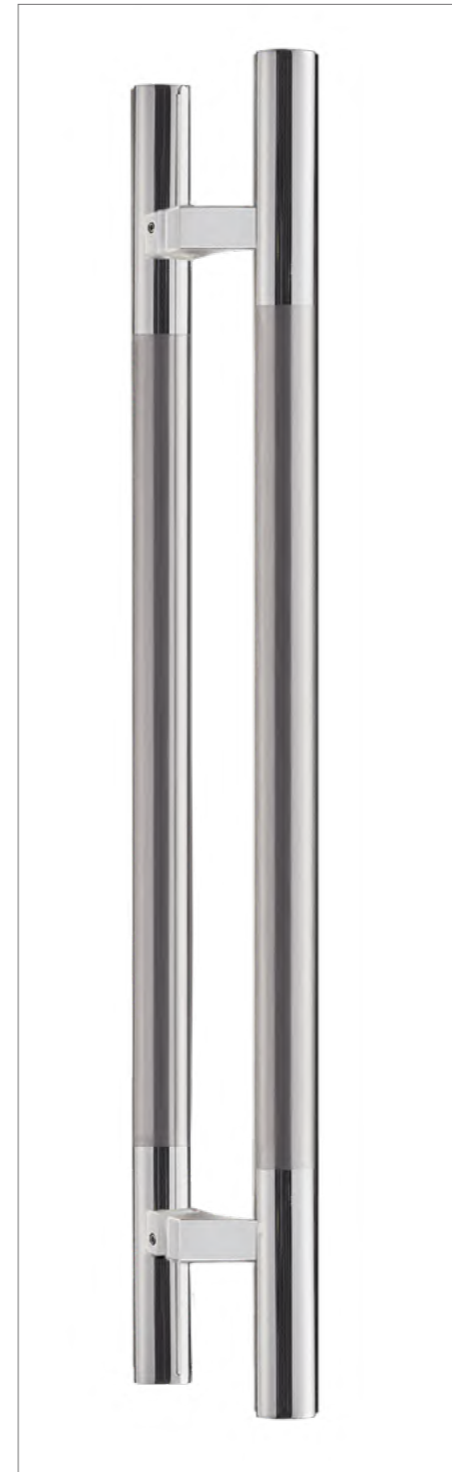
Main Material: S.S 304  
 Surface Finish: Satin  
 Drilling Size:  $\Phi 14\text{mm}$ (Glass door),  
 $\Phi 10\text{mm}$ (wooden door, framed door),  
 Applicable Door Type: Wooden door, glass door, framed door and so on  
 Applicable Door Thickness: 10~50mm  
 [When the door thickness is more than 50mm, it needs to change the coupling screw.]  
 Supporter is the precision casting S.S 304

### Dimensions



### Specification

Code	KLS20108	KLS20110	KLS20112	KLS20115	KLS20118	KLS20120
A(mm)	800	1000	1200	1500	1800	2000
B(mm)	600	800	1000	1300	1500	1700
C(mm)	$\Phi 32 \times 1.2$	$\Phi 38 \times 1.2$	$\Phi 38 \times 1.2$	$\Phi 38 \times 1.2$	$\Phi 38 \times 1.2$	$\Phi 38 \times 1.2$
D(mm)	70	76	76	76	76	76
W(mm)	33	33	33	33	33	33

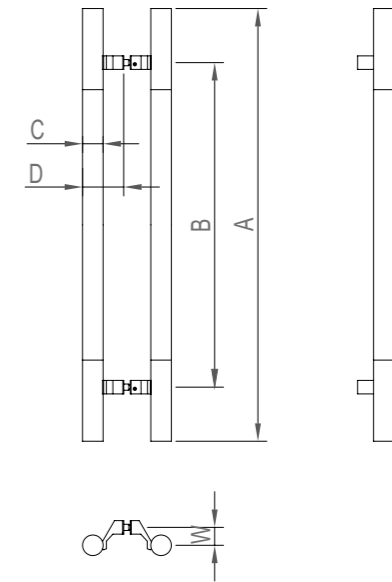


## KLS203 Handle

### Technical Parameters

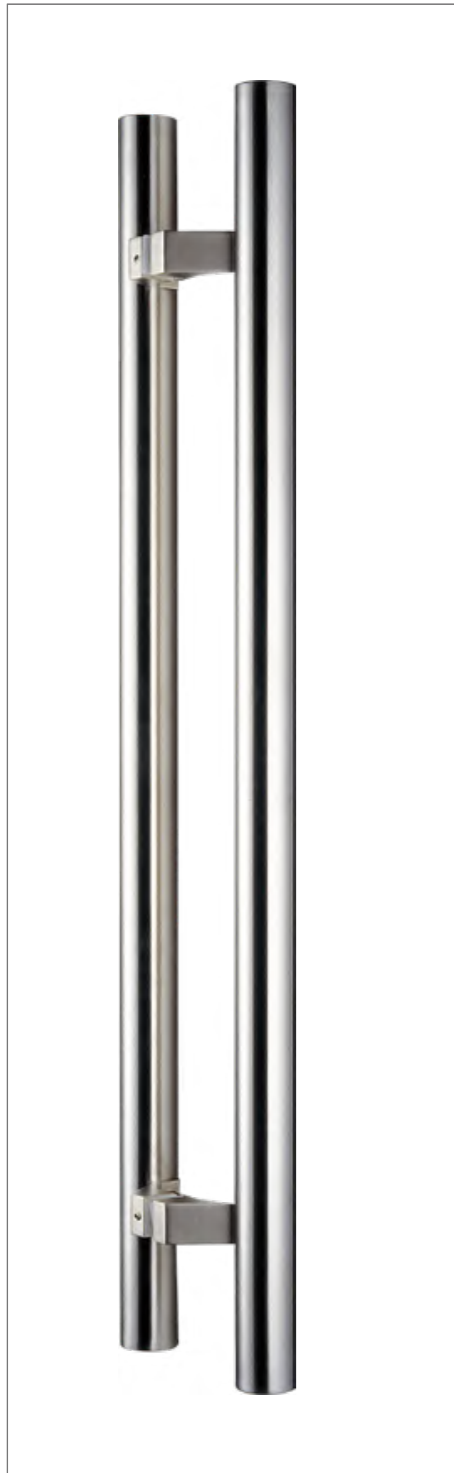
Main Material: S.S 304  
 Surface Finish: Mirror + Satin  
 [Ends are mirror + middle is satin]  
 Drilling Size:  $\Phi 14\text{mm}$ (Glass door),  
 $\Phi 10\text{mm}$ (wooden door, framed door),  
 Applicable Door Type: Wooden door, glass door, framed door and so on  
 Applicable Door Thickness: 10~50mm  
 [When the door thickness is more than 50mm, it needs to change the coupling screw.]  
 The support body is made of 304 stainless steel plate

### Dimensions



### Specification

Code	KLS20310	KLS20312	KLS20315	KLS20318	KLS20320	KLS20322	KLS20324	KLS20326
A(mm)	1000	1200	1500	1800	2000	2200	2400	2600
B(mm)	800	1000	1300	1600	1600	1800	1800	1800
C(mm)	$\Phi 38 \times 0.8$	$\Phi 38 \times 0.8$	$\Phi 38 \times 0.8$	$\Phi 38 \times 0.8$	$\Phi 38 \times 0.8$	$\Phi 38 \times 0.8$	$\Phi 38 \times 0.8$	$\Phi 38 \times 0.8$
D(mm)	76	76	76	76	76	76	76	76
W(mm)	33	33	33	33	33	33	33	33

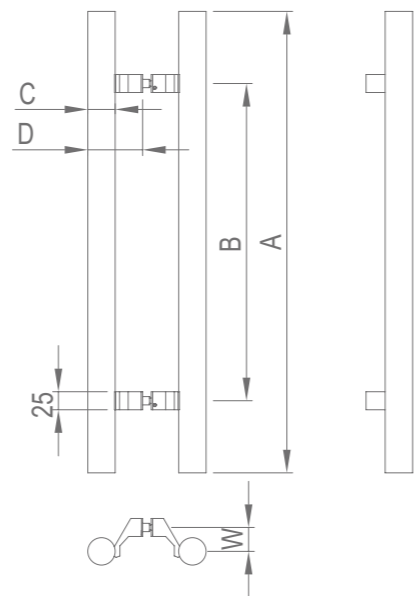


## KLS204 Handle

### Technical Parameters

Main Material: S.S 304  
 Surface Finish: Satin  
 Drilling Size:  $\Phi 14\text{mm}$ (Glass door),  
 $\Phi 10\text{mm}$ (wooden door, framed door),  
 Applicable Door Type: Wooden door, glass door, framed door and so on  
 Applicable Door Thickness: 10~50mm  
 [When the door thickness is more than 50mm, it needs to change the coupling screw.]  
 The support body is made of 304 stainless steel plate

### Dimensions



### Specification

Code	KLS20408	KLS20410	KLS20412	KLS20415	KLS20418	KLS20420
A(mm)	800	1000	1200	1500	1800	2000
B(mm)	600	800	1000	1300	1500	1700
C(mm)	$\Phi 38^*0.8$	$\Phi 38^*0.8$	$\Phi 38^*0.8$	$\Phi 38^*0.8$	$\Phi 38^*0.8$	$\Phi 38^*0.8$
D(mm)	76	76	76	76	76	76
W(mm)	33	33	33	33	33	33

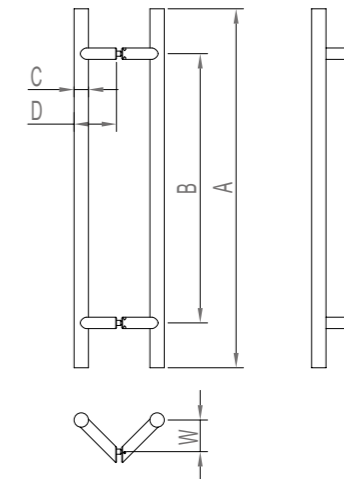


## KLS205 Handle

### Technical Parameters

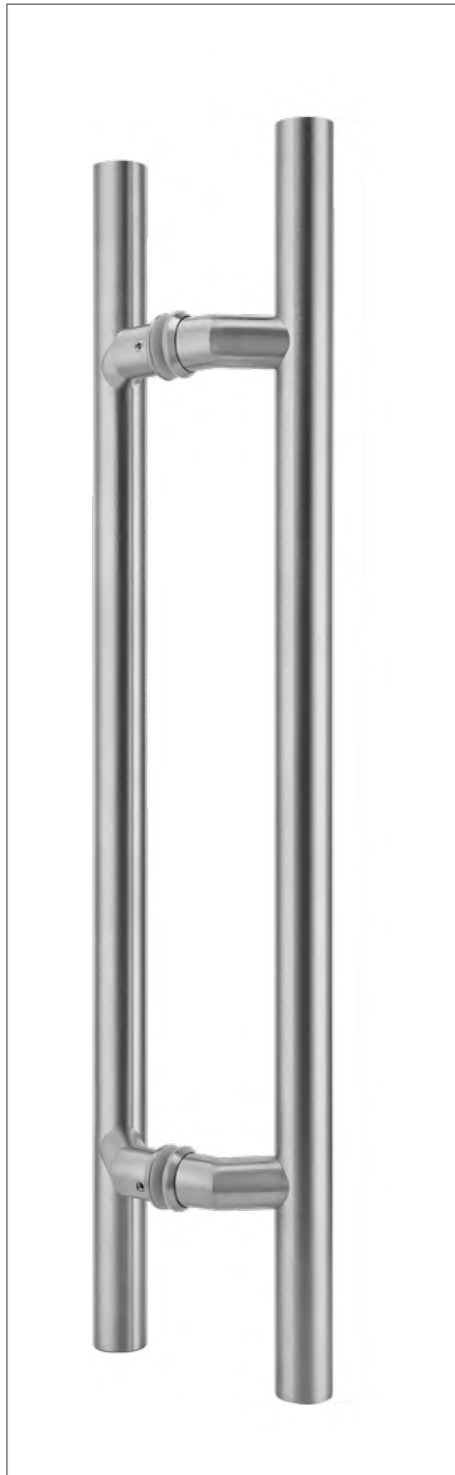
Main Material: S.S 304  
 Surface Finish: Satin  
 Drilling Size:  $\Phi 14\text{mm}$ (Glass door),  
 $\Phi 10\text{mm}$ (wooden door, framed door),  
 Applicable Door Type: Wooden door, glass door, framed door and so on  
 Applicable Door Thickness: 10~50mm  
 [When the door thickness is more than 50mm, it needs to change the coupling screw.]

### Dimensions



### Specification

Code	KLS20506	KLS20508	KLS20510
A(mm)	600	800	1000
B(mm)	400	600	800
C(mm)	$\Phi 32^*1.2$	$\Phi 32^*1.2$	$\Phi 32^*1.2$
D(mm)	94.5	94.5	94.5
W(mm)	70.5	70.5	70.5

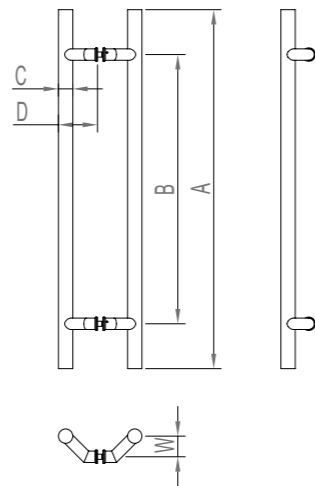


## KLS206 Handle

### Technical Parameters

Main Material: S.S 304  
 Surface Finish: Satin  
 Drilling Size:  $\Phi$ 14mm(Glass door),  
 $\Phi$ 10mm(wooden door, framed door),  
 Applicable Door Type: Wooden door, glass door, framed door and so on  
 Applicable Door Thickness: 10-50mm  
 [When the door thickness is more than 50mm, it needs to change the coupling screw.]

### Dimensions



### Specification

Code	KLS20606	KLS20608	KLS20610
A(mm)	600	800	1000
B(mm)	400	600	800
C(mm)	$\Phi$ 32*1.2	$\Phi$ 32*1.2	$\Phi$ 32*1.2
D(mm)	87	87	87
W(mm)	46	46	46

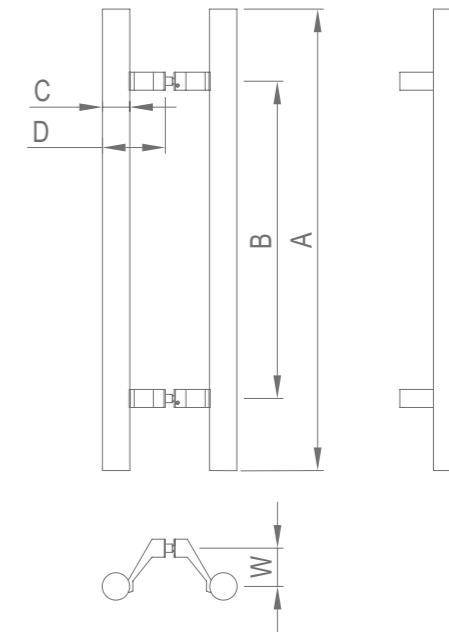


## KLS207 Handle

### Technical Parameters

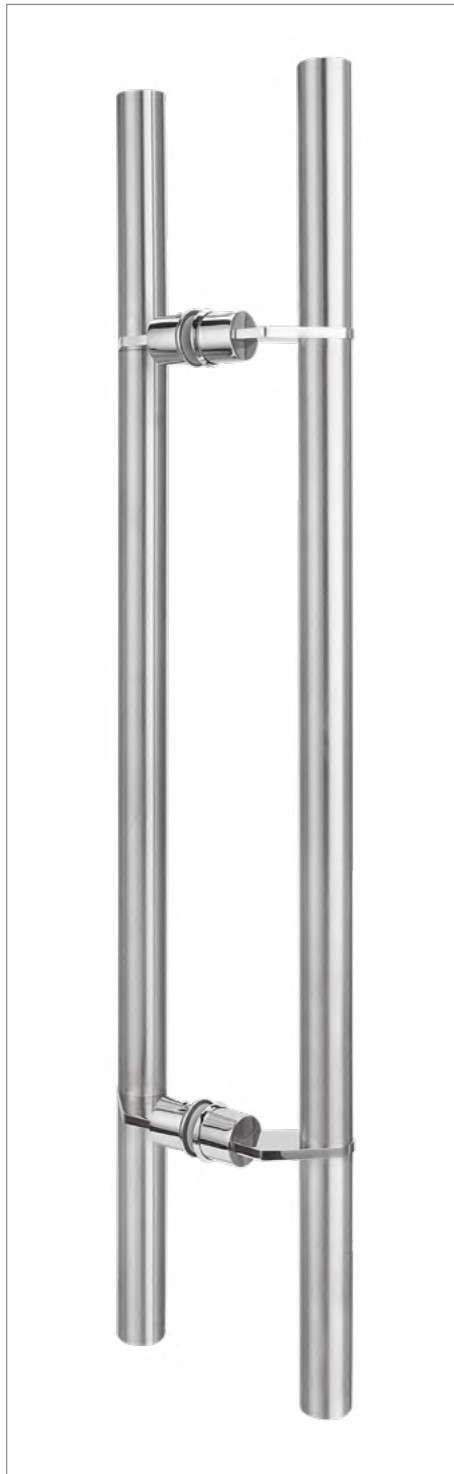
Main Material: S.S 304  
 Surface Finish: Satin  
 Drilling Size:  $\Phi$ 14mm(Glass door),  
 $\Phi$ 10mm(wooden door, framed door),  
 Applicable Door Type: Wooden door, glass door, framed door and so on  
 Applicable Door Thickness: 10-50mm  
 [When the door thickness is more than 50mm, it needs to change the coupling screw.]  
 Supporter is the press forming S.S 304

### Dimensions



### Specification

Code	KLS20710	KLS20715	KLS20720	KLS20724	KLS20726
A(mm)	1000	1500	2000	2400	2600
B(mm)	800	1300	1700	2200	2400
C(mm)	$\Phi$ 38*1.2	$\Phi$ 38*1.2	$\Phi$ 38*1.2	$\Phi$ 51*1.2	$\Phi$ 51*1.2
D(mm)	88	88	88	100	100
W(mm)	53	53	53	53	53

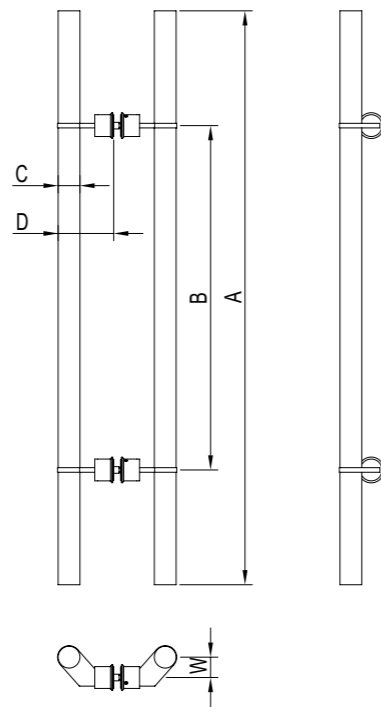


## KLS208 Handle

### Technical Parameters

Main Material: S.S 304  
 Surface Finish: Mirror (supporter) / Satin  
 Drilling Size:  $\Phi$ 14mm(Glass door),  
 $\Phi$ 10mm(wooden door, framed door),  
 Applicable Door Type: Wooden door, glass door, framed door and so on  
 Applicable Door Thickness: 10~50mm  
 [When the door thickness is more than 50mm, it needs to change the coupling screw.]

### Dimensions



### Specification

Code	KLS20810	KLS20812	KLS20815	KLS20818
A(mm)	1000	1200	1500	1800
B(mm)	600	800	1000	1200
C(mm)	$\Phi$ 38*0.8	$\Phi$ 38*0.8	$\Phi$ 38*0.8	$\Phi$ 38*0.8
D(mm)	97	97	97	97
W(mm)	35.5	35.5	35.5	35.5

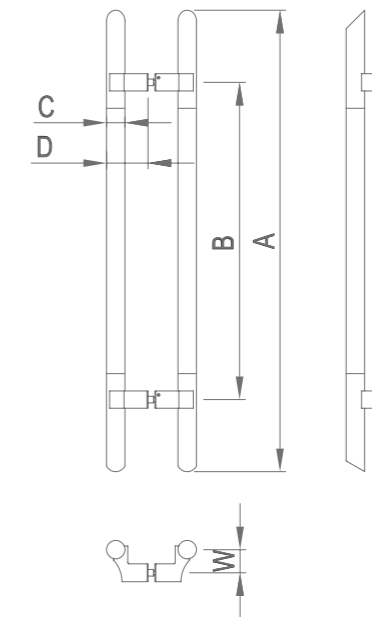


## KLS233 Handle

### Technical Parameters

Main Material: S.S 304  
 Surface Finish: Mirro + Satin  
 [Ends are mirror + middle is satin]  
 Drilling Size:  $\Phi$ 14mm(Glass door),  
 $\Phi$ 10mm(wooden door, framed door),  
 Applicable Door Type: Wooden door, glass door, framed door and so on  
 Applicable Door Thickness: 10~50mm  
 [When the door thickness is more than 50mm, it needs to change the coupling screw.]  
 Supporter is the precision casting S.S 304

### Dimensions



### Specification

Code	KLS23308	KLS23310	KLS23312	KLS23315	KLS23318	KLS23320
A(mm)	800	1000	1200	1500	1800	2000
B(mm)	600	800	1000	1300	1500	1700
C(mm)	$\Phi$ 32*0.8	$\Phi$ 32*0.8	$\Phi$ 38*0.8	$\Phi$ 38*0.8	$\Phi$ 38*0.8	$\Phi$ 38*0.8
D(mm)	67	67	74	74	74	74
W(mm)	40	40	40	40	40	40

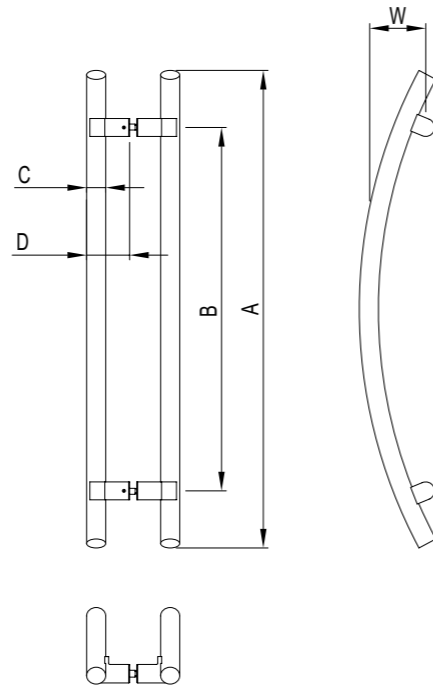


## KLS235 Handle

### Technical Parameters

Main Material: S.S 304  
 Surface Finish: Satin  
 Drilling Size:  $\Phi 14\text{mm}$ (Glass door),  
 $\Phi 10\text{mm}$ (wooden door, framed door),  
 Applicable Door Type: Wooden door, glass door, framed door and so on  
 Applicable Door Thickness: 10~50mm  
 [When the door thickness is more than 50mm, it needs to change the coupling screw.]  
 Supporter is the precision casting S.S 304

### Dimensions



### Specification

Code	KLS23508
A(mm)	800
B(mm)	600
C(mm)	$\Phi 32 \times 1.2$
D(mm)	72
W(mm)	84

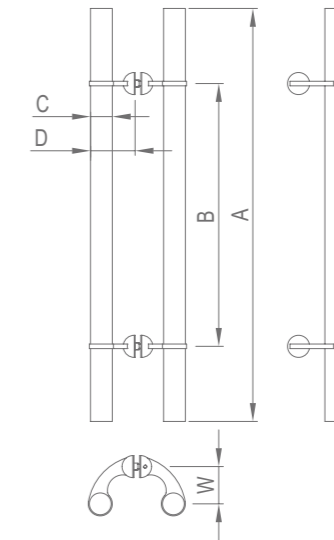


## KLS236 Handle

### Technical Parameters

Main Material: S.S 304  
 Surface Finish: Mirror (supporter) / Satin  
 Drilling Size:  $\Phi 14\text{mm}$ (Glass door),  
 $\Phi 10\text{mm}$ (wooden door, framed door),  
 Applicable Door Type: Wooden door, glass door, framed door and so on  
 Applicable Door Thickness: 10~50mm  
 [When the door thickness is more than 50mm, it needs to change the coupling screw.]  
 Supporter is the precision casting S.S 304

### Dimensions



### Specification

Code	KLS23612	KLS23615	KLS23618
A(mm)	1200	1500	1800
B(mm)	800	1100	1400
C(mm)	$\Phi 38 \times 0.8$	$\Phi 38 \times 0.8$	$\Phi 38 \times 0.8$
D(mm)	78	78	78
W(mm)	65	65	65

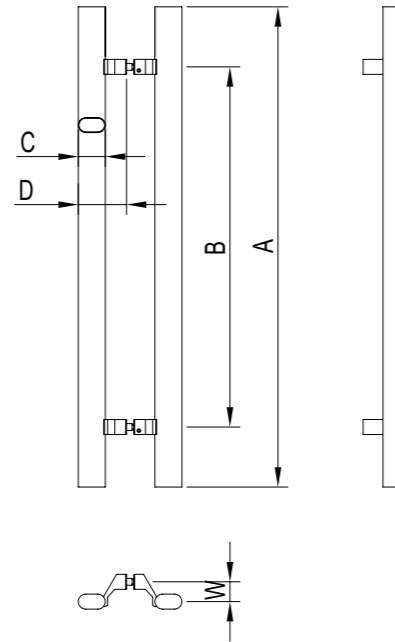


## KLS239 Handle

### Technical Parameters

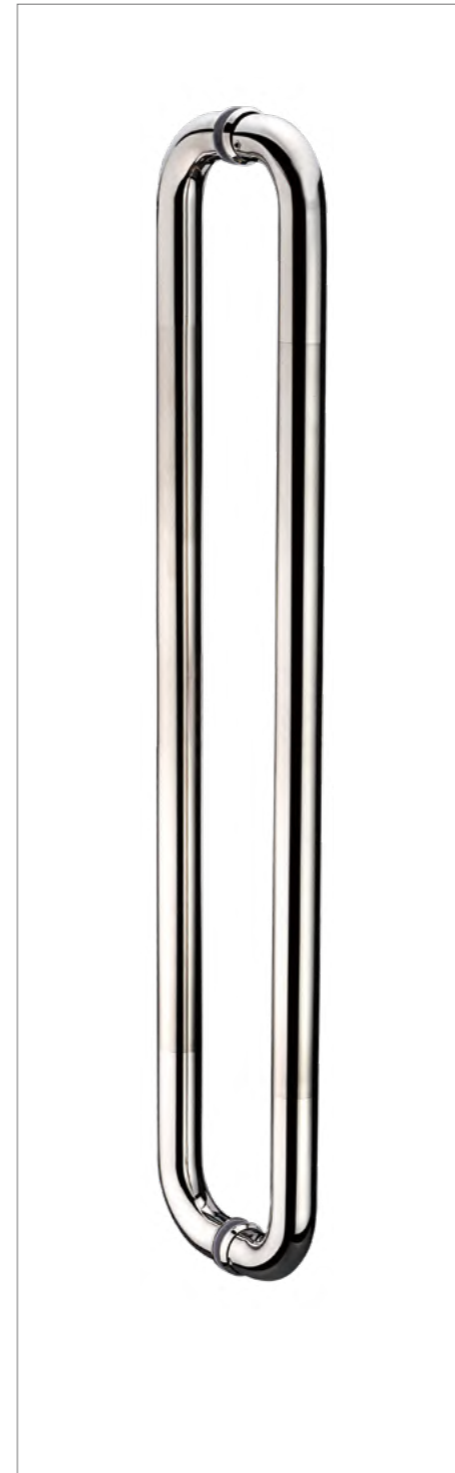
Main Material: S.S 304  
 Surface Finish: Satin  
 Applicable Door Type: Wooden door, glass door, framed door and so on  
 Applicable Door Thickness: 10~50mm  
 [When the door thickness is more than 50mm, it needs to change the coupling screw.]  
 Supporter is the press forming S.S 304  
 Drilling Size:  $\Phi 14$ mm(Glass door)  
 $\Phi 10$ mm(wooden door, framed door)

### Dimensions



### Specification

Code	KLS23908	KLS23910	KLS23912	KLS23915
A(mm)	800	1000	1200	1500
B(mm)	600	800	1000	1300
C(mm)	45*25*1.2	45*25*1.2	45*25*1.2	45*25*1.2
D(mm)	80	80	80	80
W(mm)	33	33	33	33

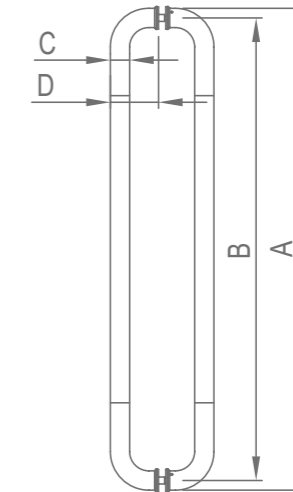


## KLS401 Handle

### Technical Parameters

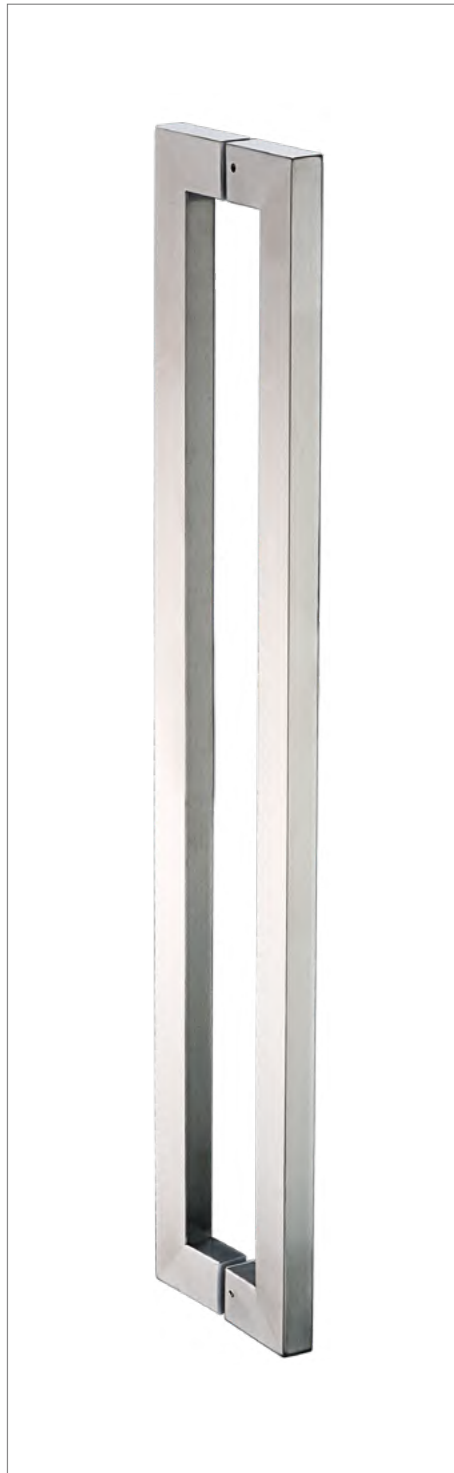
Main Material: S.S 304  
 Surface Finish: Mirror + Satin  
 [Ends are mirror + middle is satin]  
 Drilling Size:  $\Phi 14$ mm(Glass door),  
 $\Phi 10$ mm(wooden door, framed door),  
 Applicable Door Type: Wooden door, glass door, framed door and so on  
 Applicable Door Thickness: 10~50mm  
 [When the door thickness is more than 50mm, it needs to change the coupling screw.]

### Dimensions



### Specification

Code	KLS40108	KLS40110	KLS40112	KLS40115	KLS40118	KLS40120
A(mm)	800	1000	1200	1500	1800	2000
B(mm)	768	962	1162	1462	1762	1962
C(mm)	$\Phi 32 \times 0.8$	$\Phi 38 \times 0.8$	$\Phi 38 \times 0.8$	$\Phi 38 \times 0.8$	$\Phi 38 \times 1.2$	$\Phi 38 \times 1.2$
D(mm)	82	97	97	97	97	97

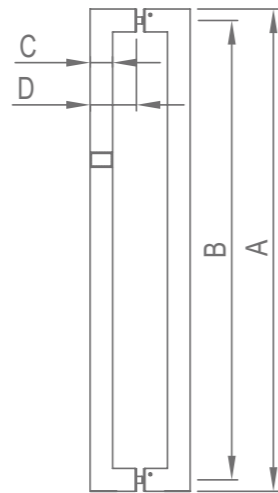


## KLS407 Handle

### Technical Parameters

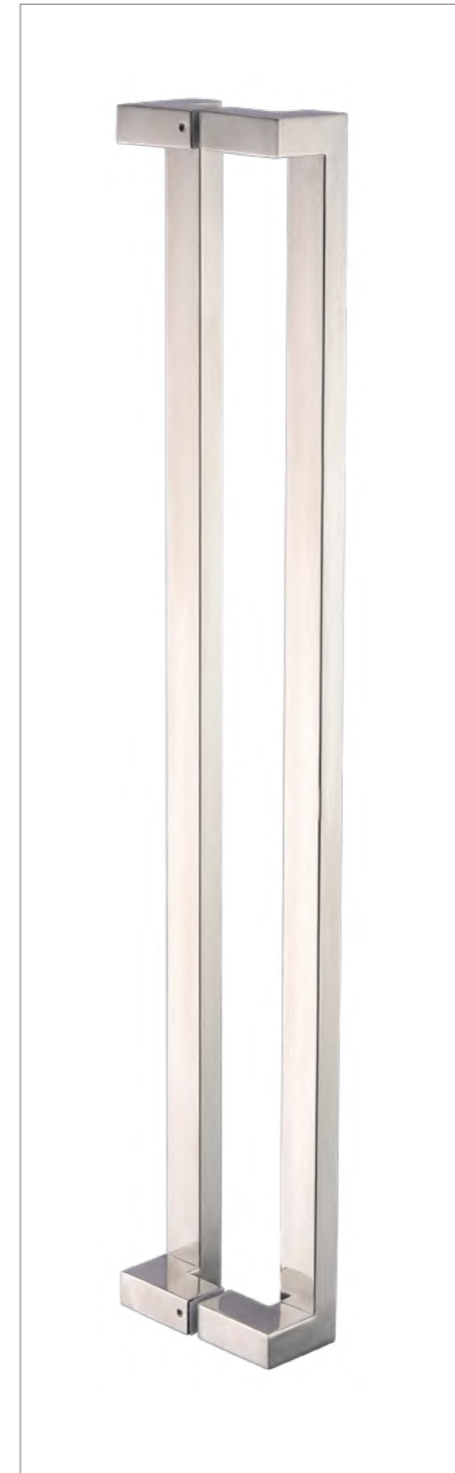
Main Material: S.S 304  
 Surface Finish: Satin  
 Drilling Size:  $\Phi$ 14mm(Glass door),  
 $\Phi$ 10mm(wooden door, framed door)  
 Applicable Door Type: Wooden door, glass door, framed door and so on  
 Applicable Door Thickness: 10~50mm  
 [When the door thickness is more than 50mm, it needs to change the coupling screw.]

### Dimensions



### Specification

Code	KLS40706A	KLS40708	KLS40710	KLS40712	KLS40715	KLS40718	KLS40720	KLS40722	KLS40724	KLS40726	KLS40728	KLS40730
A(mm)	600	800	1000	1200	1500	1800	2000	2200	2400	2600	2800	3000
B(mm)	562	762	962	1162	1462	1762	1950	2150	2350	2550	2750	2950
C(mm)	38*25*0.8	38*25*0.8	38*25*0.8	38*25*0.8	38*25*0.8	38*25*1.2	50*25*1.2	50*25*1.2	50*25*1.5	50*25*1.5	50*25*2.0	50*25*2.0
D(mm)	78	78	78	78	78	78	90	90	90	90	90	90

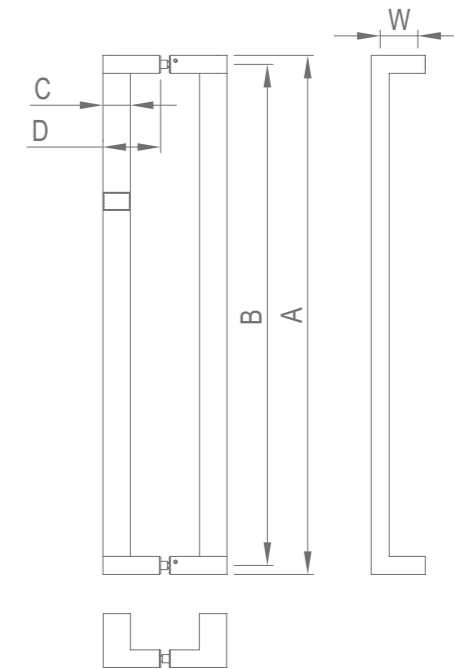


## KLS409 Handle

### Technical Parameters

Main Material: S.S 304  
 Surface Finish: Satin  
 Drilling Size:  $\Phi$ 14mm(Glass door),  
 $\Phi$ 10mm(wooden door, framed door),  
 Applicable Door Type: Wooden door, glass door, framed door and so on  
 Applicable Door Thickness: 10~50mm  
 [When the door thickness is more than 50mm, it needs to change the coupling screw.]

### Dimensions



### Specification

Code	KLS40908	KLS40910	KLS40912	KLS40915	KLS40918	KLS40920	KLS40922	KLS40924	KLS40926	KLS40928	KLS40930
A(mm)	800	1000	1200	1500	1800	2000	2200	2400	2600	2800	3000
B(mm)	775	975	1175	1475	1775	1975	2175	2375	2575	2775	2975
C(mm)	38*25*0.8	38*25*0.8	38*25*0.8	38*25*0.8	38*25*1.2	38*25*1.2	50*25*1.2	50*25*1.5	50*25*1.5	50*25*2.0	50*25*2.0
D(mm)	78	78	78	78	78	78	90	90	90	90	90
W(mm)	43.5	43.5	43.5	43.5	43.5	43.5	47.5	47.5	47.5	47.5	47.5

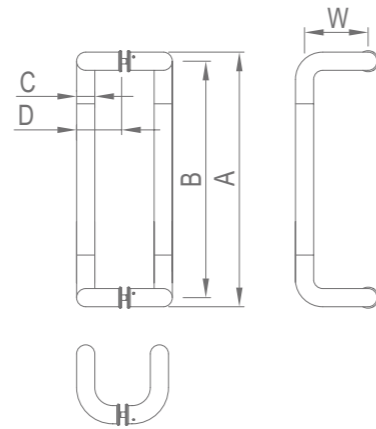


## KLS413 Handle

### Technical Parameters

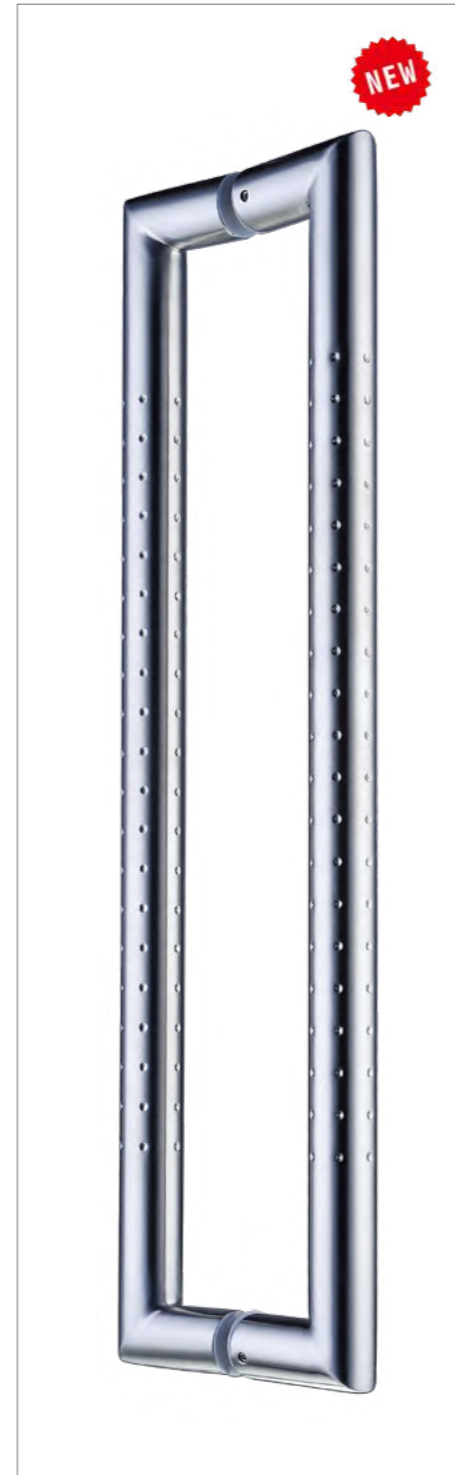
Main Material: S.S 304  
 Surface Finish: Mirror+ Satin  
 [Ends are mirror + middle is satin]  
 Drilling Size:  $\Phi 14$ mm(Glass door),  
 $\Phi 10$ mm(wooden door, framed door),  
 Applicable Door Type: Wooden door, glass door, framed door and so on  
 Applicable Door Thickness: 10-50mm  
 [When the door thickness is more than 50mm, it needs to change the coupling screw.]

### Dimensions



### Specification

Code	KLS41308	KLS41310	KLS41312
A(mm)	800	1000	1200
B(mm)	762	962	1162
C(mm)	$\Phi 38 \times 1.2$	$\Phi 38 \times 1.2$	$\Phi 38 \times 1.2$
D(mm)	90	90	90
W(mm)	122	122	122

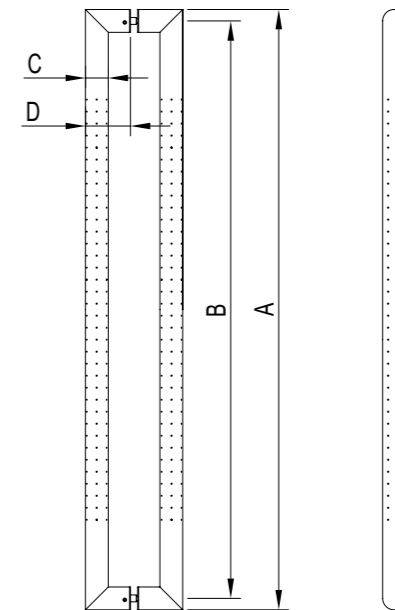


## KLS443 Handle

### Technical Parameters

Main Material: S.S 304  
 Surface Finish: Satin+Star hole  
 Applicable Door Type: Wooden door, glass door, framed door and so on  
 Applicable Door Thickness: 10-50mm  
 [When the door thickness is more than 50mm, it needs to change the coupling screw.]  
 Drilling Size:  $\Phi 14$ mm(Glass door),  
 $\Phi 10$ mm(wooden door, framed door),

### Dimensions



### Specification

Code	KLS44310	KLS44312
A(mm)	1000	1200
B(mm)	962	1162
C(mm)	$\Phi 38 \times 1.2$	$\Phi 38 \times 1.2$
D(mm)	75	75



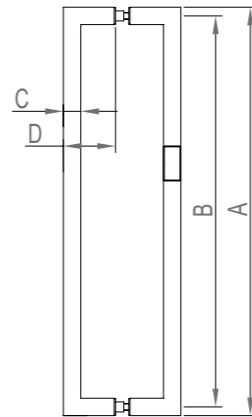


## KLS454 Handle

### Technical Parameters

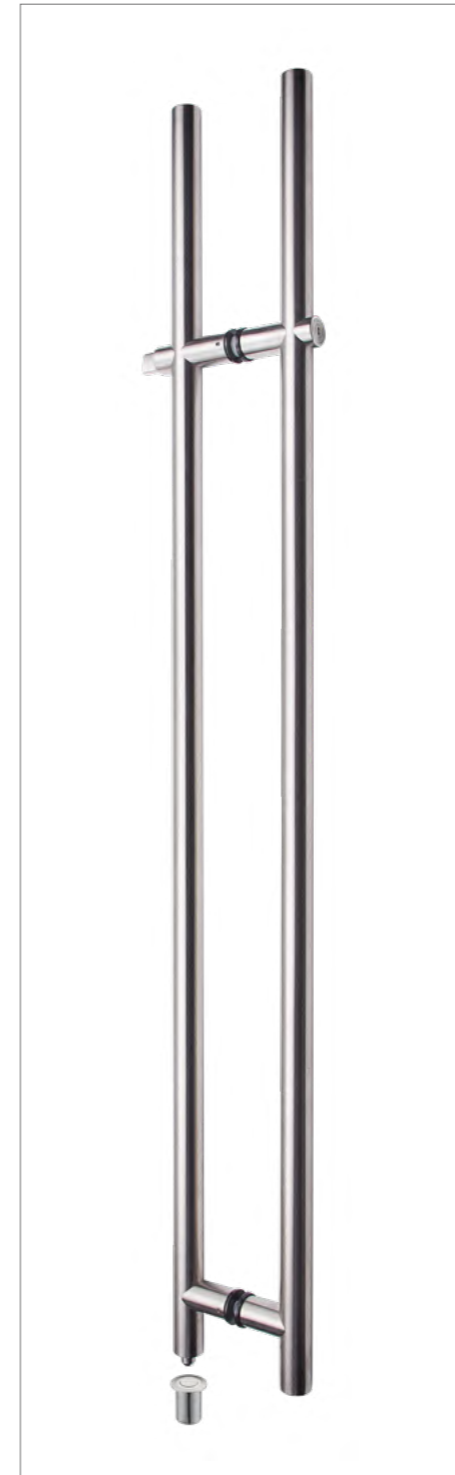
Main Material: S.S 304  
 Surface Finish: Satin  
 Drilling Size:  $\Phi 14$ mm(Glass door),  
 $\Phi 10$ mm(wooden door, framed door),  
 Applicable Door Type: Wooden door, glass door, framed door and so on  
 Applicable Door Thickness: 10~50mm  
 [When the door thickness is more than 50mm, it needs to change the coupling screw.]

### Dimensions



### Specification

Code	KLS45408	KLS45410	KLS45412	KLS45415
A(mm)	800	1000	1200	1500
B(mm)	780	980	1180	1480
C(mm)	20*40*0.8	20*40*0.8	20*40*0.8	20*40*0.8
D(mm)	60	60	60	60

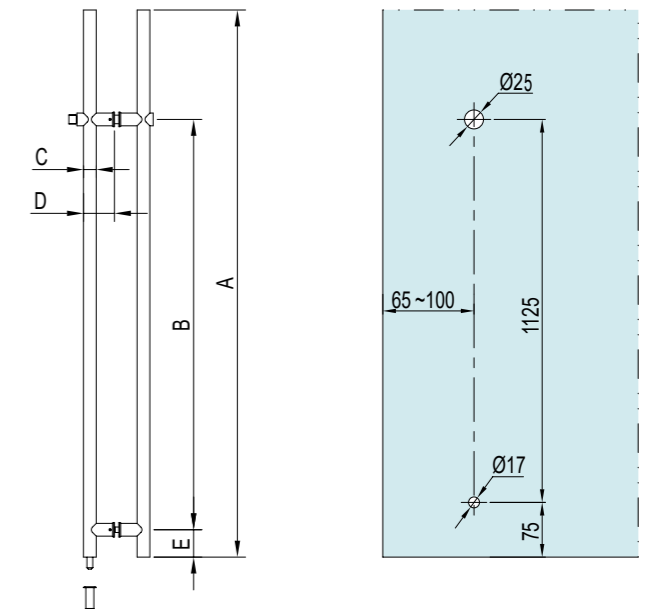


## KLS911 Handle with lock

### Technical Parameters

Main Material: S.S 304  
 Surface Finish: Satin  
 Drilling Size:  $\Phi 25$ mm(upper end),  $\Phi 17$ mm(lower end)  
 Applicable Door Type: glass door  
 Applicable Door Thickness: 10~20mm  
 It uses the rotary knob to lock and open inside and uses key to lock and open outside.  
 When using it inside room, you should press the rotary knob at first before turning the rotary knob.

### Dimensions



### Specification

Code	KLS91115
A(mm)	1500
B(mm)	1125
C(mm)	$\Phi 35 \times 1.0$
D(mm)	83
E(mm)	75

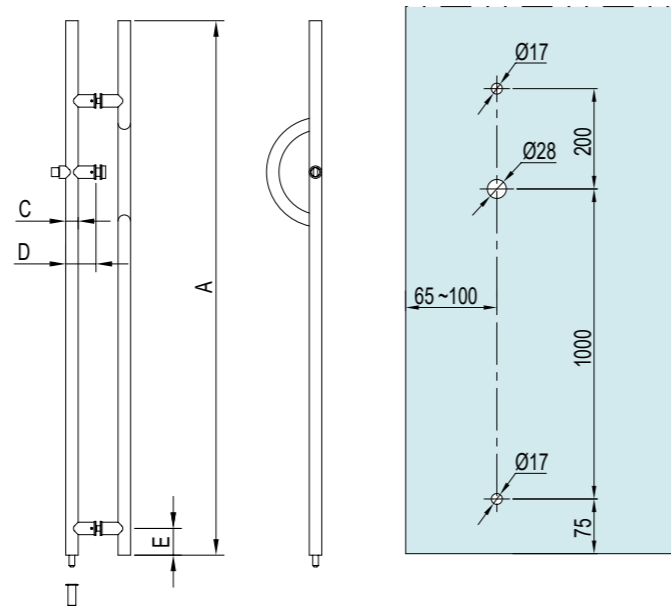


## KLS912L/R Handle with lock

### Technical Parameters

Main Material: S.S 304  
 Surface Finish: Satin  
 Drilling Size:  $\Phi 17$ mm(upper end),  $\Phi 28$ mm(mid end),  $\Phi 17$ mm(lower end)  
 Applicable Door Type: glass door  
 Applicable Door Thickness: 10~12mm  
 It uses the rotary knob to lock and open inside and uses key to lock and open outside.  
 When using it inside room, you should press the rotary knob at first before turning the rotary knob.

### Dimensions



### Specification

Code	KLS91215L/R
A(mm)	1500
B(mm)	—
C(mm)	$\Phi 35 \times 1.0$
D(mm)	83
E(mm)	75

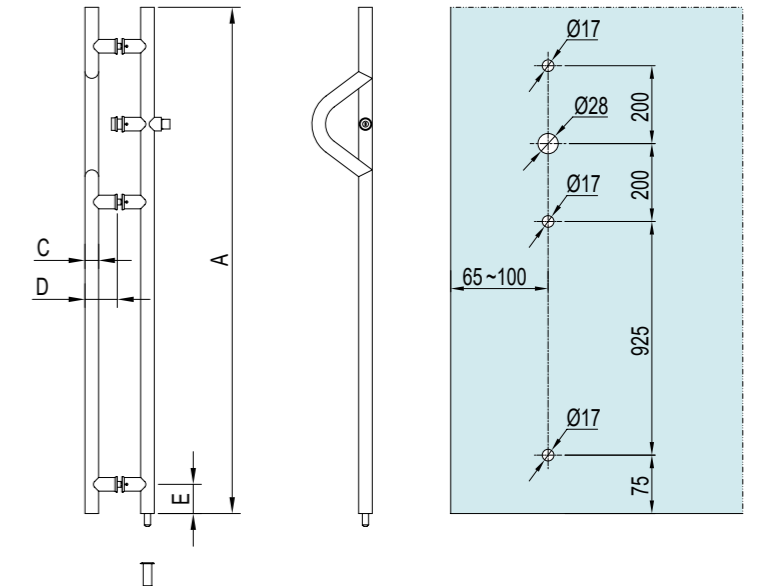


## KLS913L/R Handle with lock

### Technical Parameters

Main Material: S.S 304  
 Surface Finish: Satin  
 Drilling Size: Refer to the glass opening diagram below  
 Applicable Door Type: glass door  
 Applicable Door Thickness: 10~12mm  
 It uses the rotary knob to lock and open inside and uses key to lock and open outside.  
 When using it inside room, you should press the rotary knob at first before turning the rotary knob.

### Dimensions



### Specification

Code	KLS91315L/R
A(mm)	1500
B(mm)	—
C(mm)	$\Phi 35 \times 1.0$
D(mm)	83
E(mm)	75

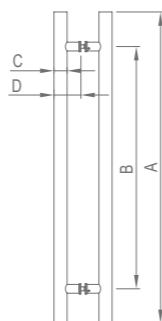


## KLS102 Handle

### Technical Parameters

Main Material: S.S 304  
 Surface Finish: Mirror / Satin  
 Drilling Size:  $\Phi 14\text{mm}$ (Glass door),  
 $\Phi 10\text{mm}$ (wooden door, framed door),  
 Applicable Door Type: Wooden door, glass door, framed door and so on  
 Applicable Door Thickness: 10~50mm  
 [When the door thickness is more than 50mm, it needs to change the coupling screw.]

### Dimensions



### Specification

Code	KLS10203	KLS10204	KLS10205
A(mm)	350	455	500
B(mm)	250	305	350
C(mm)	$\Phi 25 \times 0.8$	$\Phi 25 \times 0.8$	$\Phi 25 \times 0.8$
D(mm)	65	65	65

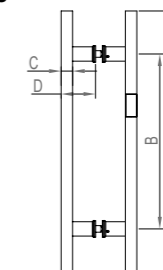


## KLS171 Handle

### Technical Parameters

Main Material: S.S 304  
 Surface Finish: Mirror / Satin  
 Drilling Size:  $\Phi 14\text{mm}$ (Glass door),  
 $\Phi 10\text{mm}$ (wooden door, framed door),  
 Applicable Door Type: Wooden door, glass door, framed door and so on  
 Applicable Door Thickness: 10~50mm  
 [When the door thickness is more than 50mm, it needs to change the coupling screw.]

### Dimensions



### Specification

Code	KLS17103	KLS17104	KLS17105	KLS17106
A(mm)	350	455	500	600
B(mm)	250	305	350	450
C(mm)	$20 \times 40 \times 0.8$	$20 \times 40 \times 0.8$	$20 \times 40 \times 0.8$	$20 \times 40 \times 0.8$
D(mm)	60	60	60	60

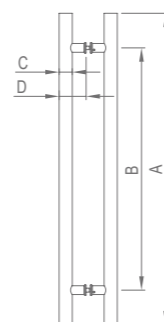


## KLS102H Handle

### Technical Parameters

Main Material: S.S 304.  
 Surface finish: Mirror / Satin  
 Drilling size:  $\Phi 14\text{mm}$  (Glass door)  
 $\Phi 10\text{mm}$  (Framed door, wooden door)  
 Applicable door type: Glass door, Framed door, wooden door and so on  
 Applicable door thickness: 10-50mm  
 [When the door thickness is more than 50mm, it needs to change the coupling screw.]

### Dimensions



### Specification

Code	KLS102H450	KLS102H600
A(mm)	450	600
B(mm)	300	450
C(mm)	$\Phi 25 \times 0.8$	$\Phi 25 \times 0.8$
D(mm)	65	65

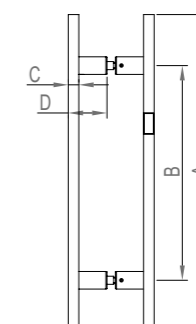


## KLS174 Handle

### Technical Parameters

Main Material: S.S 304.  
 Surface finish: Mirror / Satin  
 Drilling size:  $\Phi 14\text{mm}$  (Glass door)  
 $\Phi 10\text{mm}$  (Framed door, wooden door)  
 Applicable door type: Glass door, Framed door, wooden door and so on  
 Applicable door thickness: 10-50mm  
 [When the door thickness is more than 50mm, it needs to change the coupling screw.]

### Dimensions



### Specification

Code	KLS17403	KLS17404	KLS17405	KLS17406
A(mm)	350	455	500	600
B(mm)	250	305	350	450
C(mm)	$15 \times 30 \times 0.8$	$15 \times 30 \times 0.8$	$15 \times 30 \times 0.8$	$15 \times 30 \times 0.8$
D(mm)	55	55	55	55

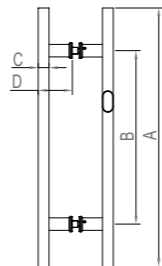


## KLS176 Handle

### Technical Parameters

Main Material: S.S 304  
 Surface Finish: Mirror / Satin  
 Drilling Size:  $\Phi 14\text{mm}$ (Glass door),  
 $\Phi 10\text{mm}$ (wooden door, framed door),  
 Applicable Door Type: Wooden door, glass door, framed door and so on  
 Applicable Door Thickness: 10~50mm  
 [When the door thickness is more than 50mm, it needs to change the coupling screw.]

### Dimensions



### Specification

Code	KLS17603	KLS17604	KLS17605	KLS17606
A(mm)	350	455	500	600
B(mm)	250	305	350	450
C(mm)	19*38*0.8	19*38*0.8	19*38*0.8	19*38*0.8
D(mm)	60	60	60	60

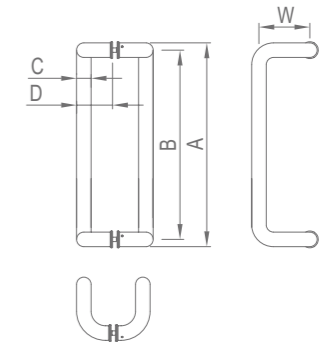


## KLS413 Handle

### Technical Parameters

Main Material: S.S 304  
 Surface Finish: Mirror / Satin  
 Drilling Size:  $\Phi 14\text{mm}$ (Glass door),  
 $\Phi 10\text{mm}$ (wooden door, framed door),  
 Applicable Door Type: Wooden door, glass door, framed door and so on  
 Applicable Door Thickness: 10~50mm  
 [When the door thickness is more than 50mm, it needs to change the coupling screw.]

### Specification



### Specification

Code	KLS41302	KLS41303	KLS41304	KLS41306
A(mm)	275	330	482	632
B(mm)	250	305	450	600
C(mm)	$\Phi 25 \times 0.8$	$\Phi 25 \times 0.8$	$\Phi 32 \times 0.8$	$\Phi 32 \times 0.8$
D(mm)	70	70	80	80
W(mm)	86	86	95	95

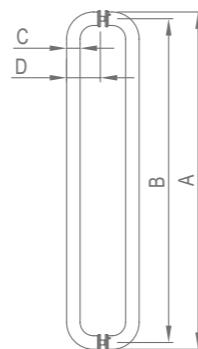


## KLS401 Handle

### Technical Parameters

Main Material: S.S 304  
 Surface Finish: Mirror / Satin  
 Drilling Size:  $\Phi 14\text{mm}$ (Glass door),  
 $\Phi 10\text{mm}$ (wooden door, framed door),  
 Applicable Door Type: Wooden door, glass door, framed door and so on  
 Applicable Door Thickness: 10~50mm  
 [When the door thickness is more than 50mm, it needs to change the coupling screw.]

### Specification



### Specification

Code	KLS40102	KLS40103	KLS40104	KLS40106
A(mm)	275	330	482	632
B(mm)	250	305	450	600
C(mm)	$\Phi 25 \times 0.8$	$\Phi 25 \times 0.8$	$\Phi 32 \times 0.8$	$\Phi 32 \times 0.8$
D(mm)	72	72	82	82

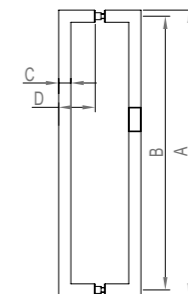


## KLS454 Handle

### Technical Parameters

Main Material: S.S 304  
 Surface Finish: Mirror / Satin  
 Drilling Size:  $\Phi 14\text{mm}$ (Glass door),  
 $\Phi 10\text{mm}$ (wooden door, framed door),  
 Applicable Door Type: Wooden door, glass door, framed door and so on  
 Applicable Door Thickness: 10~50mm  
 [When the door thickness is more than 50mm, it needs to change the coupling screw.]

### Specification



### Specification

Code	KLS45402	KLS45403	KLS45404	KLS45406
A(mm)	270	325	470	600
B(mm)	250	305	450	580
C(mm)	20*40*0.8	20*40*0.8	20*40*0.8	20*40*0.8
D(mm)	60	60	60	60

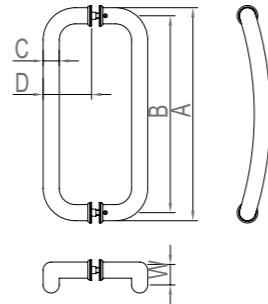


## KLS459 Handle

### Technical Parameters

Main Material: S.S 304  
 Surface Finish: Mirror / Satin  
 Drilling Size:  $\Phi 14\text{mm}$ (Glass door),  
 $\Phi 10\text{mm}$ (wooden door, framed door),  
 Applicable Door Type: Wooden door, glass door, framed door and so on  
 Applicable Door Thickness: 10~50mm  
 [When the door thickness is more than 50mm, it needs to change the coupling screw.]

### Dimensions



### Specification

Code	KLS45903
A(mm)	330
B(mm)	305
C(mm)	$\Phi 25 \times 0.8$
D(mm)	75
W(mm)	23

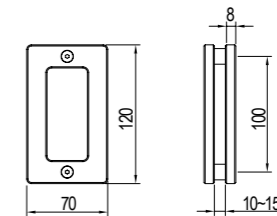


## KLS93102 Concealed handle

### Technical Parameters

Main Material: S.S 304  
 Surface Finish: Satin / Mirror  
 Drilling Size:  $\Phi 14\text{mm}$   
 Applicable Door Type: Glass sliding door  
 Applicable Door Thickness: 10~15mm

### Dimensions



### Specification

Code	KLS93102
A(mm)	120
B(mm)	100
C(mm)	—
D(mm)	8

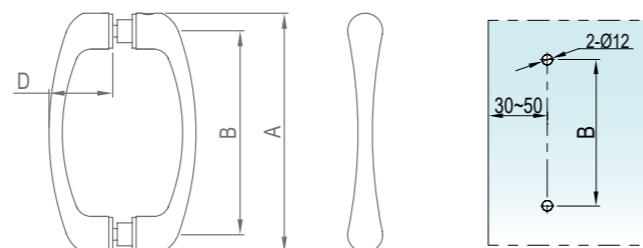


## KLS45001 Handle

### Technical Parameters

Main Material: S.S 304  
 Surface Finish: Satin / Mirror  
 Drilling Size:  $\Phi 12\text{mm}$   
 Applicable Door Type: Glass folding door, Glass sliding door  
 Applicable Door Thickness: 8~12mm

### Dimensions



### Specification

Code	KLS45001
A(mm)	125
B(mm)	105
C(mm)	—
D(mm)	30

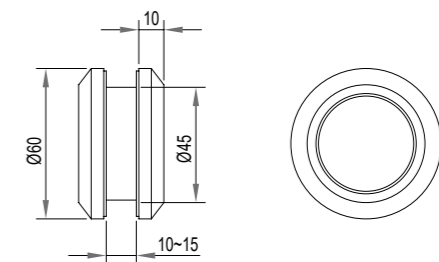


## KLS93104 Concealed handle

### Technical Parameters

Main Material: S.S 304  
 Surface Finish: Satin  
 Drilling Size:  $\Phi 47\text{mm}$   
 Applicable Door Type: Glass sliding door  
 Applicable Door Thickness: 10~15mm

### Dimensions



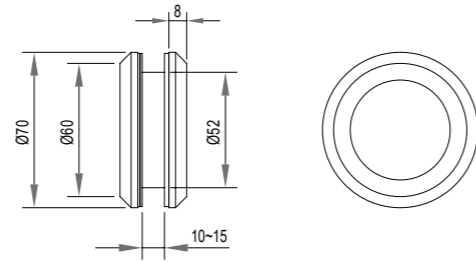


## KLS93105 Concealed handle

### Technical Parameters

Main Material: S.S 304  
 Surface Finish: Satin  
 Drilling Size:  $\phi 54\text{mm}$   
 Applicable Door Type: Glass sliding door  
 Applicable Door Thickness: 10~15mm

### Dimensions

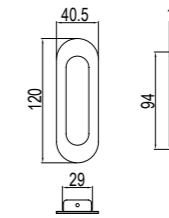


## KLS93504 Concealed handle

### Technical Parameters

Main Material: S.S 304  
 Surface Finish: Satin  
 Applicable Door Type: Wooden sliding door  
 Applicable minimum door thickness: 30mm  
 Slotting dimension: 94\*29\*11mm

### Dimensions

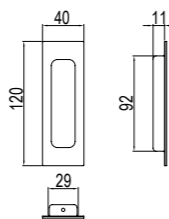


## KLS93502 Concealed handle

### Technical Parameters

Main Material: S.S 304  
 Surface Finish: Satin  
 Applicable Door Type: Wooden sliding door  
 Applicable minimum door thickness: 30mm  
 Slotting dimension: 94\*29\*11mm

### Dimensions

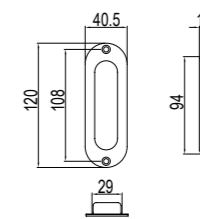


## KLS93505 Concealed handle

### Technical Parameters

Main Material: S.S 304  
 Surface Finish: Satin  
 Applicable Door Type: Wooden sliding door  
 Applicable minimum door thickness: 30mm  
 Slotting dimension: 94\*29\*11mm

### Dimensions



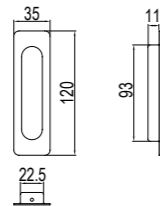


### KLS93509 Concealed handle

#### Technical Parameters

Main Material: S.S 304  
 Surface Finish: Electrophoresis black  
 Applicable Door Type: Wooden sliding door  
 Applicable minimum door thickness: 30mm  
 Slotting dimension: 94\*23\*11mm

#### Dimensions

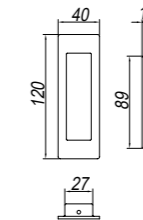


### KLS93523 Concealed handle

#### Technical Parameters

Main Material: Zinc alloy  
 Surface Finish: nickel brushed  
 Applicable Door Type: Wooden sliding door  
 Applicable Door Thickness: 30mm  
 Slotting dimension: 91\*29\*11mm

#### Dimensions

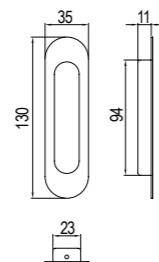


### KLS93510 Concealed handle

#### Technical Parameters

Main Material: S.S 304  
 Surface Finish: sprayed black (Color no.AD3000-4383236)  
 Applicable Door Type: Wooden sliding door  
 Slotting dimension: 94\*23\*11mm

#### Dimensions

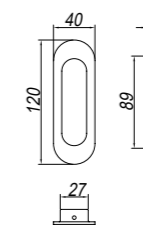


### KLS93524 Concealed handle

#### Technical Parameters

Main Material: Zinc alloy  
 Surface Finish: nickel brushed  
 Applicable Door Type: Wooden sliding door  
 Applicable Door Thickness: 30mm  
 Slotting dimension: 91\*29\*11mm

#### Dimensions



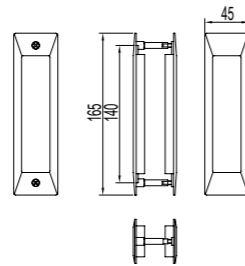


### KLS93525 Concealed handle

#### Technical Parameters

Main Material: Zinc alloy  
 Surface Finish: sprayed black, nickel brushed, green bronze  
 Applicable Door Type: Wooden sliding door  
 Applicable Door Thickness: 38~50mm  
 Slotting dimension: 150\*35mm

#### Dimensions

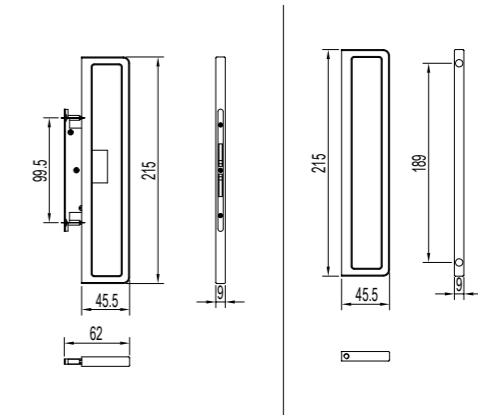


### KLS94404 sliding door handle lock

#### Technical Parameters

Main Material: Aluminum alloy  
 Surface Finish: sprayed black  
 Applicable Door Type: 16mm narrow frame sliding door  
 Locking type: Indoor side of handle, stir the switch to lock/ unlock  
 Installation location: the middle of the door sash

#### Dimensions

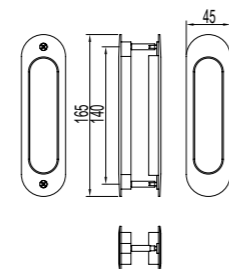


### KLS93526 Concealed handle

#### Technical Parameters

Main Material: Zinc alloy  
 Surface Finish: sprayed black, nickel brushed, green bronze  
 Applicable Door Type: Wooden sliding door  
 Applicable Door Thickness: 38~50mm  
 Slotting dimension: 150\*35mm

#### Dimensions

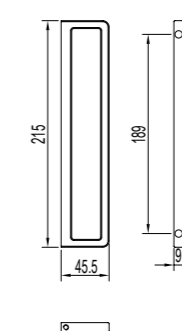


### KLS94504 sliding door handle

#### Technical Parameters

Main Material: Aluminum alloy  
 Surface Finish: sprayed black  
 Applicable Door Type: 16mm narrow frame sliding door  
 Installation location: the middle of the door sash

#### Dimensions



Door Handle

Door Handle



# 08

## Sliding door system



## Application scenarios



Residential



Hotel



Hospital



Office buildings



Shopping plaza



School



Conference hall



Business office



Others

.....

Others

**Solution**——  
Same direction  
linkage sliding door

## KYN6000LD

When an air of appreciation flows in the eyes  
Art gets its value  
The fashionable life has been around  
In the water running through my fingers  
Let us enjoy the life of art



### KYN6000LD

Main material	Zinc alloy+Aluminum alloy
Door weight	≤40Kg
Door thickness	35、45mm
Door width	460-570mm
Door height	≤2200mm
Height adjustment	±5mm
Buffer type	Two-way buffering
Linkage type	Same direction Linkage
Applicable door type	Aluminum narrow frame door
Matching hanging rail	KYN91010



**Solution——**  
**Double push-pull**  
**buffer door**

**KYN6001HD**

Things in the world  
 Can't find a kind of invariable beauty  
 In a rapidly changing world  
 Our understanding of life needs to be more in a  
 thinking attitude  
 To face everything  
 Appreciate the dynamic beauty of different  
 meanings



<b>KYN6001HD</b>	Main material	Zinc alloy+Aluminum alloy
	Door weight	≤80Kg
	Door thickness	45mm
	Door width	≥570mm
	Door height	≤2400mm
	Height adjustment	±3mm
	Buffer type	Two-way buffering
	Applicable door type	Aluminum narrow frame door
	Matching hanging rail	KYN91010/KYN91018



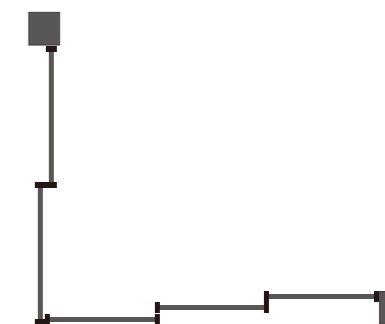
**Solution——**  
90-degree Angle  
sliding door

**KYN6002HD**

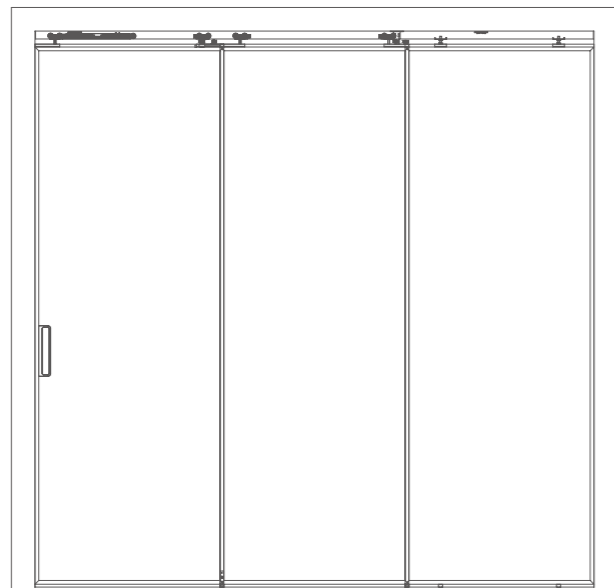
There's no excess of luxury  
Only stylish and delicate body  
The romantic atmosphere creates lasting beauty  
Enjoying every second of life as time goes by



<b>KYN6002HD</b>	Main material	Zinc alloy+Aluminum alloy
	Door weight	≤60Kg
	Door thickness	35、45mm
	Door width	≥570mm
	Door height	≤2600mm
	Height adjustment	±5mm
	Buffer type	Two-way buffering
	Linkage type	Buffer Sliding+Same direction Linkage
	Applicable door type	Aluminum narrow frame door
	Matching hanging rail	KYN91010



## Aluminum narrow frame sliding door accessories

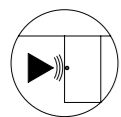


Sliding door

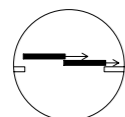
## Aluminum narrow frame linkage sliding door accessories KYN6000LD

Applicable door weigh 40Kg

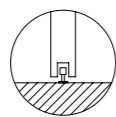
### Sliding door function diagram



Buffer linkage type



Synchronous isotropic



Door bottom guide

### Technical Parameters

Applicable door weight	≤40Kg	Buffer type	two-way buffering
Applicable door thickness	35、45mm	Linkage type	
Applicable door width	460-570mm	Same direction linkage sliding door	
Applicable door height	≤2200mm	Applicable door type	
Height adjustment	±5mm	Aluminum narrow frame door	

### Main Material

Hanging wheel main body	Zinc alloy
Adjustable mounting	Aluminum alloy
Door bottom guide	Stainless Steel + Nylon
Hanging rail	Aluminum alloy



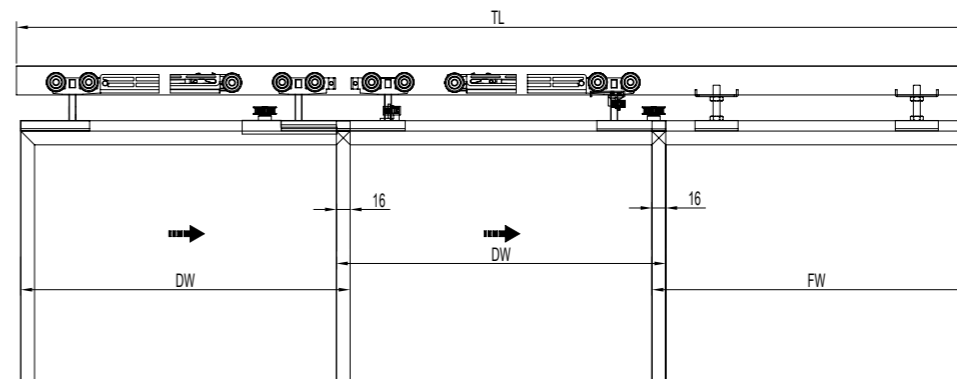
### Standard configuration

Model	Accessory name	Accessory Picture	Quantity	Accessory name	Accessory Picture	Quantity
KYN6000LD	Buffer hanging wheel		2	Hanging wheel		2
	Adjustable mounting		2	Linkage belt fixing clamp		1
	long guide wheel		1	External linkage guide		1
	Short guide wheel		1	Door bottom guide		1
	Buffer block		2	Belt		1
	Top mounting fixed clamp		1	Fixed sash accessories		1

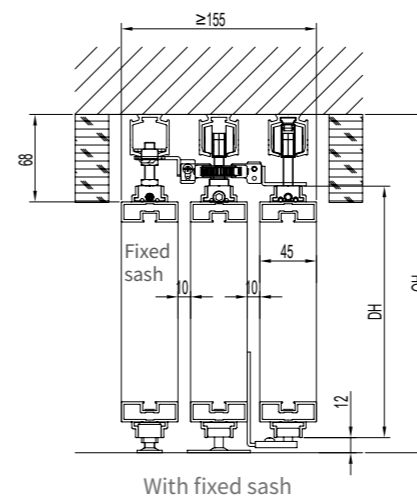
### Matching hanging rail

Model	Product Picture	Dimensions	Remark
KYN91010			The quantity is determined according to the configuration of the door sash The length is calculated according to the width of the door opening and needs to be ordered separately

### Installation diagram



### Installation Diagram for Hanging Rail and Hanging Wheel



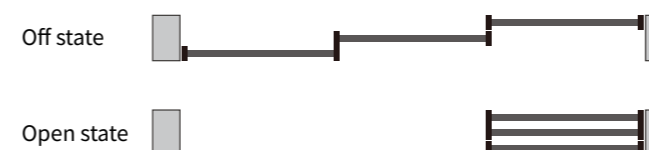
### Size explanation

Door sash width	DW
Door opening width	OW
Fixed sash width	FW
Door sash height	DH
Door opening height	OH
Hanging rail length	TL

### Calculation formula

DH=OH-69
DW=(OW+16*2)/3
TL=OW-5

### Common configuration type



Linkage door accessories: 1 set  
Hanging rail: 3roots

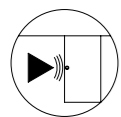
### Supporting products (Optional)

Sliding door handle or sliding door handle lock(KLS94504 or KLS94404):1set(refer P246 for details)  
Narrow frame door components(KYN97004):3sets(refer P341 for details)

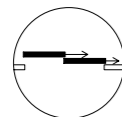
## Aluminum narrow frame linkage sliding door accessories KYN6121LD

Applicable maximum door weight 60Kg

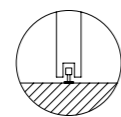
### Sliding door function diagram



Buffer linkage type



Synchronous isotropic



Door bottom guide

### Technical Parameters

Applicable door weight	≤60Kg
Applicable door width	≥600mm
Applicable door height	≤2600mm
Height adjustment	±5mm
Buffer type	Two-way buffering
Linkage type	belt drive
Applicable door type	Aluminum narrow frame door

### Main Material

Hanging wheel main body	Zinc alloy
Adjustable mounting	Aluminum alloy
Door bottom guide	Stainless Steel + Nylon
Hanging rail	Aluminum alloy



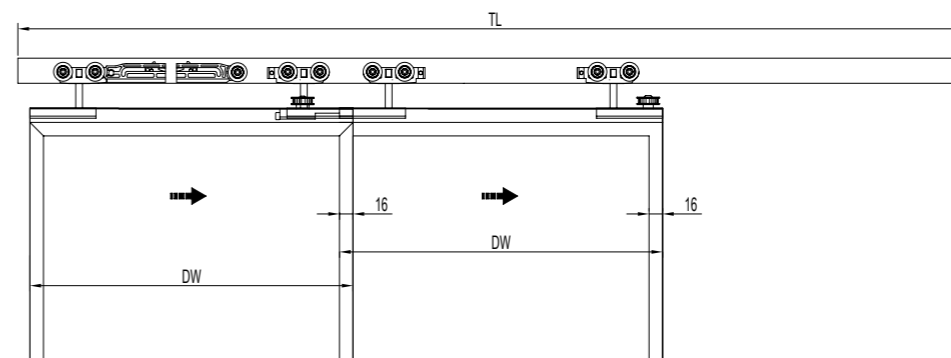
### Standard configuration

Model	Accessory name	Accessory Picture	Quantity	Accessory name	Accessory Picture	Quantity
KYN6121LD	Buffer hanging wheel		1	Hanging wheel		3
	Adjustable mounting		2	Linkage belt fixing clamp		1
	Long guide wheel		1	External linkage guide		1
	Short guide wheel		1	Door bottom guide		1
	Buffer block		2	Belt		1
	Top mounting fixed clamp		1			

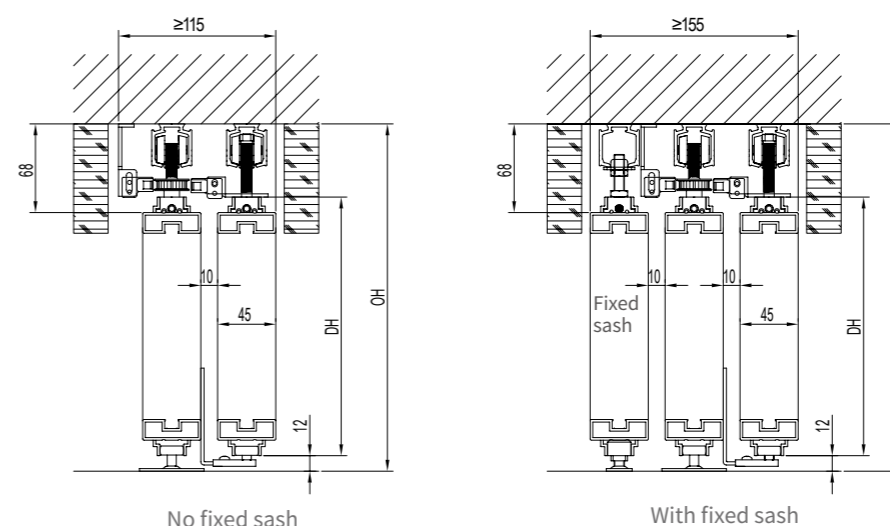
### Matching track

Model	Product Picture	Dimensions	Remark
KYN91010			The quantity is determined according to the configuration of the door sash The length is calculated according to the width of the door opening and needs to be ordered separately

### Installation diagram



### Installation Diagram for Hanging Rail and Hanging Wheel



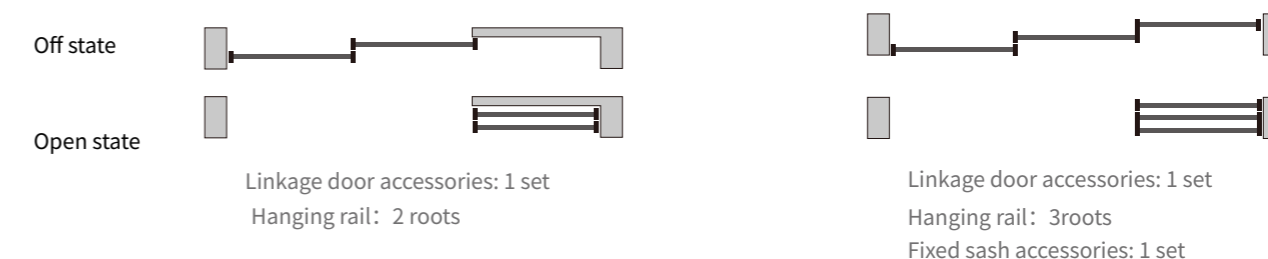
### Dimension definition

Door sash width	DW
Door opening width	OW
Fixed sash width	FW
Door sash height	DH
Door opening height	OH
Hanging rail length	TL

### Calculation formula

DH=OH-69  
 DW=(OW+16\*2)/3  
 TL=OW-5

### Common configuration type



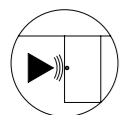
### Supporting products (Optional)

Sliding door handle or sliding door handle lock(KLS94504 or KLS94404):1 set(refer P246 for details)  
 Narrow frame door components(KYN97004):2 sets (without fixed sash) or 3 sets (with fixed sash) are determined according to the configuration (refer P341 for details)  
 Fixed sash accessories(KYN97005):1 set(refer P342 for details)

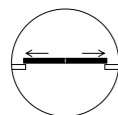
## Aluminum narrow frame linkage sliding door accessories KYN6122LD

Applicable maximum door weight 60Kg

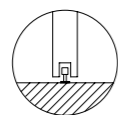
### Sliding door function diagram



Buffer linkage type



Synchronous reverse direction



Door bottom guide

### Technical Parameters

Applicable door weight	≤60Kg
Applicable door thickness	35、45mm
Applicable door width	≥570mm
Applicable door height	≤2600mm
Height adjustment	±5mm
Buffer type	Two-way buffering
Linkage type	Reverse linkage
Applicable door type	Aluminum narrow frame door

### Main Material

Hanging wheel main body	Zinc alloy
Adjustable mounting	Aluminum alloy
Door bottom guide	Stainless Steel + Nylon
Hanging rail	Aluminum alloy



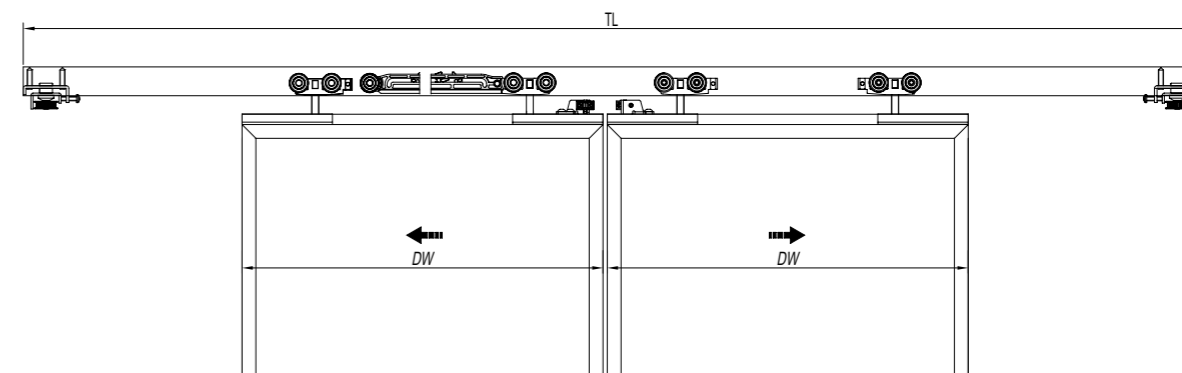
### Standard configuration

Model	Accessory name	Accessory Picture	Quantity	Accessory name	Accessory Picture	Quantity
KYN6122LD	Buffer hanging wheel		1	Hanging wheel		3
	Adjustable mounting		4	Linkage belt clamp		2
	Synchronous pulley fixing assembly		2	Door bottom guide		2
	Buffer block		2	Belt		2

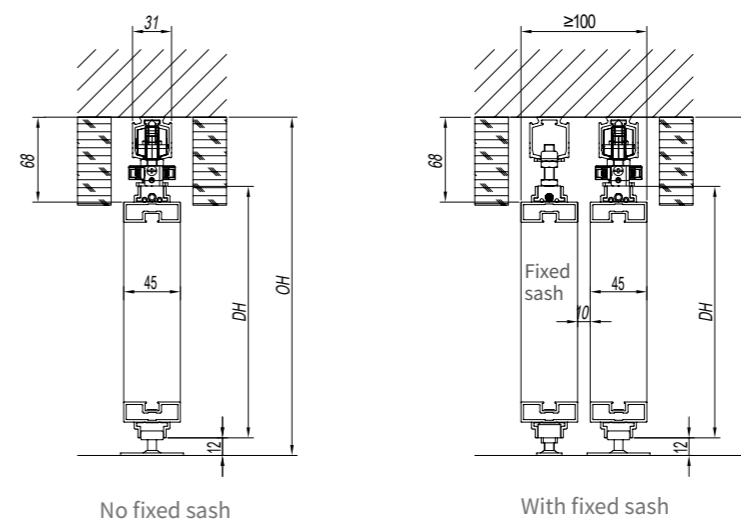
### Matching hanging rail

Model	Product Picture	Dimensions	Remark
KYN91010			The quantity is determined according to the configuration of the door sash The length is calculated according to the width of the door opening and needs to be ordered separately

### Installation diagram



### Installation Diagram for Hanging Rail and Hanging Wheel



### Dimension definition

Door sash width	DW
Door opening width	OW
Fixed sash width	FW
Door sash height	DH
Door opening height	OH
Hanging rail length	TL

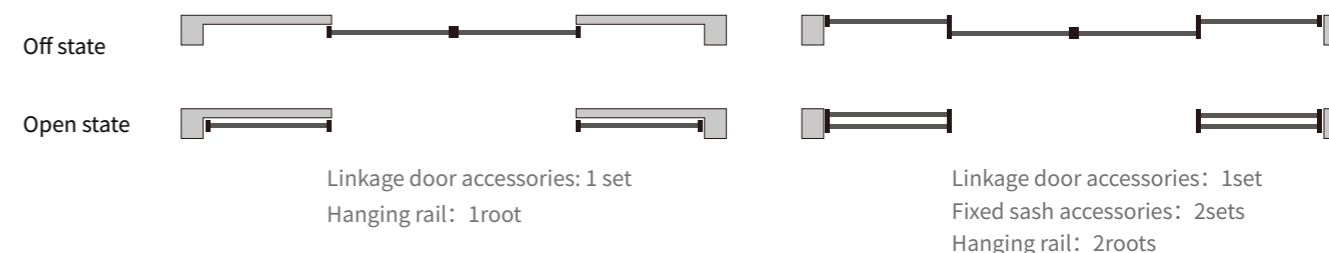
### Calculation formula

$$DH = OH - 69$$

$$DW = (OW + 16 * 2) / 4$$

$$TL = OW - 5$$

### Common configuration type



### Supporting products (Optional)

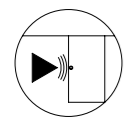
Sliding door handle or sliding door handle lock(KLS94504or KLS94404):2set(refer P246 for details)  
Narrow frame door components(KYN97004):2set(without fixed sash)or 4 sets (with fixed sash)are determined according to the configuration(refer P341 for details)  
Fixed sash accessories(KYN97005):2sets(refer P342 for details)



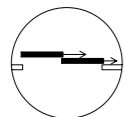
## Aluminum narrow frame linkage sliding door accessories KYN6131LD

Applicable maximum door weight 60Kg

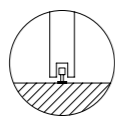
### Sliding door function diagram



Buffer linkage type



Synchronous isotropic



Door bottom guide

### Technical Parameters

Applicable door weight	≤60Kg
Applicable door width	≥600mm
Applicable door height	≤2600mm
Height adjustment	±5mm
Buffer type	Two-way buffering
Linkage type	belt drive
Applicable door type	Aluminum narrow frame door

### Main Material

Hanging wheel main body	Zinc alloy
Adjustable mounting	Aluminum alloy
Door bottom guide	Stainless Steel + Nylon
Hanging rail	Aluminum alloy



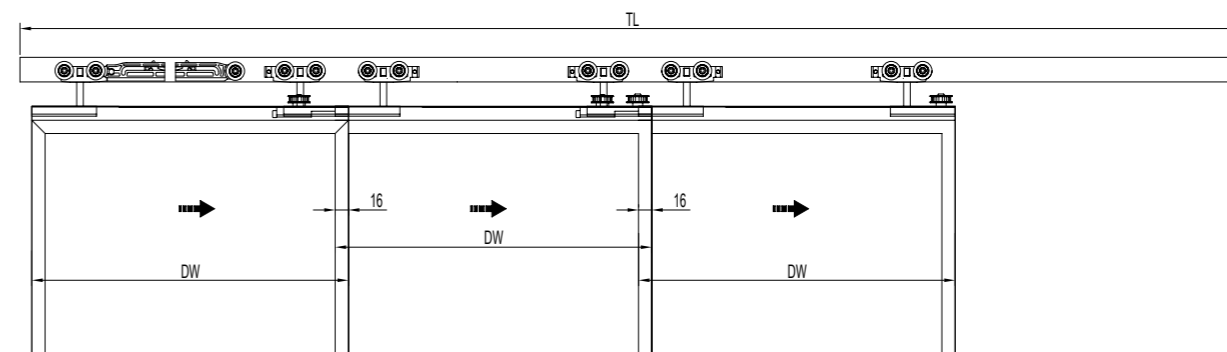
### Standard configuration

Model	Accessory name	Accessory Picture	Quantity	Accessory name	Accessory Picture	Quantity
KYN6131LD	Buffer hanging wheel		1	Hanging wheel		5
	Adjustable mounting		2	Linkage belt fixing clamp		3
	Long guide wheel		2	External linkage guide		2
	Short guide wheel		2	Door bottom guide		1
	Buffer block		2	Belt		2
	Top mounting fixed clamp		1			

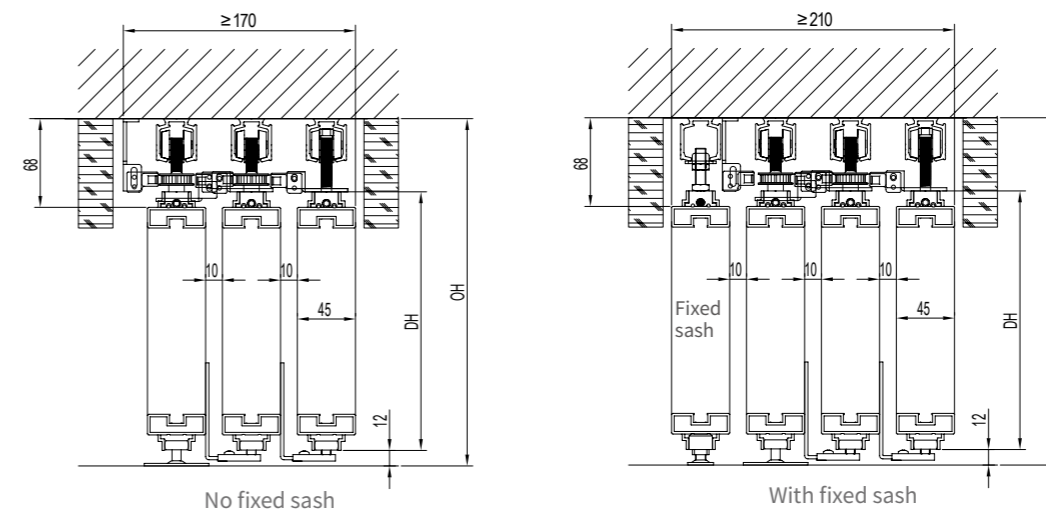
### Matching track

Model	Product Picture	Dimensions	Remark
KYN91010			The quantity is determined according to the configuration of the door sash The length is calculated according to the width of the door opening and needs to be ordered separately

### Installation diagram



### Installation Diagram for Hanging Rail and Hanging Wheel



### Dimension definition

Door sash width	DW
Door opening width	OW
Fixed sash width	FW
Door sash height	DH
Door opening height	OH
Hanging rail length	TL

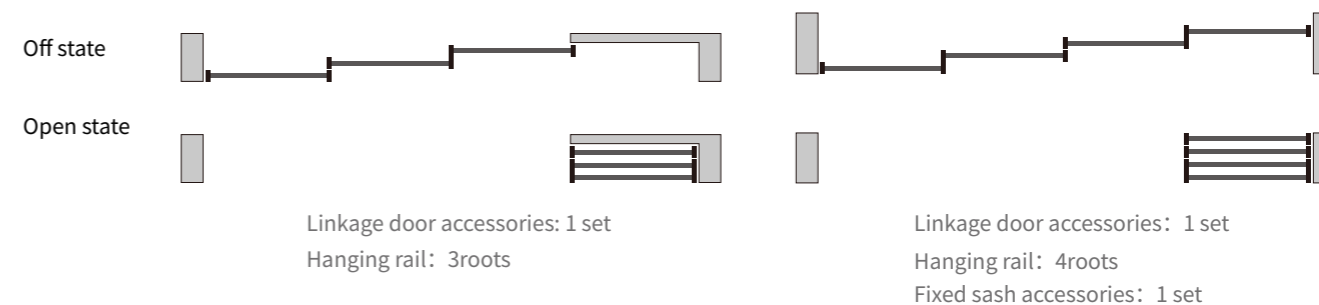
### Calculation formula

$$DH = OH - 69$$

$$DW = (OW + 16 * 3) / 4$$

$$TL = OW - 5$$

### Common configuration type



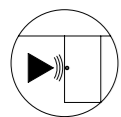
### Supporting products (Optional)

Sliding door handle or sliding door handle lock(KLS94504 or KLS94404):1 set(refer P246 for details)  
Narrow frame door components(KYN97004):2 sets (without fixed sash) or 3 sets (with fixed sash) are determined according to the configuration (refer P341 for details)  
Fixed sash accessories(KYN97005):1 set(refer P342 for details)

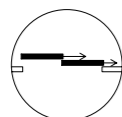
## Aluminum narrow frame linkage sliding door accessories KYN6221LD

Applicable door weigh 60Kg

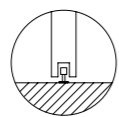
### Sliding door function diagram



Buffer linkage type



Synchronous isotropic



Door bottom guide

### Technical Parameters

door weight	≤60Kg
Applicable door thickness	35、45mm
Applicable door width	≥570mm
Applicable door height	≤2600mm
Height adjustment	±5mm
Buffer type	two-way buffering
Linkage type	Same direction linkage sliding door
Applicable door type	Aluminum narrow frame door

### Main Material

Hanging wheel main body	Zinc alloy
Adjustable mounting	Aluminum alloy
Door bottom guide	Stainless Steel + Nylon
Hanging rail	Aluminum alloy

### Standard configuration

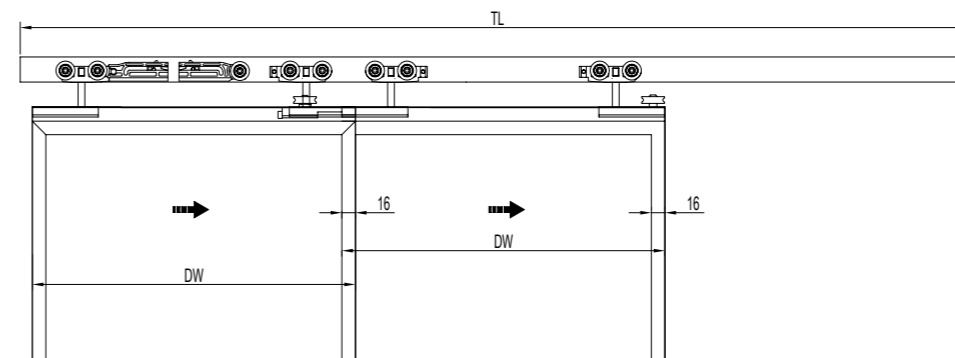
Model	Accessory name	Accessory Picture	Quantity	Accessory name	Accessory Picture	Quantity
KYN6221LD	Buffer hanging wheel		1	Hanging wheel		3
	Adjustable mounting		2	Linkage fixer		1
	long guide wheel		1	External linkage guide		1
	Short guide wheel		1	Door bottom guide		1
	Buffer block		2	Wirerope		1
	Top mounting fixed clamp		1			

### Matching hanging rail

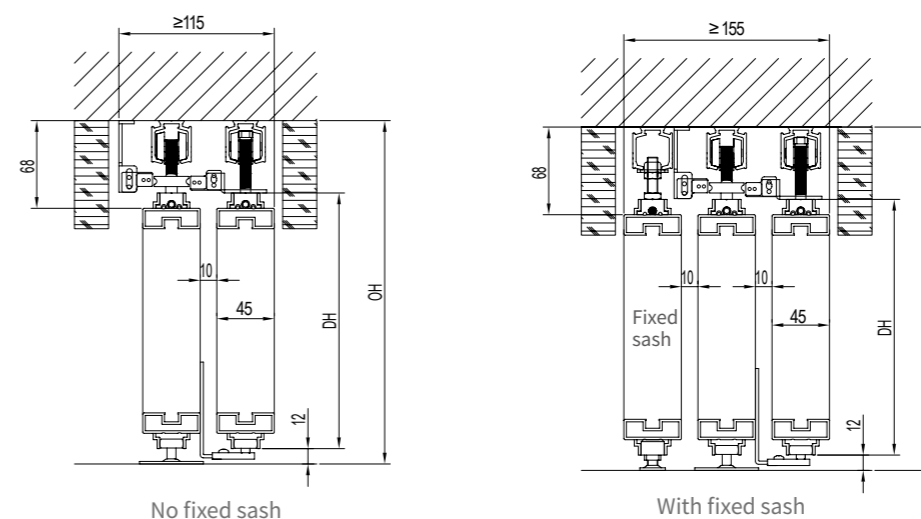
Model	Product Picture	Dimensions	Remark
KYN91010			The quantity is determined according to the configuration of the door leaf The length is calculated according to the width of the door opening and needs to be ordered separately



### Installation diagram



### Installation Diagram for Hanging Rail and Hanging Wheel



### Size explanation

Door sash width	DW
Door opening width	OW
Fixed sash width	FW
Door sash height	DH
Door opening height	OH
Hanging rail length	TL

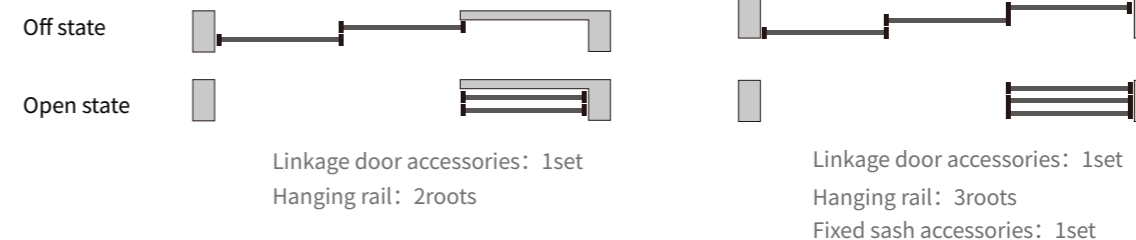
### Calculation formula

$$DH = OH - 69$$

$$DW = (OW + 16 * 2) / 3$$

$$TL = OW - 5$$

### Common configuration type



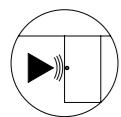
### Supporting products (Optional)

Sliding door handle or sliding door handle lock(KLS94504orKLS94404):1set(refer P246 for details)  
Narrow frame door components(KYN97004):2set(No fixed sash)or 3set(With fixed sash)are determined according to the configuration(refer P341 for details)  
Fixed sash accessories(KYN97005):1set(refer P342 for details)

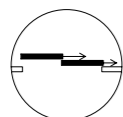
## Aluminum narrow frame linkage sliding door accessories KYN6231LD

Applicable door weigh 60Kg

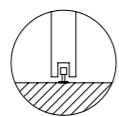
### Sliding door function diagram



Buffer linkage type



Synchronous isotropic



Door bottom guide

### Technical Parameters

door weight	≤60Kg
Applicable door width	≥600mm
Applicable door height	≤2600mm
Height adjustment	±5mm
Buffer type	two-way buffering
Linkage type	Wire drive
Applicable door type	Aluminum narrow frame door

### Main Material

Hanging wheel main body	Zinc alloy
Adjustable mounting	Aluminum alloy
Door bottom guide	Stainless Steel + Nylon
Hanging rail	Aluminum alloy



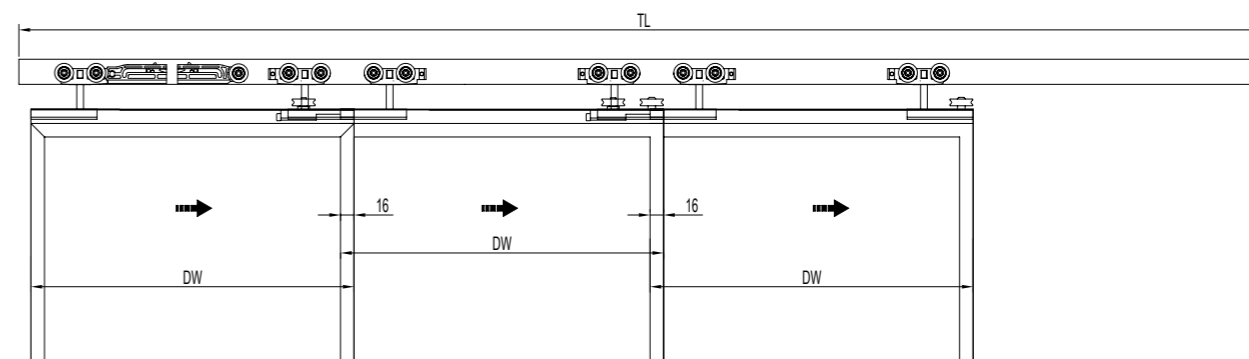
### Standard configuration

Model	Accessory name	Accessory Picture	Quantity	Accessory name	Accessory Picture	Quantity
KYN6231LD	Buffer hanging wheel		1	Hanging wheel		5
	Adjustable mounting		2	Linkage fixer		3
	long guide wheel		2	External linkage guide		2
	Short guide wheel		2	Door bottom guide		1
	Buffer block		2	Wirerope		2
	Top mounting fixed clamp		1			

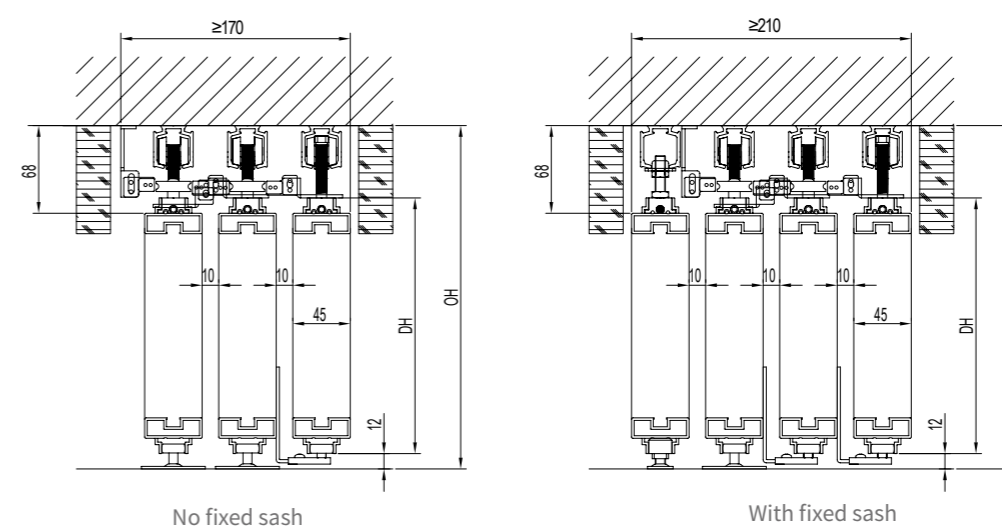
### Matching hanging rail

Model	Product Picture	Dimensions	Remark
KYN91010			The quantity is determined according to the configuration of the door leaf The length is calculated according to the width of the door opening and needs to be ordered separately

### Installation diagram



### Installation Diagram for Hanging Rail and Hanging Wheel



### Size explanation

Door sash width	DW
Door opening width	OW
Fixed sash width	FW
Door sash height	DH
Door opening height	OH
Hanging rail length	TL

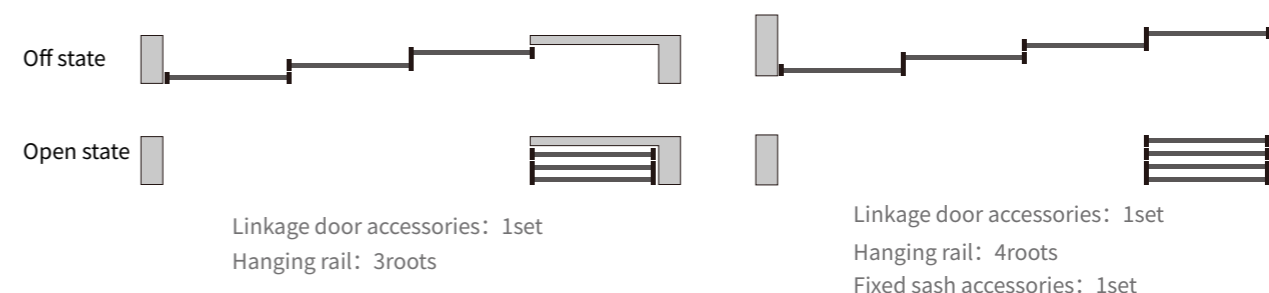
### Calculation formula

$$DH = OH - 69$$

$$DW = (OW + 16 * 3) / 4$$

$$TL = OW - 5$$

### Common configuration type



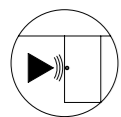
### Supporting products (Optional)

Sliding door handle or sliding door handle lock(KLS94504orKLS94404):1set(refer P246 for details)  
Narrow frame door components(KYN97004):2set(No fixed sash)or3set(With fixed sash)are determined according to the configuration(refer P341 for details)  
Fixed sash accessories(KYN97005):1set(refer P342 for details)

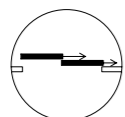
## 90-degree Angle Aluminum narrow frame Sliding door accessories KYN6002HD

Applicable door weigh 60Kg

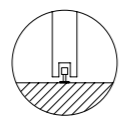
### Sliding door function diagram



Buffer linkage type



Synchronous isotropic



Door bottom guide

### Technical Parameters

door weight	≤60Kg
Applicable door thickness	35、45mm
Applicable door width	≥570mm
Applicable door height	≤2600mm
Height adjustment	±5mm
Buffer type	two-way buffering
Linkage type	Same direction linkage sliding door
Applicable door type	Aluminum narrow frame door

### Main Material

Hanging wheel main body	Zinc alloy
Adjustable mounting	Aluminum alloy
Door bottom guide	Stainless Steel + Nylon
Hanging rail	Aluminum alloy



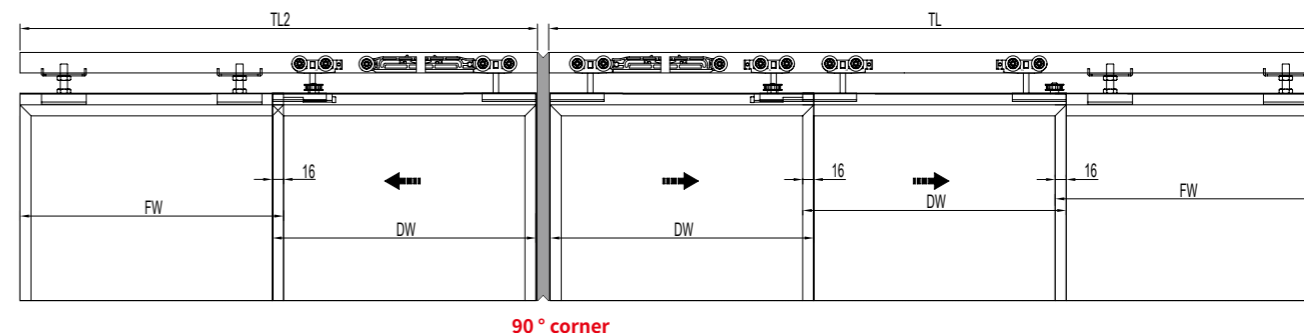
### Standard configuration

Model	Accessory name	Accessory Picture	Quantity	Accessory name	Accessory Picture	Quantity
KYN6002HD	Buffer hanging wheel		2	Hanging wheel		4
	Adjustable mounting		4	Linkage belt fixing clamp		1
	long guide wheel		1	External linkage guide		1
	Short guide wheel		1	Door bottom guide		2
	Buffer block		4	Belt		1
	Top mounting fixed clamp		1	Fixed sash accessories		2

### Matching hanging rail

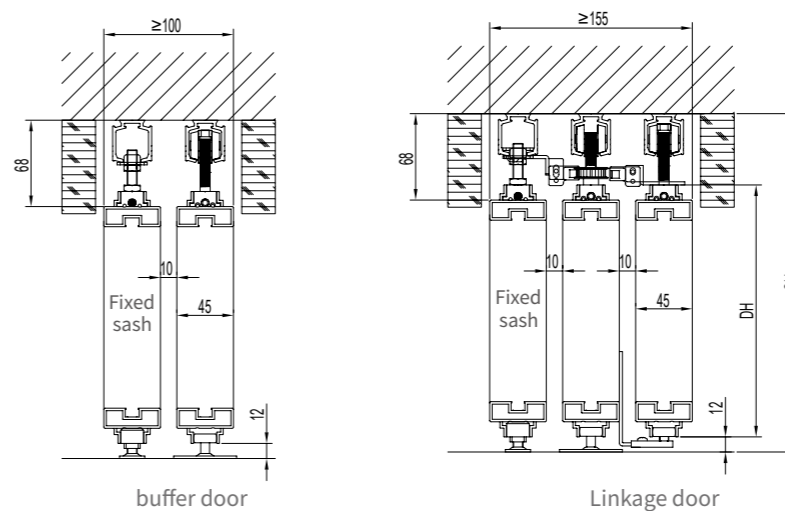
Model	Product Picture	Dimensions	Remark
KYN91010			The quantity is determined according to the configuration of the door leaf The length is calculated according to the width of the door opening and needs to be ordered separately

### Installation diagram



90° corner

### Installation Diagram for Hanging Rail and Hanging Wheel



### Size explanation

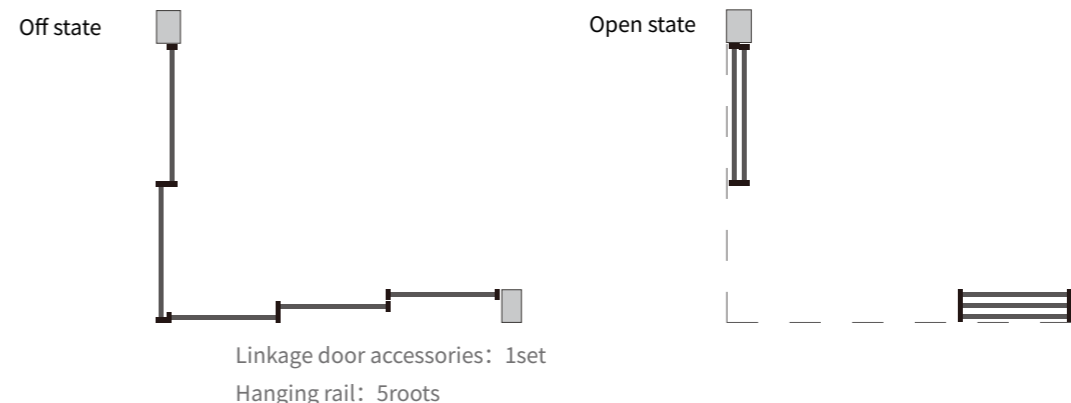
Door sash width	DW
Door opening width	OW
Fixed sash width	FW
Door sash height	DH
Door opening height	OH
Hanging rail length	TL

### Calculation formula

$$DH = OH - 69$$

$$TL = OW - 5$$

### Common configuration type



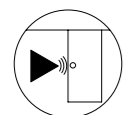
### Supporting products (Optional)

Sliding door handle KLS94504:2set(refer P246 for details)  
Narrow frame door components(KYN97004):5set(refer P341 for details)

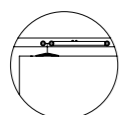
## Aluminum narrow frame Double push-pull buffer door accessories KYN6001HD

Applicable door weigh 80Kg

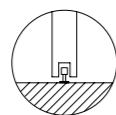
### Sliding door function diagram



Buffer Sliding Door



Built-in



Door bottom guide

### Technical Parameters

door weight	≤80Kg
Applicable door thickness	45mm
Applicable door width	≥570mm
Applicable door height	≤2400mm
Height adjustment	±3mm
Buffer type	two-way buffering
Applicable door type	Aluminum narrow frame door

### Main Material

Hanging wheel main body	Zinc alloy
Adjustable mounting	Aluminum alloy
Door bottom guide	Stainless Steel + Nylon
Hanging rail	Aluminum alloy



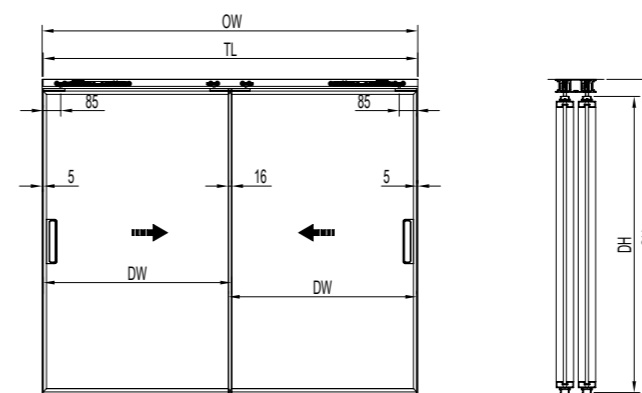
### Sliding door accessories (one door)

Model	Accessories name	Accessories picture	Quantity
KYN6001HD	Buffer hanging wheel assembly		2pcs
	Hanging wheel assembly		2pcs
	Buffer block		4pcs
	Door bottom guide		1pcs

### Matching hanging rail

Model	Product Picture	Dimensions	Remark	备注
KYN91010			2roots	Choose one of the options, The length is calculated according to the width of the door opening and needs to be ordered separately
KYN91018			1root	

### Installation diagram



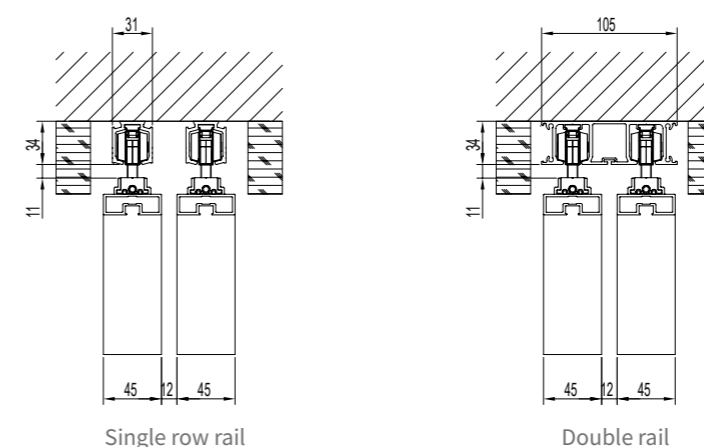
### Size explanation

Door sash width	DW
Door opening width	OW
Door sash height	DH
Door opening height	OH
Hanging rail length	TL

### Calculation formula

DH=OH-55
DW=OW/2+3
TL=OW-5

### Installation Diagram for Hanging Rail and Hanging Wheel

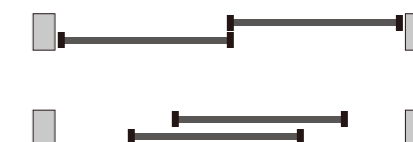


Door bottom guide installation dimension drawing

### Common configuration type



Sliding door accessories: 1set  
Hanging rail(KYN91018): 1root



Sliding door accessories: 1set  
Hanging rail(KYN91010): 2roots

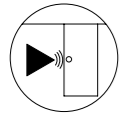
### Supporting products (Optional)

Sliding door handle or sliding door handle lock(KLS94504orKLS94404):2set(refer P246 for details)  
Narrow frame door components(KYN97004):2set(refer P341 for details)

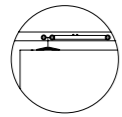
# Aluminum narrow frame Buffer Sliding Dooraccessories KYN8210HD

Applicable door weigh 80Kg

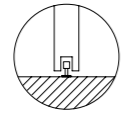
## Sliding door function diagram



Buffer Sliding Door



Built-in



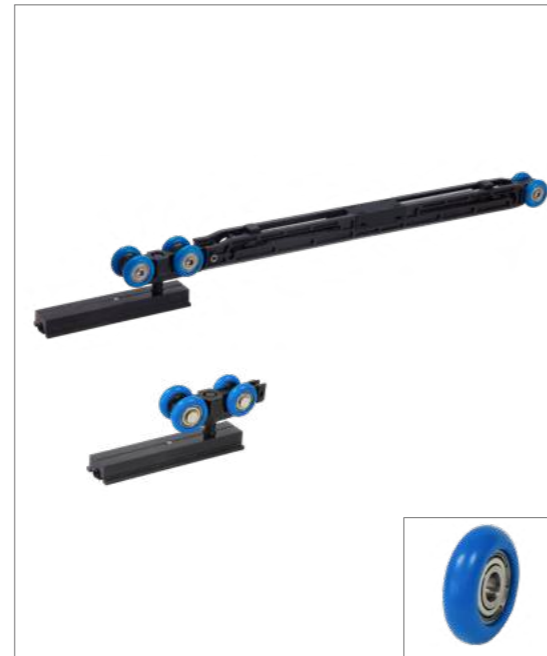
Door bottom guide

## Technical Parameters

door weight	≤80Kg
Applicable door thickness	35、45mm
Applicable door width	≥570mm
Applicable door height	≤2400mm
Height adjustment	±3mm
Buffer type	two-way buffering
Applicable door type	Aluminum narrow frame door

## Main Material

Hanging wheel main body	Zinc alloy
Adjustable mounting	Aluminum alloy
Door bottom guide	Stainless Steel + Nylon
hanging rail	Aluminum alloy



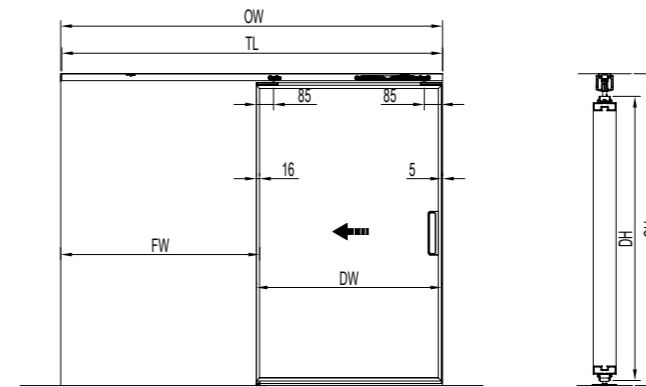
## Sliding door accessories (one door)

Model	Accessories name	Accessories picture	Quantity
KYN8210HD	Buffer hanging wheel assembly		1Pcs
	Hanging wheel assembly		1pcs
	Buffer block		2pcs
	Door bottom guide		1pcs

## Matching hanging rail

Model	Product Picture	Dimensions	Remark
KYN91013			The quantity is determined according to the configuration of the door leaf The length is calculated according to the width of the door opening and needs to be ordered separately

## Installation diagram

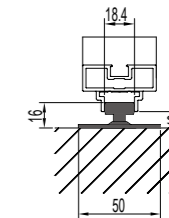
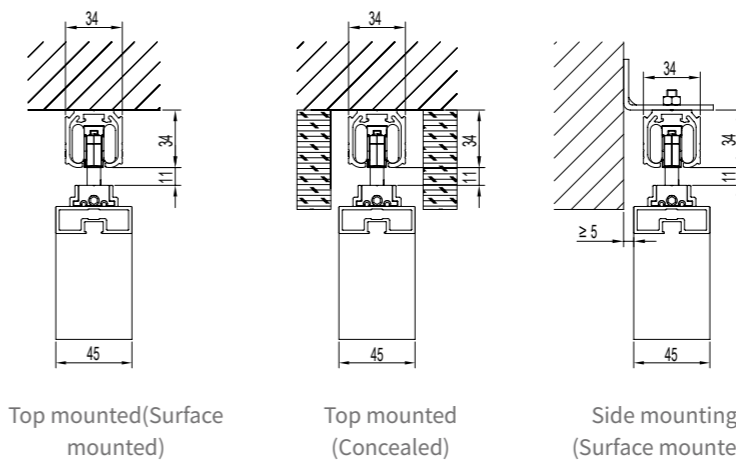


## Size explanation

Door sash width	DW	DH=OH-55
Door opening width	OW	FW=OW/2+16
Fixed sash width	FW	DW=FW-21
Door sash height	DH	TL=OW-5
Door opening height	OH	
Hanging rail length	TL	

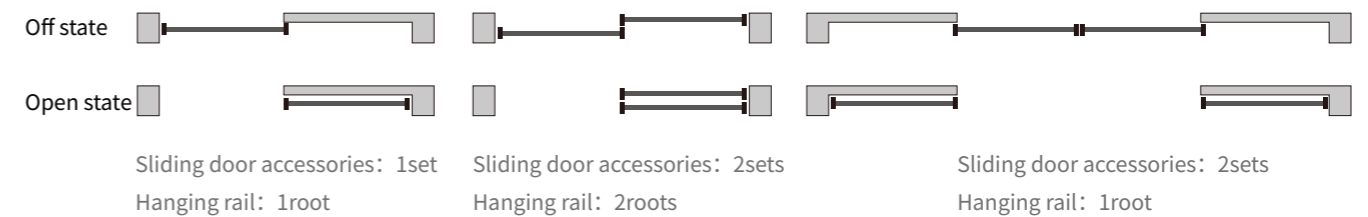
## Calculation formula

## Installation Diagram for Hanging Rail and Hanging Wheel



Door bottom guide installation dimension drawing

## Common configuration type



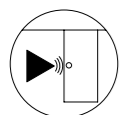
## Supporting products (Optional)

Sliding door handle or sliding door handle lock(KLS94504orKLS94404):1set(Refer P246 for details)  
Narrow frame door components(KYN97004):2set(No fixed sash)or 3set(With fixed sash)are determined according to the configuration(Refer P341 for details)  
Fixed sash accessories(KYN97005):1set(Refer P342 for details)  
Hanging rail side installation assembly( KYN97001):The quantity is determined according to the length of the hanging rail(Refer P341 for details)

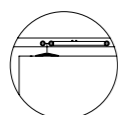
## Aluminum narrow frame Buffer Sliding Door accessories KYN8220HD

Applicable door weigh 80Kg

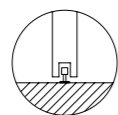
### Sliding door function diagram



Buffer Sliding Door



Built-in



Door bottom guide

### Technical Parameters

door weight	≤80Kg
Applicable door thickness	35、45mm
Applicable door width	≥ 570mm
Applicable door height	≤2400mm
Height adjustment	±3mm
Buffer type	two-way buffering
Applicable door type	Aluminum narrow frame door

### Main Material

Hanging wheel main body	Zinc alloy
Adjustable mounting	Aluminum alloy
Door bottom guide	Stainless Steel + Nylon
Hanging rail	Aluminum alloy



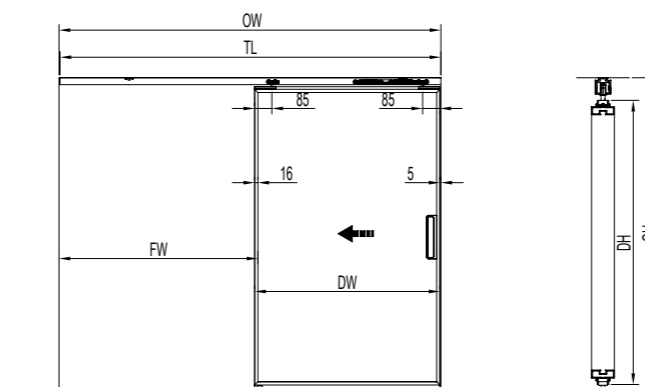
### Sliding door accessories (one door)

Model	Accessories name	Accessories picture	Quantity
KYN8220HD	Buffer hanging wheel assembly		1Pcs
	Hanging wheel assembly		1Pcs
	Buffer block		2Pcs
	Door bottom guide		1Pcs

### Matching hanging rail

Model	Product Picture	Dimensions	Remark
KYN91010			The quantity is determined according to the configuration of the door leaf The length is calculated according to the width of the door opening and needs to be ordered separately

### Installation diagram

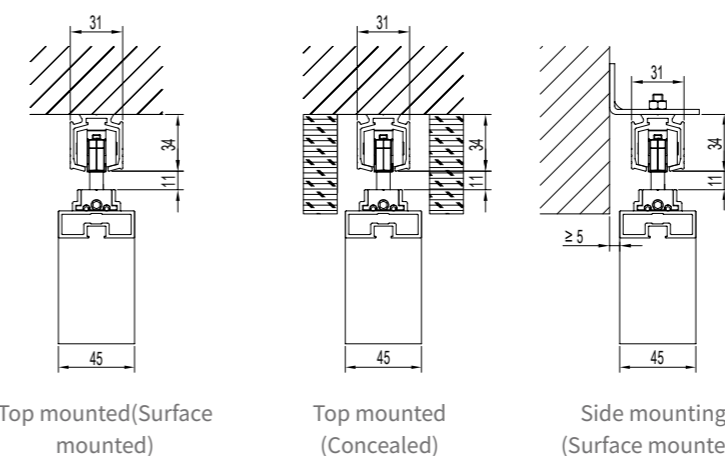


### Size explanation

Door sash width	DW	DH=OH-55
Door opening width	OW	FW=OW/2+16
Fixed sash width	FW	DW=FW-21
Door sash height	DH	TL=OW-5
Door opening height	OH	
Hanging rail length	TL	

### Calculation formula

### Installation Diagram for Hanging Rail and Hanging Wheel



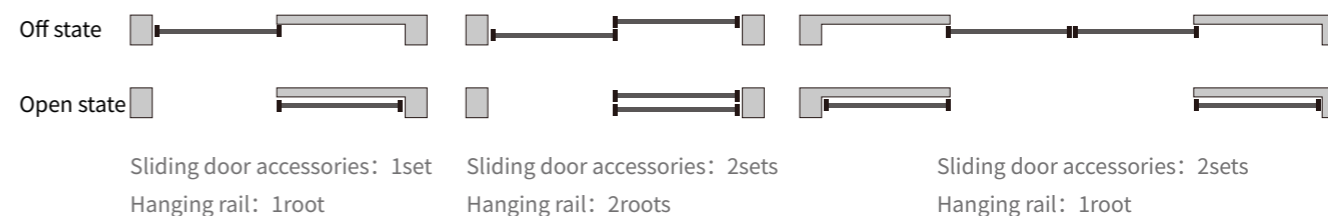
Top mounted(Surface mounted)

Top mounted (Concealed)

Side mounting (Surface mounted)

Door bottom guide installation dimension drawing

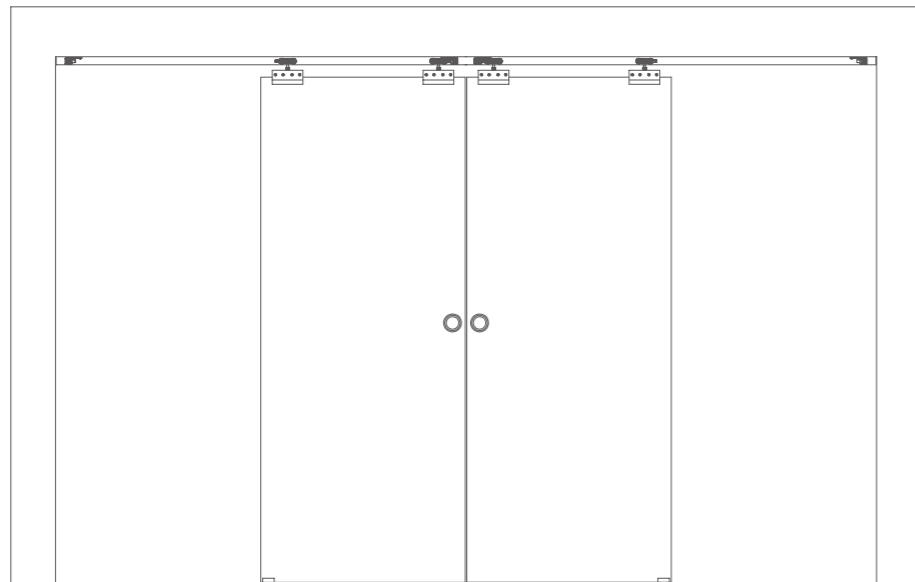
### Common configuration type



### Supporting products (Optional)

Sliding door handle or sliding door handle lock(KLS94504orKLS94404):1set(refer P246 for details)  
Narrow frame door components(KYN97004):2set(No fixed sash)or 3set(With fixed sash)are determined according to the configuration(refer P341 for details)  
Fixed sash accessories(KYN97005):1set(refer P342 for details)  
Hanging rail side installation assembly( KYN97001):The quantity is determined according to the length of the hanging rail(refer P341for details)

# Glass sliding door accessories



Sliding door



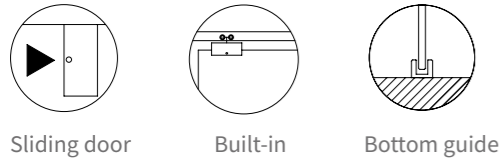
Sliding door



## Glass sliding door accessories KYN8110E

Applicable maximum door weight 60Kg

### Sliding door function diagram



### Technical Parameters

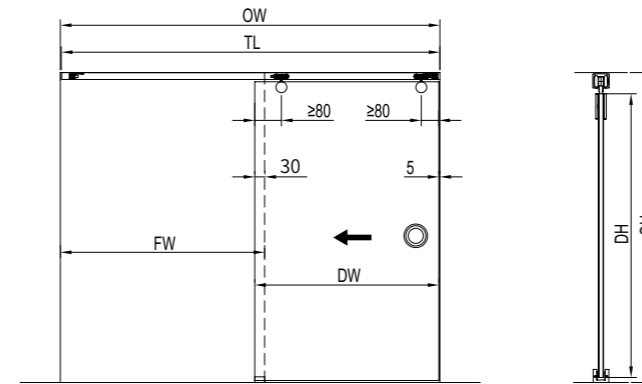
Applicable door weight	≤60Kg
Applicable door thickness	10-12mm
Applicable door height	≤2300mm
Height adjustment	±3mm
Applicable door type	All-glass door

### Main Material

Hanging wheel main body	Zinc alloy
Glass patch	Stainless steel
Door bottom guide	304stainless steel
Hanging rail	Aluminum alloy



### Installation diagram



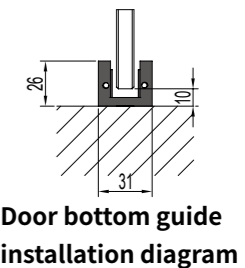
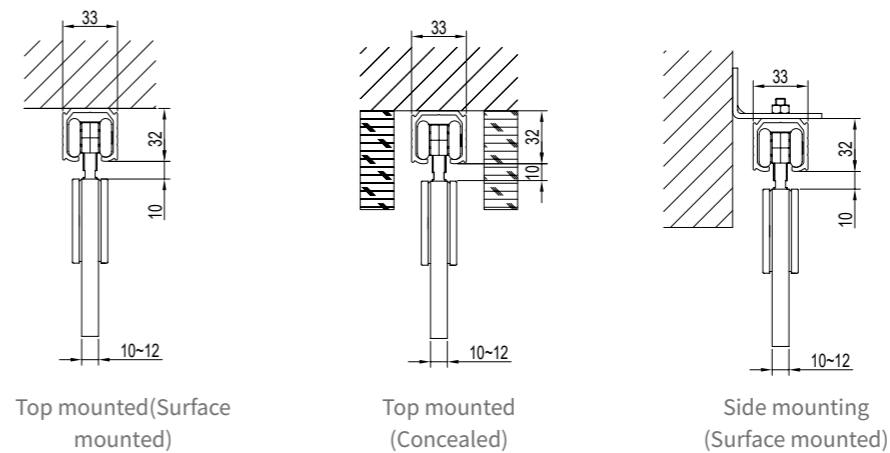
### Dimension definition

Door sash width	DW
Door opening width	OW
Fixed sash width	FW
Door sash height	DH
Door opening height	OH
Hanging rail length	TL

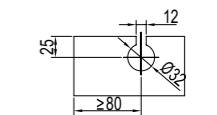
### Calculation formula

DH=OH-52
FW=OW/2+30
DW=FW-35
TL=OW-5

### Installation Diagram for Hanging Rail and Hanging Wheel



Door bottom guide installation diagram



Glass cut out drawing

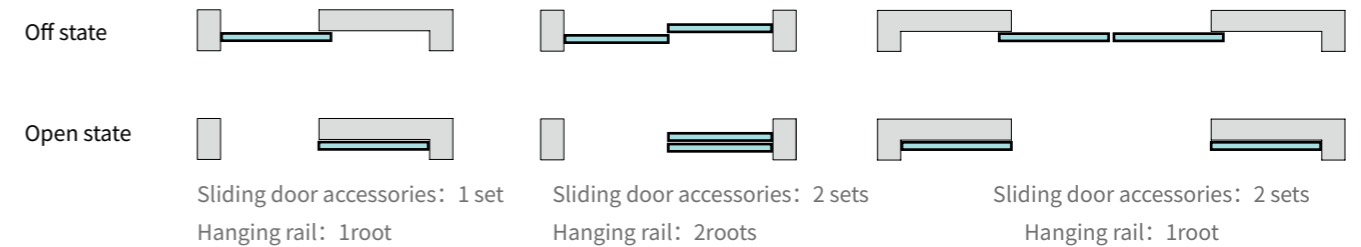
### Sliding door accessories (one door)

Model	Accessories name	Accessories picture	Quantity
KYN8110E	Hanging wheel assembly		2pcs
	Positioning parts		2pcs
	Door bottom guide		1pcs

### Matching hanging rail

Model	Picture	Dimensions	Remark
KYN91005			The quantity is determined according to the configuration of the door sash. The length is calculated according to the width of the door opening and needs to be ordered separately.

### Common configuration type



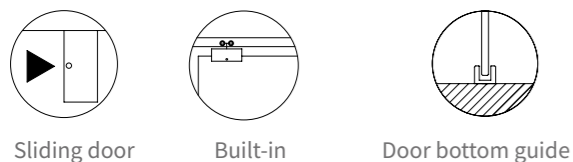
### Supporting products (Optional)

Concealed handle or sliding door lock: 1 set (refer P240-241/P187-188 for details)  
 Hanging rail side installation assembly (KYN97001): The quantity is determined according to the length of the hanging rail (refer P341 for details)

## Glass Sliding door accessories KYN8220G

Applicable door weigh 80Kg

### Sliding door function diagram



### Technical Parameters

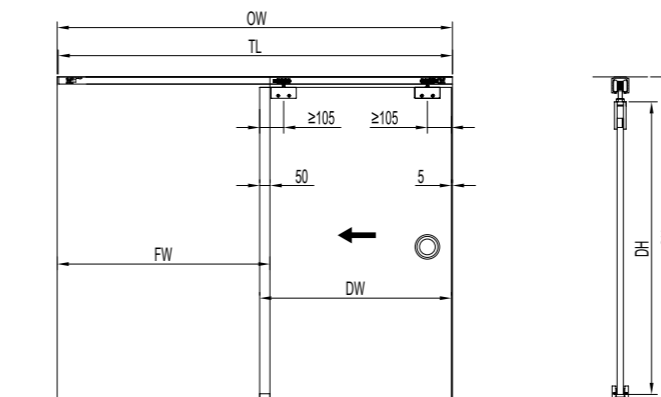
door weight	≤80Kg
Applicable door thickness	10-12mm
Applicable door height	≤2400mm
Height adjustment	±5mm
Applicable door type	All-glass door

### Main Material

Hanging wheel main body	Zinc alloy
Glass patch	304Stainless Steel
Door bottom guide	304Stainless Steel
Hanging rail	Aluminum alloy



### Installation diagram

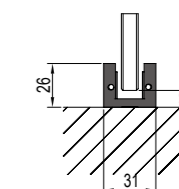
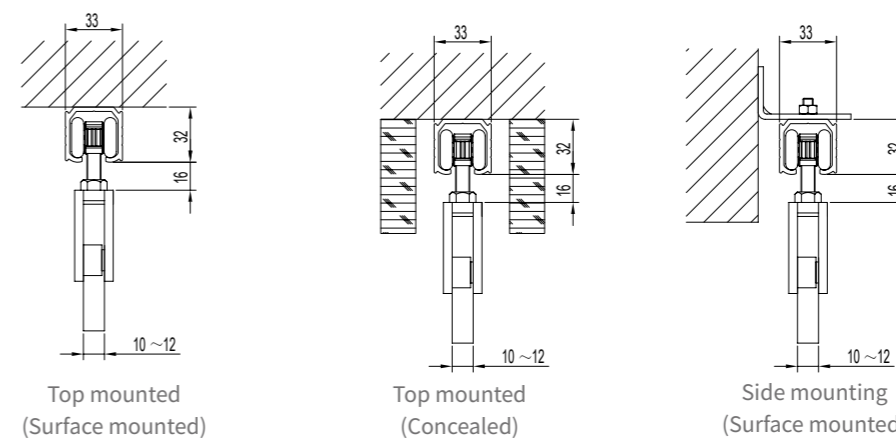


### Size explanation

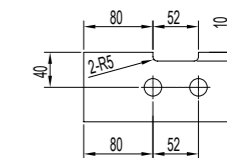
Door sash width	DW	DH=OH-58
Door opening width	OW	FW=OW/2+50
Fixed sash width	FW	DW=FW-55
Door sash height	DH	TL=OW-5
Door opening height	OH	
Hanging rail length	TL	

### Calculation formula

### Installation Diagram for Hanging Rail and Hanging Wheel



Door bottom guide installation dimension drawing



Glass opening diagram

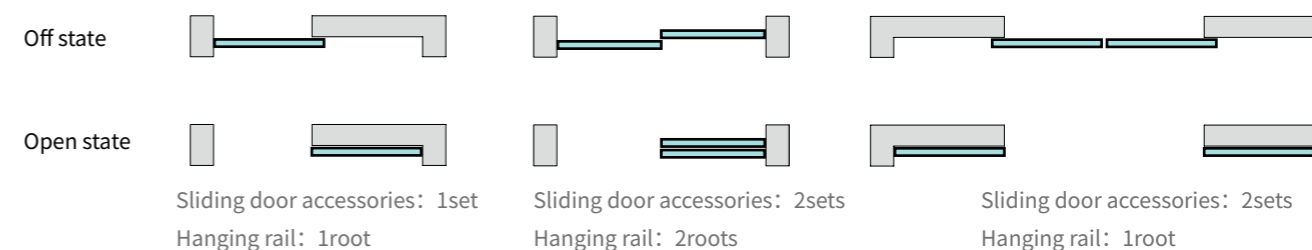
### Sliding door accessories (one door)

Model	Accessories name	Accessories picture	Quantity
KYN8220G	Hanging wheel assembly		2Pcs
	Positioning parts		2Pcs
	Door bottom guide		1Pcs

### Matching hanging rail

Model	Product Picture	Dimensions	Remark
KYN91005			The quantity is determined according to the configuration of the door leaf The length is calculated according to the width of the door opening and needs to be ordered separately

### Common configuration type



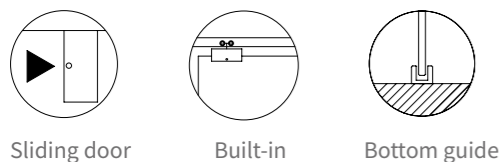
### Supporting products (Optional)

Concealed handle or sliding door lock: 1 set (refer P240-241/P187-188 for details)  
Hanging rail side installation assembly (KYN97001): The quantity is determined according to the length of the hanging rail (refer P341 for details)

## Glass sliding door accessories KYN8310G

Applicable maximum door weight 100Kg

### Sliding door function diagram



### Technical Parameters

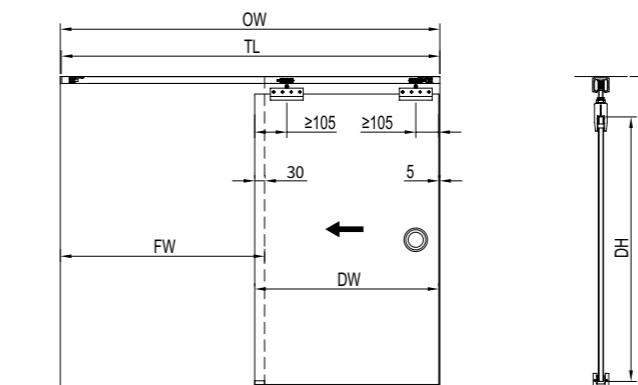
Applicable door weight	≤100Kg
Applicable door thickness	10-12mm
Applicable door height	≤2500mm
Height adjustment	±5mm
Applicable door type	All-glass door

### Main Material

Hanging wheel main body	Zinc alloy
Glass patch	Aluminum alloy
Door bottom guide	304stainless steel
Hanging rail	Aluminum alloy



### Installation diagram



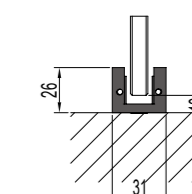
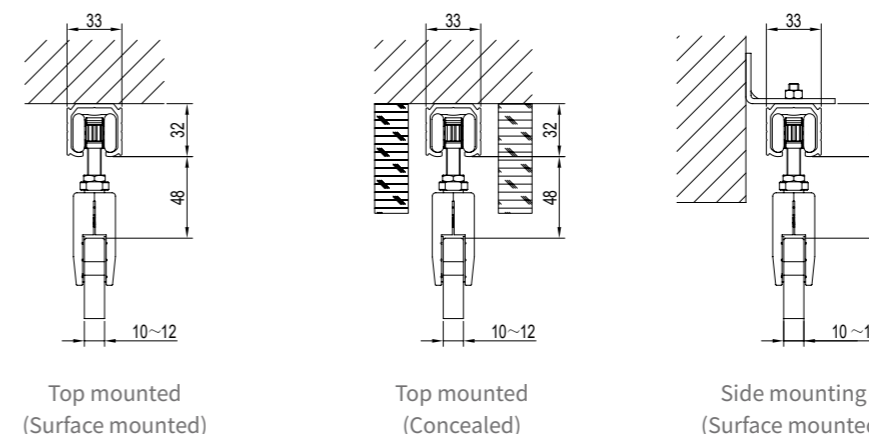
### Dimension definition

Door sash width	DW
Door opening width	OW
Fixed sash width	FW
Door sash height	DH
Door opening height	OH
Hanging rail length	TL

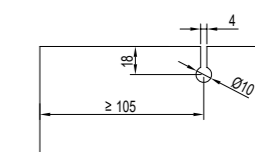
### Calculation formula

$DH=OH-90$
$FW=OW/2+30$
$DW=FW-35$
$TL=OW-5$

### Installation Diagram for Hanging Rail and Hanging Wheel



Door bottom guide installation diagram



Glass cut out drawing

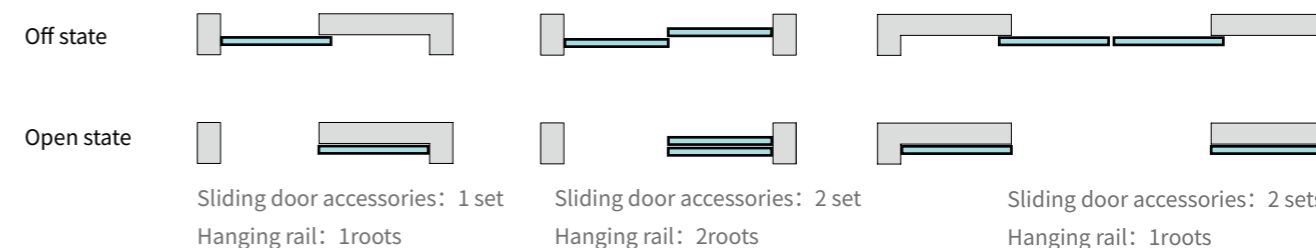
### Sliding door accessories (one door)

Model	Accessories name	Accessories picture	Quantity
KYN8310G	Hanging wheel assembly		2pcs
	Positioning parts		2pcs
	Door bottom guide		1pcs

### Matching hanging rail

Model	Picture	Dimensions	Remark
KYN91005			The quantity is determined according to the configuration of the door sash The length is calculated according to the width of the door opening and needs to be ordered separately

### Common configuration type



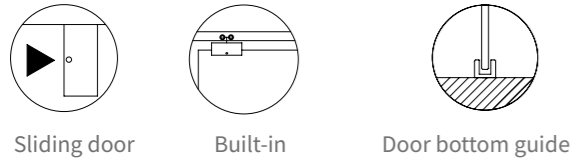
### Supporting products (Optional)

Concealed handle or sliding door lock: 1 set (refer P240-241/P187-188 for details)  
Hanging rail side installation assembly (KYN97001): The quantity is determined according to the length of the hanging rail (refer P341 for details)

## Glass Sliding door accessories KYN8320G

Applicable door weigh 100Kg

### Sliding door function diagram

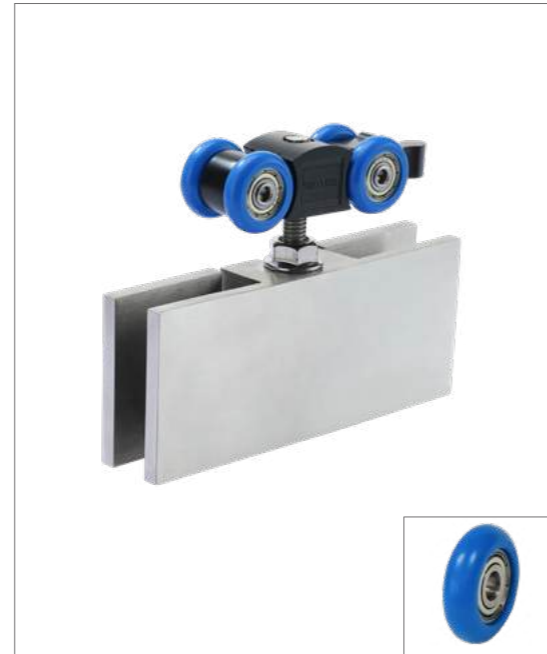


### Technical Parameters

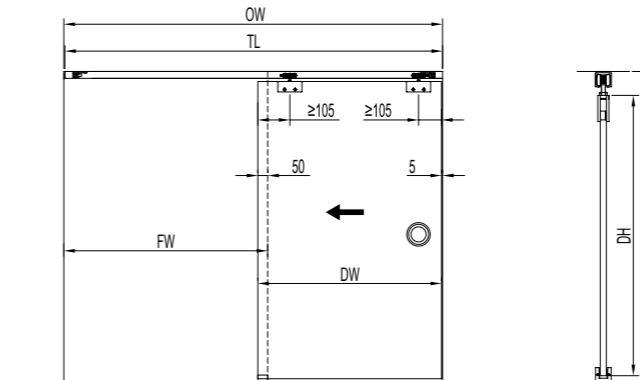
door weight	≤100Kg
Applicable door thickness	10-12mm
Applicable door height	≤2500mm
Height adjustment	±5mm
Applicable door type	All-glass door

### Main Material

Hanging wheel main body	Zinc alloy
Glass patch	304Stainless Steel
Door bottom guide	304Stainless Steel
Hanging rail	Aluminum alloy



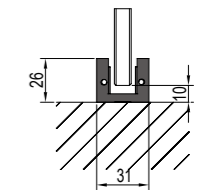
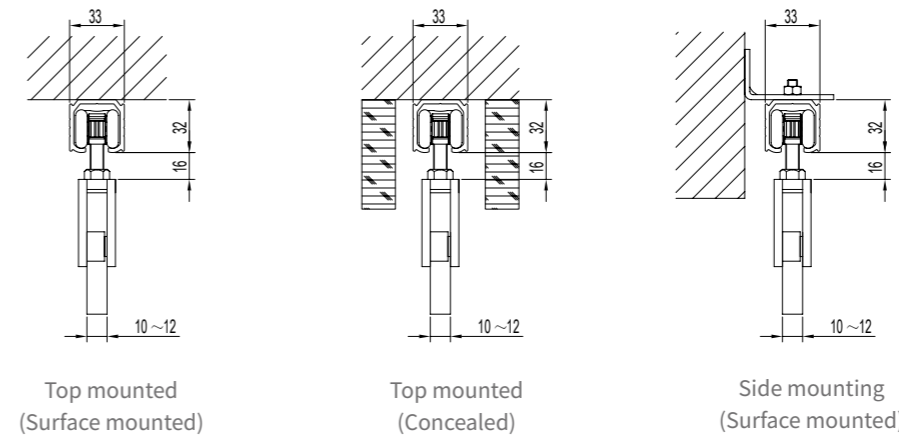
### Installation diagram



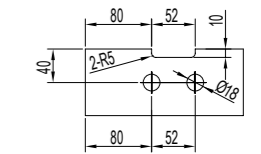
### Size explanation Calculation formula

Door sash width	DW	DH=OH-58
Door opening width	OW	FW=OW/2+50
Fixed sash width	FW	DW=FW-55
Door sash height	DH	TL=OW-5
Door opening height	OH	
Hanging rail length	TL	

### Installation Diagram for Hanging Rail and Hanging Wheel



Door bottom guide installation dimension drawing



Glass opening diagram

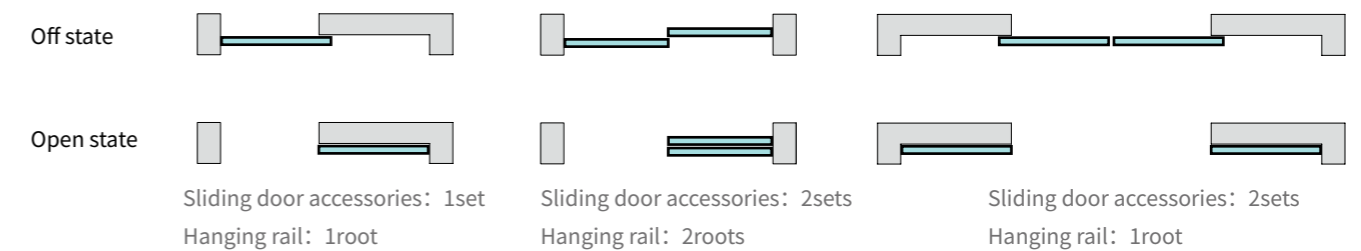
### Sliding door accessories (one door)

Model	Accessories name	Accessories picture	Quantity
KYN8320G	Hanging wheel assembly		2Pcs
	Positioning parts		2Pcs
	Door bottom guide		1Pcs

### Matching hanging rail

Model	Product Picture	Dimensions	Remark
KYN91005			The quantity is determined according to the configuration of the door leaf The length is calculated according to the width of the door opening and needs to be ordered separately

### Common configuration type



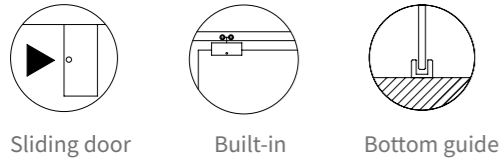
### Supporting products (Optional)

Concealed handle or sliding door lock:1 set (refer P240-241/P187-188 for details)  
Hanging rail side installation assembly(KYN97001):The quantity is determined according to the length of the hanging rail (refer P341 for details)

## Glass sliding door accessories KYN24010

Applicable maximum door weight 120Kg

### Sliding door function diagram



### Technical Parameters

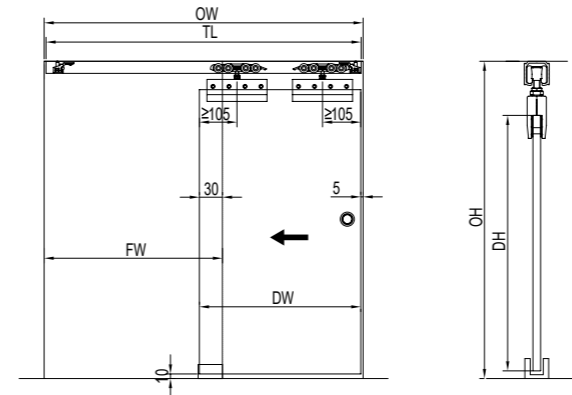
Applicable door weight	≤120Kg
Applicable door thickness	10-12mm
Applicable door height	≤2600mm
Height adjustment	±5mm
Applicable door type	All-glass door

### Main Material

Hanging wheel main body	Zinc alloy
Glass patch	Aluminum alloy
Door bottom guide	304stainless steel
Hanging rail	Aluminum alloy



### Installation diagram



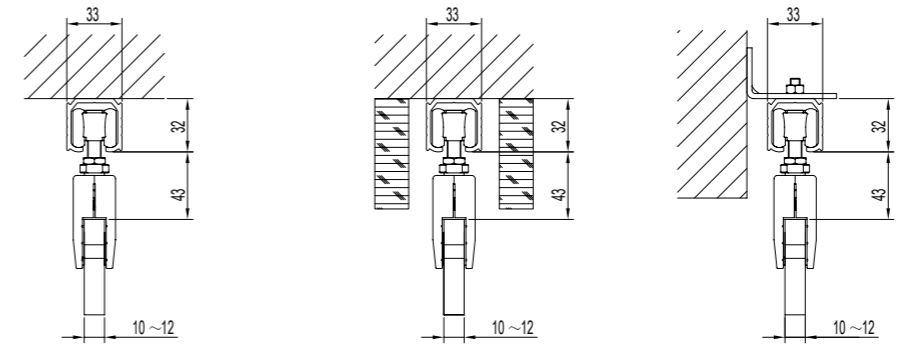
### Dimension definition

Door sash width	DW
Door opening width	OW
Fixed sash width	FW
Door sash height	DH
Door opening height	OH
Hanging rail length	TL

### Calculation formula

DH=OH-85
FW=OW/2+30
DW=FW-35
TL=OW-5

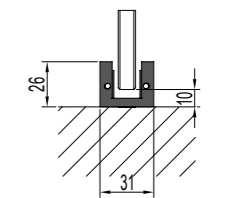
### Installation Diagram for Hanging Rail and Hanging Wheel



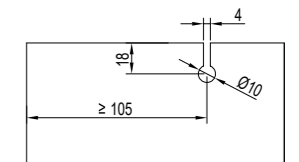
Top mounted  
(Surface mounted)

Top mounted  
(Concealed)

Side mounting  
(Surface mounted)



Door bottom guide  
installation diagram



Glass cut out drawing

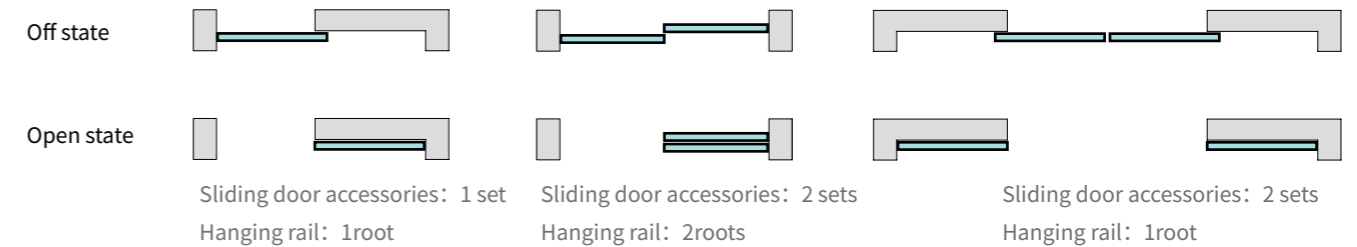
### Sliding door accessories (one door)

Model	Accessories name	Accessories picture	Quantity
KYN24010	Hanging wheel assembly		2Pcs
	Positioning parts		2Pcs
	Door bottom guide		1Pcs

### Matching hanging rail

Model	Picture	Dimensions	Remark
KYN91005			The quantity is determined according to the configuration of the door sash The length is calculated according to the width of the door opening and needs to be ordered separately

### Common configuration type



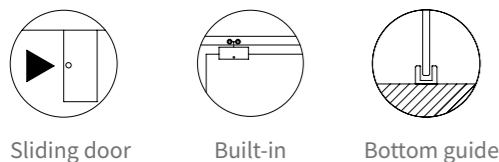
### Supporting products (Optional)

Concealed handle or sliding door lock: 1 set (refer P240-241/P187-188 for details)  
Hanging rail side installation assembly (KYN97001): The quantity is determined according to the length of the hanging rail (refer P341 for details)

## Glass sliding door accessories KYN15010

Applicable maximum door weight 150Kg

### Sliding door function diagram



### Technical Parameters

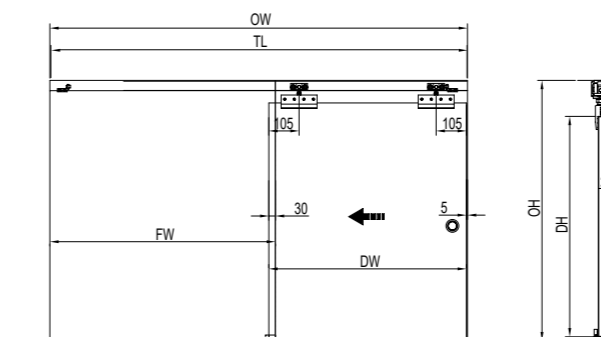
Applicable door weight	≤150Kg
Applicable door thickness	10-12mm
Applicable door height	≤2700mm
Height adjustment	±5mm
Applicable door type	All-glass door

### Main Material

Hanging wheel main body	Aluminum alloy
Glass patch	Aluminum alloy
Door bottom guide	304 stainless steel
Hanging rail	Aluminum alloy



### Installation diagram



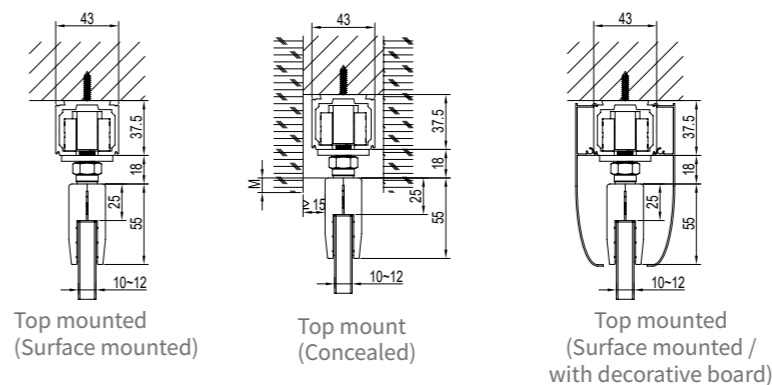
### Dimension definition

Door sash width	DW
Door opening width	OW
Fixed sash width	FW
Door sash height	DH
Door opening height	OH
Hanging rail length	TL

### Calculation formula

DH=OH-90
FW=OW/2+30
DW=FW-35
TL=OW-5

### Installation Diagram for Hanging Rail and Hanging Wheel

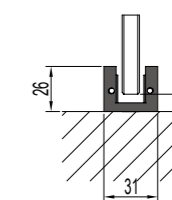


Top mounted (Surface mounted)

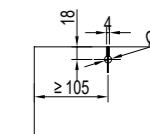
Top mount (Concealed)

Top mounted (Surface mounted / with decorative board)

Note: M is depended on the actual situation



Door bottom guide installation diagram



Glass cut out drawing

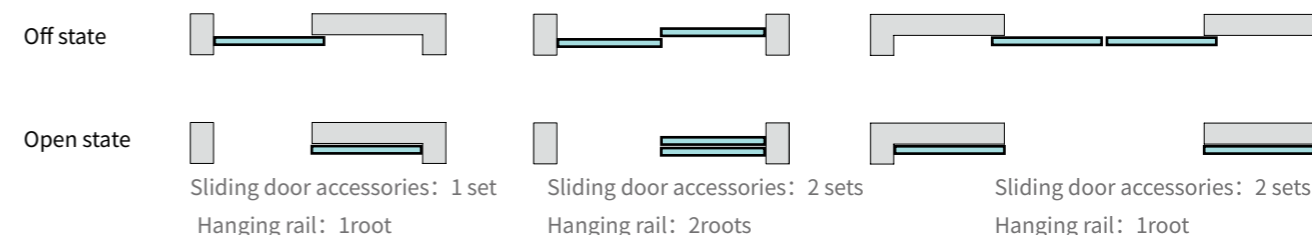
### Sliding door accessories (one door)

Model	Accessories name	Accessories picture	Quantity
KYN15010	Hanging wheel assembly		2pcs
	Positioning parts		2pcs
	Door bottom guide		1pcs

### Matching hanging rail

Model	Picture	Dimensions	Remark
KYN52501			The quantity is determined according to the door fan configuration Length according to the width of the door, need to order

### Common configuration type



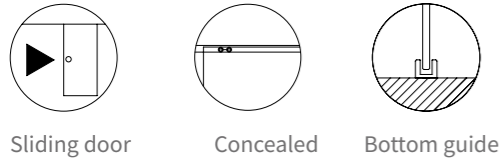
### Supporting products (Optional)

Concealed handle or sliding door lock: 1 set (refer P240-241/P187-188 for details)  
Decorative plates: 1Pcs or 2Pcs (Model KYN12506)

## Concealed glass sliding door KYN11210/KYN11220

Applicable maximum door weight 80Kg

### Sliding door function diagram



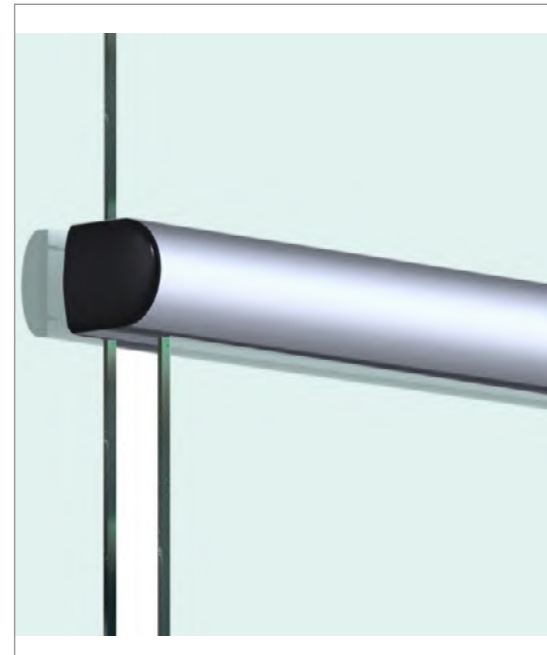
Sliding door    Concealed    Bottom guide

### Technical Parameters

Applicable door weight	≤80Kg
Applicable door thickness	10-12mm
Applicable door width	600-1000mm
Applicable door height	≤2200mm
Applicable door type	All-glass door

### Main Material

Hanging wheel main body	304 stainless steel
Door bottom guide	304 stainless steel
Hanging rail	Aluminum alloy

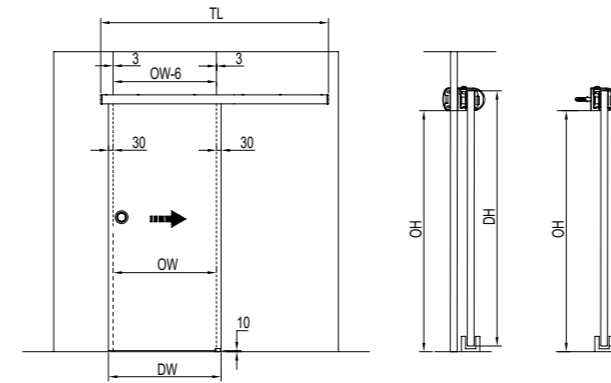


### Standard configuration (Single door)

Model	Accessories name	Accessories picture	Quantity
KYN11210 (Wall mounting)	Hanging rail		2pcs
	Positioning parts		2pcs
	Door bottom guide		1pcs
	Hanging wheel assembly		1pcs

Model	Accessories name	Accessories picture	Quantity
KYN11220 (Glass surface installation)	Hanging rail		2pcs
	Positioning parts		2pcs
	Door bottom guide		1pcs
	Hanging wheel assembly		1pcs

### Installation diagram



### Dimension definition

Door sash width	DW
Door opening width	OW
Door sash height	DH
Door opening height	OH
Hanging rail length	TL

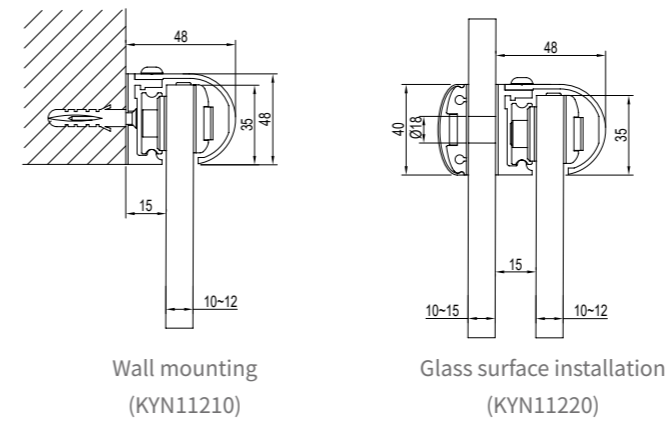
### Calculation formula

$$DH = OH + 25$$

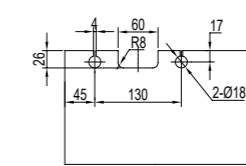
$$DW = OW + 60$$

$$TL \geq 2 \times DW + 100$$

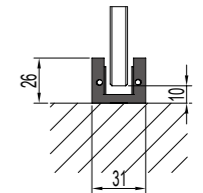
### Installation Diagram for Hanging Rail and Hanging Wheel



### Glass cut out drawing



### Door bottom guide installation diagram



### Hanging rail opening size chart

Installation size	Hanging rail length			
	1600mm	2400mm	3200mm	4000mm
B	30	30	40	50
C	4*350	6*390	8*390	10*390

### Common configuration type



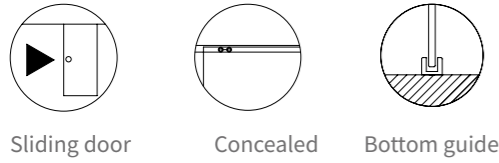
### Supporting products (Optional)

Concealed handle or sliding door lock: 1 set (refer P240-241/P187-188 for details)

## Concealed glass sliding door KYN12210/KYN12220

Applicable maximum door weight 80Kg

### Sliding door function diagram



### Technical Parameters

Applicable door weight	≤80Kg
Applicable door thickness	10-12mm
Applicable door width	600-1000mm
Applicable door height	≤2200mm
Applicable door type	All-glass door

### Main Material

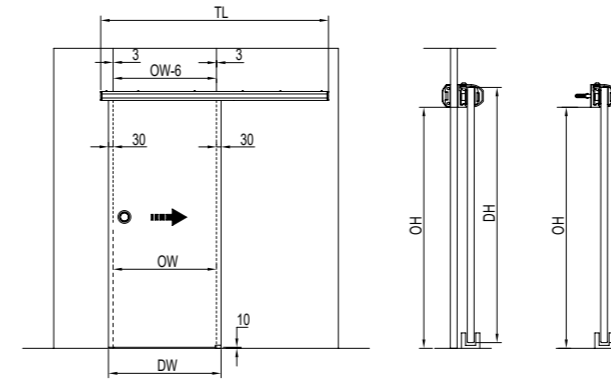
Hanging wheel main body	304 stainless steel
Door bottom guide	304 stainless steel
Hanging rail	Aluminum alloy

### Standard configuration (Single door)

Model	Accessories name	Accessories picture	Quantity
KYN12210 (Wall mounting)	Hanging wheel		2pcs
	Positioning parts		2pcs
	Door bottom guide		1pcs
	Hanging rail assembly		1pcs

Model	Accessories name	Accessories picture	Quantity
KYN12220 (Glass surface installation)	Hanging wheel		2pcs
	Positioning parts		2pcs
	Door bottom guide		1pcs
	Hanging rail assembly		1pcs

### Installation diagram



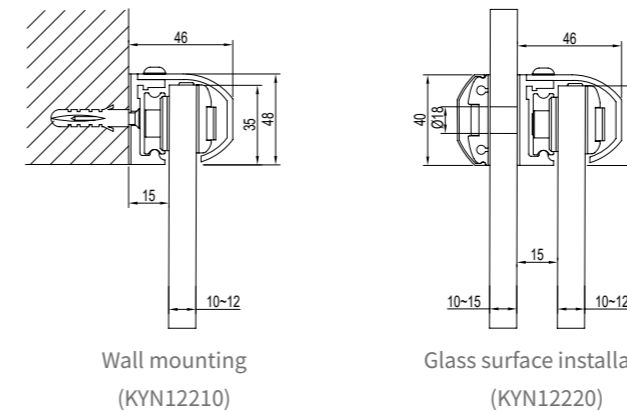
### Dimension definition

Door sash width	DW
Door opening width	OW
Door sash height	DH
Door opening height	OH
Hanging rail length	TL

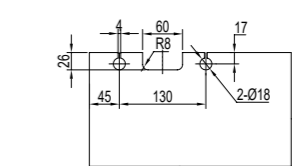
### Calculation formula

$DH=OH+25$
$DW=OW+60$
$TL \geq 2 \times DW + 100$

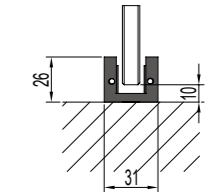
### Installation Diagram for Hanging Rail and Hanging Wheel



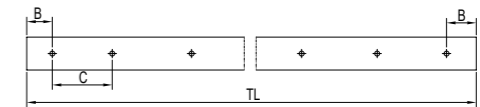
### Glass cut out drawing



### Door bottom guide installation diagram

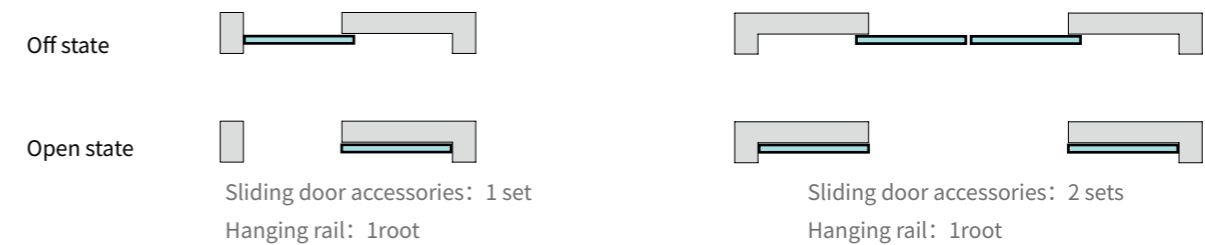


### Hanging rail opening size chart



Installation size	Hanging rail length			
	1600mm	2400mm	3200mm	4000mm
B	30	30	40	50
C	4*350	6*390	8*390	10*390

### Common configuration type



### Supporting products (Optional)

Concealed handle or sliding door lock: 1 set (refer P240-241/P187-188 for details)



# Wood/Metal Frame Sliding Door Accessories



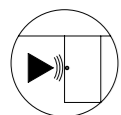
Sliding door

Sliding door

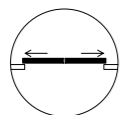
## Wood/MetalFrame Buffer Sliding Door Accessories KYN6322LB

Applicable door weigh 60Kg

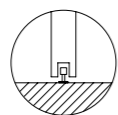
### Sliding door function diagram



Buffer linkage type



Synchronous reverse direction



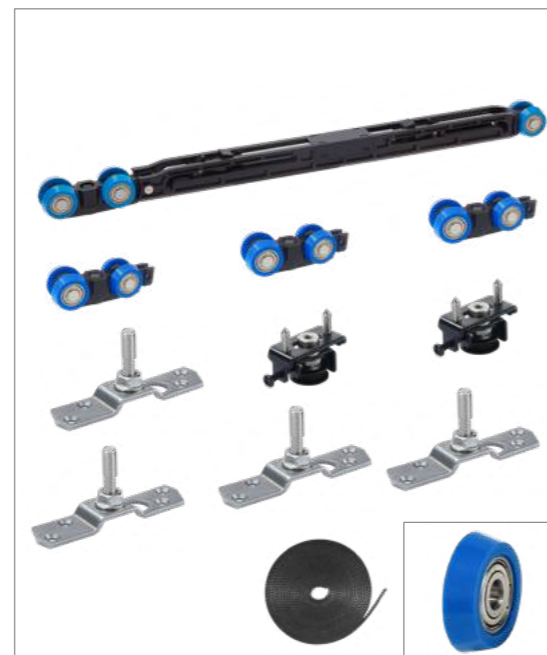
Door bottom guide

### Technical Parameters

door weight	≤60Kg
Applicable door thickness	≥30mm
Applicable door width	≥600mm
Applicable door height	≤2600mm
Height adjustment	±3mm
Buffer type	two-way buffering
Linkage type	Reverse linkage
Applicable door type	Wooden door metal frame door

### Main Material

Hanging wheel main body	Zinc alloy
Hoisting bracket	Stainless Steel
Door bottom guide	Stainless Steel + Nylon
Hanging rail	Aluminum alloy



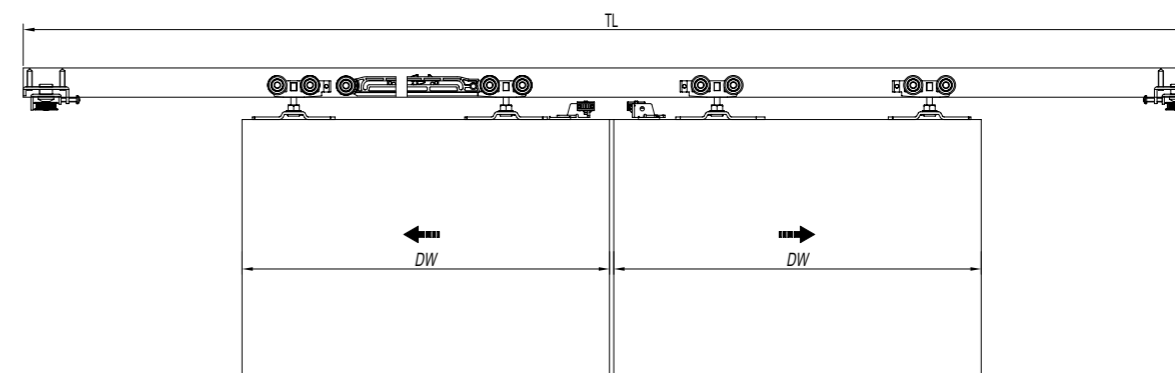
### Standard configuration

Model	Accessory name	Accessory Picture	Quantity	Accessory name	Accessory Picture	Quantity
KYN6322LB	Buffer hanging wheel		1	Hanging wheel		3
	Hoisting bracket		4	Linkage belt fixing clamp		2
	Synchronous pulley fixing assembly		2	Door bottom guide		2
	Buffer block		2	Belt		2

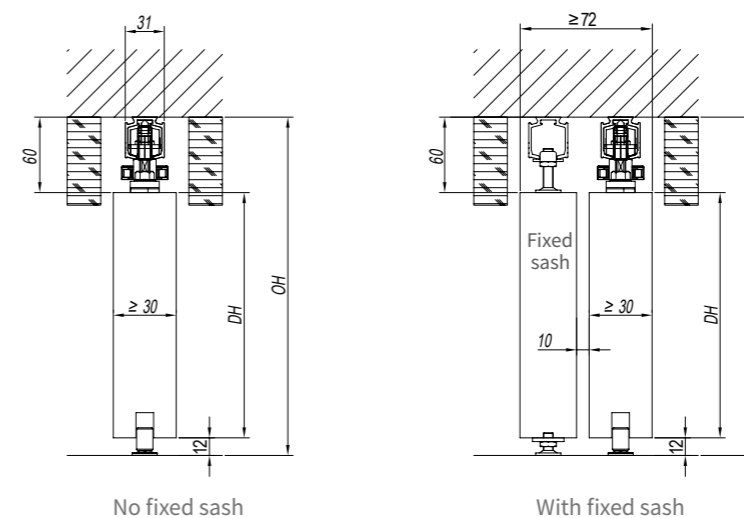
### Matching hanging rail

Model	Product Picture	Dimensions	Remark
KYN91010			The quantity is determined according to the configuration of the door sash The length is calculated according to the width of the door opening and needs to be ordered separately

### Installation diagram



### Installation Diagram for Hanging Rail and Hanging Wheel



### Size explanation

Door sash width	DW
Door opening width	OW
Fixed sash width	FW
Door sash height	DH
Door opening height	OH
Hanging rail length	TL

### Calculation formula

$$DH = OH - 72$$

$$DW = (OW + 20 * 2) / 4$$

$$TL = OW - 5$$

### Common configuration type



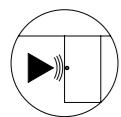
### Supporting products (Optional)

Concealed handle (KLS93502/KLS93504):1set(refer P1241-242 for details)  
Fixed sash accessories(KYN97016):1set(refer P342 for details)

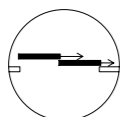
## Wood/MetalFrame Buffer Sliding Door Accessories KYN6321LB

Applicable door weigh 60Kg

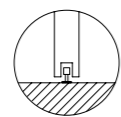
### Sliding door function diagram



Buffer linkage type



Synchronous isotropic



Door bottom guide

### Technical Parameters

door weight	≤60Kg
Applicable door thickness	40-50mm
Applicable door width	≥600mm
Applicable door height	≤2600mm
Height adjustment	±3mm
Buffer type	Two-way buffering
Linkage type	Same direction linkage sliding door
Applicable door type	Wooden door metal frame door

### Main Material

Hanging wheel main body	Zinc alloy
Hoisting bracket	Stainless Steel
Door bottom guide	Stainless Steel + Nylon
Hanging rail	Aluminum alloy

### Standard configuration

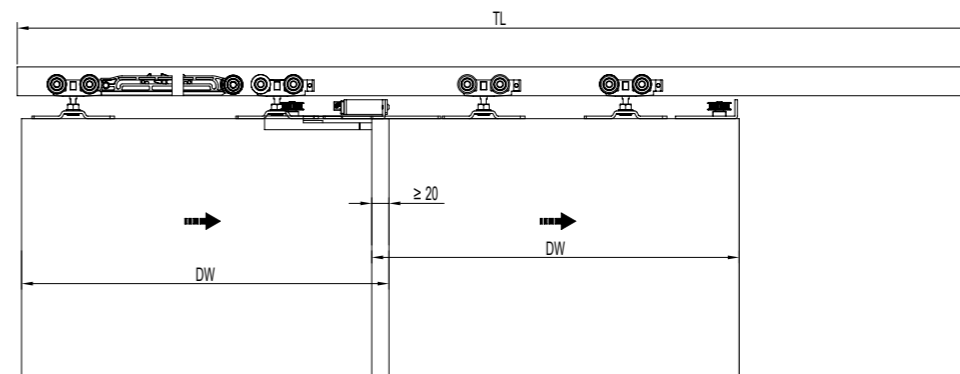
Model	Accessory name	Accessory Picture	Quantity	Accessory name	Accessory Picture	Quantity
KYN6321LB	Buffer hanging wheel		1	Hanging wheel		3
	Hoisting bracket		4	Linkage belt fixing clamp		1
	long guide wheel		1	External linkage guide		1
	Short guide wheel		1	Door bottom guide		1
	Buffer block		2	Belt		1
	Top mounting fixed clamp		1			

### Matching hanging rail

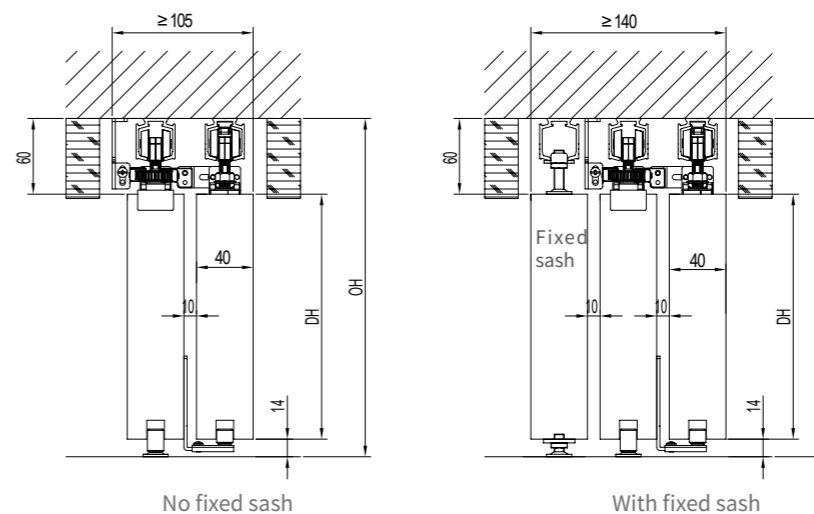
Model	Product Picture	Dimensions	Remark
KYN91010			The quantity is determined according to the configuration of the door leaf The length is calculated according to the width of the door opening and needs to be ordered separately



### Installation diagram



### Installation Diagram for Hanging Rail and Hanging Wheel



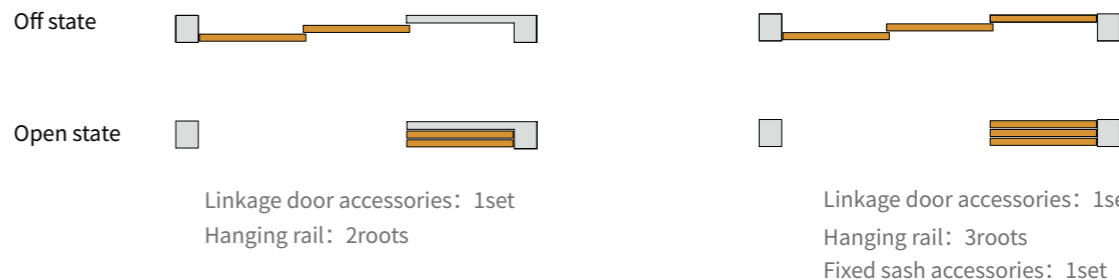
### Size explanation

Door sash width	DW
Door opening width	OW
Fixed sash width	FW
Door sash height	DH
Door opening height	OH
Hanging rail length	TL

### Calculation formula

$DH = OH - 74$   
 $DW = (OW + 20 * 2) / 3$   
 $TL = OW - 5$

### Common configuration type



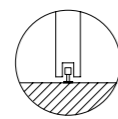
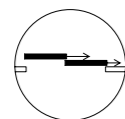
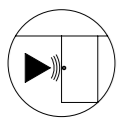
### Supporting products (Optional)

Concealed handle (KLS93502/KLS93504):1set(refer P1241-242 for details)  
 Fixed sash accessories(KYN97016):1set(refer P342 for details)

## Wood/MetalFrame Buffer Sliding Door Accessories KYN6331LB

Applicable door weigh 60Kg

### Sliding door function diagram



Buffer linkage type   Synchronous isotropic   Door bottom guide

### Technical Parameters

door weight	≤60Kg
Applicable door thickness	40-50mm
Applicable door width	≥600mm
Applicable door height	≤2600mm
Height adjustment	±3mm
Buffer type	wo-way buffering
Linkage type	Same direction linkage sliding door
Applicable door type	Wooden door metal frame door

### Main Material

Hanging wheel main body	Zinc alloy
Hoisting bracket	Stainless Steel
Door bottom guide	Stainless Steel + Nylon
Hanging rail	Aluminum alloy

### Standard configuration

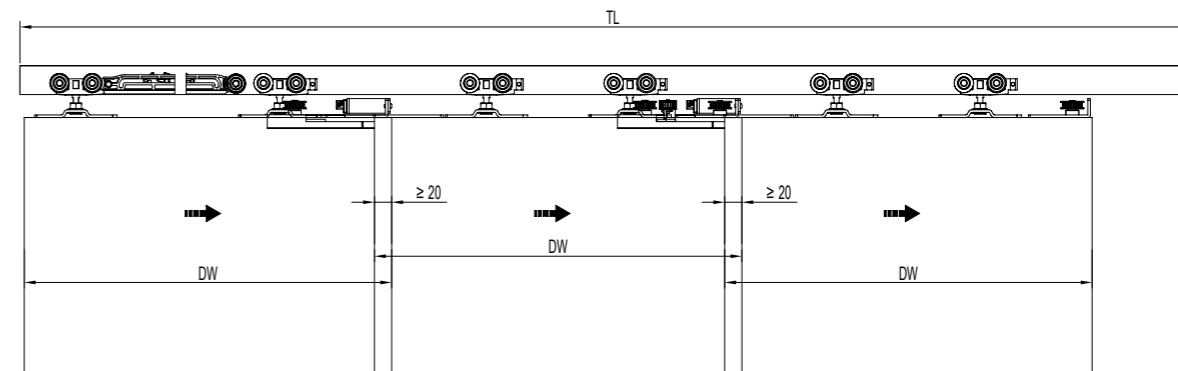
Model	Accessory name	Accessory Picture	Quantity	Accessory name	Accessory Picture	Quantity
KYN6331LB	Buffer hanging wheel		1	Hanging wheel		5
	Hoisting bracket		6	Linkage belt fixing clamp		1
	long guide wheel		2	Z-type Linkage belt fixing clamp		2
	Short guide wheel		2	External linkage guide		2
	Buffer block		2	Door bottom guide		1
	Top mounting fixed clamp		1	Belt		2

### Matching hanging rail

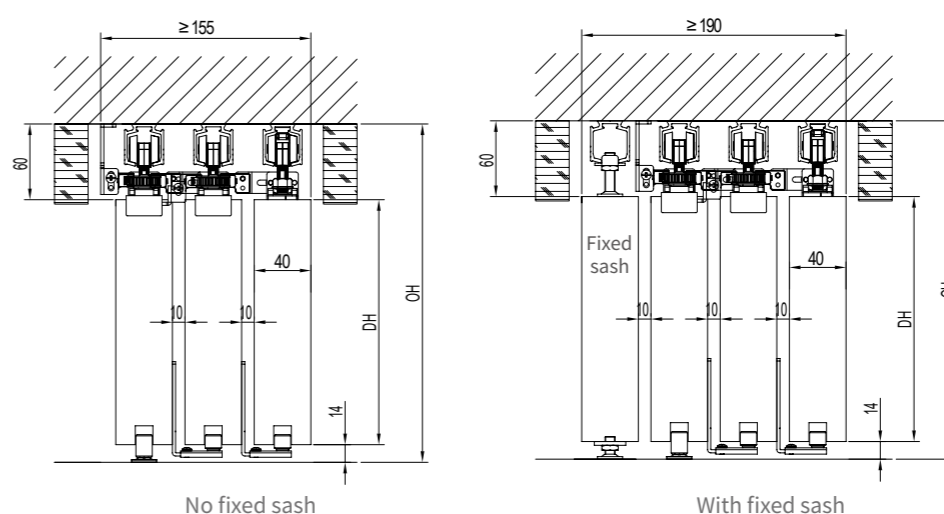
Model	Product Picture	Dimensions	Remark
KYN91010			The quantity is determined according to the configuration of the door leaf The length is calculated according to the width of the door opening and needs to be ordered separately



### Installation diagram



### Installation Diagram for Hanging Rail and Hanging Wheel



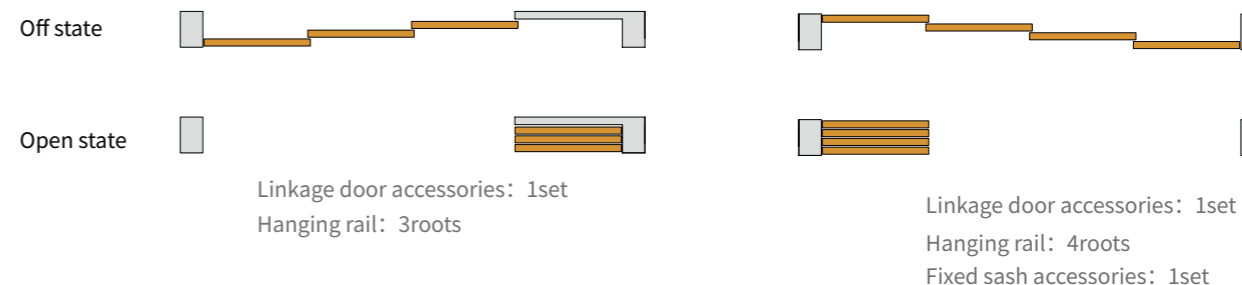
### Size explanation

Door sash width	DW
Door opening width	OW
Fixed sash width	FW
Door sash height	DH
Door opening height	OH
Hanging rail length	TL

### Calculation formula

$DH = OH - 74$   
 $DW = (OW + 20 * 3) / 4$   
 $TL = OW - 5$

### Common configuration type



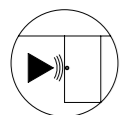
### Supporting products (Optional)

Concealed handle (KLS93502/KLS93504):1set(refer P1241-242 for details)  
 Fixed sash accessories(KYN97016):1set(refer P342 for details)

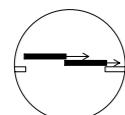
## Wood/MetalFrame Buffer Sliding Door Accessories KYN6421LB

Applicable door weigh 60Kg

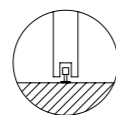
### Sliding door function diagram



Buffer linkage type



Synchronous isotropic



Door bottom guide

### Technical Parameters

door weight	≤60Kg
Applicable door thickness	40-50mm
Applicable door width	≥600mm
Applicable door height	≤2600mm
Height adjustment	±3mm
Buffer type	two-way buffering
Linkage type	Same direction linkage sliding door
Applicable door type	Wooden door metal frame door

### Main Material

Hanging wheel main body	Zinc alloy
Hoisting bracket	Stainless Steel
Door bottom guide	Stainless Steel + Nylon
Hanging rail	Aluminum alloy



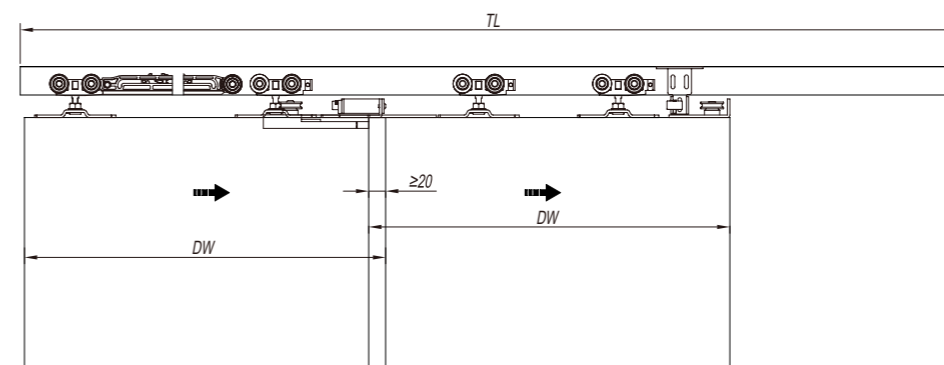
### Standard configuration

Model	Accessory name	Accessory Picture	Quantity	Accessory name	Accessory Picture	Quantity
KYN6421LB	Buffer hanging wheel		1	Hanging wheel		3
	Hoisting bracket		4	Z-type Linkage fixer		1
	long guide wheel		1	External linkage guide		1
	Short guide wheel		1	Door bottom guide		1
	Buffer block		2	Wirerope		1
	Top mounting fixed clamp		1			

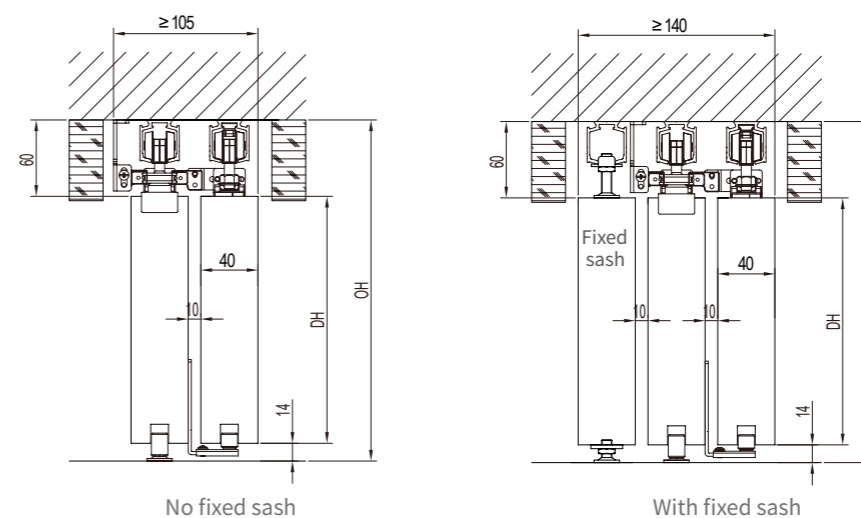
### Matching hanging rail

Model	Product Picture	Dimensions	Remark
KYN91010			The quantity is determined according to the configuration of the door leaf The length is calculated according to the width of the door opening and needs to be ordered separately

### Installation diagram



### Installation Diagram for Hanging Rail and Hanging Wheel



### Size explanation

Door sash width	DW
Door opening width	OW
Fixed sash width	FW
Door sash height	DH
Door opening height	OH
Hanging rail length	TL

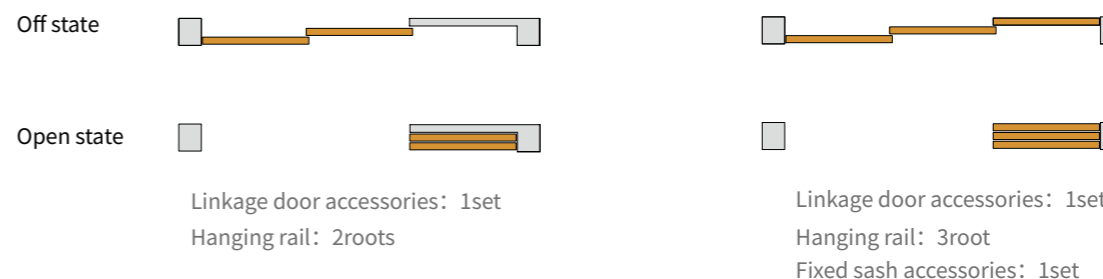
### Calculation formula

$$DH = OH - 74$$

$$DW = (OW + 20 \times 2) / 3$$

$$TL = OW - 5$$

### Common configuration type



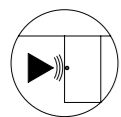
### Supporting products (Optional)

Concealed handle (KLS93502/KLS93504):1set(refer P1241-242 for details)  
Fixed sash accessories(KYN97016):1set(refer P342 for details)

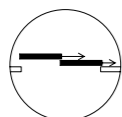
## Wood/MetalFrame Buffer Sliding Door Accessories KYN6431LB

Applicable door weigh 60Kg

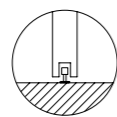
### Sliding door function diagram



Buffer linkage type



Synchronous isotropic



Door bottom guide

### Technical Parameters

Door weight	≤60Kg
Door thickness	40-50mm
Door width	≥600mm
Door height	≤2600mm
Height adjustment	±3mm
Buffer type	Two-way buffering
Linkage type	Same direction Linkage
Applicable door type	Wooden door metal frame door

### Main Material

Hanging wheel main body	Zinc alloy
Hoisting bracket	Stainless Steel
Door bottom guide	Stainless Steel + Nylon
Hanging rail	Aluminum alloy



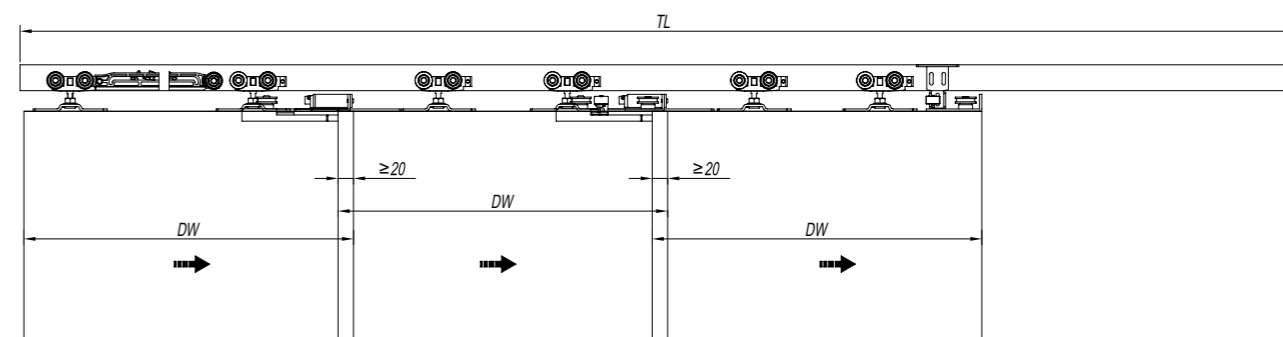
### Standard configuration

Model	Accessory name	Accessory Picture	Quantity	Accessory name	Accessory Picture	Quantity
KYN6431LB	Buffer hanging wheel		1	Hanging wheel		5
	Hoisting bracket		6	Linkage belt clamp		1
	long guide wheel		2	Z-type Linkage belt clamp		2
	Short guide wheel		2	External linkage guide		2
	Buffer block		2	Door bottom guide		1
	Top mounting fixed clamp		1	Wirerope		2

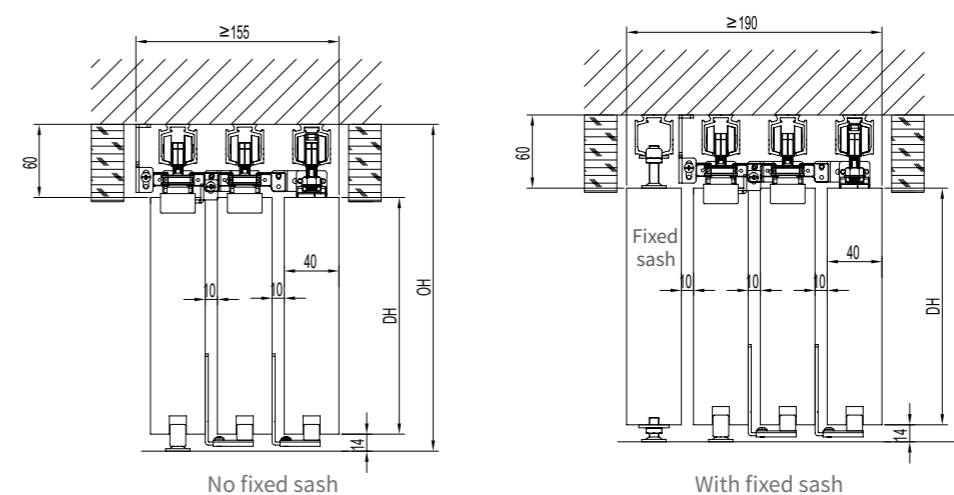
### Matching hanging rail

Model	Product Picture	Dimensions	Remark
KYN91010			The quantity is determined according to the configuration of the door leaf The length is calculated according to the width of the door opening and needs to be ordered separately

### Installation diagram



### Installation Diagram for Hanging Rail and Hanging Wheel



### Size explanation

Door sash width	DW
Door opening width	OW
Fixed sash width	FW
Door sash height	DH
Door opening height	OH
Hanging rail length	TL

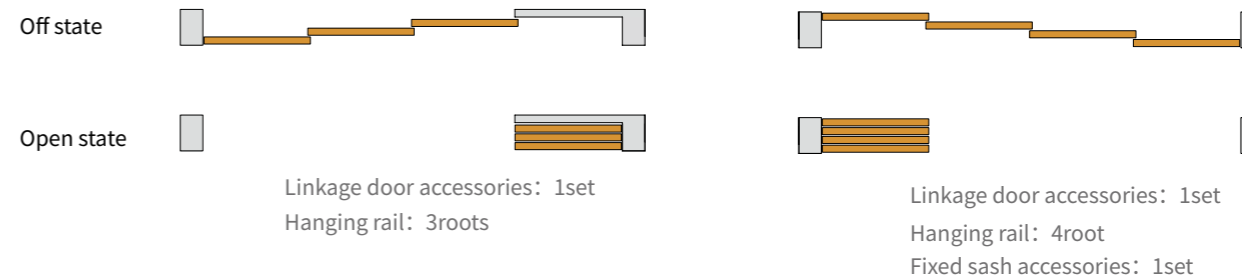
### Calculation formula

$$DH = OH - 74$$

$$DW = (OW + 20 \times 3) / 4$$

$$TL = OW - 5$$

### Common configuration type



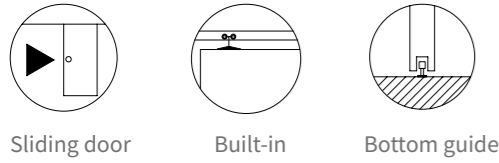
### Supporting products (Optional)

Concealed handle (KLS93502/KLS93504): 1set (refer P1241-242 for details)  
Fixed sash accessories (KYN97016): 1set (refer P342 for details)

## Wood/Metal Frame Sliding Door Accessories KYN8110B

Applicable maximum door weight 60Kg

### Sliding door function diagram

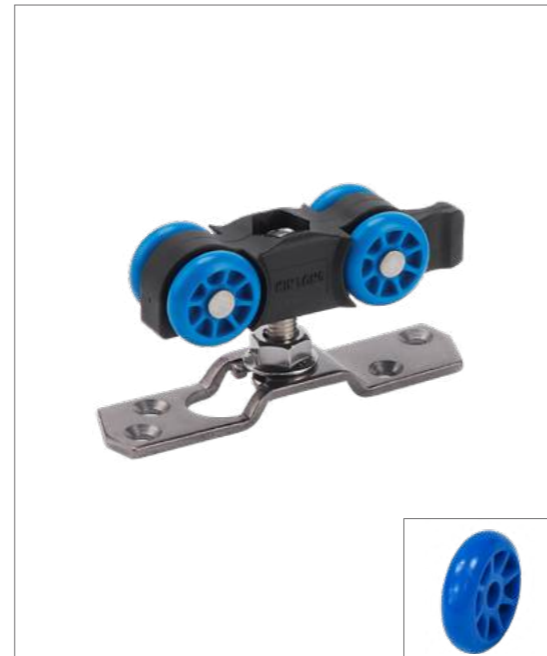


### Technical Parameters

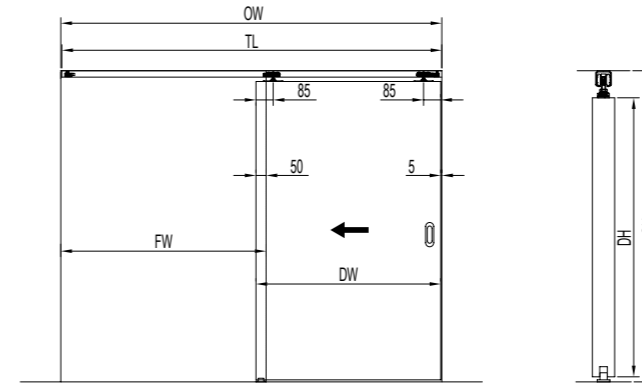
Applicable door weight	≤60Kg
Applicable door thickness	≥30mm
Applicable door height	≤2300mm
Height adjustment	±3mm
Applicable door type	Wooden door Aluminum frame door Metal frame door

### Main Material

Hanging wheel main body	Nylon
Hanging plate	stainless steel
Door bottom guide	Nylon
Hanging rail	Aluminum alloy



### Installation diagram



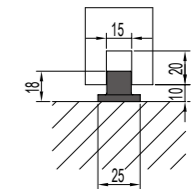
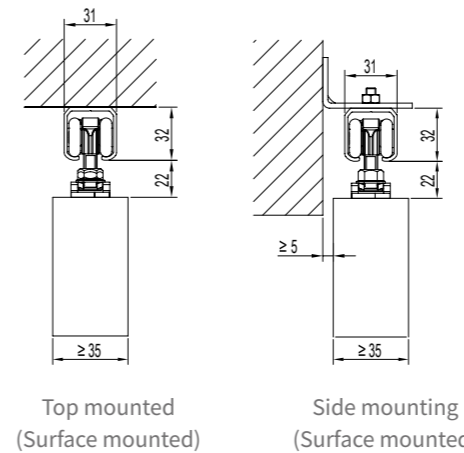
### Dimension definition

Door sash width	DW
Door opening width	OW
Fixed sash width	FW
Door sash height	DH
Door opening height	OH
Hanging rail length	TL

### Calculation formula

DH=OH-64
FW=OW/2+50
DW=FW-55
TL=OW-5

### Installation Diagram for Hanging Rail and Hanging Wheel



Door bottom guide installation diagram

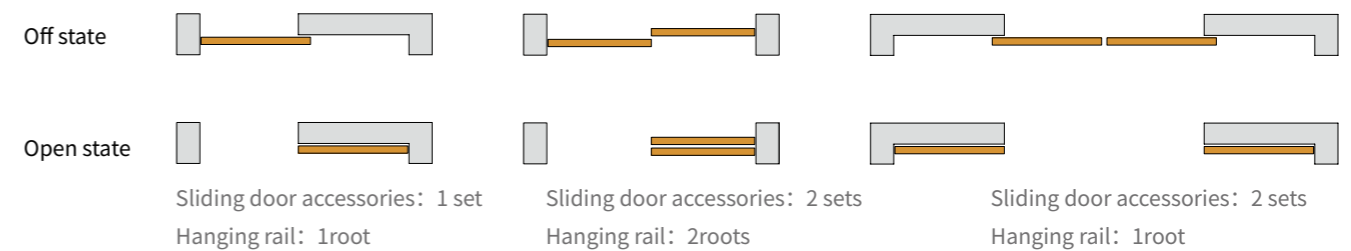
### Sliding door accessories (one door)

Model	Accessories name	Accessories picture	Quantity
KYN8110B	Hanging wheel assembly		2pcs
	Positioning parts		2pcs
	Door bottom guide		1pcs

### Matching hanging rail

Model	Picture	Dimensions	Remark
KYN91012			The quantity is determined according to the configuration of the door sash The length is calculated according to the width of the door opening and needs to be ordered separately

### Common configuration type



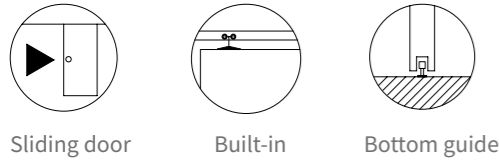
### Supporting products (Optional)

Concealed handle or sliding door lock: 1set(refer P241-245/P197-198 for details)  
Hanging rail side installation assembly(KYN97001):The quantity is determined according to the length of the hanging rail(refer P341 for details)

## Wood/Metal Frame Sliding Door Accessories KYN8210B

Applicable maximum door weight 80Kg

### Sliding door function diagram

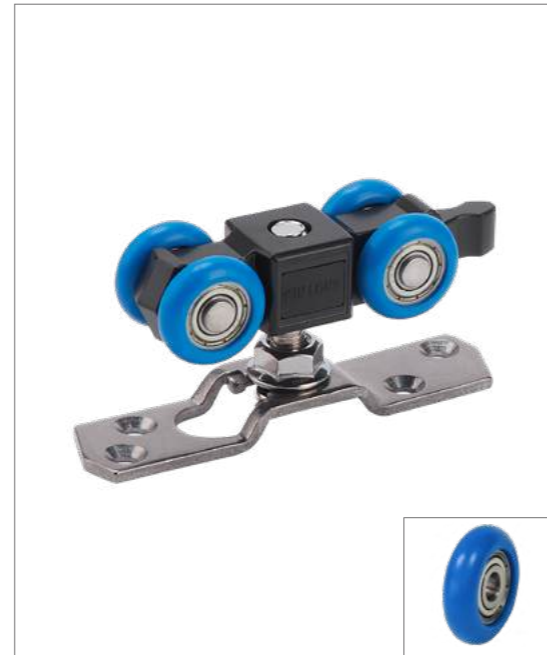


### Technical Parameters

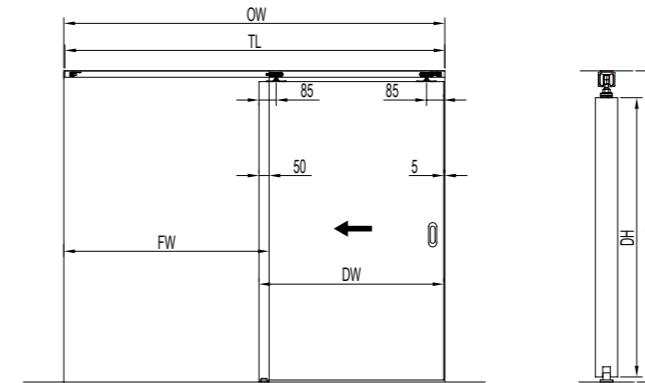
Applicable door weight	≤80Kg
Applicable door thickness	≥30mm
Applicable door height	≤2400mm
Height adjustment	±3mm
Applicable door type	Wooden door Aluminum frame door Metal frame door

### Main Material

Hanging wheel main body	Zinc alloy
Hanging plate	stainless steel
Door bottom guide	Nylon
Hanging rail	Aluminum alloy



### Installation diagram



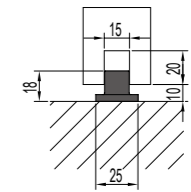
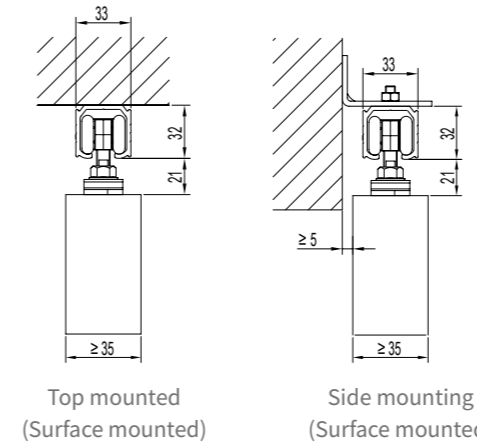
### Dimension definition

Door sash width	DW
Door opening width	OW
Fixed sash width	FW
Door sash height	DH
Door opening height	OH
Hanging rail length	TL

### Calculation formula

DH=OH-63
FW=OW/2+50
DW=FW-55
TL=OW-5

### Installation Diagram for Hanging Rail and Hanging Wheel



Door bottom guide installation diagram

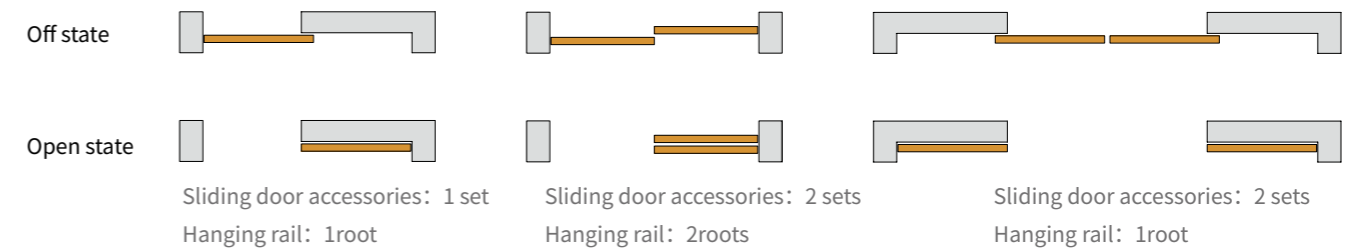
### Sliding door accessories (one door)

Model	Accessories name	Accessories picture	Quantity
KYN8210B	Hanging wheel assembly		2pcs
	Positioning parts		2pcs
	Door bottom guide		1pcs

### Matching hanging rail

Model	Picture	Dimensions	Remark
KYN91005			The quantity is determined according to the configuration of the door sash The length is calculated according to the width of the door opening and needs to be ordered separately

### Common configuration type



### Supporting products (Optional)

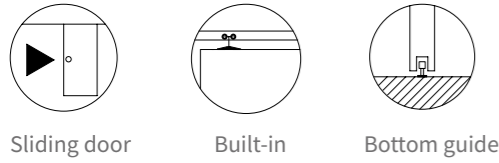
Concealed handle or sliding door lock: 1set(refer P241-245/P197-198 for details)  
Hanging rail side installation assembly(KYN97001):The quantity is determined according to the length of the hanging rail(refer P341 for details)



## Wooden Sliding Door Accessories KYN8120A

Applicable maximum door weight 80Kg

### Sliding door function diagram

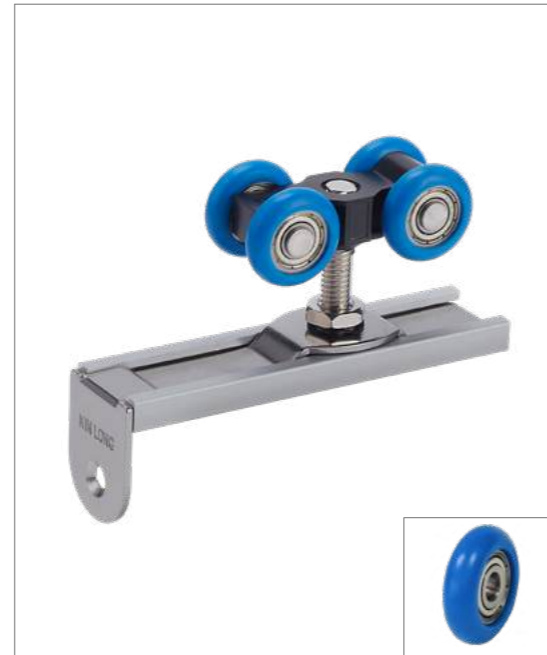


### Technical Parameters

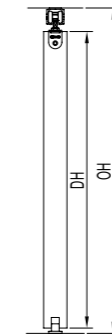
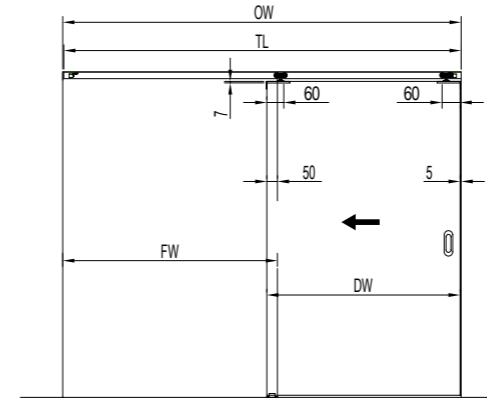
Applicable door weight	≤80Kg
Applicable door thickness	≥30mm
Applicable door height	≤2400mm
Height adjustment	±3mm
Applicable door type	Wooden door

### Main Material

Hanging wheel main body	Zinc alloy
Side mounting bracket	stainless steel
Door bottom guide	Nylon
Hanging rail	Aluminum alloy



### Installation diagram

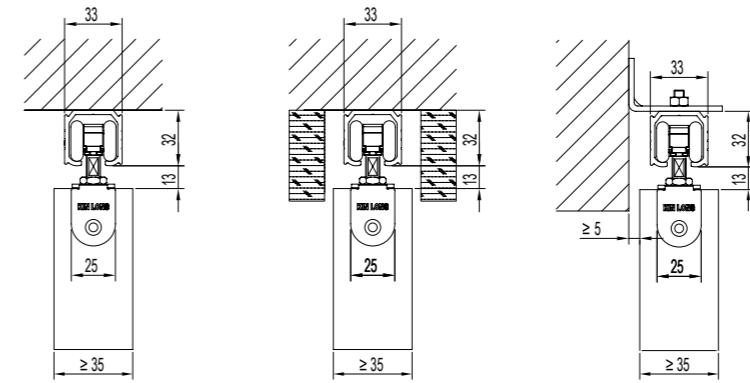


### Dimension definition

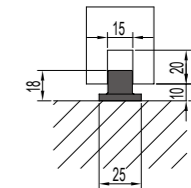
Door sash width	DW
Door opening width	OW
Fixed sash width	FW
Door sash height	DH
Door opening height	OH
Hanging rail length	TL

### Calculation formula

DH=OH-55(Door slotted)
DH=OH-62(Door leaves are not slotted)
FW=OW/2+50
DW=FW-55
TL=OW-5



Top mounted (Surface mounted)    Top mounted (Concealed)    Side mounting (Surface mounted)



Door bottom guide installation diagram

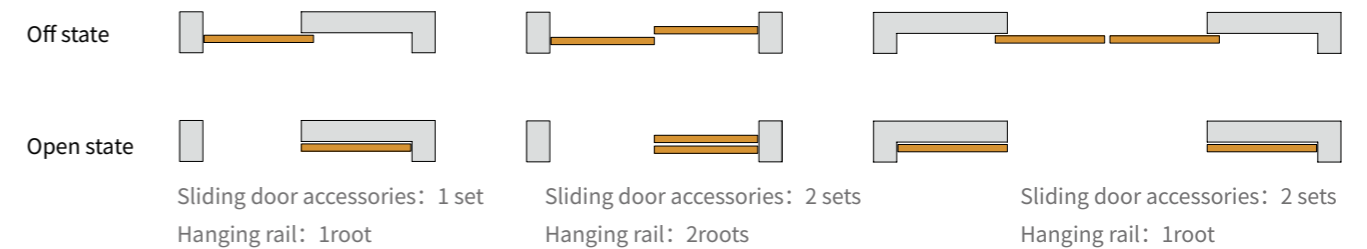
### Sliding door accessories (one door)

Model	Accessories name	Accessories picture	Quantity
KYN8120A	Hanging wheel assembly		2pcs
	Positioning parts		2pcs
	Door bottom guide		1pcs

### Matching hanging rail

Model	Picture	Dimensions	Remark
KYN91005			The quantity is determined according to the configuration of the door sash The length is calculated according to the width of the door opening and needs to be ordered separately

### Common configuration type



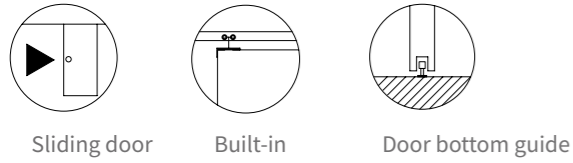
### Supporting products (Optional)

Concealed handle or sliding door lock: 1set(refer P241-245/P197-198 for details)  
Hanging rail side installation assembly(KYN97001):The quantity is determined according to the length of the hanging rail(refer P341 for details)

## wooden sliding door accessories KYN8212A

Applicable door weigh 80Kg

### Sliding door function diagram

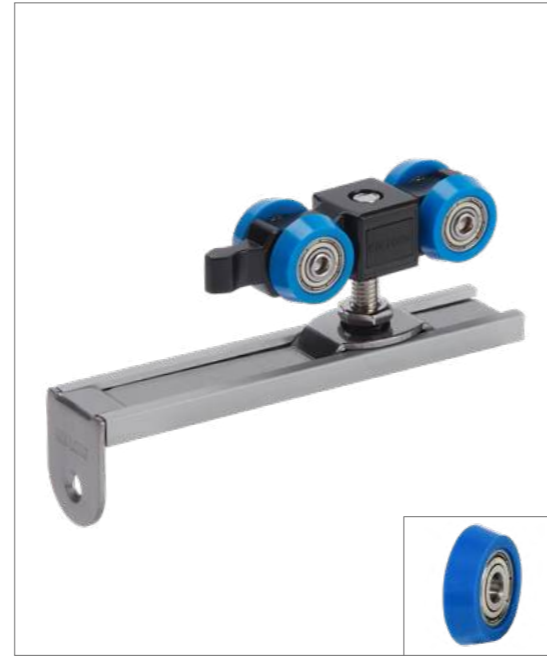


### Technical Parameters

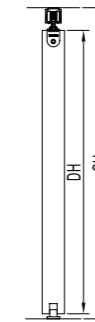
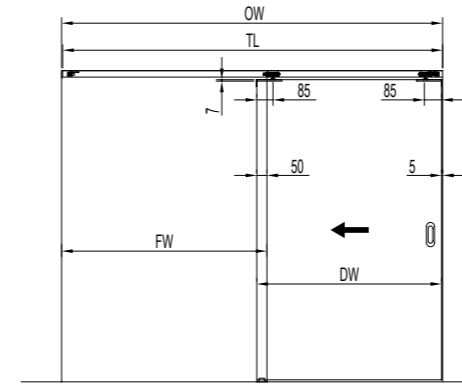
door weight	≤80Kg
Applicable door thickness	≥30mm
Applicable door height	≤2400mm
Height adjustment	±3mm
Applicable door type	Wooden door

### Main Material

Hanging wheel main body	Zinc alloy
Side mounting bracket	Stainless Steel
Fixed plate	Aluminum alloy
Door bottom guide	Nylon
Hanging rail	Aluminum alloy



### Installation diagram



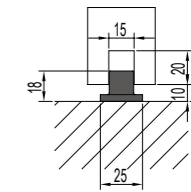
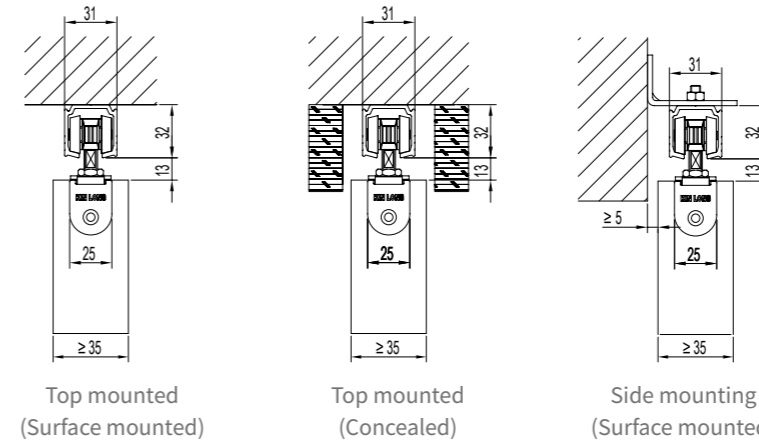
### Size explanation

Door sash width	DW
Door opening width	OW
Fixed sash width	FW
Door sash height	DH
Door opening height	OH
Hanging rail length	TL

### Calculation formula

DH=OH-55 (Slotted installation)
DH=OH-62 (Unslotted installation)
FW=OW/2+50
DW=FW-55
TL=OW-5

### Installation Diagram for Hanging Rail and Hanging Wheel



Door bottom guide installation dimension drawing

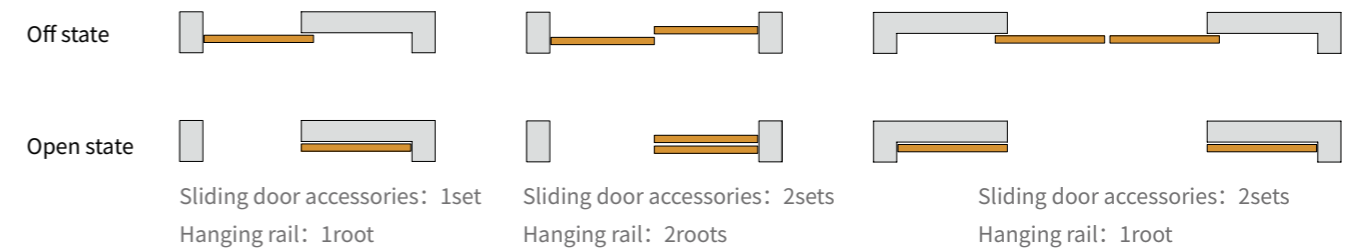
### Sliding door accessories (one door)

Model	Accessories name	Accessories picture	Quantity
KYN8212A	Hanging wheel assembly		2pcs
	Positioning parts		2pcs
	Door bottom guide		1pcs

### Matching hanging rail

Model	Product Picture	Dimensions	Remark
KYN91014			The quantity is determined according to the configuration of the door leaf The length is calculated according to the width of the door opening and needs to be ordered separately

### Common configuration type



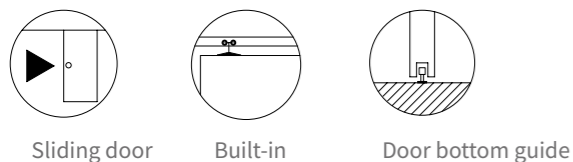
### Supporting products (Optional)

Concealed handle or sliding door lock: 1set(refer P241-245/P197-198 for details)  
Hanging rail side installation assembly(KYN97001):The quantity is determined according to the length of the hanging rail(refer P341 for details)

## Wood/Metal Frame Sliding Door Accessories KYN8212B

Applicable door weigh 80Kg

### Sliding door function diagram



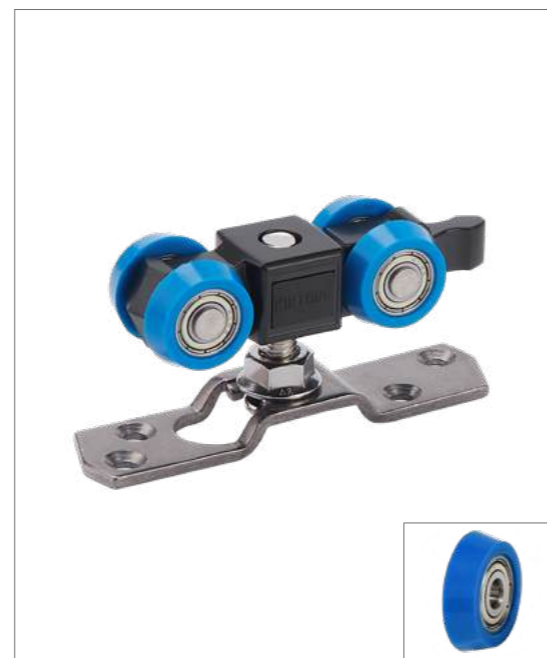
Sliding door Built-in Door bottom guide

### Technical Parameters

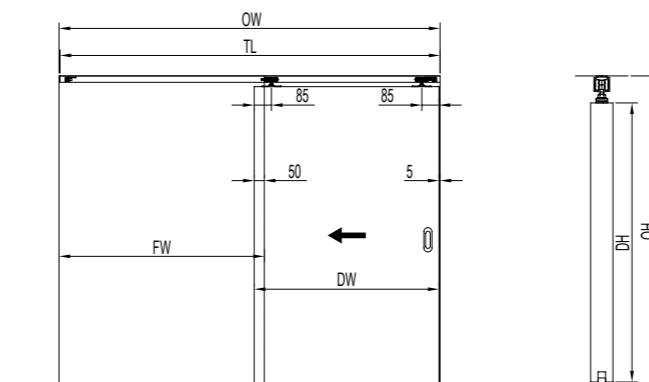
door weight	≤80Kg
Applicable door thickness	≥30mm
Applicable door height	≤2400mm
Height adjustment	±3mm
Applicable door type	Wooden door Aluminum alloy door Metal frame door

### Main Material

Hanging wheel main body	Zinc alloy
Hoisting bracket	Stainless Steel
Door bottom guide	Nylon
Hanging rail	Aluminum alloy



### Installation diagram



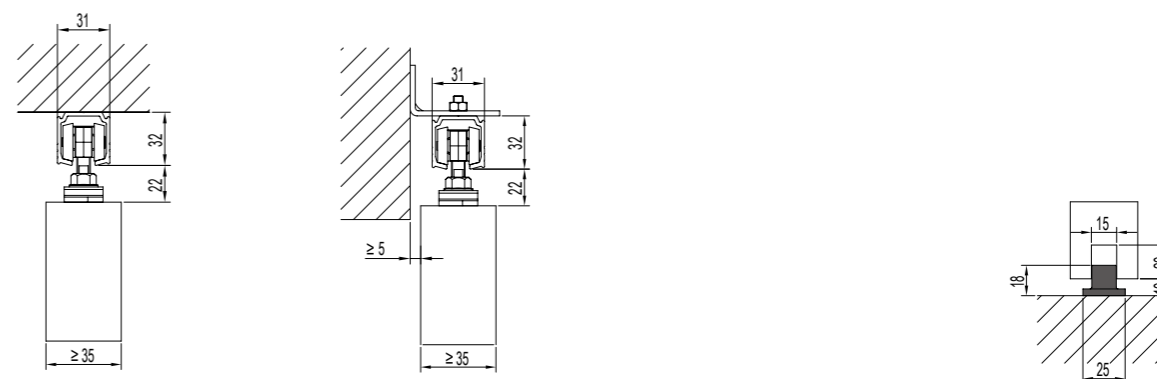
### Size explanation

Door sash width	DW
Door opening width	OW
Fixed sash width	FW
Door sash height	DH
Door opening height	OH
Hanging rail length	TL

### Calculation formula

DH=OH-64
FW=OW/2+50
DW=FW-55
TL=OW-5

### Installation Diagram for Hanging Rail and Hanging Wheel



Top mounted (Surface mounted)

Side mounting (Surface mounted)

Door bottom guide installation dimension drawing

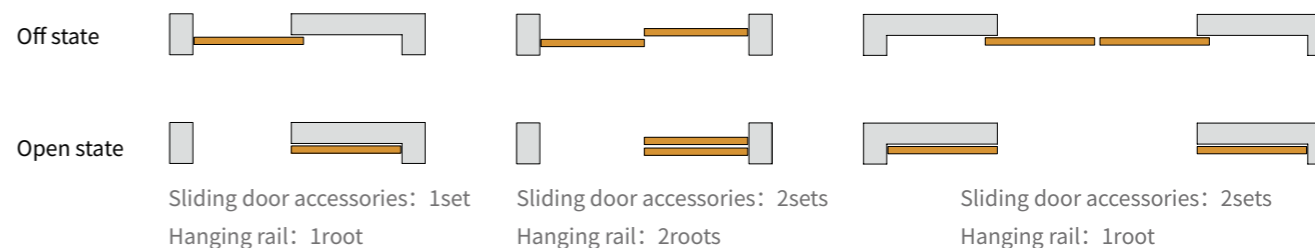
### Sliding door accessories (one door)

Model	Accessories name	Accessories picture	Quantity
KYN8212B	Hanging wheel assembly		2pcs
	Positioning parts		2pcs
	Door bottom guide		1pcs

### Matching hanging rail

Model	Product Picture	Dimensions	Remark
KYN91014			The quantity is determined according to the configuration of the door leaf The length is calculated according to the width of the door opening and needs to be ordered separately

### Common configuration type



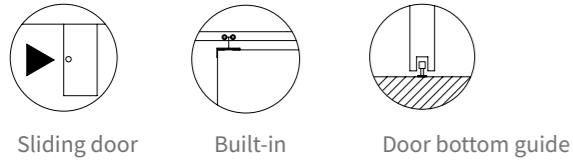
### Supporting products (Optional)

Concealed handle or sliding door lock: 1set(refer P241-245/P197-198 for details)  
Hanging rail side installation assembly(KYN97001):The quantity is determined according to the length of the hanging rail(refer P341 for details)

## Wood/Metal Frame Sliding Door Accessories KYN8212C

Applicable door weigh 80Kg

### Sliding door function diagram



### Technical Parameters

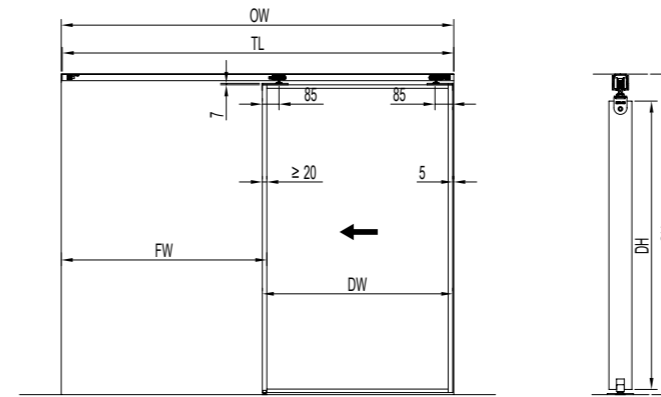
door weight	≤80Kg
Applicable door thickness	≥30mm
Applicable door height	≤2400mm
Height adjustment	±3mm
Applicable door type	Wooden door Aluminum alloy door Metal frame door

### Main Material

Hanging wheel main body	Zinc alloy
Side mounting bracket	Stainless Steel
Fixed plate	Stainless Steel
Door bottom guide	304Stainless Steel + Nylon
Hanging rail	Aluminum alloy



### Installation diagram



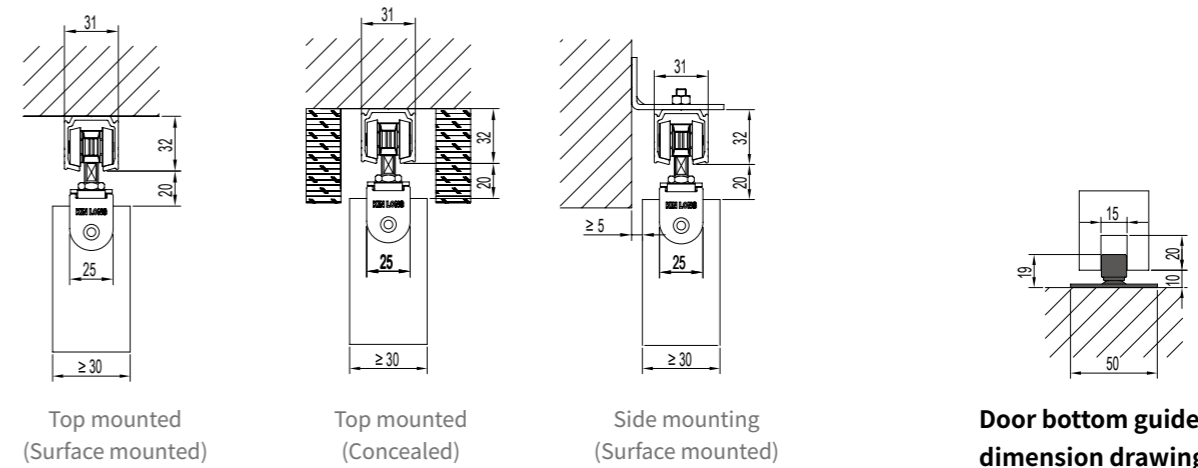
### Size explanation

Door sash width	DW
Door opening width	OW
Fixed sash width	FW
Door sash height	DH
Door opening height	OH
Hanging rail length	TL

### Calculation formula

DH=OH-62
FW=OW/2+20
DW=FW-25
TL=OW-5

### Installation Diagram for Hanging Rail and Hanging Wheel



Door bottom guide installation dimension drawing

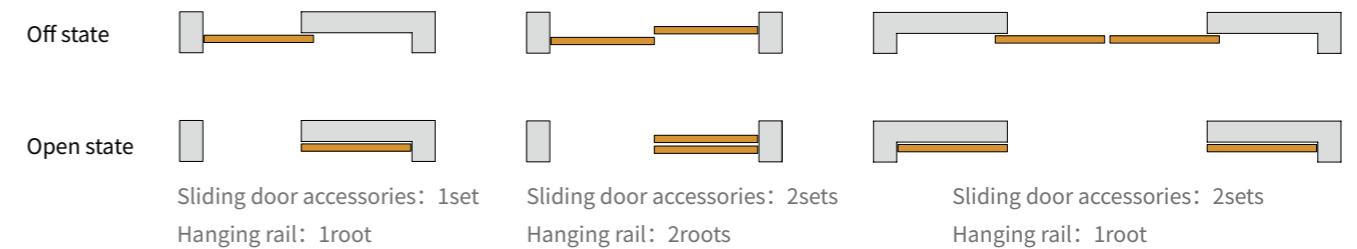
### Sliding door accessories (one door)

Model	Accessories name	Accessories picture	Quantity
KYN8212C	Hanging wheel assembly		2pcs
	Positioning parts		2pcs
	Door bottom guide		1pcs

### Matching hanging rail

Model	Product Picture	Dimensions	Remark
KYN91014			The quantity is determined according to the configuration of the door leaf The length is calculated according to the width of the door opening and needs to be ordered separately

### Common configuration type



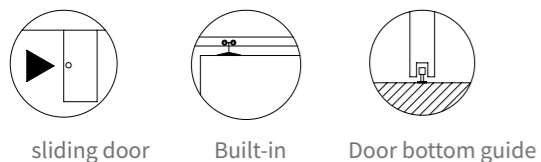
### Supporting products (Optional)

Concealed handle or sliding door lock: 1set(refer P241-245/P197-198 for details)  
Hanging rail side installation assembly(KYN97001):The quantity is determined according to the length of the hanging rail(refer P341 for details)

## wooden sliding door accessories KYN8212K

Applicable door weigh 80Kg

### Sliding door function diagram



### Technical Parameters

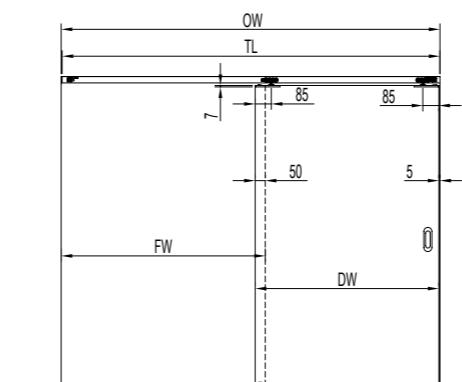
door weight	≤80Kg
Applicable door thickness	≥30mm
Applicable door height	≤2400mm
Height adjustment	±3mm
Applicable door type	Wooden door

### Main Material

Hanging wheel main body	Zinc alloy
Side mounting bracket	Stainless Steel
Fixed plate	Aluminum alloy
Door bottom guide	Nylon
Hanging rail	Aluminum alloy



### Installation diagram



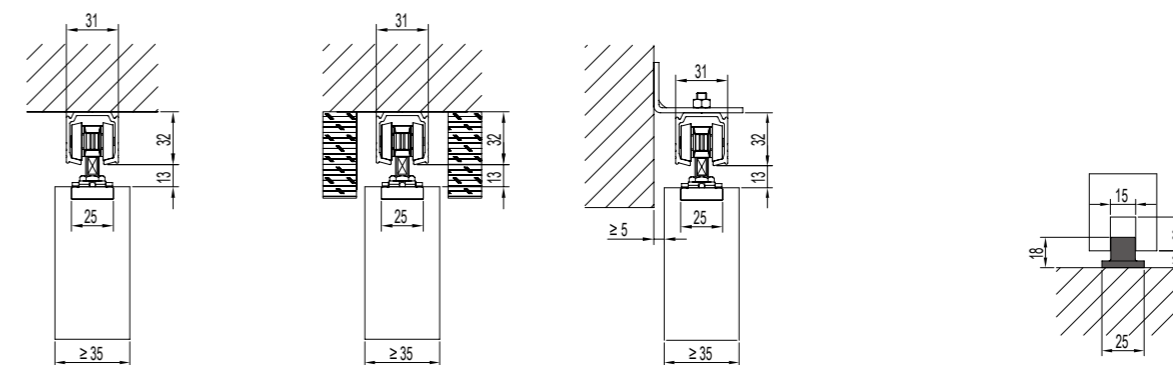
### Size explanation

Door sash width	DW
Door opening width	OW
Fixed sash width	FW
Door sash height	DH
Door opening height	OH
Hanging rail length	TL

### Calculation formula

DH=OH-55(Slotted installation)
DH=OH-62(Unslotted installation)
FW=OW/2+50
DW=FW-55
TL=OW-5

### Installation Diagram for Hanging Rail and Hanging Wheel



Top mounted (Surface mounted)

Top mounted (Concealed)

Side mounting (Surface mounted)

Door bottom guide installation dimension drawing

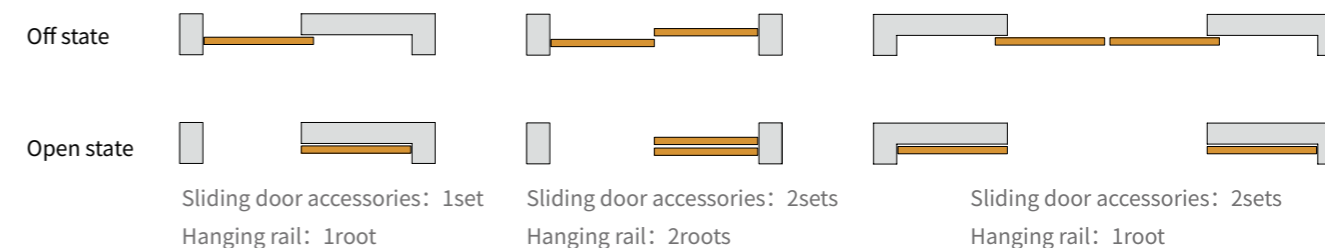
### Sliding door accessories (one door)

Model	Accessories name	Accessories picture	Quantity
KYN8212K	Hanging wheel assembly		2pcs
	Positioning parts		2pcs
	Door bottom guide		1pcs

### Matching hanging rail

Model	Product Picture	Dimensions	Remark
KYN91014			The quantity is determined according to the configuration of the door leaf The length is calculated according to the width of the door opening and needs to be ordered separately

### Common configuration type



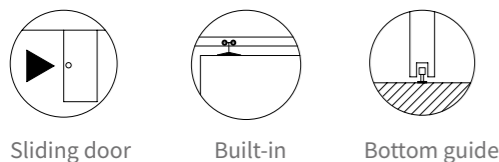
### Supporting products (Optional)

Concealed handle or sliding door lock: 1set(refer P241-245/P197-198 for details)  
Hanging rail side installation assembly(KYN97001):The quantity is determined according to the length of the hanging rail(refer P341 for details)

## Wood/Metal Frame Sliding Door Accessories KYN8310B

Applicable maximum door weight 100Kg

### Sliding door function diagram

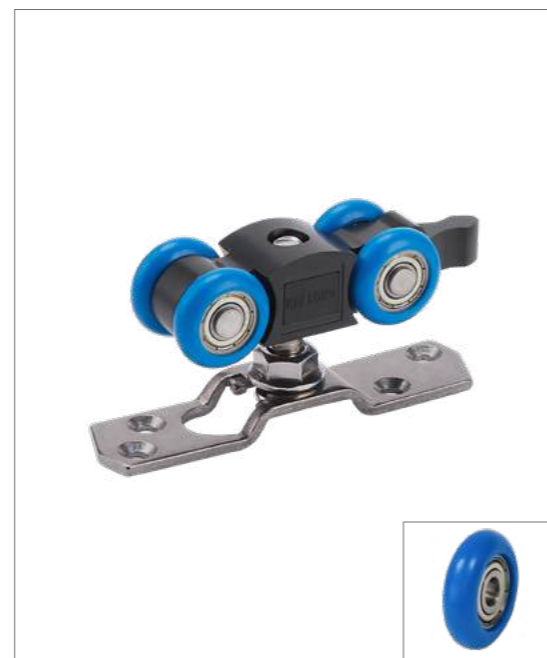


### Technical Parameters

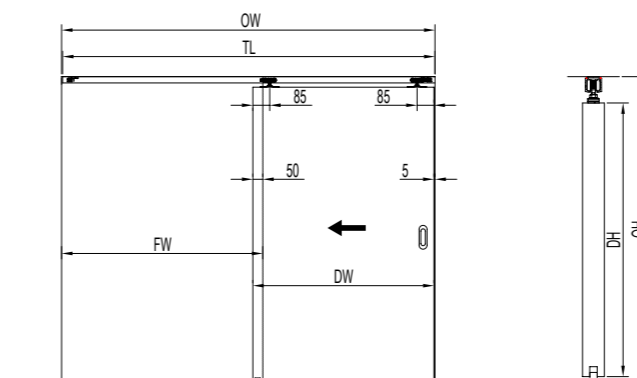
Applicable door weight	≤100Kg
Applicable door thickness	≥30mm
Applicable door height	≤2500mm
Height adjustment	±3mm
Applicable door type	Wooden door Aluminum frame door Metal frame door

### Main Material

Hanging wheel main body	Zinc alloy
Hanging plate	stainless steel
Door bottom guide	Nylon
Hanging rail	Aluminum alloy



### Installation diagram



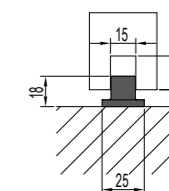
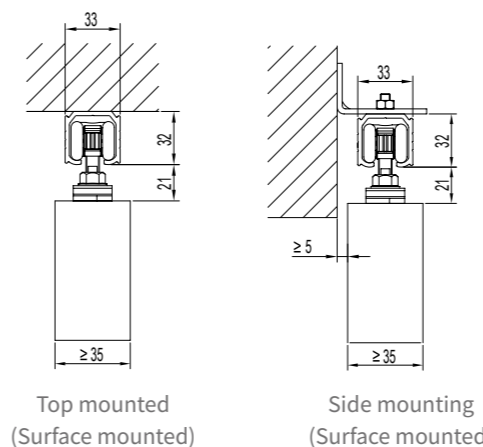
### Dimension definition

Door sash width	DW
Door opening width	OW
Fixed sash width	FW
Door sash height	DH
Door opening height	OH
Hanging rail length	TL

### Calculation formula

DH=OH-63
FW=OW/2+50
DW=FW-55
TL=OW-5

### Installation Diagram for Hanging Rail and Hanging Wheel



Door bottom guide installation diagram

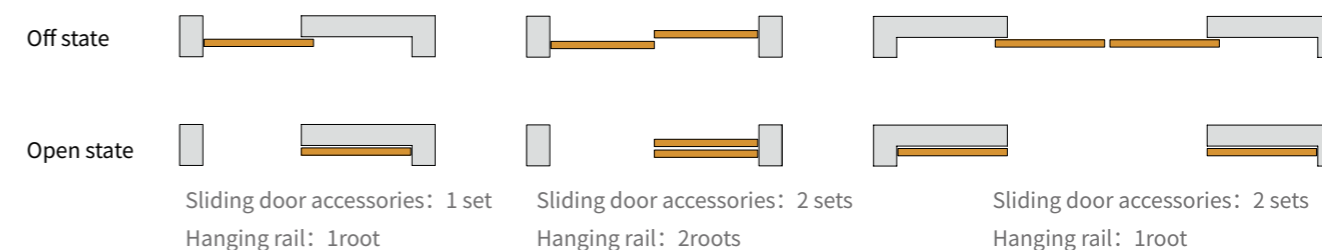
### Sliding door accessories (one door)

Model	Accessories name	Accessories picture	Quantity
KYN8310B	Hanging wheel assembly		2pcs
	Positioning parts		2pcs
	Door bottom guide		1pcs

### Matching hanging rail

Model	Picture	Dimensions	Remark
KYN91005			The quantity is determined according to the configuration of the door sash The length is calculated according to the width of the door opening and needs to be ordered separately

### Common configuration type



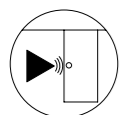
### Supporting products (Optional)

Concealed handle or sliding door lock: 1set(refer P241-245/P197-198 for details)  
Hanging rail side installation assembly(KYN97001):The quantity is determined according to the length of the hanging rail(refer P341 for details)

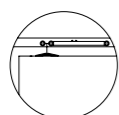
## Wood Buffer Sliding Door accessories KYN8210HA

Applicable door weigh 80Kg

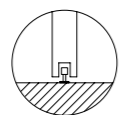
### Sliding door function diagram



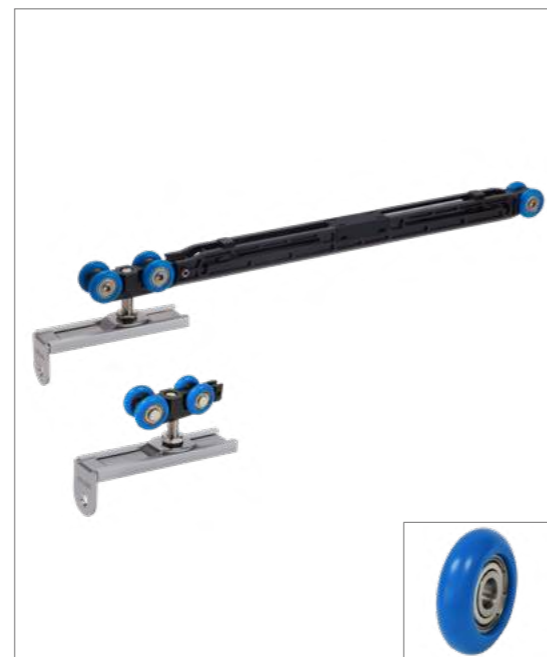
Buffer Sliding Door



Built-in



Door bottom guide



### Technical Parameters

door weight	≤80Kg
Applicable door thickness	≥30mm
Applicable door width	≥520mm
Applicable door height	≤2400mm
Height adjustment	±3mm
Buffer type	Two-way buffering
Applicable door type	Wooden door

### Main Material

Hanging wheel main body	Zinc alloy
Side mounting bracket	Stainless Steel
Fixed plate	Aluminum alloy
Door bottom guide	Nylon
Hanging rail	Aluminum alloy

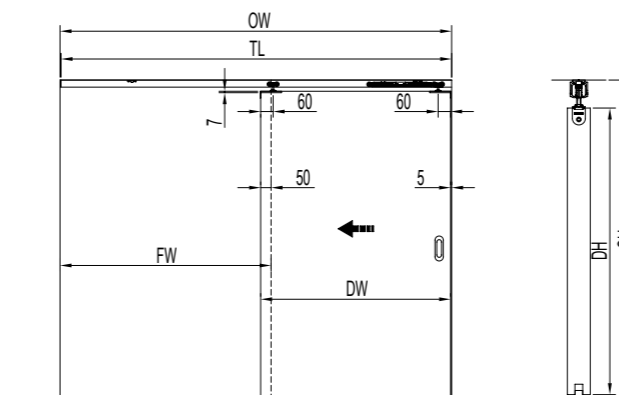
### Sliding door accessories (one door)

Model	Accessories name	Accessories picture	Quantity
KYN8210HA	Buffer hanging wheel assembly		1pcs
	Hanging wheel assembly		1pcs
	Buffer block		2pcs
	Door bottom guide		1pcs

### Matching hanging rail

Model	Product Picture	Dimensions	Remark
KYN91013			The quantity is determined according to the configuration of the door leaf The length is calculated according to the width of the door opening and needs to be ordered separately

### Installation diagram



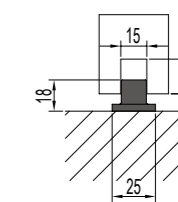
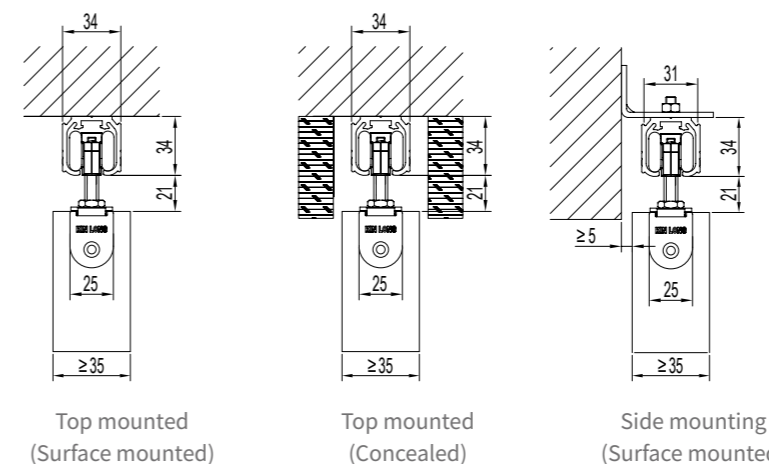
### Size explanation

Door sash width	DW
Door opening width	OW
Fixed sash width	FW
Door sash height	DH
Door opening height	OH
Hanging rail length	TL

### Calculation formula

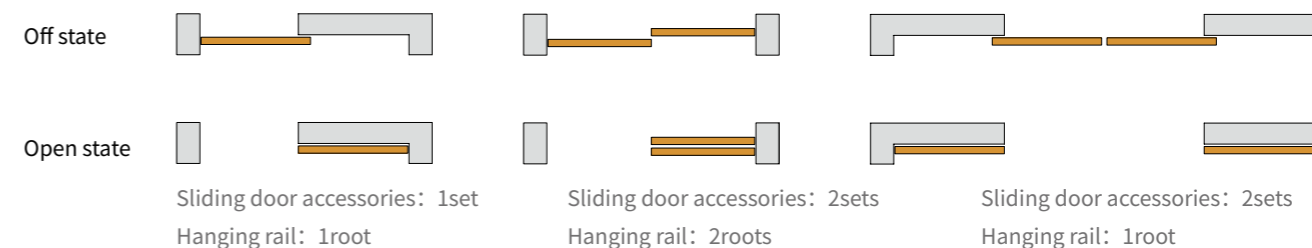
DH=OH-65(Slotted installation)
DH=OH-72(Unslotted installation)
FW=OW/2+50
DW=FW-55
TL=OW-5

### Installation Diagram for Hanging Rail and Hanging Wheel



Door bottom guide installation dimension drawing

### Common configuration type



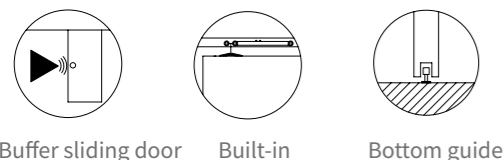
### Supporting products (Optional)

Concealed handle or sliding door lock: 1set(refer P241-245/P197-198 for details)  
Hanging rail side installation assembly(KYN97001):The quantity is determined according to the length of the hanging rail(refer P341 for details)

## Wood/Metal Frame Buffer Sliding Door Accessories KYN8210HB

Applicable maximum door weight 80Kg

### Sliding door function diagram



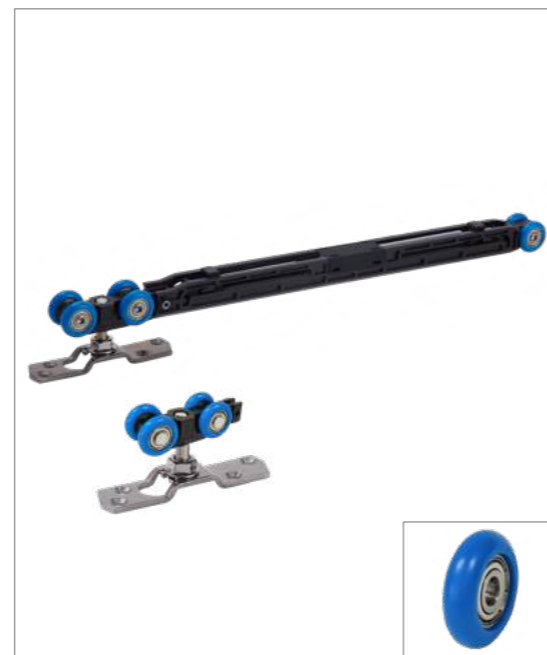
Buffer sliding door    Built-in    Bottom guide

### Technical Parameters

Applicable door weight	≤80Kg
Applicable door thickness	≥30mm
Applicable door width	≥520mm
Applicable door height	≤2400mm
Height adjustment	±3mm
Buffer type	Two-way buffering
Applicable door type	Wooden door Aluminum frame door Metal frame door

### Main Material

Hanging wheel main body	Zinc alloy
Hanging plate	304stainless steel
Door bottom guide	Nylon
Hanging rail	Aluminum alloy



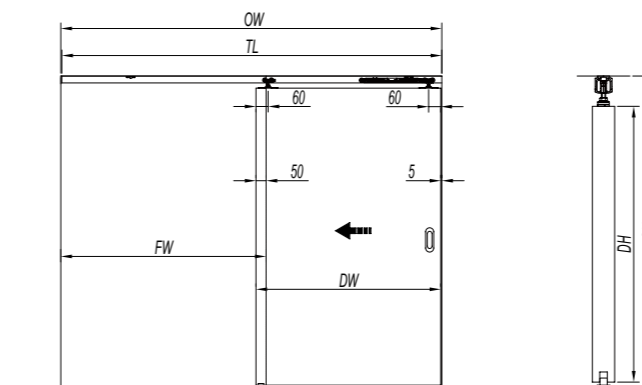
### Sliding door accessories (one door)

Model	Accessories name	Accessories picture	Quantity
KYN8210HB	Buffer hanging wheel assembly		1pcs
	Hanging wheel assembly		1pcs
	Buffer block		2pcs
	Door bottom guide		1pcs

### Matching hanging rail

Model	Picture	Dimensions	Remark
KYN91013			The quantity is determined according to the configuration of the door sash The length is calculated according to the width of the door opening and needs to be ordered separately

### Installation diagram



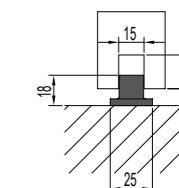
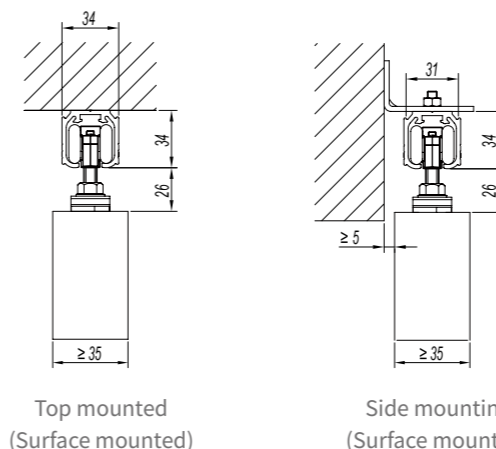
### Dimension definition

Door sash width	DW
Door opening width	OW
Fixed sash width	FW
Door sash height	DH
Door opening height	OH
Hanging rail length	TL

### Calculation formula

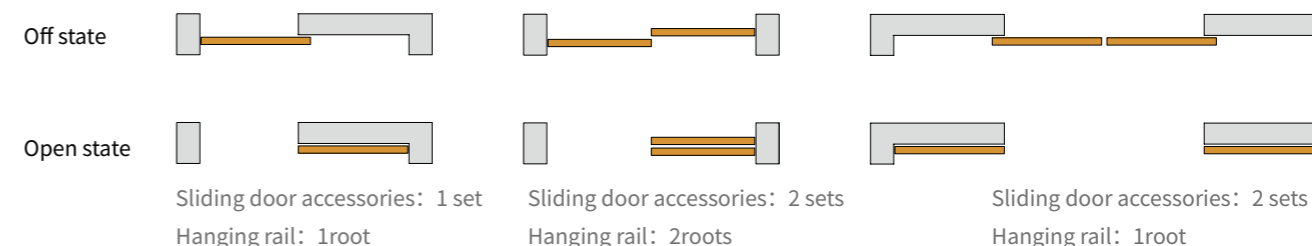
DH=OH-70
FW=OW/2+50
DW=FW-55
TL=OW-5

### Installation Diagram for Hanging Rail and Hanging Wheel



Door bottom guide installation diagram

### Common configuration type



### Supporting products (Optional)

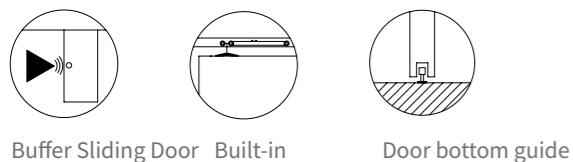
Concealed handle or sliding door lock: 1set(refer P241-245/P197-198 for details)  
Hanging rail side installation assembly(KYN97001):The quantity is determined according to the length of the hanging rail(refer P341 for details)



## Wood Buffer Sliding Dooraccessories KYN8220HA

Applicable door weigh 80Kg

### Sliding door function diagram

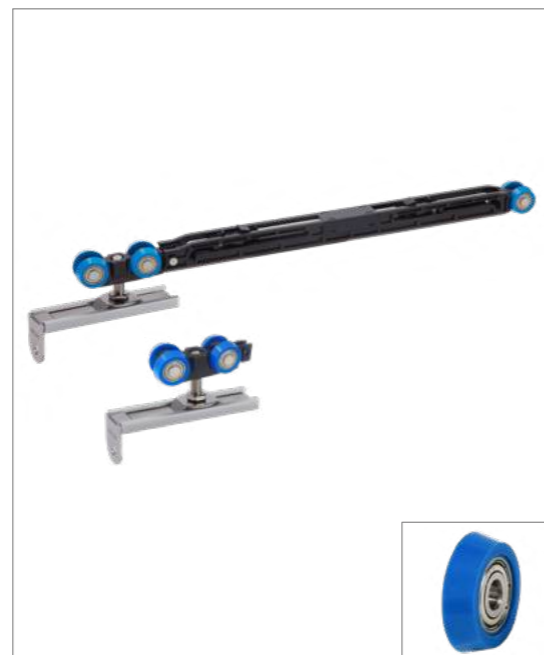


### Technical Parameters

door weight	≤80Kg
Applicable door thickness	≥30mm
Applicable door width	≥520mm
Applicable door height	≤2400mm
Height adjustment	±3mm
Buffer type	two-way buffering
Applicable door type	Wooden door

### Main Material

Hanging wheel main body	Zinc alloy
Side mounting bracket	Stainless Steel
Fixed plate	Aluminum alloy
Door bottom guide	Nylon
Hanging rail	Aluminum alloy



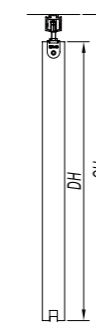
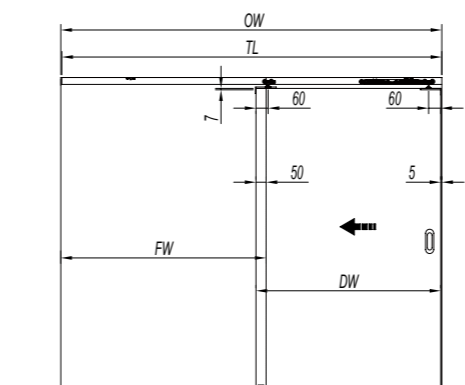
### Sliding door accessories (one door)

Model	Accessories name	Accessories picture	Quantity
KYN8220HA	Buffer hanging wheel assembly		1pcs
	Hanging wheel assembly		1pcs
	Buffer block		2pcs
	Door bottom guide		1pcs

### Matching hanging rail

Model	Product Picture	Dimensions	Remark
KYN91010			The quantity is determined according to the configuration of the door leaf The length is calculated according to the width of the door opening and needs to be ordered separately

### Installation diagram



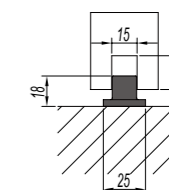
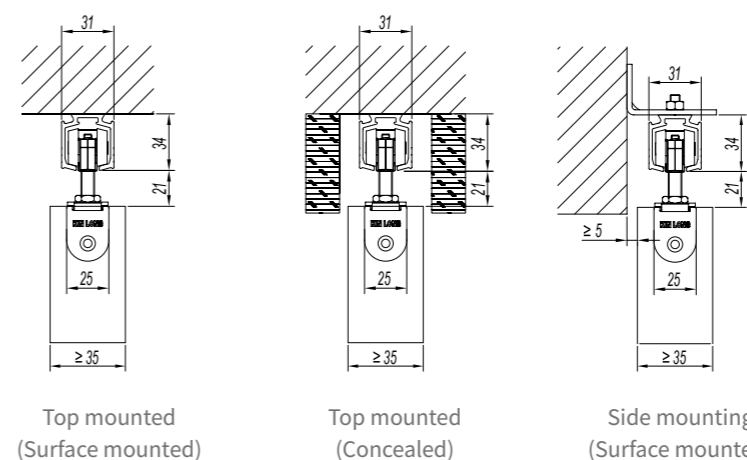
### Size explanation

Door sash width	DW
Door opening width	OW
Fixed sash width	FW
Door sash height	DH
Door opening height	OH
Hanging rail length	TL

### Calculation formula

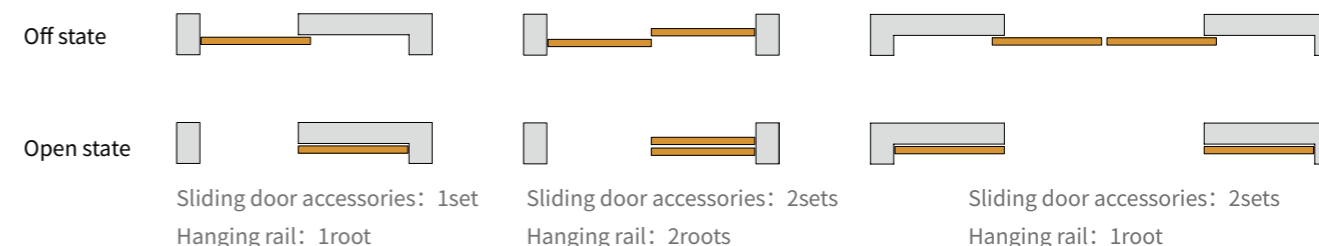
DH=OH-65(Slotted installation)
DH=OH-72(Unslotted installation)
FW=OW/2+50
DW=FW-55
TL=OW-5

### Installation Diagram for Hanging Rail and Hanging Wheel



Door bottom guide installation dimension drawing

### Common configuration type



### Supporting products (Optional)

Concealed handle or sliding door lock: 1set(refer P241-245/P197-198 for details)  
Hanging rail side installation assembly(KYN97001):The quantity is determined according to the length of the hanging rail(refer P341 for details)

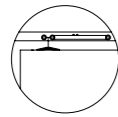
## Wood/Metal Frame Buffer Sliding Door Accessories KYN8220HB

Applicable door weigh 80Kg

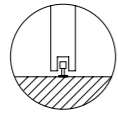
### Sliding door function diagram



Buffer Sliding Door



Built-in



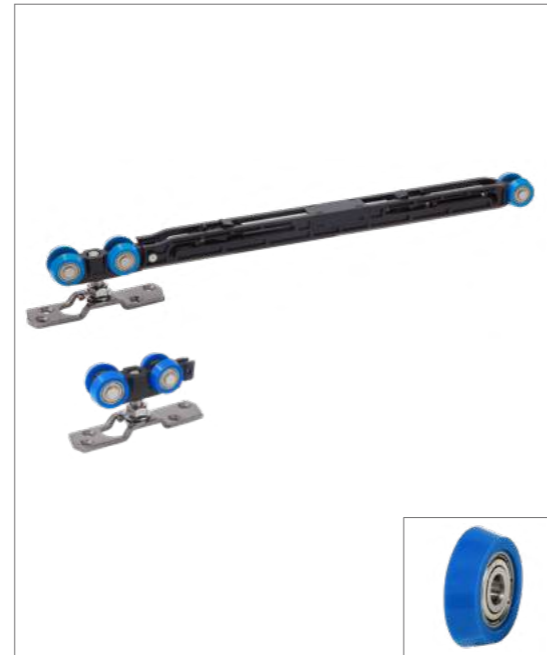
Door bottom guide

### Technical Parameters

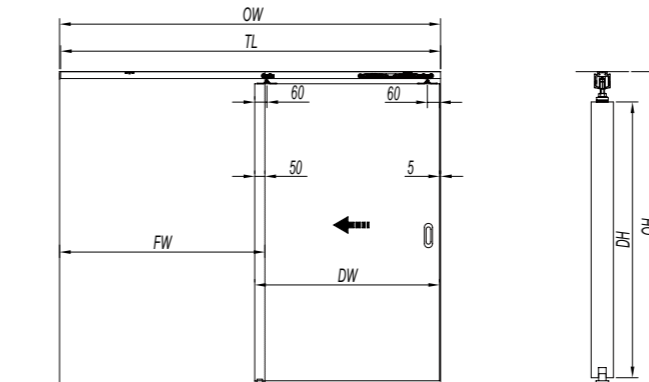
door weight	≤80Kg
Applicable door thickness	≥30mm
Applicable door width	≥520mm
Applicable door height	≤2400mm
Height adjustment	±3mm
Buffer type	two-way buffering
Applicable door type	Wooden door、Aluminum alloy door、metal frame door

### Main Material

Hanging wheel main body	Zinc alloy
Hoisting bracket	Stainless Steel
Door bottom guide	Nylon
Hanging rail	Aluminum alloy



### Installation diagram

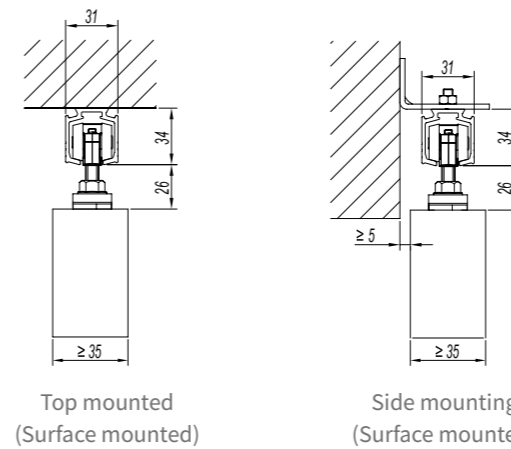


### Size explanation

Door sash width	DW	DH=OH-70
Door opening width	OW	FW=OW/2+50
Fixed sash width	FW	DW=FW-55
Door sash height	DH	TL=OW-5
Door opening height	OH	
Hanging rail length	TL	

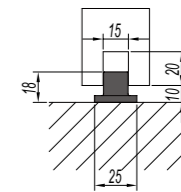
### Calculation formula

### Installation Diagram for Hanging Rail and Hanging Wheel



Top mounted  
(Surface mounted)

Side mounting  
(Surface mounted)



Door bottom guide installation  
dimension drawing

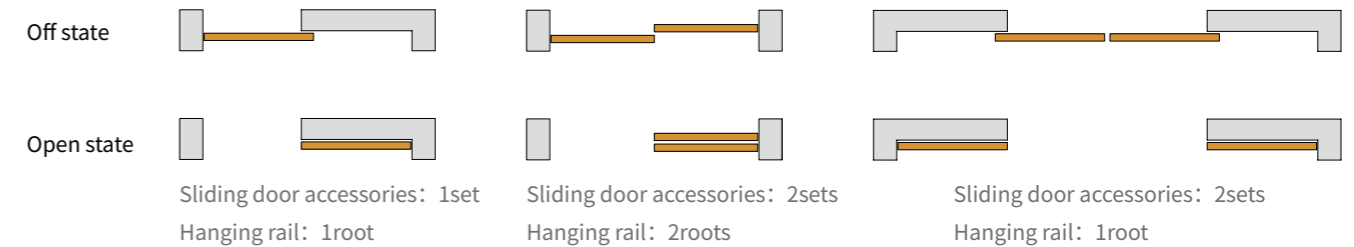
### Sliding door accessories (one door)

Model	Accessories name	Accessories picture	Quantity
KYN8220HB	Buffer hanging wheel assembly		1pcs
	Hanging wheel assembly		1pcs
	Buffer block		2pcs
	Door bottom guide		1pcs

### Matching hanging rail

Model	Product Picture	Dimensions	Remark
KYN91010			The quantity is determined according to the configuration of the door leaf The length is calculated according to the width of the door opening and needs to be ordered separately

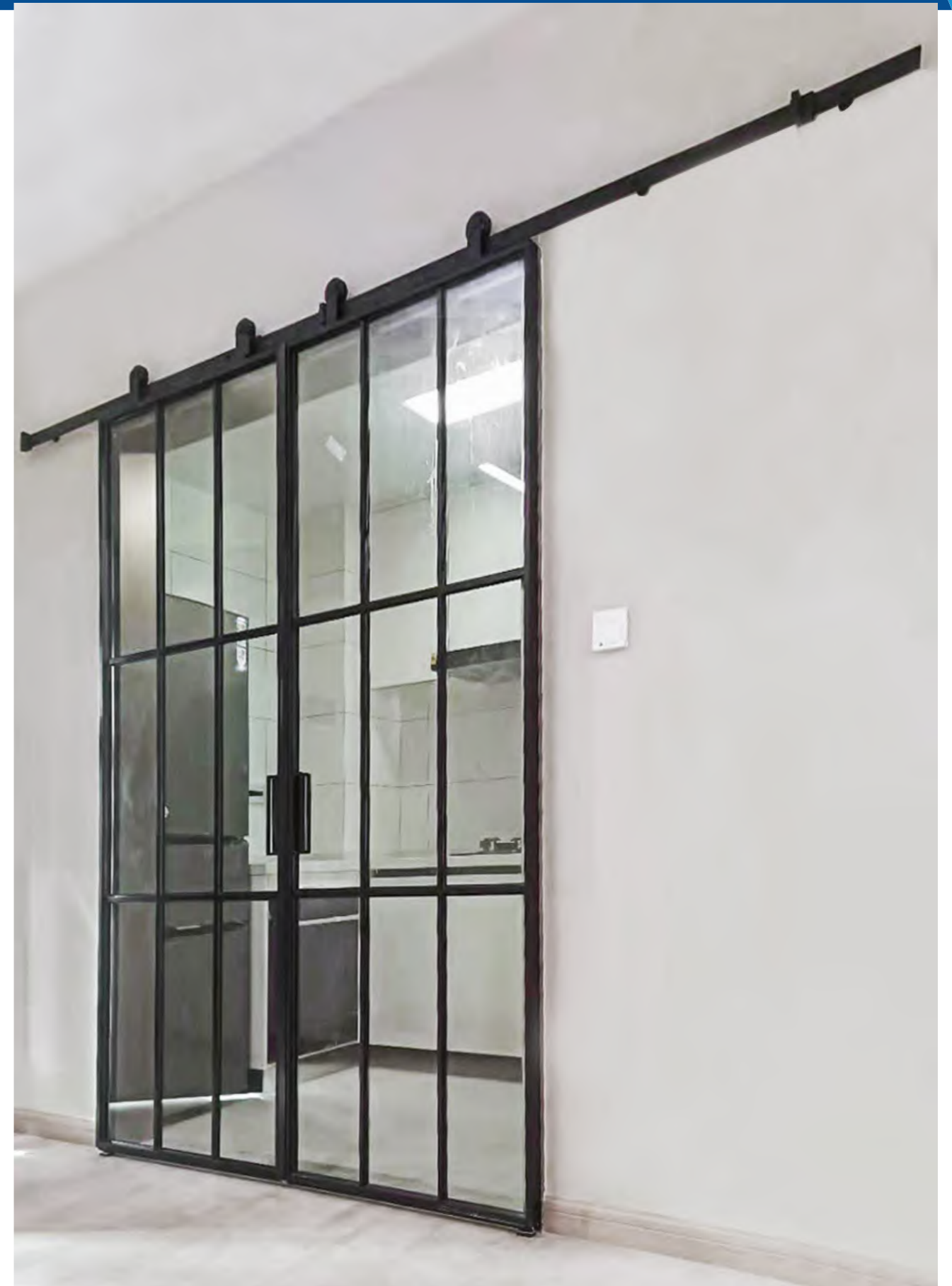
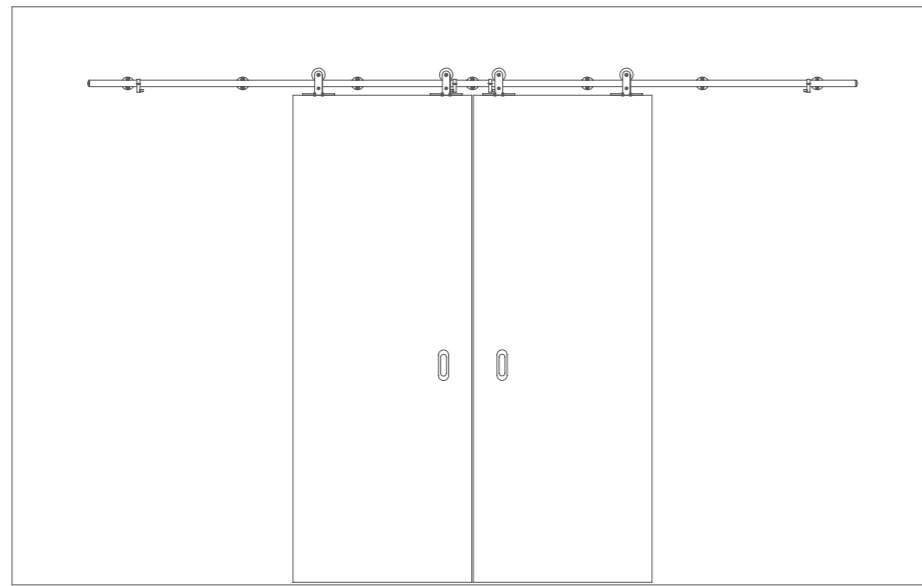
### Common configuration type



### Supporting products (Optional)

Concealed handle or sliding door lock: 1set(refer P241-245/P197-198 for details)  
Hanging rail side installation assembly(KYN97001):The quantity is determined according to the length of the hanging rail(refer P341 for details)

# Barn door accessories



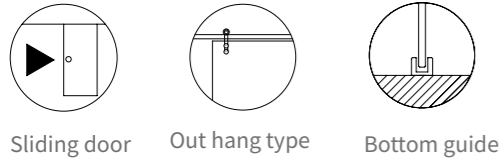
Sliding door

Sliding door

## Standard glass sliding door KYW13010

Applicable maximum door weight 100Kg

### Sliding door function diagram



Sliding door    Out hang type    Bottom guide

### Technical Parameters

- Applicable door weight      ≤100Kg
  - Applicable door thickness    10-15mm
  - Applicable door width        600~1200mm
  - Applicable door height       ≤2500mm
  - Height adjustment            ±3mm
  - Applicable door type         Glass door
- KYW13010 does not include lifting rail components, which need to be purchased separately
- Wall mounting supporting lifting rail assembly model KYW91001
- Glass surface mounting accessory rail assembly model KYW91002

### Main Material

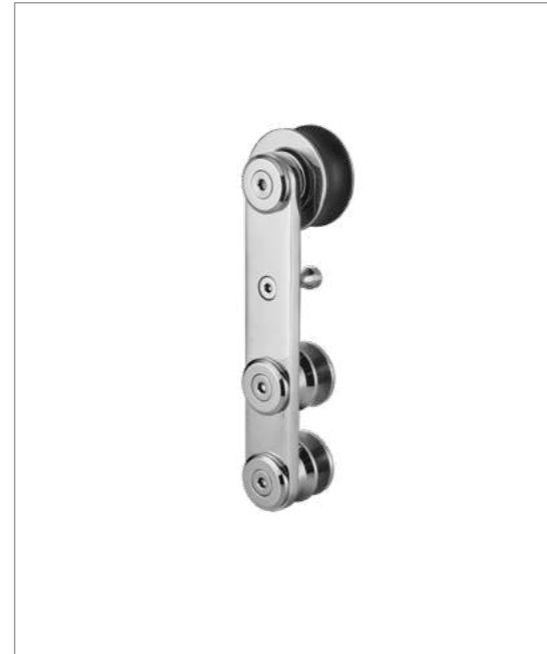
- Hanging wheel body        304 stainless steel
- Door bottom guide         304 stainless steel
- Hanging rail                 304 stainless steel

### Standard configuration (Single door)

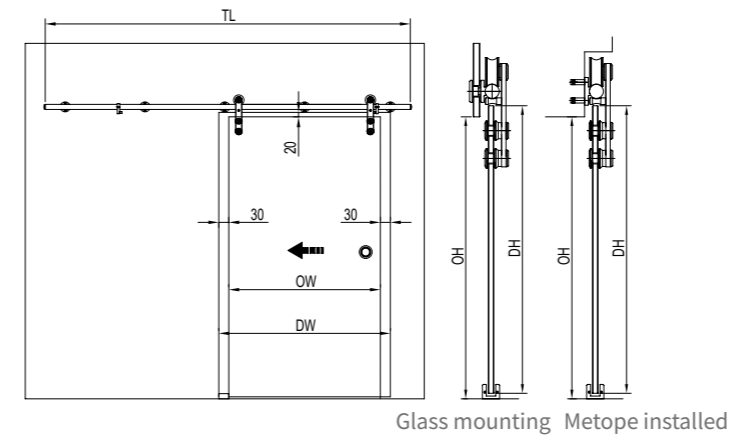
Model	Accessories name	Accessories picture	Quantity
KYW13010	Hanging rail		2pcs
	Door bottom guide		1pcs
KYW91001 (Including limit piece)	Hanging rail support (Wall mounting)		1pcs
KYW91002 (Including limit piece)	Hanging rail support (Glass surface installation)		1pcs

Hanging rail length	2000mm	2500mm	3000mm	4000mm	5000mm
single door	√	√	--	--	--
double doors	--	--	√	√	√

Note: The length of the hanging rail is shipped in accordance with the standard length of the attached table



### Installation diagram



### Dimension definition

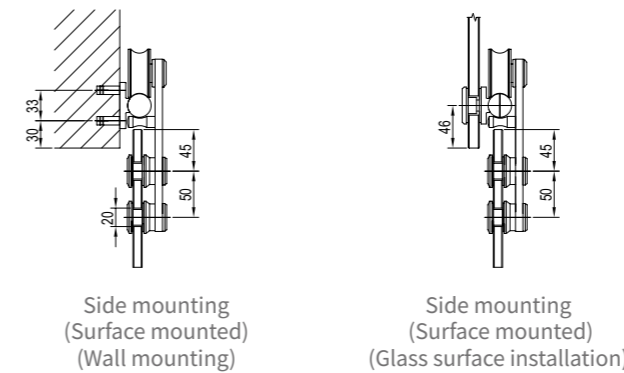
- Door sash width            DW
- Door opening width        OW
- Door sash height          DH
- Door opening height      OH
- Hanging rail length        TL

### Calculation formula (single door)

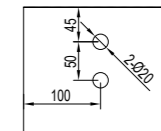
$$DH = OH + 10$$

$$DW = OW + 60$$

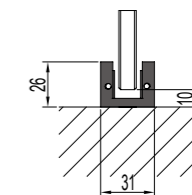
### Installation Diagram for Hanging Rail and Hanging Wheel



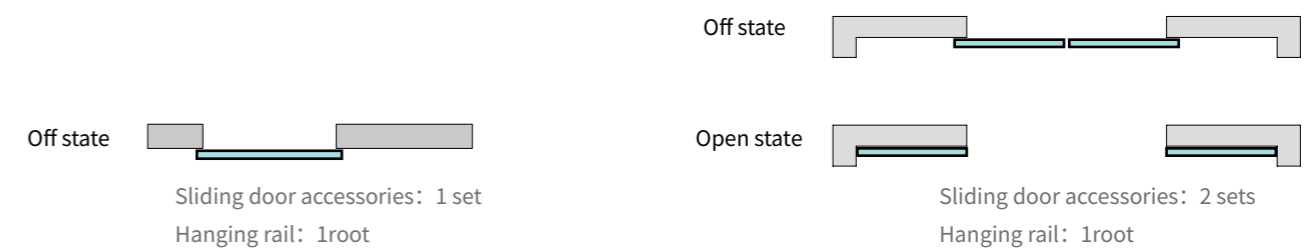
### Glass cut out drawing



### Door bottom guide installation diagram



### Common configuration type



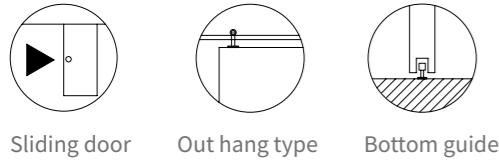
### Supporting products (Optional)

Concealed handle or sliding door lock: 1set(refer P241-245/P197-198 for details)

## Standard wooden sliding door KYW53010

Applicable maximum door weight 100Kg

### Sliding door function diagram



Sliding door    Out hang type    Bottom guide

### Technical Parameters

- Applicable door weight    ≤ 100Kg
  - Applicable door thickness    35-50mm
  - Applicable door width    600~1200mm
  - Applicable door height    ≤ 2400mm
  - Applicable door type    Wooden door
- KYW53010 products do not include lifting rail components, which need to be purchased separately
- Wall mounting supporting lifting rail assembly model KYW91001

### Main Material and Surface Finish

- Hanging wheel body    304 stainless steel
- Door bottom guide    304 stainless steel+ POM
- Hanging rail    304 stainless steel

### Standard configuration (Single door)

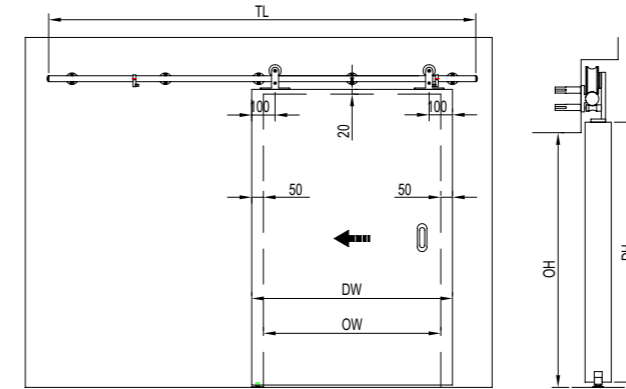
Model	Accessories name	Accessories picture	Quantity
KYW53010	Hanging wheel assembly		2pcs
	Door bottom guide		1pcs
KYW91001 (Including limit piece)	Hanging rail		1pcs

Hanging rail length	2000mm	2500mm	3000mm	4000mm	5000mm
Single door	√	√	--	--	--
Double doors	--	--	√	√	√

**Note:** The length of the hanging rail is shipped in accordance with the standard length of the attached table



### Installation diagram



### Dimension definition

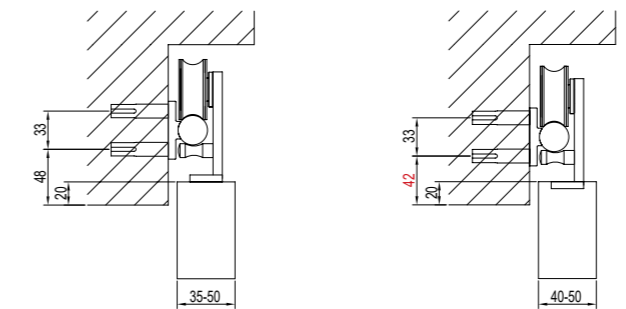
- Door sash width    DW
- Door opening width    OW
- Door sash height    DH
- Door opening height    OH
- Hanging rail length    TL

### Calculation formula (single door)

$$DH = OH + 10$$

$$OW = DW + 100$$

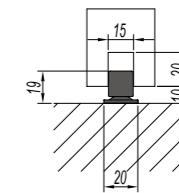
### Installation Diagram for Hanging Rail and Hanging Wheel



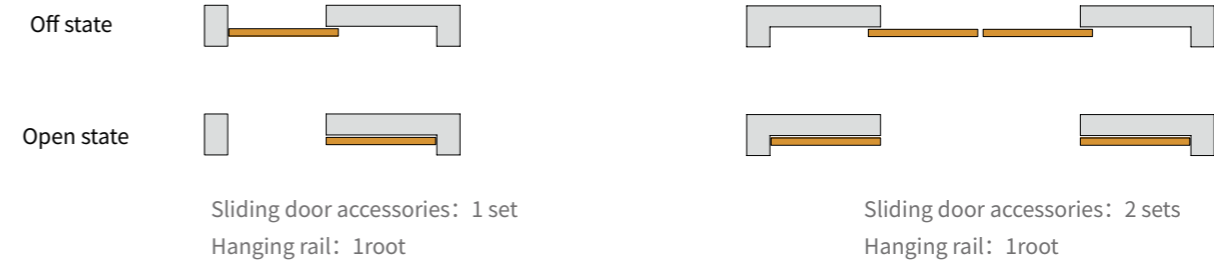
Side mounting  
(Surface mounted)  
(Wall / Door leaves are not slotted)

Side mounting  
(Surface mounted)  
(Wall / Door Slotted)

### Door bottom guide installation diagram



### Common configuration type



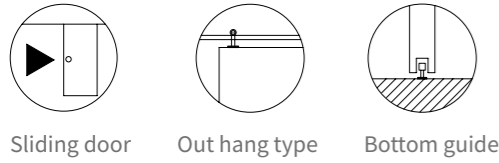
### Supporting products (Optional)

Concealed handle or sliding door lock: 1set (refer P241-245/P197-198 for details)

## Standard wooden sliding door KYW5430B

Applicable maximum door weight 100Kg

### Sliding door function diagram



Sliding door    Out hang type    Bottom guide

### Technical Parameters

Applicable door weight	≤100Kg
Applicable door thickness	35-55mm
Applicable door width	600~1200mm
Applicable door height	≤2500mm
Applicable door type	Wooden door
Hanging rail included, for wall mounting installed only	

### Main Material and Surface Finish

Hanger body	High quality carbon steel
Door bottom guide	Nylon
Hanging rail	High-quality carbon steel
Hanging rail support	High-quality carbon steel

### Standard configuration (Single door)

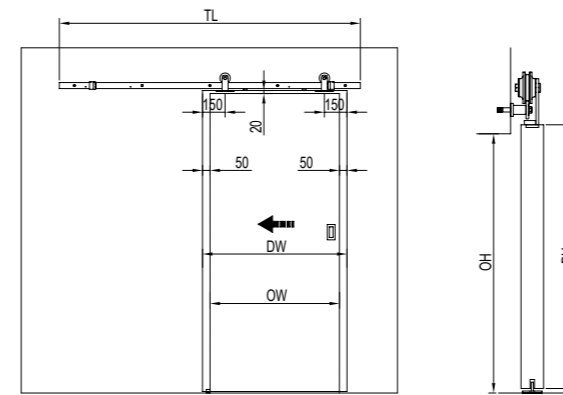
Model	Accessories name	Accessories picture	Quantity
KYW5430B	Hanging wheel assembly		2Pcs
	Positioning parts		2Pcs
	Door bottom guide		1Pcs
	Anti-jumper		2Pcs
	Hanging rail support		/
	Hanging rail		1Pcs

Hanging rail length	2000mm	2500mm	3000mm	4000mm	5000mm
Single door	√	√	--	--	--
Double doors	--	--	√	√	√

Note: The length of the hanging rail is shipped in accordance with the standard length of the attached table



### Installation diagram



### Dimension definition

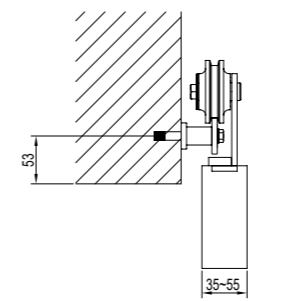
Door sash width	DW
Door opening width	OW
Door sash height	DH
Door opening height	OH
Hanging rail length	TL

### Calculation formula (single door)

$$DH=OH+10$$

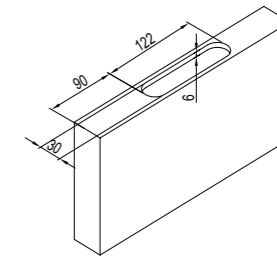
$$OW=DW+100$$

### Installation Diagram for Hanging Rail and Hanging Wheel

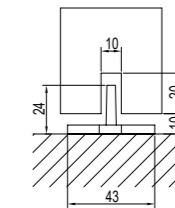


Side mounting  
(Surface mounted)

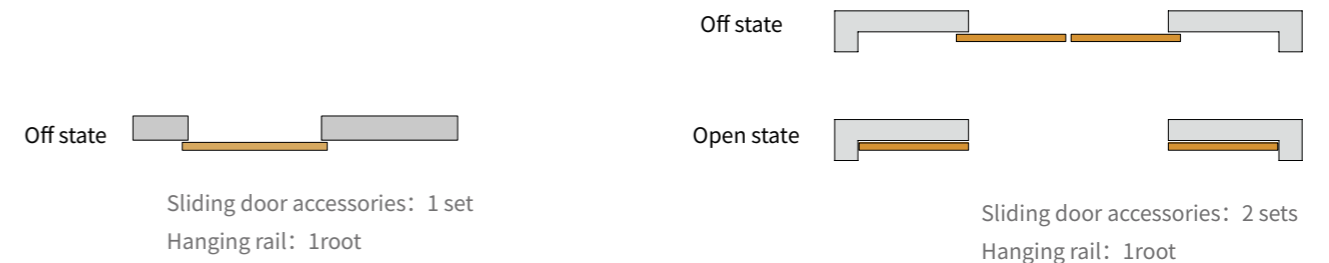
### Slotting diagram of hanging wheel assembly



### Door bottom guide installation diagram



### Common configuration type



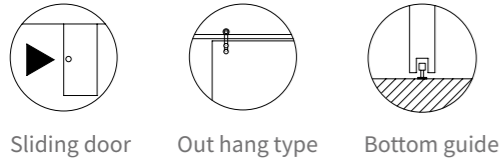
### Supporting products (Optional)

Concealed handle or sliding door lock: 1set(refer P241-245/P197-198 for details)

## Standard wooden sliding door KYW5550B

Applicable maximum door weight 150Kg

### Sliding door function diagram



Sliding door    Out hang type    Bottom guide

### Technical Parameters

Applicable door weight	≤150Kg
Applicable door thickness	35-40mm
Applicable door width	600~1200mm
Applicable door height	≤2700mm
Applicable door type	Wooden door
Hanging rail included, for wall mounting installed only	

### Main Material and Surface Finish

Hanger body	High quality carbon steel
Door bottom guide fitting	Nylon
Hanging rail	High-quality carbon steel
Hanging rail support	High-quality carbon steel

### Standard configuration (Single door)

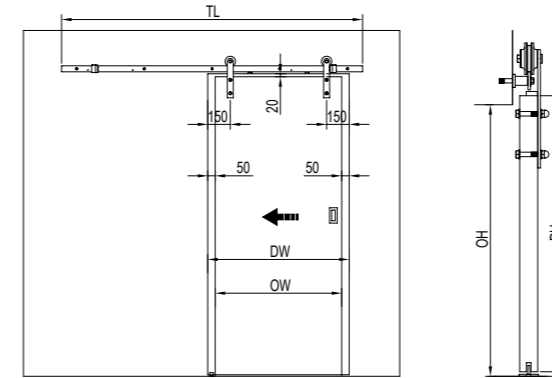
Model	Accessories name	Accessories picture	Quantity
KYW5550B	Hanging wheel assembly		2pcs
	Positioning parts		2pcs
	Door bottom guide		1pcs
	Anti-jumper		2pcs
	Hanging rail support		/
	Hanging rail		1pcs

Hanging rail length	2000mm	2500mm	3000mm	4000mm	5000mm
Single door	√	√	--	--	--
Double doors	--	--	√	√	√

Note: The length of the hanging rail is shipped in accordance with the standard length of the attached table



### Installation diagram



### Dimension definition

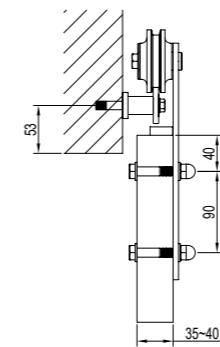
Door sash width	DW
Door opening width	OW
Door sash height	DH
Door opening height	OH
Hanging rail length	TL

### Calculation formula (single door)

$$DH = OH + 10$$

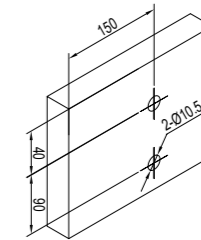
$$OW = DW + 100$$

### Installation Diagram for Hanging Rail and Hanging Wheel

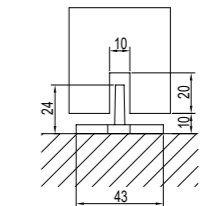


Side mounting  
(Surface mounted)

### Slotting diagram of hanging wheel assembly

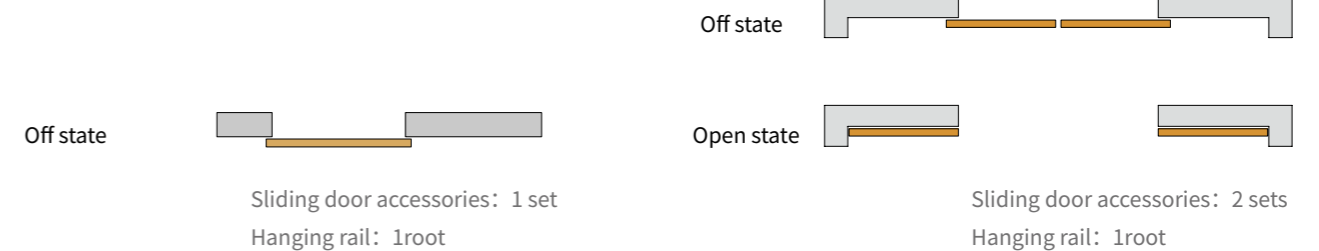


### Door bottom guide installation diagram



Standard configuration

### Common configuration type



### Supporting products (Optional)

Concealed handle or sliding door lock: 1set(refer P241-245/P197-198 for details)

**Supporting products**

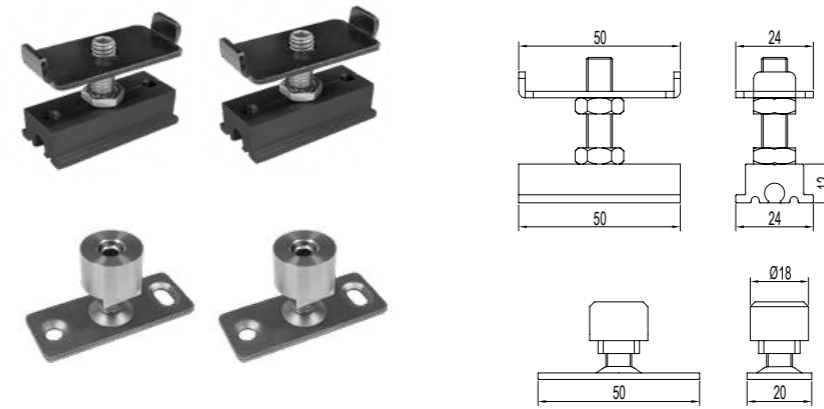
**KYN97001** Hanging rail side installation assembly



**Technical Parameters**

Main Material : S.S 304  
Surface Finish: Satin

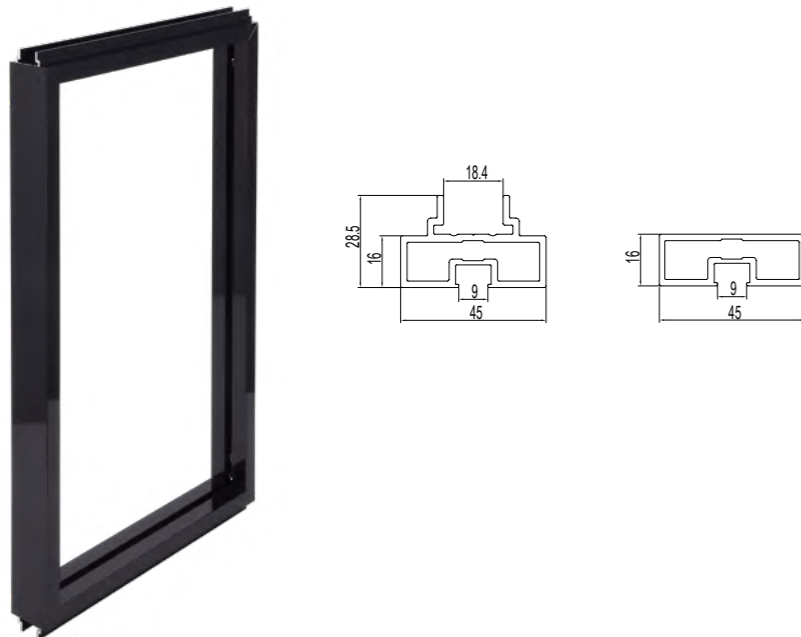
**KYN97005** Narrow frame fixed sash accessories



**Technical Parameters**

Main Material: 304+Aluminum alloy  
Surface treatment: electrophoresis + natural color  
Suitable for narrow frame sliding door fixed sash  
Install on the horizontal frame (both upper and lower bars) of narrow frame door.

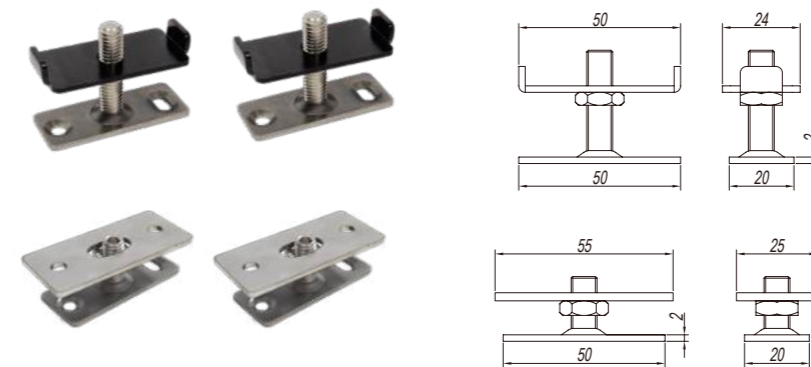
**KYN97004** Narrow frame door components



**Technical Parameters**

Main Material: Aluminum alloy  
Surface Finish: Electrophoretic Bright Black  
Applicable glass thickness: ≤8mm

**KYN97016** Wooden door Fixed sash accessories

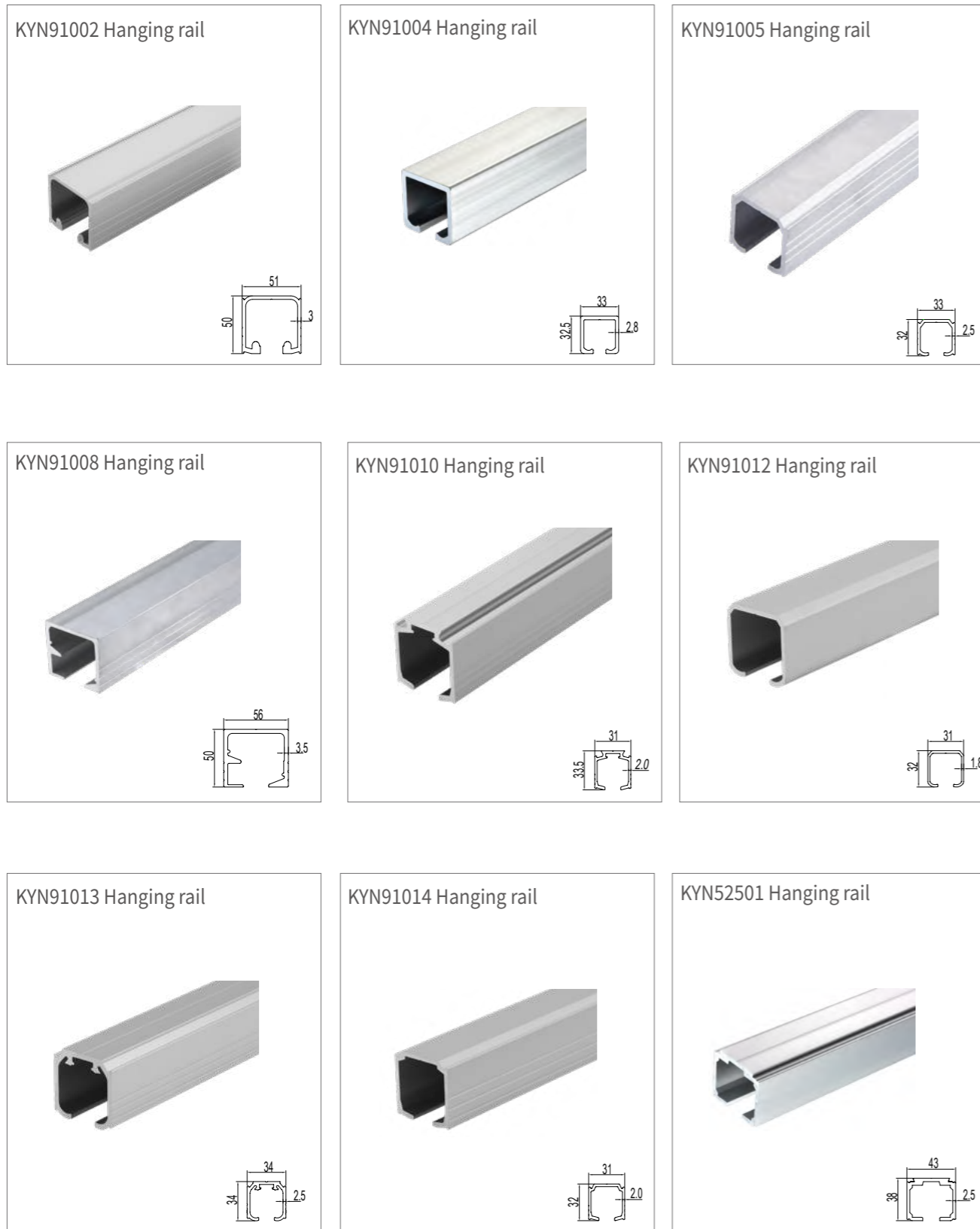


**Technical Parameters**

Main Material: 304+High quality carbon steel  
Surface treatment: steel color + black  
Suitable for sliding door fixed fan with wood/metal frame linkage  
Installed on the upper and lower cross frames of door doors



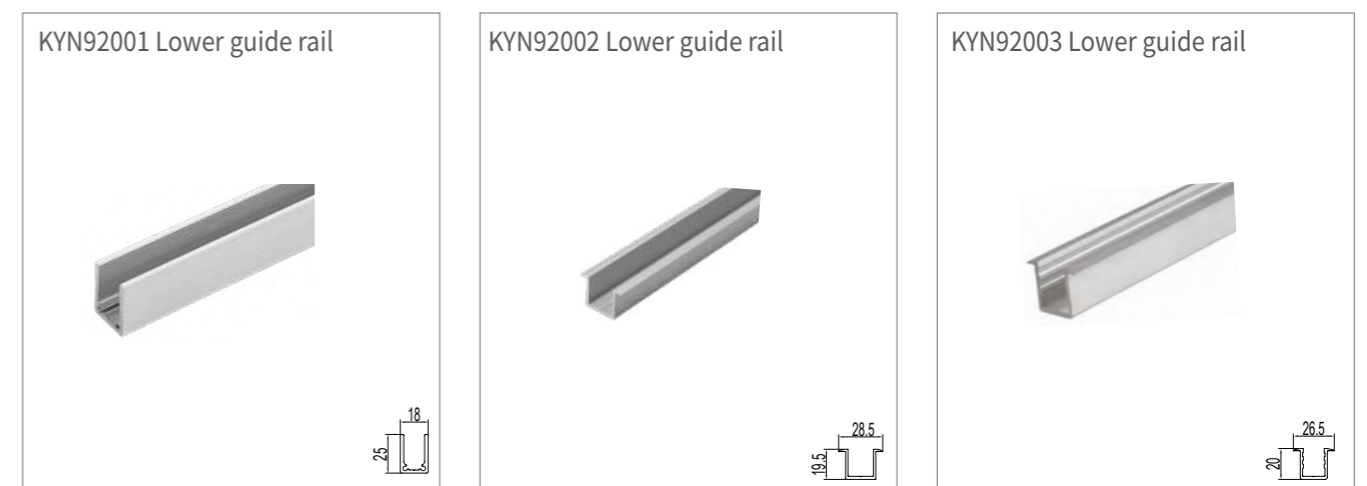
## Hanging rail series



## Decorative plate



## Lower guide rail series



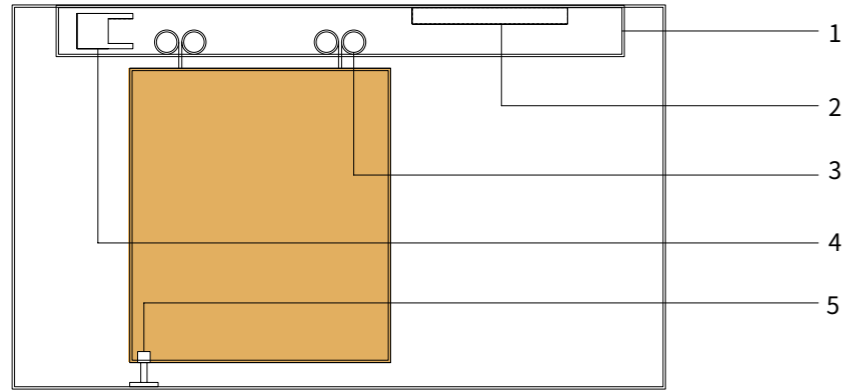
**General/buffer/linkage door Hanging rail list**

No.	Door type	weight	Model	Hanging rail	Decorative plate
1	Aluminum narrow frame linkage sliding door accessories	≤ 60Kg	KYN6121LD KYN6131LD KYN6122LD KYN6000LD KYN6221LD KYN6231LD KYN6002HD	KYN91010	/
			KYN6322LB KYN6321LB KYN6331LB KYN6421LB KYN6431LB		
2	Wood/Metal Frame linkage Sliding Door Accessories	≤ 60Kg	KYN8110B	KYN91012	/
3	Wood/Metal Frame Sliding Door Accessories	≤ 80Kg	KYN8212A KYN8212B KYN8212C KYN8212K	KYN91014	KYN52207
			KYN8210B KYN8120A	KYN91005	
		≤ 100Kg	KYN8310B	KYN91005	KYN52207
4	Aluminum narrow frame Buffer sliding door accessories	≤ 80Kg	KYN6001HD	KYN91010 KYN91018	/
			KYN8220HD	KYN91010	
			KYN8210HD	KYN91013	
5	Wood/Metal Frame Buffer Sliding Door Accessories	≤ 80Kg	KYN8210HA KYN8210HB	KYN91013	KYN52207
			KYN8220HA KYN8220HB	KYN91010	/
6	Glass sliding door accessories	≤ 60Kg	KYN8110E	KYN91005	/
			≤ 80Kg		
		≤ 100Kg			
			≤ 120Kg		
		≤ 150Kg	KYN15010		

**Folding door/movable partition Hanging rail list**

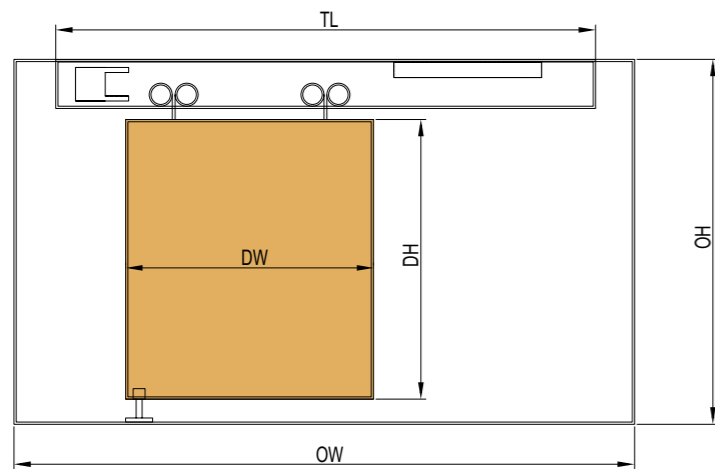
No.	Door type	weight	Model	Hanging rail	Bottom guide rail
1	Wooden folding doors accessories	≤ 75Kg	KZD51 series	KYN91002	KYN92002
2	Glass folding door accessories	≤ 60Kg	KZD11 series	KYN91004	KYN92003
			KZD21 series	KYN91008	/
		≤ 80Kg	KZD22 series		KYN91002
			KZD24 series		
3	Glass movable partition accessories	≤ 125Kg	KHD11H series	KYN91001	/
			KHD12H series		KYN92003
			KHD11F series		KHD91003

**Noun definition**



- 1-Hanging rail  
Use with hanging wheel to guide the running direction of sliding door
- 2-Buffer  
Also called damper, used in sliding door operation, it can make the door sash close slowly
- 3-Hanging wheel assembly  
Sliding door operation and load-bearing components, usually composed of pulleys, bodies, fixing plates or galss patches
- 4-Limit piece / locating piece  
Limiting parts are accessories used to limit the sliding door travel, without positioning function; positioning parts are accessories used to limit the sliding door travel, with positioning function
- 5-Bottom guide fitting  
Used to reduce swing of sliding door during operation
- 6-Decorative plates  
For covering hanging rails, upper door seams and exposed accessories, with decorative function

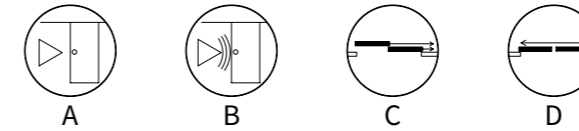
**Size instruction**



Door sash width DW    Door opening width OW    Door sash height DH  
 Door opening height OH    Hanging rail length TL

**Functions**

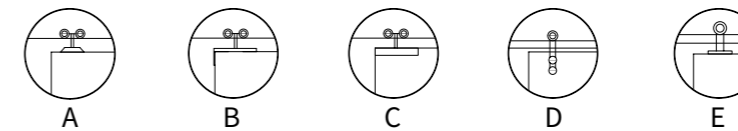
- A-Standard sliding door: single / double doors open in one direction
- B-buffer sliding door: when the door sash is opened or closed, there is a buffer effecton
- C-Synchronous co-directional linkage door: When one door is pulled, the other (multiple) is opened in the same direction
- D-Synchro-opposite linkage door: When one door is pulled, the other (multiple) is opened in the opposite direction



**Common fixing types for hanging wheel and door sash**

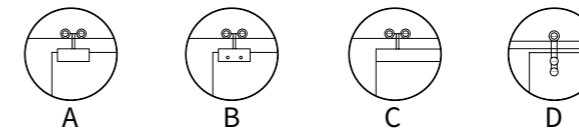
■ Wooden sliding door

- A-line plate type: installed at a distance from the end of the door sash
- B-L type: installed at the end of the door sash
- C-U Slot Type: Installed at the end of the door sash, the door sash needs to be slotted, concealed installation
- D-Bracket type: installed on the front of the door sash, the door sash needs to drill holes
- E-Bracket type: installed at a distance from the end of the door sash



■ Glass sliding door

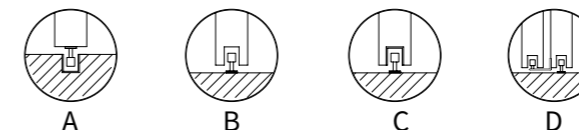
- A- short patch type: installed at a distance from the end of the door sash, no need to open the glass
- B-Short patch hole type: installed at a distance from the end of the door sash, the glass needs to drill holes
- C-Long patch type: The glass patch is generally the same width as the door lea
- D-Bracket type: installed on the front of the door sash, the glass needs to drill holes



**Common installation types of Door bottom guide fitting**

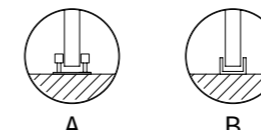
■ Wooden sliding door

- A-Floor slotted lower guide rail: Door bottom guide fitting is installed at the bottom of the door sash
- B-Floor-mounted Door bottom guide: slotted in the bottom of the door sash
- C-Floor-mounted Door bottom guide: slotted bottom guide rail for bottom guide door
- D-Floor-mounted Door bottom guide fitting: L-shaped Door bottom guide on door sash (for linkage door only)



■ Glass sliding door

- A-Floor-mounted Door bottom guide, double-side guide wheel structure
- B-Floor-mounted Door bottom guide, guide slot structure

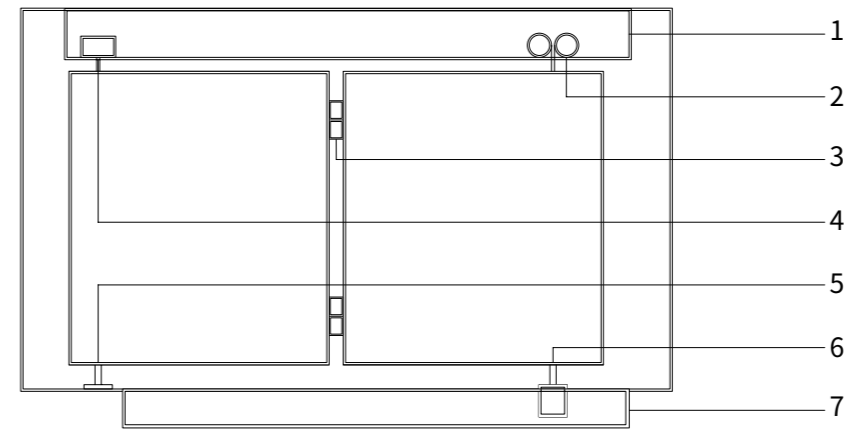


# 09

## Folding door system

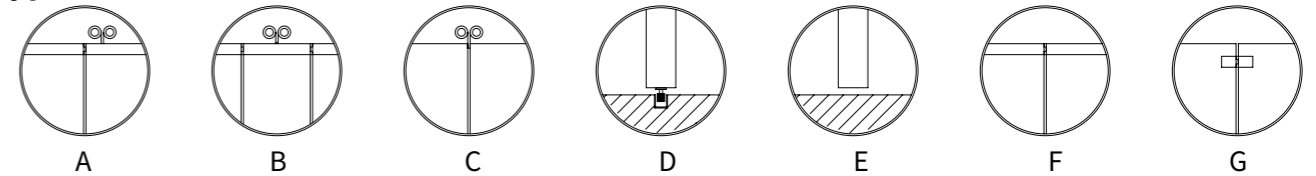


### Noun definition



- 1-Hanging Rail  
Used in conjunction with hanging wheels to guide the running direction of the door sash
- 2-Hanging wheel assembly  
Folding door operation and load-bearing components, usually composed of pulleys, bodies, fixing plates or Glass door patches
- 3-Fold Hinge  
Accessories for connecting adjacent folding sash to achieve the folding of door leaves
- 4-Upper mounting  
The load-bearing accessory of the first door of the folding door is fixed in the hanging rail and cooperates with the lower fixing seat to realize the rotation of the door sash
- 5-Lower mounting  
The running accessory of the first door of the folding door is fixed on the ground and cooperates with the upper fixing seat to realize the rotation of the door sash
- 6-Door bottom guide fitting  
Installed at the bottom of the door sash, used to reduce the swing of the folding door during operation, and at the same time prevent falling angle
- 7-Bottom guide rail  
Installed on the ground, used in conjunction with door bottom guides to guide the running direction of the door sash

### Type definition

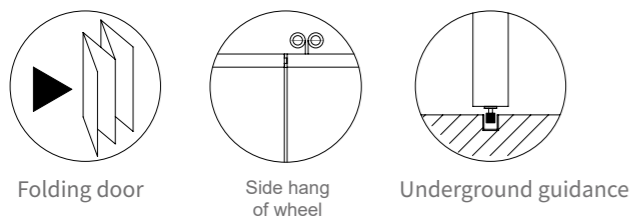


- A-Hanging wheel offset  
Installed at a distance from the end of the door sash
- B-Hanging wheel center  
Installed in the middle of the door sash
- C-Hanging wheel side  
Installed on the side of the door sash
- D-Underground guidance  
Need to be equipped with a Bottom guide rail, the floor needs to be slotted, used with the door bottom guide
- E-No bottom orientation  
No need to be equipped with Bottom guide rail, no need to groove on the floor, no door bottom guide
- F-Long clip  
The door clip of the glass folding door is a long clip style
- G-Short clip  
The door patch of glass folding door is short patch style

## Glass folding door KZD11 series

Applicable maximum door weight 60Kg

### Sliding door function diagram



### Functions&Characteristics

Suitable for multiple one-way or two-way Glass folding doors  
 Suitable for commercial and public areas  
 Open the foldable door to the side against the wall, and close the extendable door as an indoor screen  
 Parallel curved concave design at the bottom of the hanging rail, no shaking during sliding, self-guided  
 Bottom guide rail keeps door sash stable in sliding and standing state  
 Pulley with high toughness, self-lubricating functions and mute vibration reduction  
 Horizontal guide wheels effectively prevent door leaves from falling off  
 Height adjustable  $\pm 3$ mm, horizontal adjustable  $\pm 3$ mm, eliminating some site to lerance The standard configuration can only be opened and closed indoors.  
 When outdoor opening and closing is required, increase the casement Sash  
**This series with Bottom guide rail**  
**Glass needs opening hole**

### Technical Parameters

Applicable maximum door weight 60Kg  
 Applicable door thickness 10~12 mm  
 Applicable door width 600~800mm  
 Applicable door height  $\leq 2400$ mm

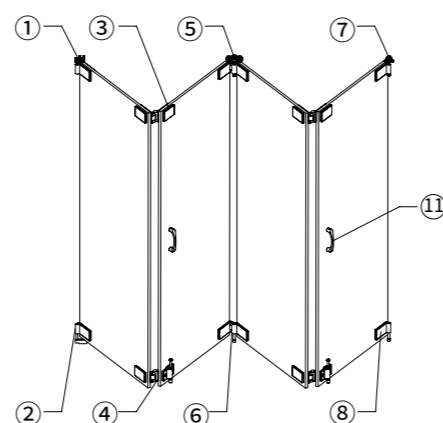
### Main materials and surface treatment

Hanging rail Aluminum alloy (anodized, silver white)  
 Bottom guide rail Aluminum alloy (anodized, silver white)  
 Fixed patch Aluminum alloy (anodized, silver white), 304 stainless steel (natural color)  
 Folding Hinge Aluminum alloy (anodized, silver white)  
 Folding hinge with wheel Aluminum alloy (anodized, silver white), 304 stainless steel (natural color)  
 Glass door patch Aluminum alloy (anodized, silver white), 304 stainless steel (natural color)  
 Pulley Bearing GCr15 (natural color) + POM (white)

### Accessory details



### Configuration schematic

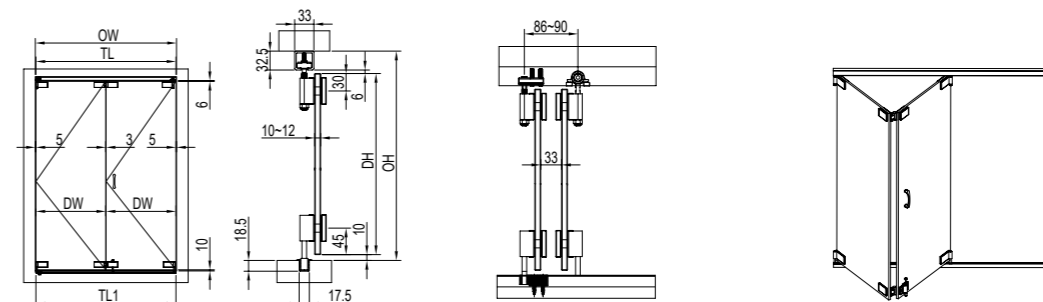


### Option

Hanging rail (Necessary Accessories) Model number KYN91004(See P343)  
 Bottom guide rail Model number KYN92003(See P344)  
 Handle Model number KLS45001(See P239)

### Schematic diagram of typical configuration types

#### One-way glass folding door



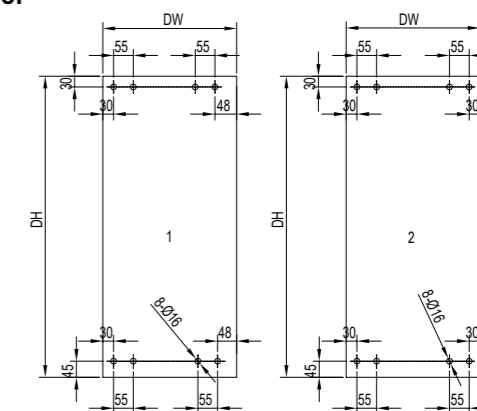
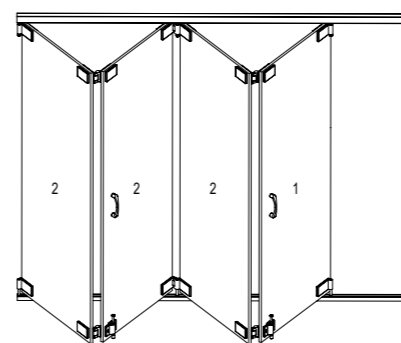
Product Model	KZD11200	KZD11400
Applicable door type	2 Sash one-way folding	4 Sash one-way folding
Schematic diagram		

#### Two-way glass folding door



Product Model	KZD11220	KZD11440
Applicable door type	4 Sash two-way folding	8 Sash two-way folding
Schematic diagram		

### Drilling diagram for one-way/ two-way folding glass door



### Dimension definition

Doorway Height OH Door sash width DW  
 Doorway width OW Rail length TL  
 Door sash height DH Bottom guide rail length TL1

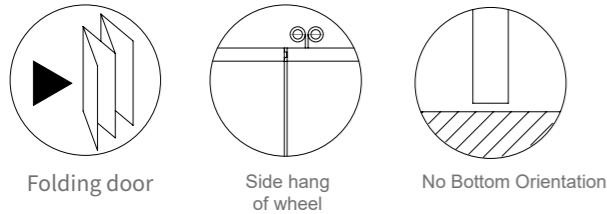
### Calculation formula

DH=OH-48.5  
 TL=TL1=OW-5

## Glass folding door KZD21 series

Applicable maximum door weight 80Kg

### Sliding door function diagram



### Functions&Characteristics

- Suitable for multiple one-way or two-way Glass folding doors
- Suitable for commercial and public areas
- Open the foldable door to the side against the wall, and close the extendable door as an indoor screen
- Good permeability and can bring excellent lighting effects
- Universal caster design, push and pull light, smooth and ultra quiet
- Pulley with high toughness, self-lubricating functions and mute vibration reduction
- Hinge through-shaft design to prevent Hinges from falling off
- Hinge parts are made of 304 stainless steel for improved robustness and corrosion resistance
- Height adjustable  $\pm 4$ mm, eliminating some site to larence **This series does not have a lower guide slot, so there is no need to make a slot in the ground**
- No openings hole required for glass**

### Technical Parameters

Applicable maximum door weight	80Kg
Applicable door thickness	10、 12 mm
Applicable door width	600~800mm
Applicable door height	$\leq 2600$ mm

### Main materials and surface treatment

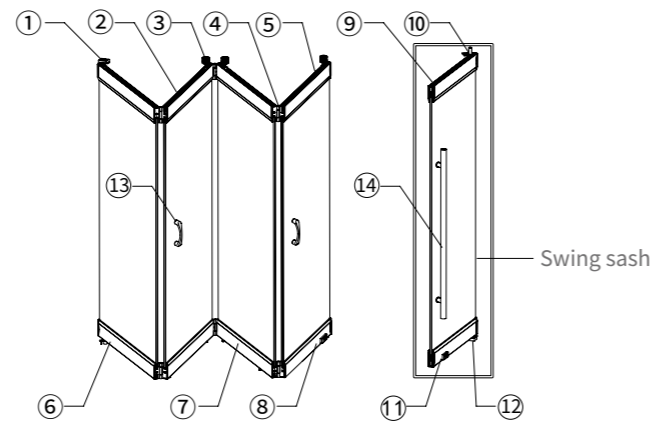
Hanging rail	Aluminum alloy (anodized, silver white)
Mounting	304 stainless steel (natural color)
Glass door patch	Aluminum alloy (anodized, silver white)
Universal wheel assembly	304 stainless steel (natural color)
Hinge	Stainless steel(Spray paint, black)
Pulley	Bearing GCr15 (natural color) + POM (white)

### Option

Hanging rail(Necessary Accessories )	Model number KYN91008(See P343)
Handle	Model number KLS45001(See P239)
Floor Hinge	Optional, order separately



### Configuration schematic



### Configuration instructions:

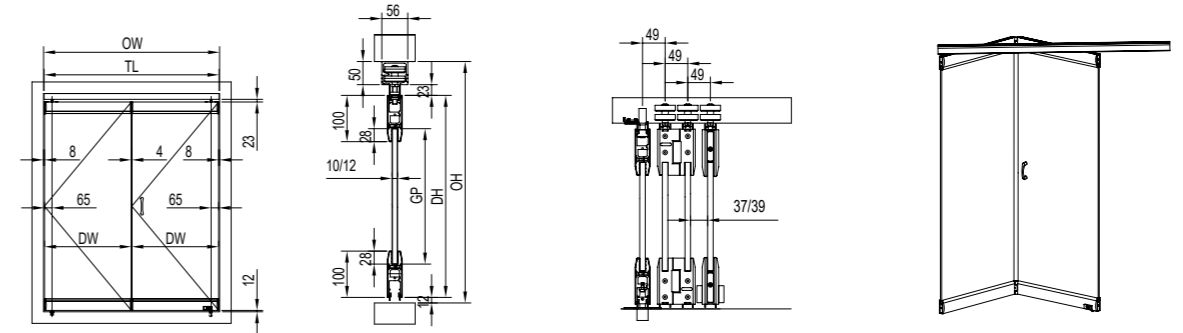
Swing sash is not included in the standard configuration. Swing sash accessories must be ordered separately

### Accessory details

Item	Product Name	Item	Product Name
1	Mounting	9	Swing sash upper patch
2	Middle Upper patch	10	Mounting
3	Universal wheel assembly	11	Bottom patch with lock(swing sash)
4	Connectting Hinge	12	Floor Hinge
5	Upper patch	13	Handle
6	Bottom patch	14	Stainless steel handle(Big)
7	Middle bottom patch	15	Hanging rail
8	Bottom patch with lock		

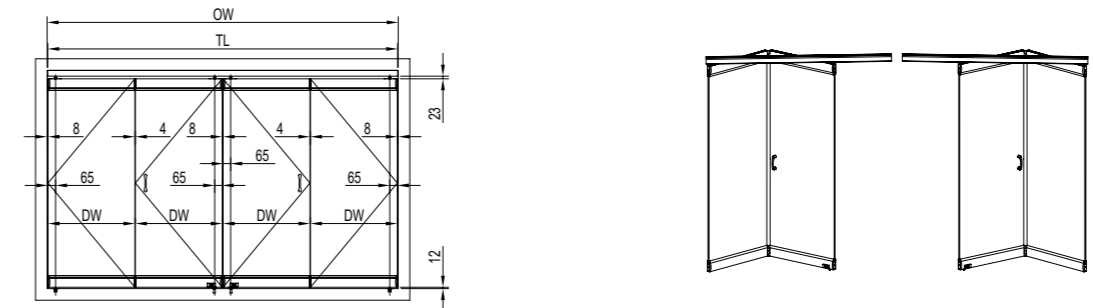
### Schematic diagram of typical configuration types

#### One-way glass folding door



Product Model	KZD21200	KZD21400
Applicable door type	2 Sash one-way folding	4 Sash one-way folding
Schematic diagram		

#### Two-way glass folding doors



Product Model	KZD21220	KZD21420
Applicable door type	4 Sash two-way folding	6 Sash two-way folding
Schematic diagram		

### Dimension definition

Door sash height	DH
Doorway height	OH
Door sash width	DW
Glass door height	GP
Doorway width	OW
Rail length	TL

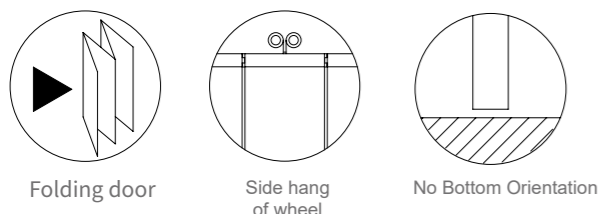
### Calculation formula

$$GP=OH-229$$

## Glass folding door KZD22 series

Applicable maximum door weight 80Kg

### Sliding door function diagram



### Functions&Characteristics

- Suitable for multiple one-way or two-way Glass folding doors
- Suitable for commercial and public areas
- Open the foldable door to the side against the wall, and close the extendable door as an indoor screen
- Good permeability and can bring excellent lighting effects
- Universal caster design, push and pull light, smooth and ultra quiet
- Pulley with high toughness, self-lubricating functions and mute vibration reduction
- Hinge through-shaft design to prevent Hinges from falling off
- Hinge parts are made of 304 stainless steel for improved robustness and corrosion resistance
- Height adjustable  $\pm 4$ mm, eliminating some site to larence
- This series does not have a lower guide slot, so there is no need to make a slot in the ground**
- No openings hole required for glass**

### Technical Parameters

- Applicable maximum door weight 80Kg
- Applicable door thickness 10、12 mm
- Applicable door width 600~1000mm
- Applicable door height  $\leq 3000$ mm

### Main materials and surface treatment

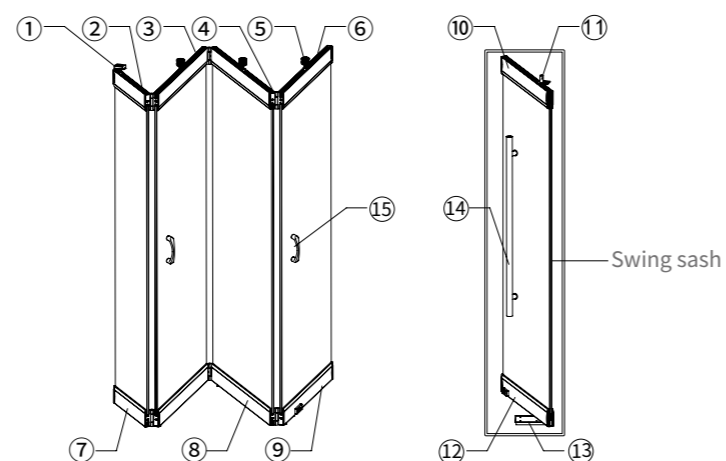
- Hanging rail Aluminum alloy (anodized, silver white)
- Mounting 304 stainless steel (natural color)
- Glass door patch Aluminum alloy (anodized, silver white)
- Universal wheel assembly 304 stainless steel (natural color)
- Hinge Stainless steel(Spray paint, black)
- Pulley Bearing GCr15 (natural color) + POM (white)

### Option

- Hanging rail(**Necessary Accessories**) Model number KYN91008(See P343)
- Handle Model number KLS45001(See P239)
- Floor Hinge Optional, order separately



### Configuration schematic



### Configuration instructions:

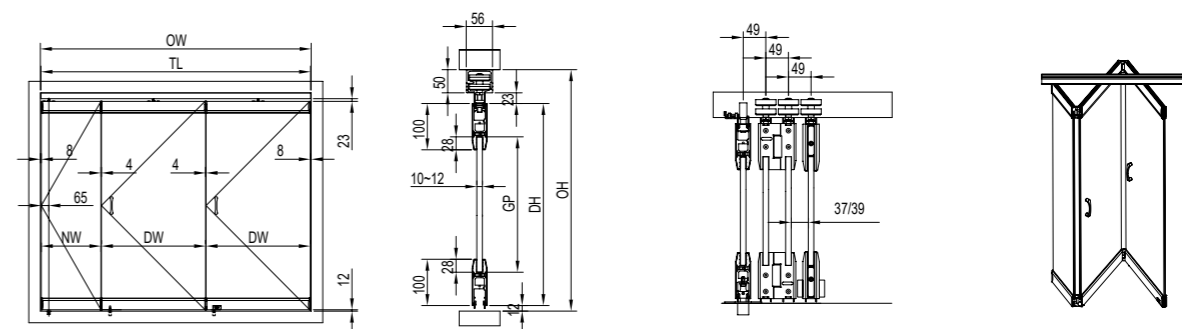
Swing sash is not included in the standard configuration. Swing sash accessories must be ordered separately

### Accessory details

Item	Product Name	Item	Product Name
1	Mounting	9	Bottom patch with lock
2	Upper-Patch for Narrow door	10	Swing sash upper patch
3	Middle Upper-patch	11	Mounting
4	Connecting Hinge	12	Bottom patch with lock(swing sash)
5	Universal wheel assembly	13	Floor Hinge
6	Upper patch	14	Stainless steel handle(Big)
7	Bottom-Patch for Narrow Door	15	handle
8	Middle bottom patch	16	Hanging rail

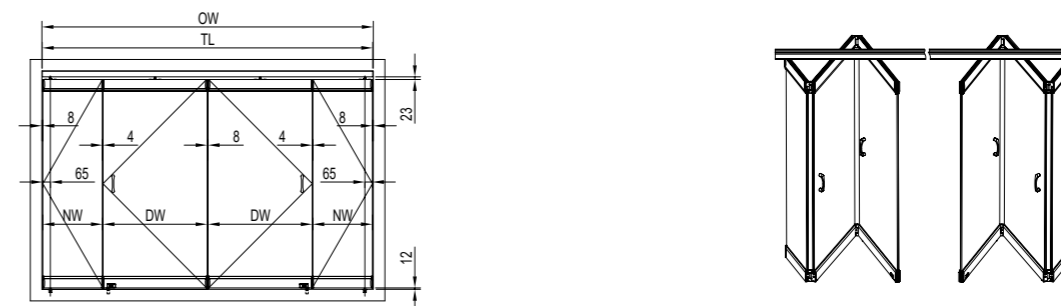
### Schematic diagram of typical configuration types

#### One-way glass folding door



Product Model	KZD22200	KZD2230L/R	KZD2240L/R	KZD2250L/R	KZD2260L/R
Applicable door type	2Sash one-way folding	3Sash one-way folding	4Sash one-way folding	5Sash one-way folding	6Sash one-way folding
Schematic diagram					

#### Two-way glass folding doors



Product Model	KZD22220	KZD22330	KZD22440	KZD22550	KZD22660
Applicable door type	4Sash two-way folding	6Sash two-way folding	8Sash two-way folding	10Sash two-way folding	12Sash two-way folding
Schematic diagram					

### Dimension definition

- Doorway height OH
- Doorway width OW
- Door sash height DH
- Door sash width DW
- Glass door height GP
- Narrow door sash width NW
- Rail length TL

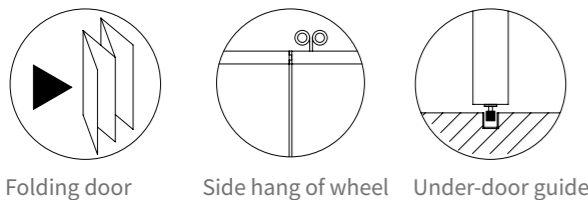
### Calculation formula

- $GP=OH-229$
- $NW=DW/2+65$

## Glass folding door KZD24 series

Applicable maximum door weight 80Kg

### Sliding door function diagram



### Functions&Characteristics

- Suitable for multiple one-way or two-way Glass folding doors
- Suitable for commercial and public areas
- Open the foldable door to the side against the wall, and close the extendable door as an indoor screen
- Parallel arc-shaped boss at the bottom of the hanging rail, which can be self-guided, self-cleaning and automatic compensation
- Bottom guide rail keeps door sash stable in sliding and standing state
- Pulley with high toughness, self-lubricating functions and mute vibration reduction
- Hinge parts are made of 304 stainless steel for improved robustness and corrosion resistance
- Hinge through-shaft design to prevent Hinges from falling off
- Height adjustable  $\pm 4$ mm, horizontal adjustable  $\pm 4$ mm, eliminating some site to larence
- The patch is a short patch style, standard size, installed on the left and right sides of the door sash.
- The size of the decorative cover can be customized according to the width of the door sash, or it can be cut by the customer

### Technical Parameters

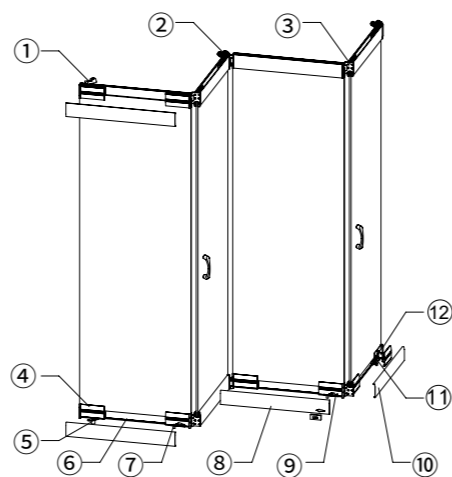
Applicable maximum door weight	80Kg
Applicable door thickness	10、12mm
Applicable door width	600~900mm
Applicable door height	$\leq 2800$ mm

### Main materials and surface treatment

Hanging rail	Aluminum alloy (anodized, silver white)
Bottom guide rail	Aluminum alloy (anodized, silver white)
Hanging wheel assembly	Stainless steel (natural color)
Hinge assembly	Stainless steel (matt)
Glass door patches	Aluminum alloy (anodized, silver white)
Decorative cover	Aluminum alloy (anodized, silver white)
Lower guide assembly	Stainless steel (natural color)
End cover assembly	Stainless steel (matt)
Pulley	Bearing GCr15 (natural color) + POM (white)



### Configuration schematic



### Option

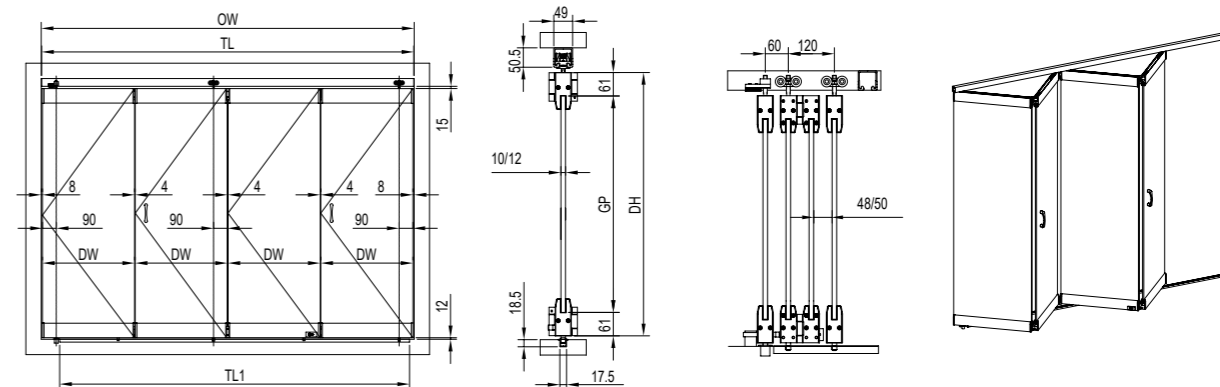
- Hanging rail(**Necessary Accessories**) Model number KYN91002(See P343)
- Bottom guide rail Model number KYN92003(See P344)
- Handle Model number KLS45001(See P239)

### Accessory details



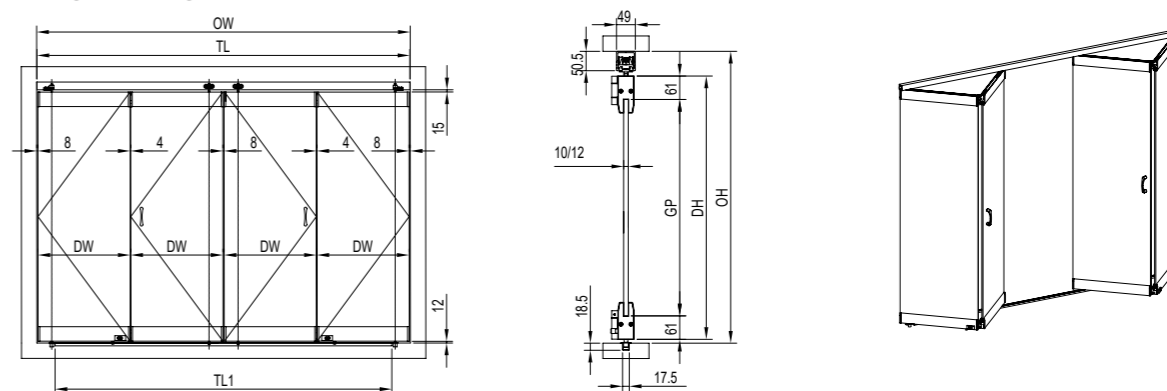
### Schematic diagram of typical configuration types

#### One-way glass folding door



Product Model	KZD24200	KZD2440L/R	KZD2460L/R
Applicable door type	2Sash one-way folding	4Sash one-way folding	6Sash one-way folding
Schematic diagram			

#### Two-way glass folding doors



Product Model	KZD24220	KZD2442L/R
Applicable door type	4Sash two-way folding	6Sash two-way folding
Schematic diagram		

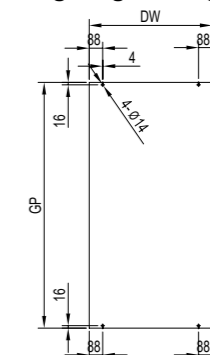
### Dimension definition

Doorway height	OH
Doorway width	OW
Door sash height	DH
Wide door sash width	DW
Glass door height	GP
Rail length	TL
Bottom guide rail length	TL1

### Calculation formula

GP=OH-200
TL=OW-5
TL1(one-way opening)=OW-170
TL1(two-way opening)=OW-340

### Opening Diagram of glass

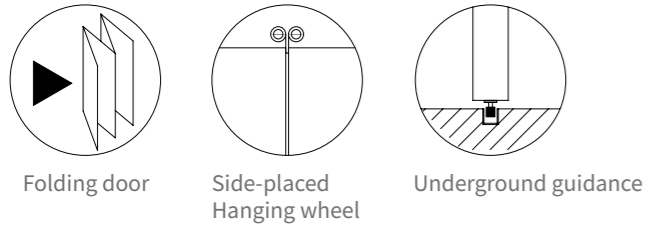




## Wooden folding doors KZD51 series

Applicable maximum door weight 75Kg

### Sliding door function diagram



### Functions&Characteristics

Suitable for multiple one-way or two-way wooden folding doors  
 Suitable for commercial and public areas  
 Eccentric structure design, suitable for door frame structures with and without notches  
 Open the foldable door to the side against the wall, and close the extendable door as an indoor screen  
 Parallel arc-shaped boss at the bottom of the hanging rail, which can be self-guided, self-cleaning and automatic compensation  
 Bottom guide rail keeps door sash stable in sliding and standing state  
 Pulley with high toughness, self-lubricating functions and mute vibration reduction  
 Horizontal guide wheels effectively prevent door leaves from falling off  
 Hinge through-shaft design to prevent Hinges from falling off  
 The main parts are made of 304 stainless steel, which improves the robustness and corrosion resistance  
 Height adjustable  $\pm 4$ mm, horizontal adjustable  $\pm 4$ mm, eliminating some site to lernace

### Technical Parameters

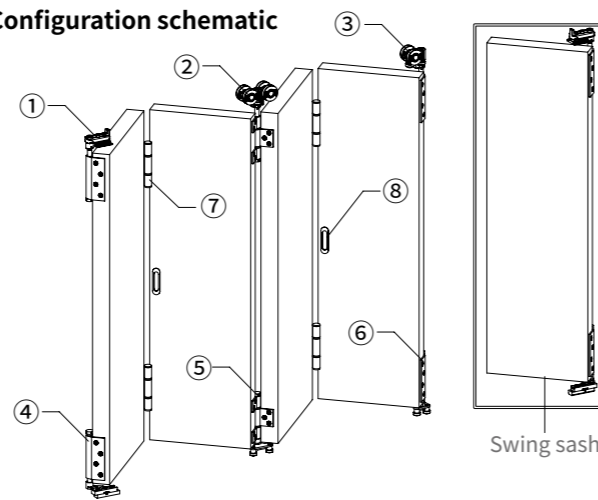
Applicable maximum door weight	75Kg
Applicable door thickness	40-50mm
Applicable door width	600-900mm
Applicable door height	$\leq 3300$ mm

### Main materials and surface treatment

Main parts	304 stainless steel (natural color)
Hinge	304 stainless steel (matt)
Hanging Rail	Aluminum alloy (anodized, silver white)
Bottom guide rail	Aluminum alloy (anodized, silver white)
Latch	304 (matt) zinc alloy (nickel plated)
Pulley	Bearing GCr15 (natural color) + POM (white)



### Configuration schematic



### Configuration intructions:

1. Swing sash is not included in the standard configuration. Swing sash accessories must be ordered separately.
2. Door height  $\leq 2400$ mm, order according to the standard configuration product model.
3. Door height  $> 2400$ mm, add a hinge in the middle of the door sash (model KZD5120L-03, order separately).
4. Number of hinges = Number of one-way folding sash -1.

### Option

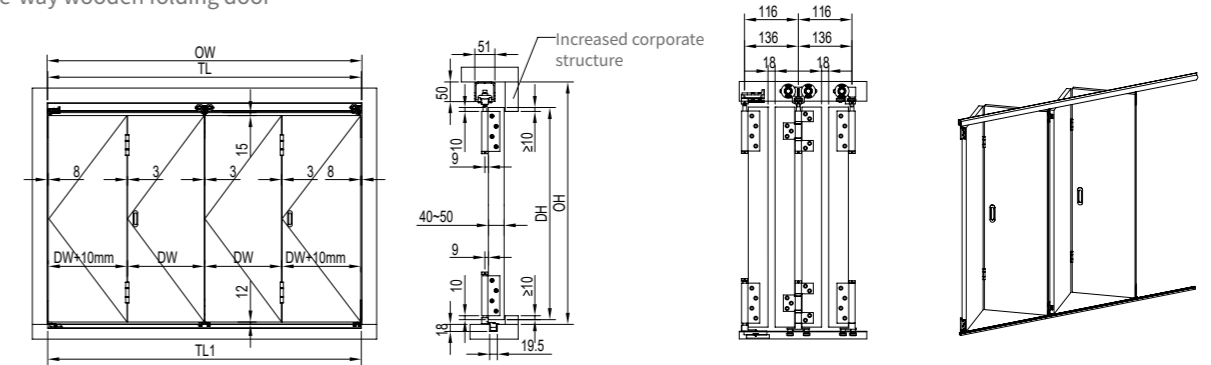
Hanging rail(Necessary Accessories)	Model number KYN91002(See P344)
Bottom guide rail	Model number KYN92002(See P344)
Concealed Handle	Model number KLS93504 (See P242)

### Accessory details



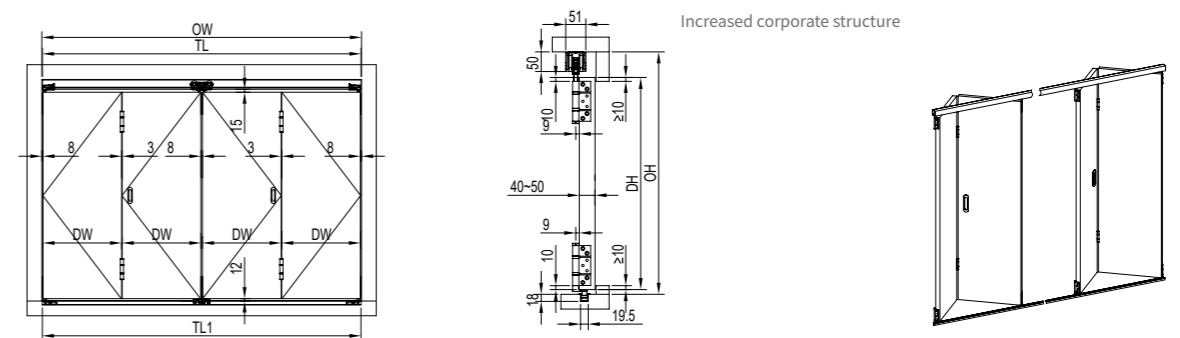
### Schematic diagram of typical configuration types

#### One-way wooden folding door



Product Model	KZD5120 L/R	KZD5130L/R	KZD5140L/R	KZD5150L/R	KZD5160L/R
Applicable door type	2Sash one-way folding	3Sash one-way folding	4Sash one-way folding	5Sash one-way folding	6Sash one-way folding
Schematic diagram					

#### two-way wooden folding doors



Product Model	KZD51220	KZD51330	KZD51440	KZD51550	KZD51660
Applicable door type	4Sash two-way folding	6Sash two-way folding	8Sash two-way folding	10Sash two-way folding	12Sash two-way folding
Schematic diagram					

### Dimension definition

Door sash height	DH
Doorway height	OH
Door sash width	DW
Doorway width	OW
Rail length	TL
Bottom guide rail length	TL1

### Calculation formula

$$DH = OH - 77$$

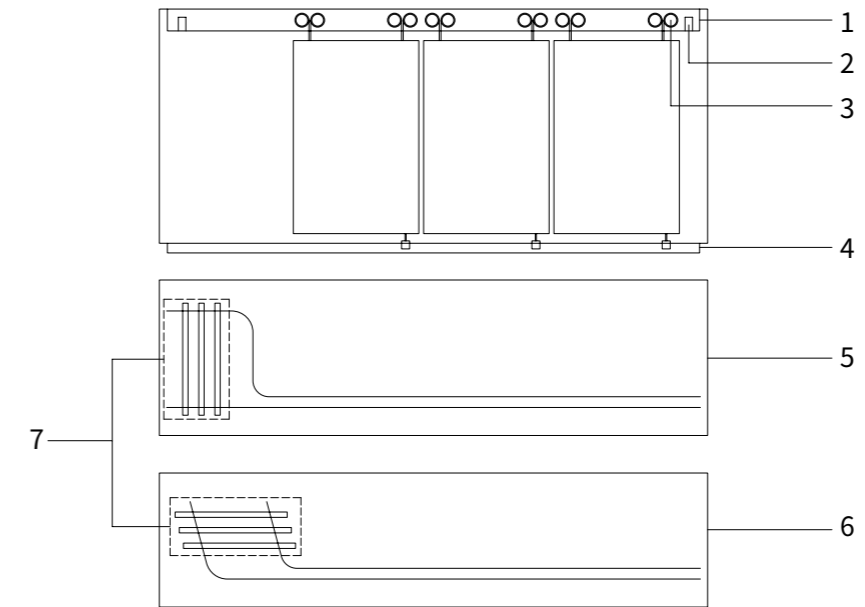
$$TL = TL1 - OW - 5$$

# 10

## Movable partition system



### Noun definition



#### 1-Hanging rail components

Use with hanging wheel to guide the running direction of movable sash

#### 2-Limit fittings

Limit pieces are accessories for limiting the travel of sliding doors, without positioning function

#### 3-Hanging wheel assembly

Mobile sash running and load-bearing components, usually composed of pulleys, bodies, connectors or galss patches

#### 4-Bottom guide rail

Used to reduce the swing of the movable sash during operation

#### 5-Vertical storage (H type)

The rear door of the movable sash is vertical to the hanging rail.

#### 6-Parallel storage (F type)

The rear door of the movable sash is parallel to the hanging rail.

#### 7-Storage area

Active sash stacking area

# Glass movable partition system KHD11/12 series

Applicable maximum door weight 125Kg

## Technical Parameters

- Suitable for unidirectional or bidirectional storage of wooden movable partitions
- Suitable for commercial and public areas
- Choose the corresponding vertical or parallel storage form according to the site environment
- Each door can slide independently to meet multiple conditions of application
- The hanging rail adopts the guidance and load separation and curved corner design, so that the complex movable sash can slide easily
- Configure the bottom guide rail to keep the door sash stable in sliding and standing state
- No bottom guide rail, beautiful floor, easy to clean
- Pulley with high tenacity, elasticity, self-lubricating functions and mutec vibration reduction
- Unilateral hanging wheel can make the movable sash automatically smooth corner
- The door sash connecting component is concealed design, the overall appearance is beautiful, the installation is convenient, and the adjustment is convenient
- Choose to configure the casement sash according to the needs of the use scenario and indoor layout



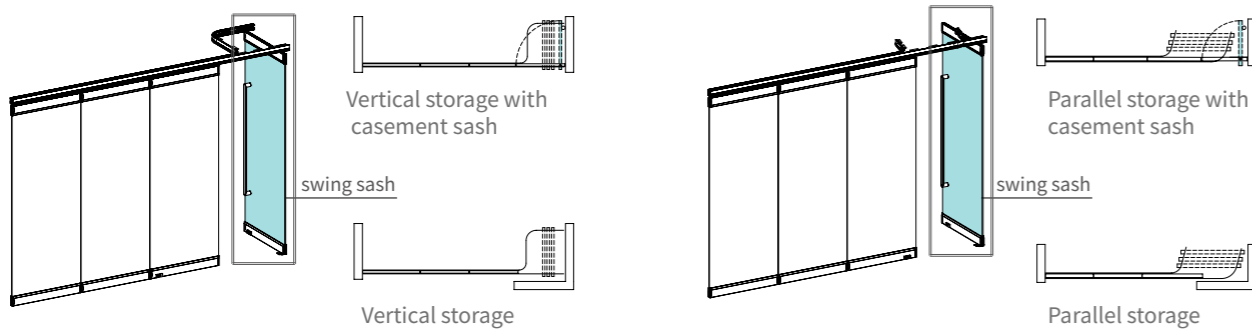
## Technical Parameters

- Applicable door weight 125Kg
- Applicable door thickness 10/12 mm
- Applicable door height ≤2500mm(without bottom guide rail) >2500mm(with bottom guide rail)
- Applicable door width 600-1200mm

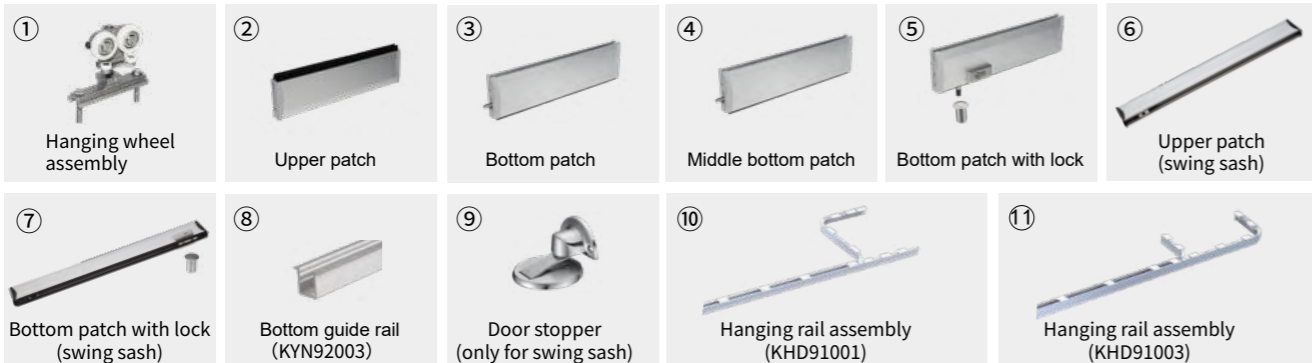
## Main materials and surface treatment

- Pulley Bearing GCr15 (natural color) + POM (white)
- Hanging wheel body 304 stainless steel (natural color)
- Glass patch Aluminum alloy (anodized, silver white)
- Positioning parts 304 stainless steel (natural color)
- Hanging rail Aluminum alloy (anodized, silver white)
- Bottom guide rail Aluminum alloy (anodized, silver white)

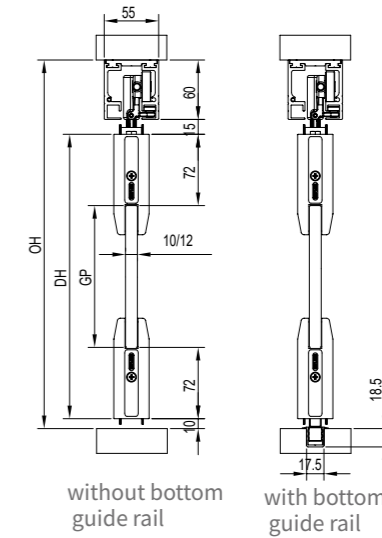
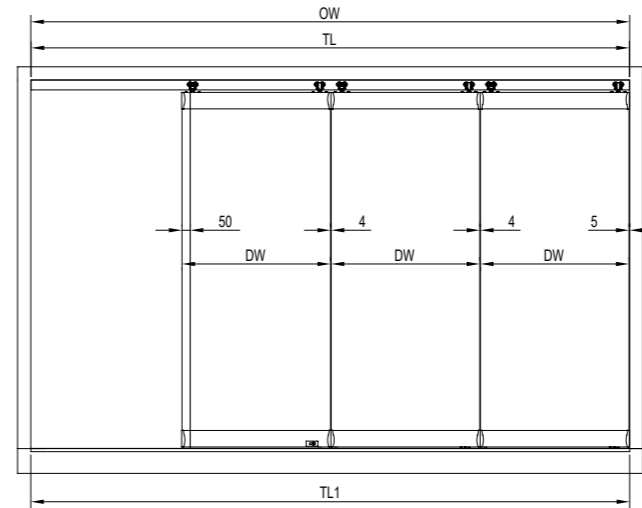
## Configuration schematic



## Accessory details



## Schematic diagram of typical configuration types



## Dimension definition

- Doorway height OH
- Doorway width OW
- Door sash width DW
- Door sash height DH
- Glass door height GP
- Hanging rail length TL
- Bottom guide rail length TL1

## Calculation formula

$DH = OH - 85$   
 $GP = OH - 230$   
 TL is depended on the actual situation

## H type without bottom guide rail configuration

Model	Door sash quantity	Diagram
KHD1130H	3 sash	(A)(B)(C)
KHD1140H	4 sash	(A)(B)(B)(C)
KHD1150H	5 sash	(A)(B)(B)(B)(C)
KHD1160H	6 sash	(A)(B)(B)(B)(B)(C)

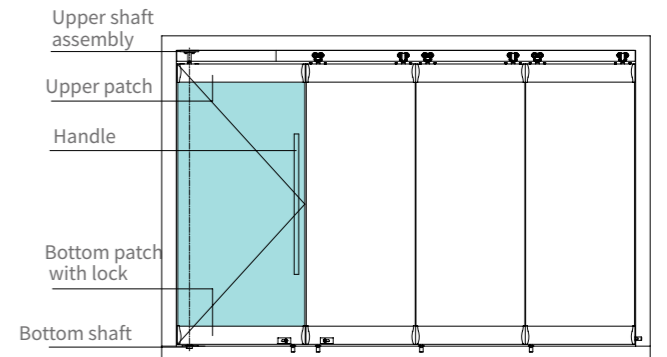
## H type with bottom guide rail configuration

Model	Door sash quantity	Diagram
KHD1230H	3 sash	(D)(E)(F)
KHD1240H	4 sash	(D)(E)(E)(F)
KHD1250H	5 sash	(D)(E)(E)(E)(F)
KHD1260H	6 sash	(D)(E)(E)(E)(E)(F)

## F type without bottom guide rail configuration

Model	Door sash quantity	Diagram
KHD1130F	3 sash	(A)(B)(C)
KHD1140F	4 sash	(A)(B)(B)(C)
KHD1150F	5 sash	(A)(B)(B)(B)(C)
KHD1160F	6 sash	(A)(B)(B)(B)(B)(C)

## Movable partition swing sash accessories KHD96001



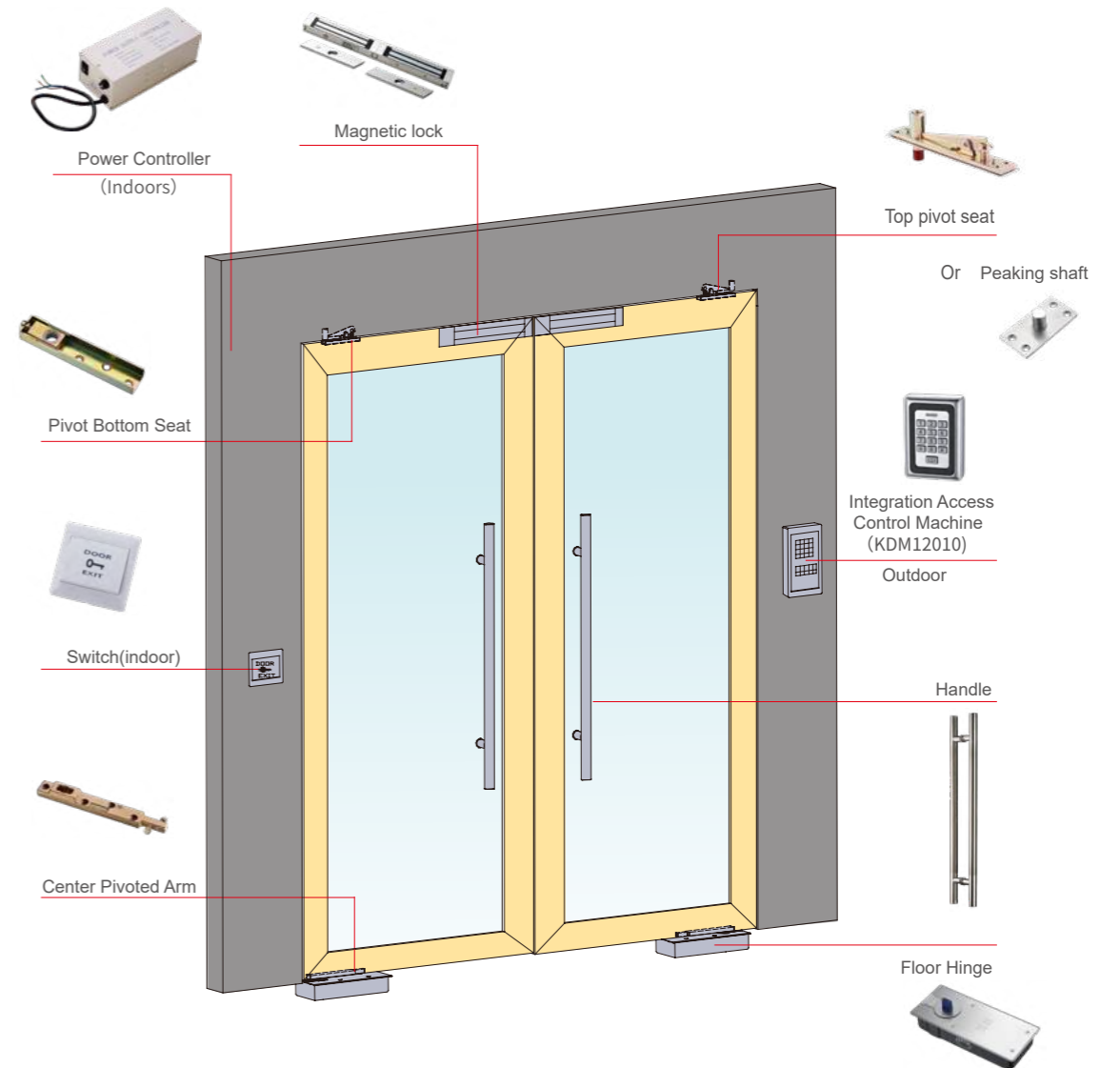
## Configuration intructions:

- Swing sash is not included in the standard configuration. When you need the swing sash accessories KHD96001 must be ordered separately.
- Swing sash accessories includes upper shaft assembly, upper patch, bottom patch with lock, and bottom shaft each.
- The swing sash must be equipped with a handle. The handle must be ordered separately, only KLS454 (see P231) applicable.
- Swing sash must be equipped with door stopper. Door stopper must be ordered separately. Recommended models SMX12215.

Accessory name	Upper shaft assembly	Upper patch	Bottom patch with lock	Bottom shaft
Diagram				

# 11

## Access control products

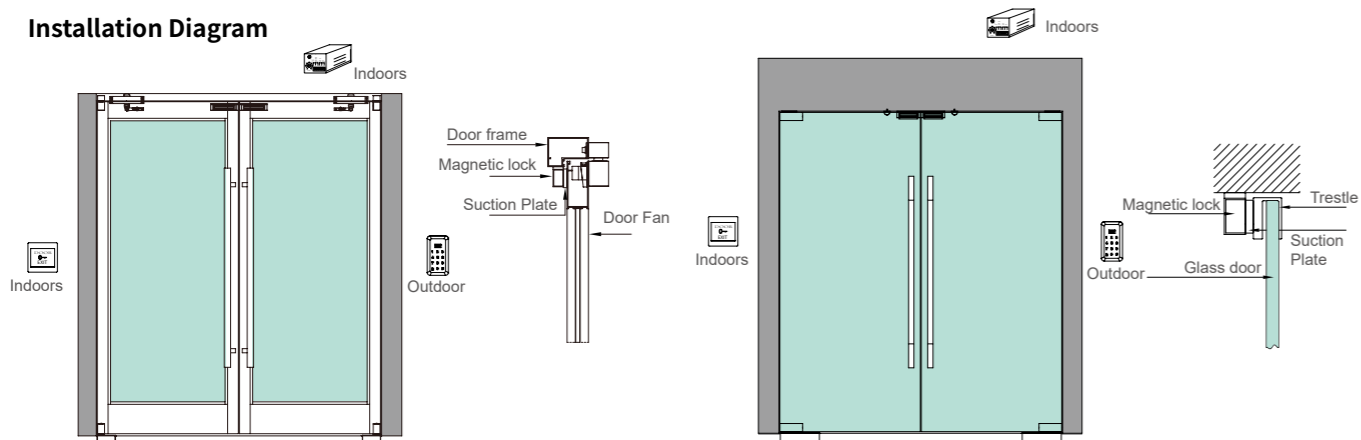


## Magnetic lock series

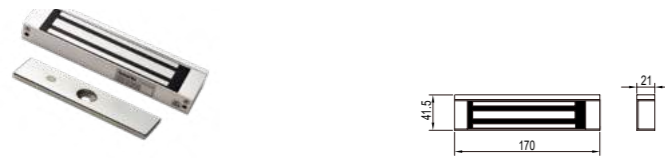
### Technical parameter

- Applicable door type: wooden door, metal door, frameless glass door (additional support is required) and other door types
- Open Mode: one-way flat opening
- Surface Treatment: Anodic oxidation
- Features: With ultra-low temperature, power-saving design
  - Pure copper coil
  - Special soft magnetic material
  - Functional stability

### Installation Diagram



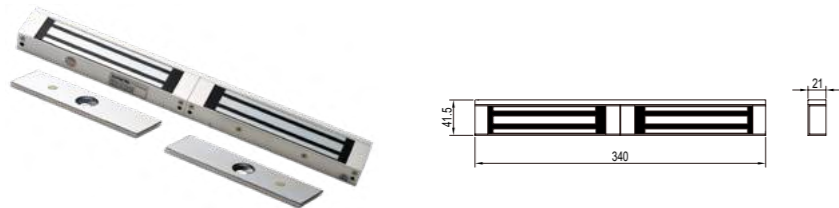
### KDS10010 Single door magnetic lock



### Technical parameter

Suction Force	140Kg (310Lbs)
Security type	Cut The power, unlock the door
Input Voltage / operating current	DC12V/300mA DC24V/150mA
Lock status output	--
Voltage error range	±15%
LEDIndication	--
Ambient temperature	-25°C~55°C
Relative humidity	No more than 85%
Applicable door thickness	≤45mm
Applicable bracket	KDF10010/KDF10040

### KDS12010 Double Door magnetic lock



### Technical parameter

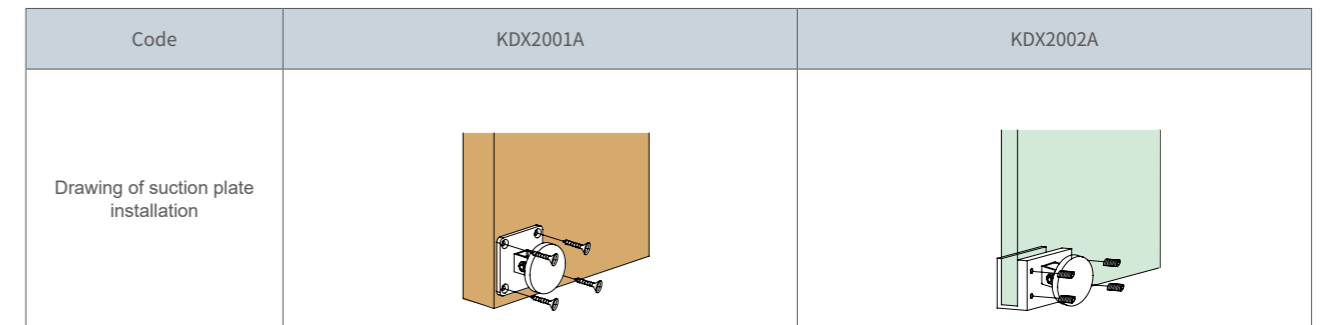
Suction Force	140Kg*2 (310Lbs*2)
Security type	Cut The power, unlock the door
Input Voltage / operating current	DC12V/300mA DC24V/150mA
Lock status output	--
Voltage error range	±15%
LEDIndication	--
Ambient temperature	-25°C~55°C
Relative humidity	No more than 85%
Applicable door thickness	≤45mm
Applicable bracket	KDF10010/KDF10040

## Electromagnetic door suction series

### Technical parameter

- Applicable door types: wooden doors, metal doors, frameless glass doors, etc.
- Opening method: keep the door normally open
- Surface treatment: chrome plated suction cup
- Features: ultra-low temperature, power saving design
  - Pure copper coil, special soft magnetic material, stable function
  - Professional anti-residual magnetism design, with manual release button
  - Pass the EU CE certification

### Installation Diagram



Note: KDX10 series main body can be installed on wall and floor, KDX20 series is only suitable for floor installation

### KDX2001A Electromagnetic Gate Suction



### Technical parameter

Security type	Power cut release
Input Voltage / operating current	DC12V/150mA DC24V/80mA
Suction Force	40Kg(88Lbs)
Manual release	√
LED indication	√
Voltage error range	±15%
Ambient temperature	-25°C~55°C
Relative humidity	No more than 85%
Body size	110*80*90
Applicable Gate	Wooden doors, framed doors
Applicable door thickness	≥20mm

### KDX2002A Electromagnetic Gate Suction

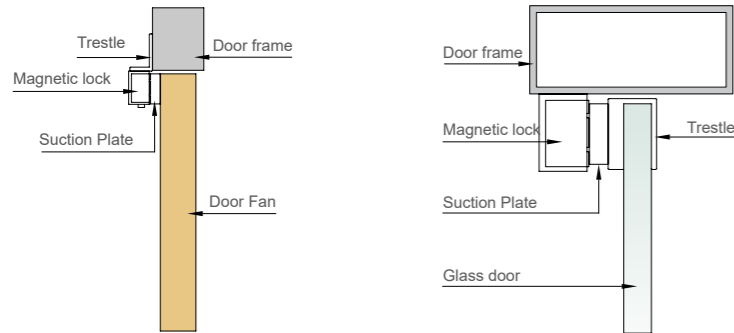


### Technical parameter

Security type	Power cut release
Input Voltage / operating current	DC12V/150mA DC24V/80mA
Suction Force	40Kg(88Lbs)
Manual release	√
LED indication	√
Voltage error range	±15%
Ambient temperature	-25°C~55°C
Relative humidity	No more than 85%
Body size	110*80*90
Applicable Gate	Frameless glass door
Suitable glass thickness	12~15mm, 19mm

## Door access control machine series

### Installation Diagram



### KDF10010 Trestle



#### Technical parameter

Contour dimension	130*41*28
Applicable magnetic lock	KDS10010/KDS12010
Glass thickness	10~<15mm
Applicable Gate	Frameless Glass Door
Mounting position	Magnetic latching plate

### KDF10040 Trestle



#### Technical parameter

Contour dimension	170*25*40
Applicable magnetic lock	KDS10010/KDS12010
Glass thickness	--
Applicable Gate	Wooden Doors, metal doors, framed glass doors
Mounting position	Magnetic lock

### KDF11030 Trestle



#### Technical parameter

Contour dimension	94*49*38
Suitable Electric Plug Lock	KDC10010/KDC10030
Glass thickness	10~15mm
Applicable Gate	Frameless glass door
Mounting position	Electric plug-lock Induction Board

## Auxiliary Accessory series

### KDF20010 Power Controller



#### Technical parameter

Boundary dimension	180*80*63
Input Voltage	AC200~240V/50Hz
Output Power	DC3~18V/3A
Access Control Connectes Point	√
Electric Lock Connected Point	√
Button Connected Point	√
Delay Function	0~30s
Output short-circuit protection	√
Battery Storage Function	--

Note: a power controller can be connected to 6 magnet doors or 2 electric locks

## Switch series

### KDK10020 Switch



#### Technical parameter

Contour dimension	86*86*34
Electrical parameter	Contact Resistance: DC 36V/3A
Selected material	PVC
Contact Selection	NO/COM

## Typical Projects

### Residential



China Resources City Qingdao  
Sanya Bay New Town  
Shanghai Beshang Bay Garden  
Xiangxie Mountain, Sanya  
Beautiful Green Lake in Xiamen  
Suzhou Xingcui Lanting  
Chengdu China Resources Yunting  
Lanzhou Yida Tiandi  
Yunzhu Garden, Guangzhou  
Haikou beautiful coast  
Boao Coral Bay, Haikou  
Sanya Bay beautiful five areas  
Qingdao Qingtie China Resources City  
Beijing Sub-center  
Zhongshan Ocean New World  
Xinxiang Huiyi Yue Residence  
Nanning Yunjingshan Language City

Dalian Zhongxin Fengyue City  
Wuhan Contemporary City of Nations  
Shenzhen Huashengfeng Hui Tea Palace  
Ningbo Linhai Tianjun Residence  
Xiamen Special House Yinxi Villa  
Shenzhen Linghong Health Home  
Dongguan Golden Mid-Levels Garden  
Shanghai Fengxian Nanqiao New Town  
Hangzhou Poly Central Mansion  
Xiongan Citizen Service Center  
One Tiantai Academy, Qingdao  
Ningbo Social Welfare Center  
Haikou Blue Bay town Lily Garden  
Chengdu Chinese Business Financial Center  
Haikou New World Tourist Holiday Center  
Zhangjiakou Miyuan Prince Skiing town

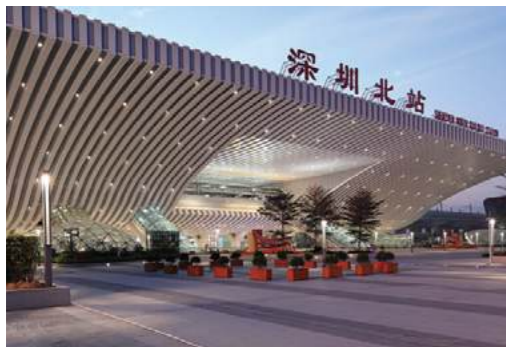
### Hotel



Dunhuang International Hotel  
Nanning Qianjing Hotel  
Harbin Wanda Hotel  
Zhuhai Manhattan Hotel  
Dongguan Hilton Hotel  
Guangzhou Poly Intercontinental Hotel  
Guangzhou Changlong Xiangjiang Hotel  
China Yucheng Five-star Hotel  
Hangzhou Victoria Hotel  
Hefei Wanda Wenhua Hotel  
Beijing Fengtai Marriott Hotel  
Hyatt Regency Shanghai Global Harbor  
Hefei China Railway Hotel  
Qingdao Hilton Hotel  
Chengdu Hilton Hotel  
Suzhou Xiangyi Hotel  
Fuzhou Mindu Hotel  
Nanning Courtyard Hotel

Four Seasons Hotel in Kuala Lumpur  
Haikou Hilton Hotel  
Dali Hilton Hotel  
Dali International Hotel  
Hengda Pearl River New City Hotel  
Crowne Plaza Thousand Island Lake  
Moroccan Hotel  
Myanmar Jinding Hotel  
Qiandao Lake New World Hotel  
Qatar Five-star Hotels  
Shanghai Xianglun Garden Hotel  
Urumqi Wenhua Hotel  
Harbin Shangri-La Hotel  
Hainan Shangri-La Hotel  
Sanya Atlantis Hotel  
Sanmenxia Swan International Hotel  
Qinhuangdao Shangri-La Hotel

### Metro/ High-Speed Rail



Beijing Metro  
Shanghai Metro  
Guangzhou Metro  
Futian subway  
Chengdu Metro  
Xiamen Metro  
Wuhan Metro  
Xi'an Metro  
Ningbo Metro  
Hangzhou Metro

Zunyi High-speed Railway  
Kaifeng High-speed Railway  
Chongqing High-speed Railway  
Guangxi High-speed Railway  
Suzhou High-speed Railway  
Hefei High-speed Railway  
Wuhu High-speed Railway  
Huangshan High-speed Railway  
Guiyang High-speed Railway  
Nanjing High-speed Railway

Daqing High-speed Railway  
Yungui High-speed Railway Station  
Wuzhou High-speed Railway  
Handan High-speed Railway  
Kunshan High-speed Railway  
Zhengzhou High-speed Railway  
Emei High-speed Railway  
Foshan High-speed Railway  
Harbin High-speed Railway  
Hohhot High-speed Railway

## Typical Projects

### Airport



Hong Kong Airport  
Pudong International Airport  
Wuhan Tianhe Airport  
Hengyang Nanyue Airport  
Jiangbei International Airport  
Malabo International Airport  
Shanghai Hongqiao International Airport  
Xiamen Gaoqi International Airport  
Zhengzhou Xinzheng International Airport  
Ningbo Lishe International Airport  
Xiangyang Airport  
Baotou International Airport  
Xinjiang Hotan Airport  
Liuzhou Bailian Airport  
Tongren Phoenix Airport

Jinzhou Bay International Airport  
Nanning Wusong International Airport  
Sanya Phoenix International Airport  
Guiyang Longdongbao International Airport  
Haikou Meilan International Airport  
Hanoi Airport  
Korla Airport  
Liberia Airport  
Philippines Manila Airport  
Togo Lome International Airport  
Jordan Queen Alia Airport  
Zambia Lusaka International Airport  
Samoa Faleolo International Airport  
Nigeria Abuja International Airport

### Office Building



Beijing Modern Office Building  
Yancheng City Office Building  
State Post Office Building  
Guangdong Yanjing Beer Office Building  
Dongguan First International Office Building  
Chengdu LH Group Office Building  
Zhengzhou Shenzhen Airlines Business Office Building  
Xi'an Scenic Royal Garden Office Building  
Wanli Shangtai Research Office Building  
Zhangjiagang United Front Office  
Shaoxing Country Garden Office Building  
Tencent Chengdu Technology Office Building  
Shimao Riverside Headquarters Office Building  
Hebei Provincial People's Government Office Building  
Ivorian Ministry of Foreign Affairs Office Building

Beijing Government Service Center Office Building  
Pudong Development Bank Qingdao Office Building  
Guangxi Water Conservancy and Electric Power Business Office Building  
Jiangsu Jiangnan Industrial Group Office Building  
Chengdu Dayuan International Center Office Building  
Guangya Aluminum Industry Office Building  
Qihoo 360 office building  
Microsoft Suzhou Branch Office Building  
Ruiyuan - Mingjia International Office Building  
Kunshan City Procuratorate Office Office  
Chengdu Huaxi Securities Headquarters Office Building  
Taiyuan Intermediate People's Court Office Building  
Agricultural Bank Suzhou Branch Office Building  
Peking University Nanning Affiliated School Office Building

### Large-scale Public Building Project



Beijing Water Cube  
Tianjin Stadium  
Jiading Stadium  
Guangzhou Asian Games City  
Guangzhou Science City  
Shanxi Grand Theatre  
International Exhibition Center  
China Port Museum  
China Silk Museum  
National South China Sea Museum  
Changsha International Convention and Exhibition Center  
Xinjiang International Convention and Exhibition Center  
Nanjing Youth Olympic Sports Park  
Shenyang International Exhibition Center  
Shenyang New World Convention and Exhibition Center

Southern University of Science and Technology Gymnasium  
Guangzhou International Sports Performance Center  
Kunming Dianchi International Convention and Exhibition Center  
China Exhibition and Convention Center (Shanghai)  
Xixia Museum  
Datong Museum  
Senegal Museum  
Xiamen International Convention and Exhibition Center  
Ordos Sports Center  
Xilin Gol International Convention and Exhibition Center  
Yunqi Town International Convention and Exhibition Center  
Wuzhen Internet International Convention and Exhibition Center  
Nanjing Museum Dunhuang Silk Road  
Strait Intangible Cultural Heritage Ecological Park