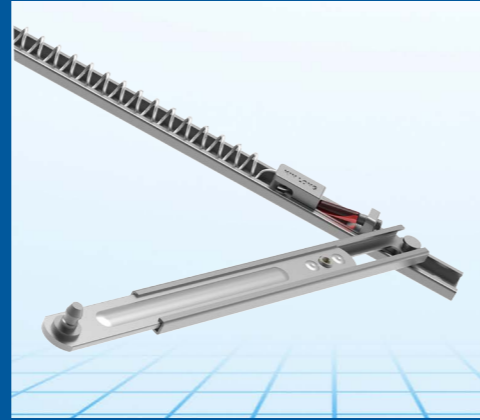


* All rights reserved.
* Copyright is owned by KIN LONG. Any copying or printing is strictly forbidden.
All products have been patented in China, and imitation is strictly forbidden.
* otherwise, any violators will bear the legal responsibility.
* Printed in May, 2023.

KIN LONG

KIN LONG
For Better Living

U Groove Door&Window Hardware Catalogue (UPVC/Aluminum Wood Composite/Solid Wood)



U Groove Door&Window Hardware Catalogue
(UPVC/Aluminum Wood Composite/Solid Wood)



Guangdong Kinlong Hardware Products Co., Ltd.

No.3, Jian Lang Rd., Tangxia Town, Dongguan City, China.

T: 0086-769-82166666 82136666
F: 0086-769-82955240 82955241
E: mail@kinlong.com
H: www.kinlong.com

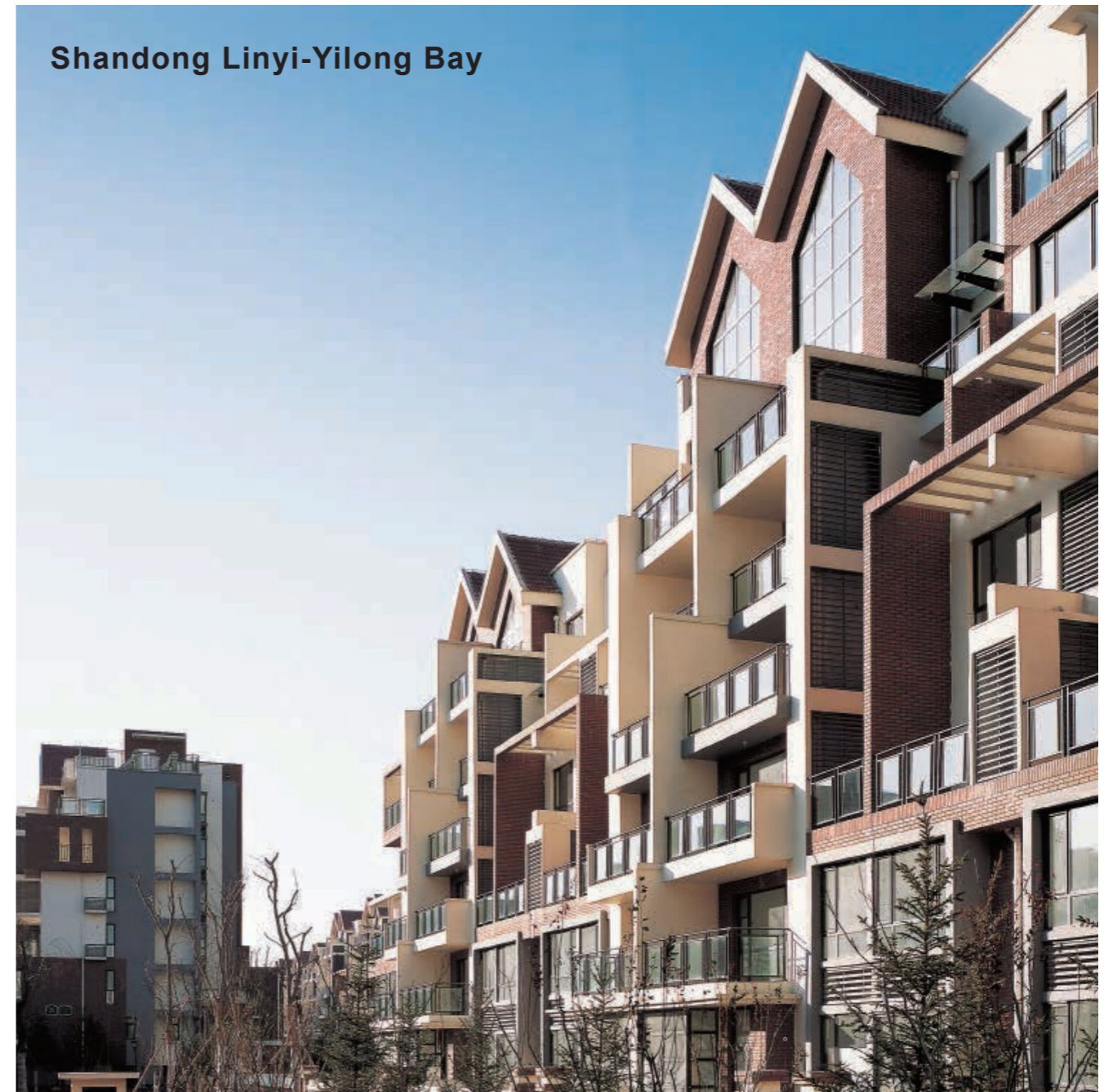
www.kinlong.com

Content

Features of Kinlong UPVC Door & Window Hardware.....	01
U groove profile requirement for Kinlong Door & Window Hardware	02-03
I、 Turn-and-Tilt Window Series.....	04-13
II、 Tilt-and -Turn Window Series.....	14-15
The instruction of Turn-and-Tilt window and Tilt-and-Turn Window system	16-17
III、 Open-in Side-hung Window Series.....	18-37
IV、 Double-sash Window with Fake Mullion.....	38-39
The installation instruction of Open-in Side-hung Window System	40-41
V、 Open-out Side-Hung Window Series.....	42-45
VI、 Open-out Top-Hung Window Series	46-47
The installation instruction of Open-out Window System.....	48-49
VII、 Sliding Window Series.....	50-53
VIII、 Sliding Door Series.....	54-57
IX、 Lifting and Sliding Door Series	58-59
The installation instruction of Sliding Window&Door system	60-61
X、 Side Hung Door Series.....	62-71
The installation instruction of side Hung Door system	72-73
XI、 Handle Series	74-91
XII、 Pivot Hinge Series.....	92-107
UPVC Door&Window Duplicator Series	108-110
XIII、 Sliding Hardware Series	111-124
XIV、 Corner Device, Connecting Rod, Linking Rod Series	125-131
XV、 Transmitter Series	132-143
XVI、 Door Lock and Cylinder Series.....	144-146
XVII、 Limit device, safety buckle series.....	147-147
XVIII、 Friction Stay Series	148-151
XIX、 Frame Accessory Series.....	52-161
XX、 Solid Wood/Composite Window Configuration Series.....	162-181
XXI、 Solid Wood/Composite Window Accessory Series	182-190
XXII、 Die-cutting Machine	191-191
XXIII、 Finished Projects.....	192-193

**Kinlong U Groove Door & Window Hardware Product Features :
Safe, Durable, Humanized**

Shandong Linyi-Yilong Bay

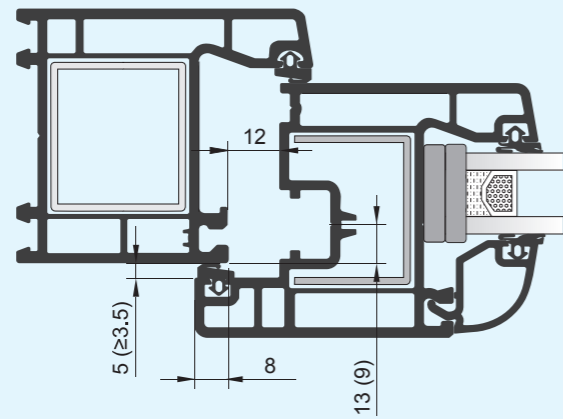


U Groove Profile Requirement for Kinlong Door&Window Hardware

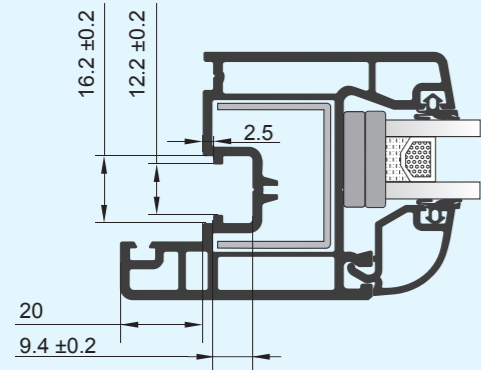
Kinlong hardware is applicable to standard european U-groove profile of solid wood/wood-clad aluminium/aluminium-clad wood/PVC/aluminium. the specific requirements are as follows: (Remark: All specification is after surface treatment)

PVC profile specification

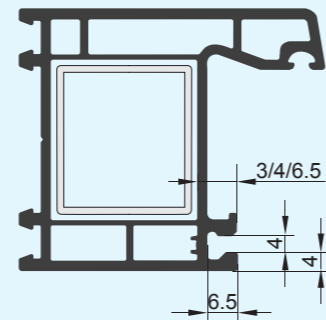
Required dimension for frame and sash



Required dimension for sash profile

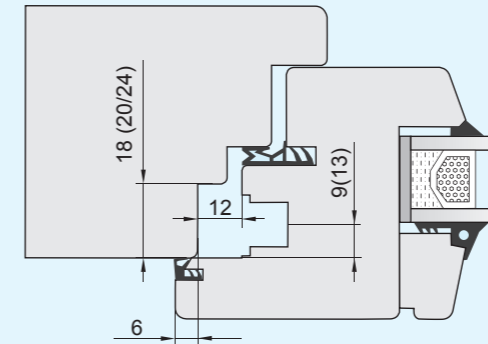


Required dimension for frame profile

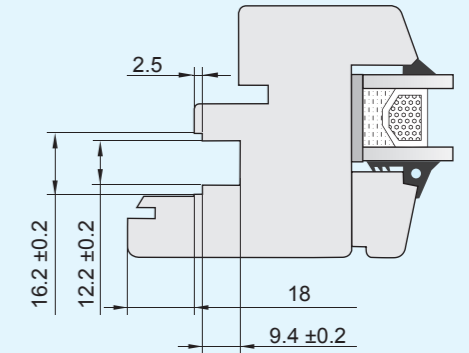


Solid wood profile specification

Required dimension for sash and frame

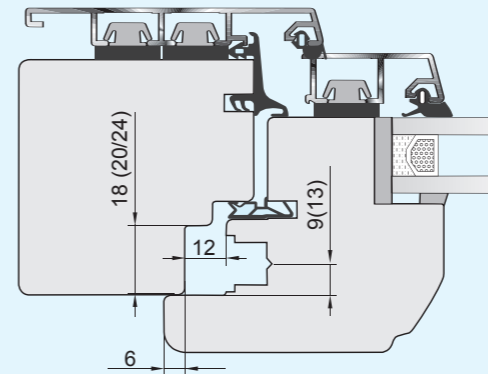


Required dimension for sash profile

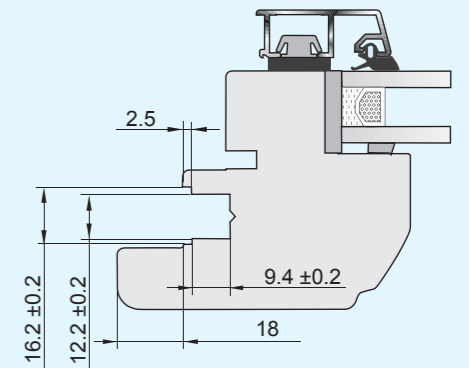


Aluminum-clad wood profile specification

Required dimension for sash and frame

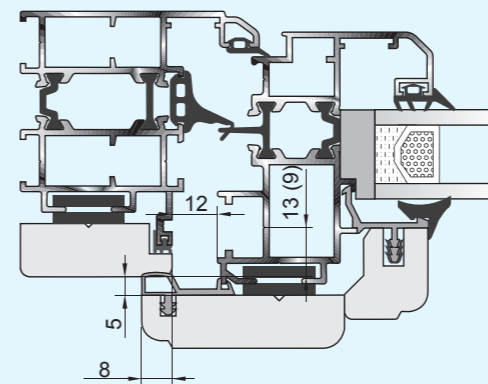


Required dimension for sash profile

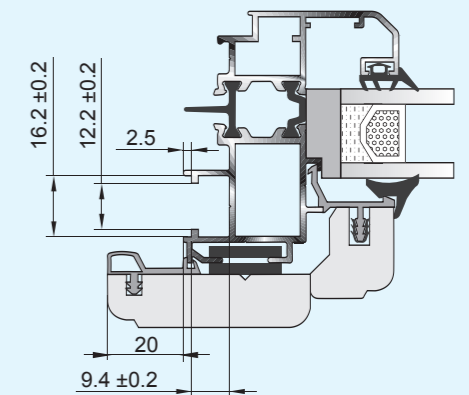


Wood-clad aluminum profile specification

Required dimension for sash and frame



Required dimension for sash profile



U-PVC Turn-and-Tilt Widow Hardware Series-SCPX100

Awarded the certificate of german IFT testing agency

The turn-and-tilt window hardware system for U groove PVC window launched by Kinlong, combines the special structure design of ventilation and position locking point, touching structure corner device(transmitter), and three-dimensional adjustable pivot hinges with high load-bearing. High-quality process of high anti-corrosion alloy coating brings different types of customers optimal perform ace ratio and wonderful using experience.

IFT-Rosenheim windows & doors technology research Institution in german, is the top testing and standards development agency in the world, whose products certification and quality supervision certificates are widely accepted in the market and recognized as proof of product quality.

The U groove turn-and-tilt window hardware system of Kinlong, after more than one year of exploration and experiment, based on the foundation of structural design innovation and craft improvement, passes the test of IFT at once and becomes the first domestic one to pass IFT.



U-PVC Turn-and-Tilt Widow Hardware Series-SCXP100

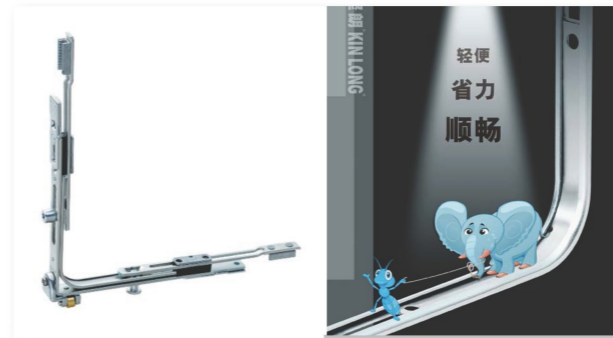
Crafted

We provide two plans of corrosion-resistant with standard and high degree for U groove PVC open-in bottom-hung hardware. It adopts high corrosion-resistant alloy coating process and the degree of antirust is over 5 (salt-spray test time is more than 1000 hours). It can be used on U groove pvc window of standard 12/20-9, 12/20-13, the bearing capacity of which can be 130kg, suitable for the sash width 320mm-1000mm, sash height 490mm-1800mm, and it is your perfect companion for high-quality energy-saving windows.



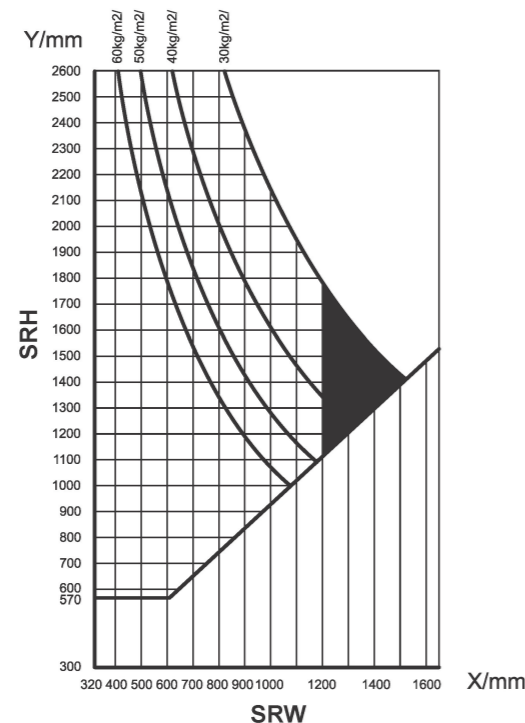
Superior quality

For the windows of multi-point lock, whether the whole window hardware system operation smoothly or not depends on the design of corner device and the smooth of transmitter. The special design of KIN LONG point touching and sliding structure makes the corner device operate smoothly and the opening and closing of the window easily.



The load-bearing curve of pivot hinge

The load-bearing curve of 90kg pivot hinge



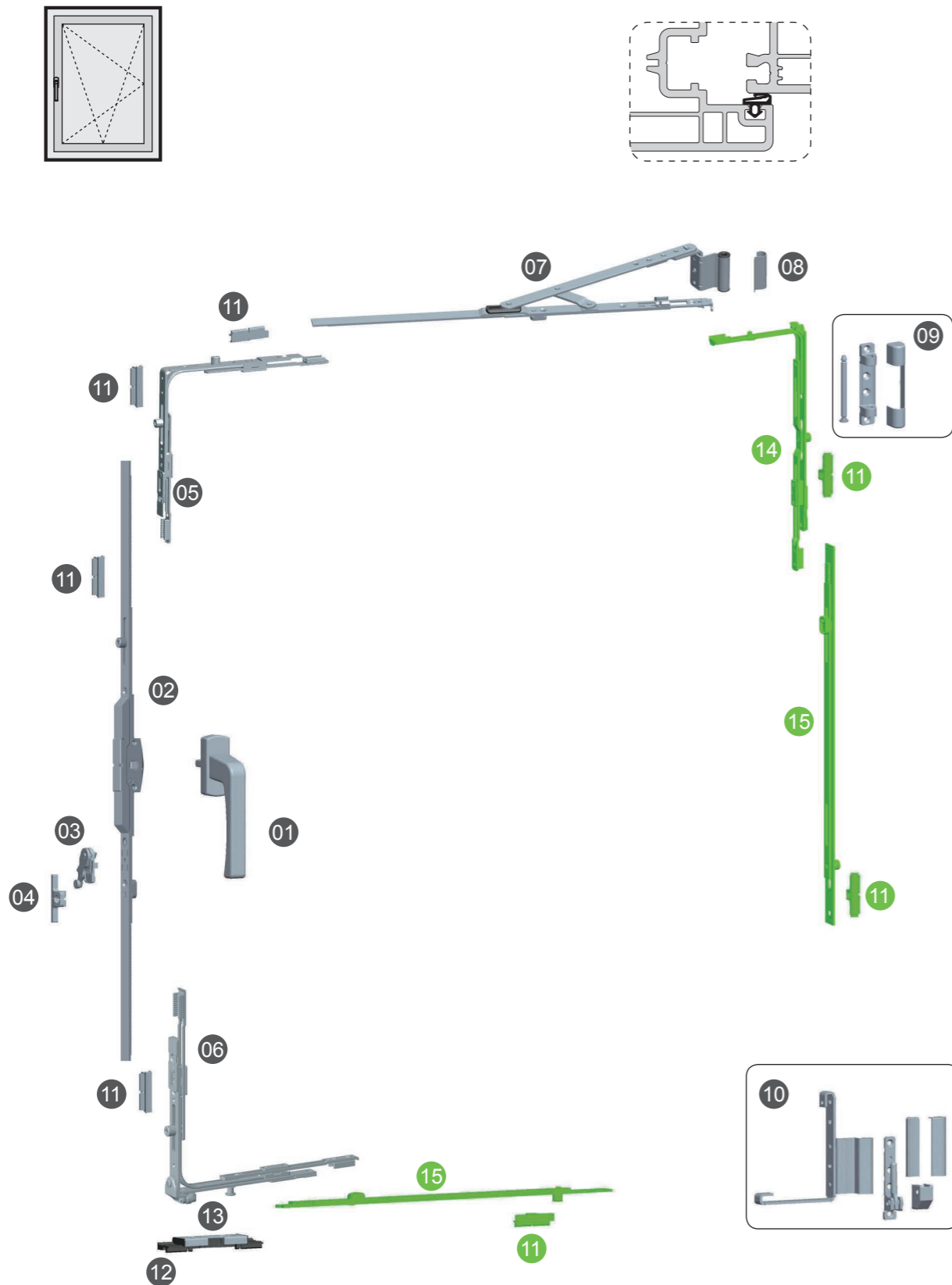
Remark: The shaded area needs to add a second control

Safe and practical

With two ways of error-prevention function, it can prevent the wrong operation among the 3 conditions of open or close, and avoid the use disorder and safety risks. Meanwhile, It is equipped with the concealed safety accessory-safety corner device, which is installed at the upper corner of window and can change the status of locking point to limit the opening, especially to limit operating of children and specific populations, increasing the safety and windows style.



1-1 SCPX100 Series Turn-and-Tilt Window Hardware System



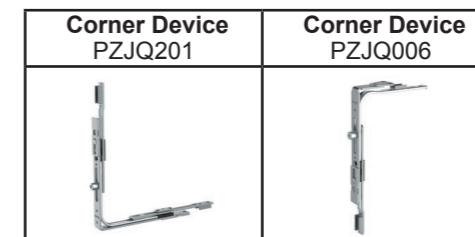
Hardware Configuration for SCPX100 Series

Number	Product Name	Code	QTY	Page	Remark
01	Handle	PZSN001	1	77	Optional, please indicate the color while placing order
02	Transmitter	PCDQN47509-12	1	132	Depends on window system
03	Anti-misoperation device	PFWQR001	1	132	Left & Right
04	Anti-misoperation block	PFWK00109A	1	159	Divided into9、13series
05	Corner device	PZJQ204	1	126	Optional
06	Corner device	PZJQ202	1	126	
07	Connecting rod	PLGNXR10904-06	1	130	Left & Right, divided into9、13series, depends on window system
08	Outer cover	PHYSN002-03A	1	130	Please indicate the color while placing order
09	Upper pivot hinge	PHYSN003	1	92	Please indicate the color while placing order, standard hardware can be purchased by sets or pieces
10	Bottom pivot hinge	PHYXNR0109	1	98	Left & Right, divided into9、13series, please indicate the color while placing order, standard hardware can be purchased by sets or pieces
11	Locking plate	PSK20109	4	153	Divided into9、13series, depends on the quantity of locking points
12	Supporting block	PZCZ00109	1	157	Divided into9、13series, optional
13	Supporting cap	PZCG00109	1	158	Divided into9、13series
14	Corner device	PZJQ203	1	126	
15	Side transmission rod	PBCDG004	2	131	

Optional Handle



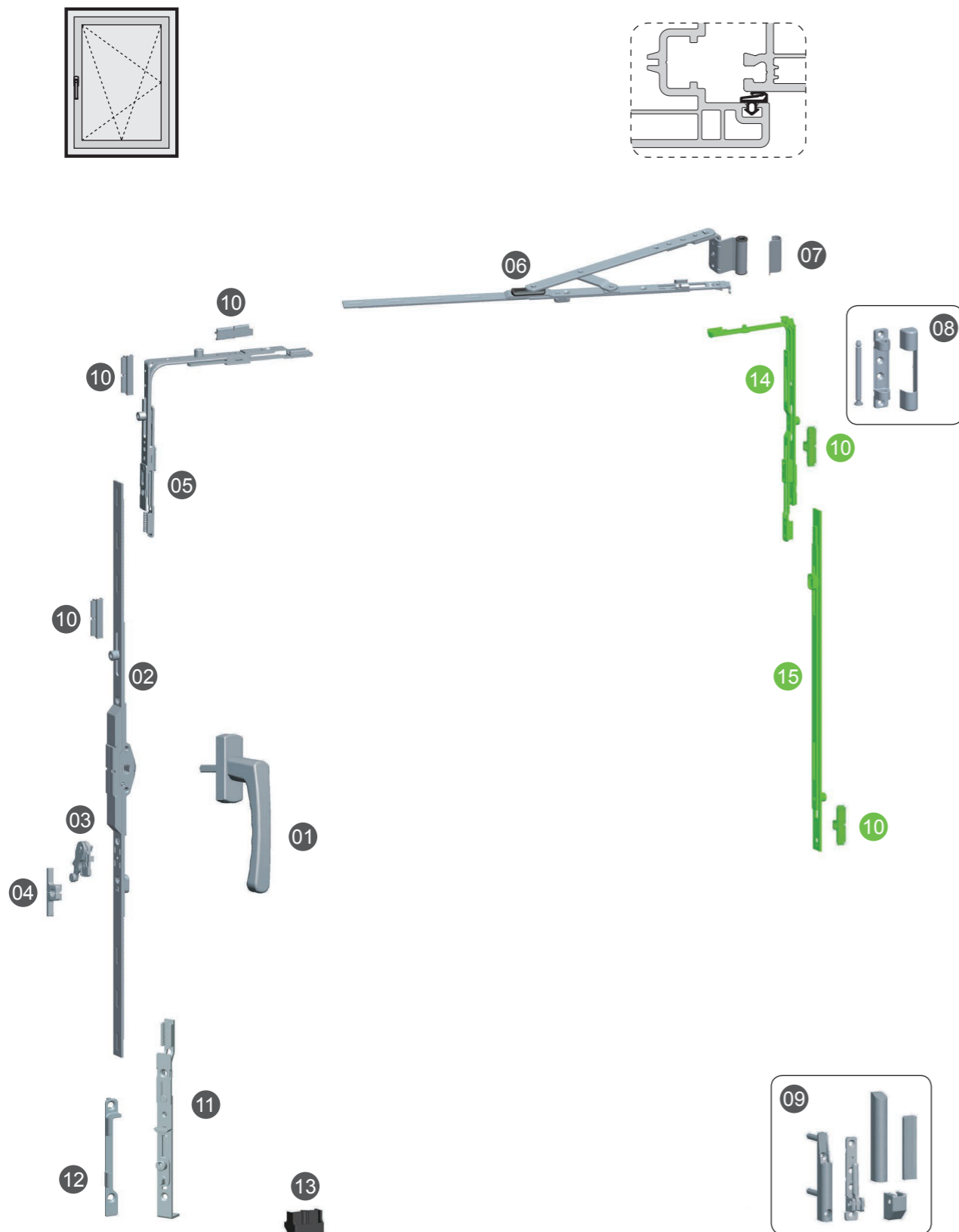
Optional Corner Device



Configuration instruction

- Above configuration is applicable to "9" series PVC profile, besides there is "13" series configuration.
- Items in green are optional.
- This configuration is applicable to (including the selective items) sash with height ranged from 901mm to 1200mm and width ranged from 430mm to 600mm. this system can meet the requirement of the sash groove height 490mm-1800mm and the width 320mm-1000mm, according to the parameters of each accessory. for details, please refer to the product series of this catalogue. It is recommended to keep the window ratio (width/height). (W)1:1.5(H)
- The maximum load bearing capacity of this configuration is 90kg, the load bearing capacity depends on the pivot hinge, please refer to pivot hinge series: the sash weight (including the weight of glass, sash profile and other accessories) X1.4 (safety coefficient) ≤ the maximum load bearing capacity of the pivot hinge.
- If need to increase the safety, then hardware with anti-theft locking point can be selected.
- The above is only for reference. please consult our technical department for sepecific requiement.

1-2 SCPX200 Series Turn-and-Tilt Window Hardware System



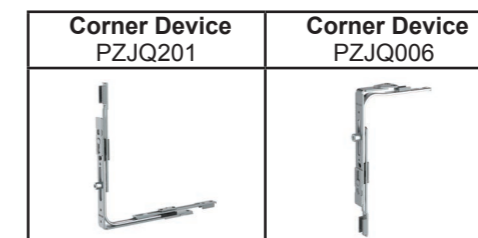
Hardware Configuration for SCPX200 Series

Number	Product Name	Code	QTY	Page	Remark
01	Handle	PZSN007	1	78	Optional, please indicate the color while placing order
02	Transmitter	PCDQN47509-12	1	132	Depends on window system
03	Anti-misoperation device	PFWQR001	1	132	Left & Right
04	Anti-misoperation block	PFWK00109A	1	159	Divided into9、13series
05	Corner device	PZJQ204	1	130	Optional
06	Connecting rod	PLGNXR10904-06	1	130	Left & Right、divided into9、13series、depends on window system
07	Outer cover	PHYSN002-03A	1	126	Please indicate the color while placing order
08	Upper pivot hinge	PHYSN003	1	92	Please indicate the color while placing order, standard hardware can be purchased by sets or pieces
09	Bottom pivot hinge	PHYXN002	1	92	Please indicate the color while placing order, standard hardware can be purchased by sets or pieces
10	Locking plate	PSK20109	3	153	Divided into9、13series、depends on the quantity of locking points
11	Overturn supporter	PFZZCN001A	1	127	
12	Tilting locking plate	PQZSKR00209	1	156	Left & Right、divided into9、13series
13	Lifting block	PTSK001	1	159	
14	Corner device	PZJQ203	1	126	
15	Side transmission rod	PBCDG004	1	131	

Optional Handle



Optional Corner Device

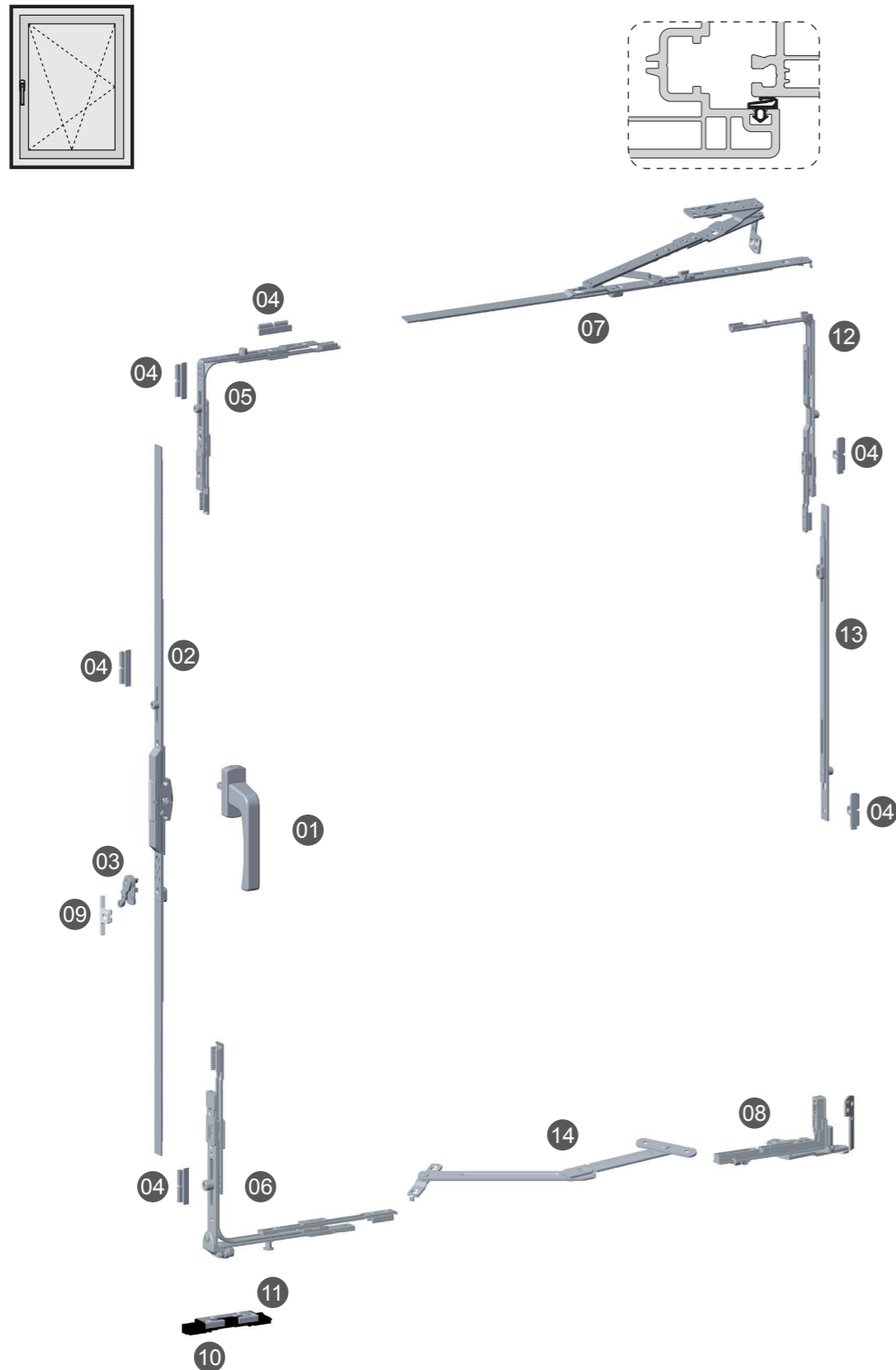


Configuration instruction

- Above configuration is applicable to "9" series PVC profile, besides there is "13" series configuration.
- Items in green are optional.
- This configuration is applicable to (including the selective items) sash with height ranged from 901mm to 1200mm and width ranged from 430mm to 600mm. this system can meet the requirement of the sash groove height 490mm-1800mm and the width 320mm-1000mm, according to the parameters of each accessory. for details, please refer to the product series of this catalogue. It is recommended to keep the window ratio (width/height). (W)1:1.5(H)
- The maximum load bearing capacity of this configuration is 90kg, the load bearing capacity depends on the pivot hinge, please refer to pivot hinge series: The sash weight (including the weight of glass, sash profile and other accessories) X1.4 (safety coefficient) ≤ the maximum load bearing capacity of the pivot hinge.
- If need to increase the safety, then hardware with anti-theft locking point can be selected.
- The above is only for reference. please consult our technical department for sepecific requirement.

1-3 SCPX300 Series Concealed Turn & Tilt Window Hardware System

Hardware Configuration for SCPX300 Series

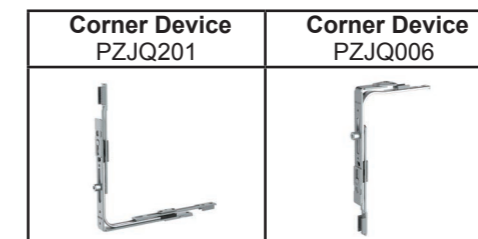


Number	Product Name	Code	QTY	Page	Remark
01	Handle	PZSN001	1	77	Optional, please indicate the color while placing order
02	Transmitter	PCDQN47509-12	1	132	Depends on window system
03	Anti-misoperation device	PFWQR001	1	132	
04	Locking plate	PSK20109	6	153	Divided into9、13series, depends on the quantity of locking points
05	Corner device	PZJQ204	1	126	Optional
06	Corner device	PZJQ202	1	126	
07	Concealed pull rod	PYLGNXR00905-07A	1	128	Left & Right、divided into9、13series, Depends on window system
08	Concealed bottom hinge	PYHYXR0039A	1	102	Left & Right、divided into9、13series
09	Anti-misoperation block	PFWK00109A	1	159	Divided into9、13series
10	Supporting seat	PZCZ00309	1	157	
11	Supporting seat	PZCG00109	1	158	Divided into9、13series
12	Corner device	PZJQ203	1	126	
13	Side transmission rod	PBCDG004	1	131	
14	Limiter	PFC0900	1	147	

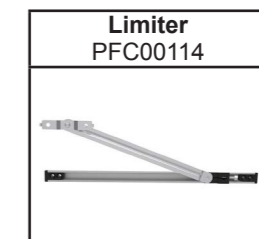
Optional Handle



Optional Corner Device



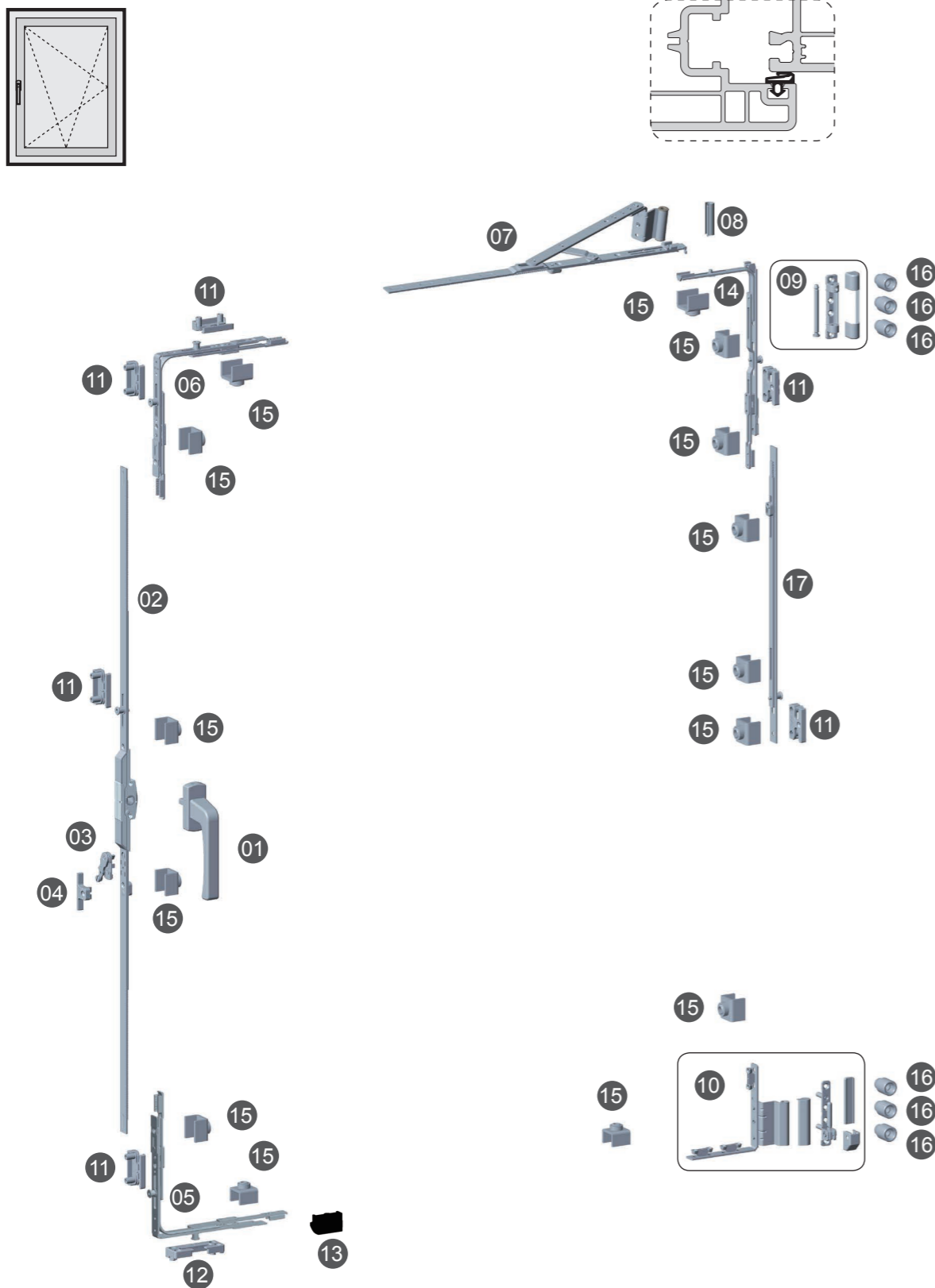
Optional Limiter



Configuration instruction

- Above configuration is applicable to "9" series PVC profile, besides there is "13" series configuration.
- This configuration is applicable to (including the selective items) sash with height ranged from 901mm to 1200mm and width ranged from 520mm to 720mm. This system can meet the requirement of the sash groove height 490mm-1800mm and the width 410mm-720mm, according to the parameters of each accessory. for details, please refer to the product series of this catalogue. It is recommended to keep the window ratio (width/height). (W):1:1.5(H)
- The maximum load bearing capacity of this configuration is 90kg, the load bearing capacity depends on the pivot hinge, please refer to pivot hinge series:
The sash weight (including the weight of glass, sash profile and other accessories) X1.4 (safety coefficient) ≤The maximum load bearing capacity of the pivot hinge.
- If need to increase the safety, then hardware with anti-theft locking point can be selected.
- In order to ensure the tightness of the system, corner device PZJQ203 must be installed on the hinge side.
- The above is only for reference. please consult our technical department for sepecific requirment.
- Every 5000 times repeatedly open and close the concealed upper hinge and the bottom hinge for lubrication and maintenance, to ensure the normal service life of products.

1-4 SCPX400 Series Fire-Resistant Turn & Tilt Window Hardware System



Hardware Configuration for SCPX400 Series

Number	Product Name	Code	QTY	Page	Remark
01	Handle	PZSN001	1	77	Optional, please indicate the color while placing order
02	Transmitter	PCDQFD47509-12	1	132	Depends on window system
03	Anti-misoperation device	PFWQR001	1	132	Left & Right
04	Anti-misoperation block	PFWK00113B	1	159	Divided into9、13series
05	Corner device	PZJQFD202WTS	1	---	
06	Corner device	PZJQFD204	1	126	Optional
07	Connecting rod	PLGNXR11304-06	1	130	Left & Right, divided into9、13series, Depends on window system
08	Outer cover	PHYSN002-03A	1	130	Please indicate the color while placing order
09	Upper pivot hinge	PHYSN004	1	92	Please indicate the color while placing order, Standard hardware can be purchased by sets or pieces
10	Bottom pivot hinge	PHYXNR00913	1	97	Left & Right, divided into9、13series, please indicate the color while placing order, standard hardware can be purchased by sets or pieces
11	Locking plate	PSK01713A	6	155	Divided into9、13series, depends on the quantity of locking points
12	Supporting seat	PZCZ00513A	1	159	Divided into9、13series
13	Lifting block	PTSK001	1	159	
14	Corner device	PZJQFD203	1	---	
15	Sash connecting block	PSLJK02	14	161	
16	Frame connector	PKLJK02	6	161	
17	Side transmission rod	PBCDGF004	1	---	

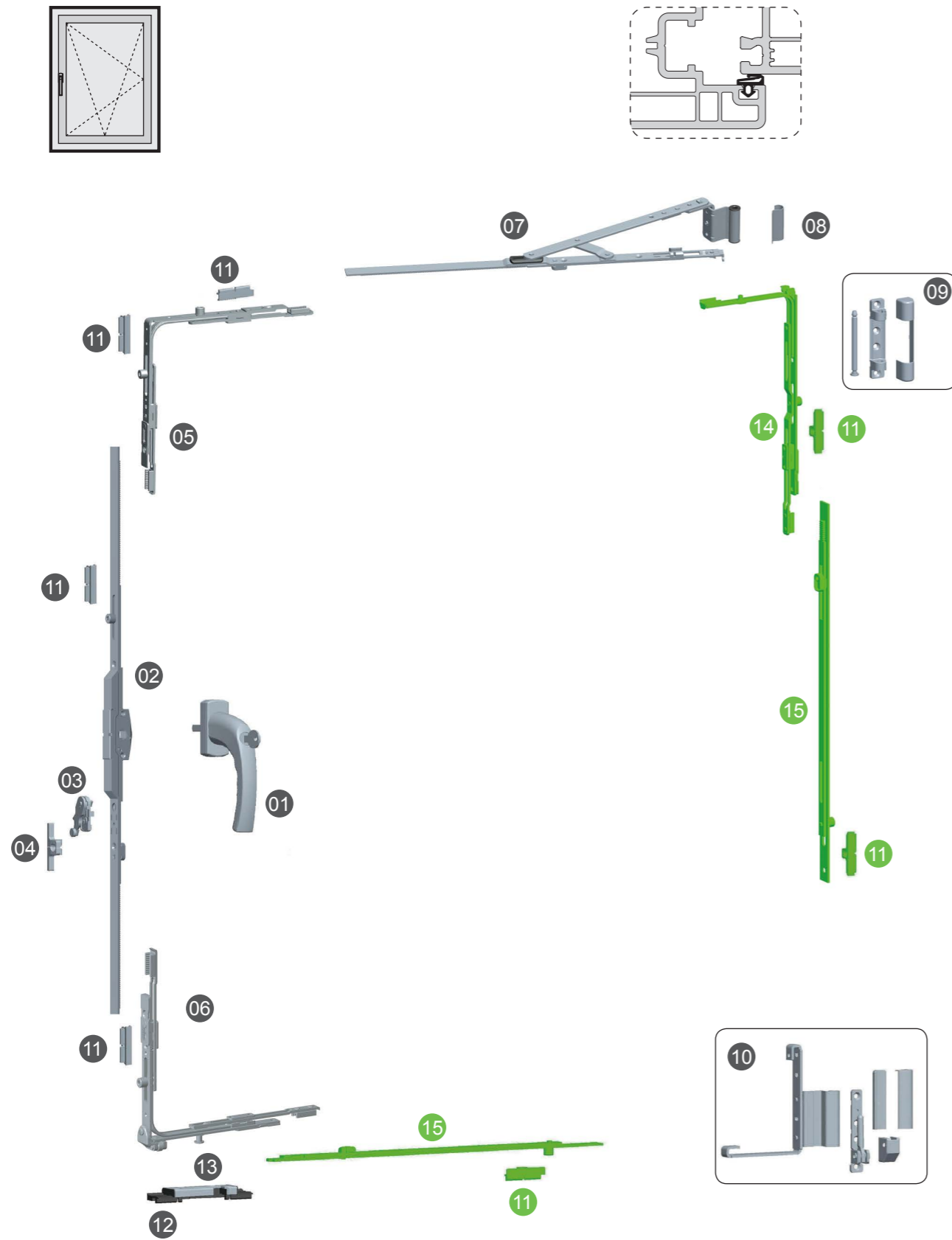
Optional Handle



Configuration instruction:

1. This configuration can realize outdoor fire resistance 1h, besides there are other fire-resistant configurations and corresponding fire-resistant time, please consult our technical department for details.
2. Above configuration is applicable to "13 series, besides there is "9" series configuration.
3. This configuration is applicable to sash with height ranged from 901mm-1200mm,width ranged from 430mm 600mm. This configuration also can meet the requirements of sash height ranged from 490mm-1800mm,width ranged from 320mm-1000mm if choose other accessories, but should refer to the parameter, please see the product series of this catalogue for details. The recommended proportion is width:Height=1:1.5.
4. The maximum load bearing capacity of this configuration is 130kg, the load bearing capacity depends on the hinge,Please refer to hinge series; Sash Dead Weight(The Weight of Glass、 Sash Profile and other Accessories X1.4(Safety Factor)≤Maximum Load Bearing Capacity of the Hinge.
5. The above is only for reference. Please consult our technical department for specific requirements.

2-1 SCXP100 Series Tilt-and-Turn Window Hardware System



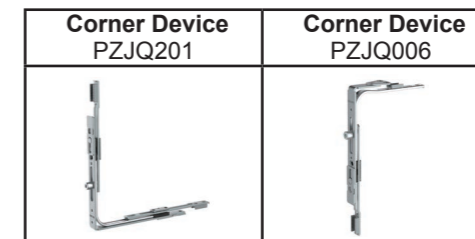
Hardware Configuration for SCXP100 Series

Number	Product Name	Code	QTY	Page	Remark
01	Handle	PZSN017	1	80	Optional, please indicate the color while placing order
02	Transmitter	PCDQN47509-12	1	132	Depends on window system
03	Anti-misoperation device	PFWQR001	1	132	Left & Right
04	Anti-misoperation block	PFWK00109A	1	159	Divided into9、13series
05	Corner device	PZJQ204	1	126	Optional
06	Corner device	PZJQ202	1	126	
07	Connecting rod	PLGXNR10904-06	1	130	Left & Right, divided into9、13series, depends on window system
08	Outer cover	PHYSN002-03A	1	130	Please indicate the color while placing orderr
09	Upper pivot hinge	PHYSN003	1	92	Please indicate the color while placing orderr, Standard hardware can be purchased by sets or pieces
10	Bottom pivot hinge	PHYXNR0109	1	98	Divided into9、13series, Please indicate the color while placing orderr, standard hardware can be purchased by sets or pieces
11	Locking plate	PSK20109	4	153	Divided into9、13series, depends on the quantity of locking points
12	Supporting block	PZCZ00109	1	157	Divided into9、13series
13	Supporting cap	PZCGR00109	1	158	Left & Right, divided into9、13series
14	Corner device	PZJQ203	1	126	
15	Side transmission rod	PBCDG004	2	131	

Optional Handle



Optional Corner Device



Configuration instruction

- Above configuration is applicable to "9" series PVC profile, besides there is "13" series configuration.
- Items in green are optional.
- This configuration is applicable to (including the selective items) sash with height ranged from 901mm to 1200mm and width ranged from 430mm to 600mm. this system can meet the requirement of the sash groove height 490mm-1800mm and the width 320mm-1000mm, according to the parameters of each accessory. for details, please refer to the product series of this catalogue. It is recommended to keep the window ratio (width/height). (W)1:1.5(H)
- The maximum load bearing capacity of this configuration is 90kg, the load bearing capacity depends on the pivot hinge, please refer to pivot hinge series: the sash weight (including the weight of glass, sash profile and other accessories) X1.4 (safety coefficient) ≤the maximum load bearing capacity of the pivot hinge.
- If need to increase the safety, then hardware with anti-theft locking point can be selected.
- The above is only for reference. please consult our technical department for sepecific requirement.

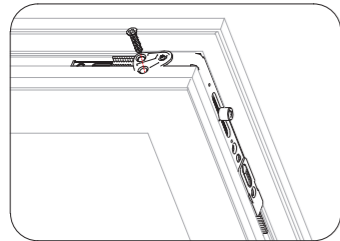
Instructions Of Turn-and-Tilt Window and Tilt-and-Turn Window System

Drilling and installation

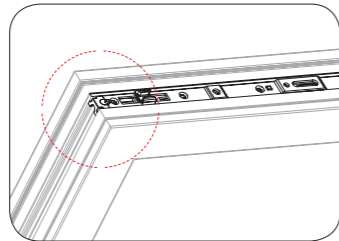
Instructions

- 1 Pivot hinge-the duplicator PKMQ09/I and PKMQ09/II is required for the pivot hinge screw holes.
All adjustable parts should be located at the initial adjustment position before installing pivot hinge.
- 2 Handle-drilling dimension of open-in handle refers to the center of the transmitter, the transmitter hole should be in a concentric condition with the spindle hole of the handle, the handle should be installed in horizontal position 90°.
- 3 Selecting the stainless steel ST4.2 self-tapping countersunk screws.

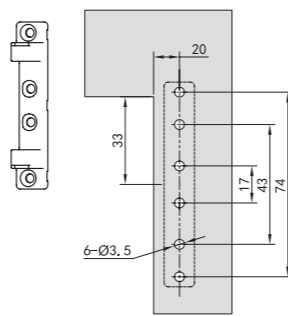
Installation of corner device PZJQ006
(The screws should be fixed on the side of profile)



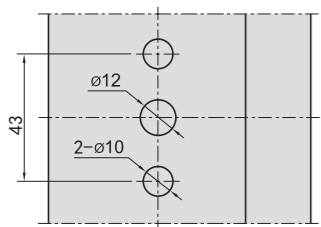
Connecting rod locking block should close to the notches surface



Drilling drawing for upper pivot hinge

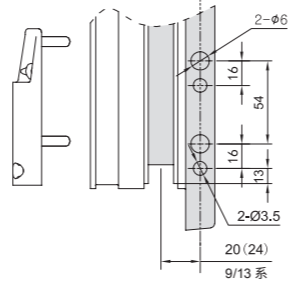


Drilling drawing for handle

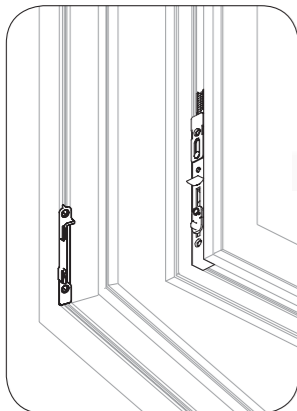


Drilling drawing for bottom pivot hinge PHYXN002

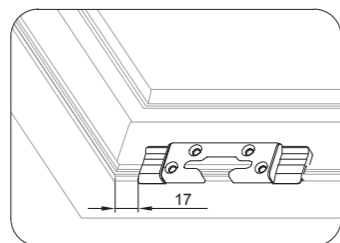
(Drilling with duplicator PKMQ03A)



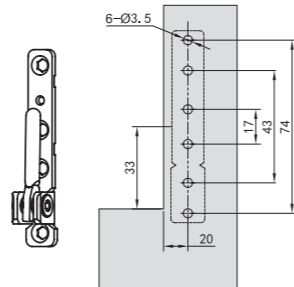
Installation of overturn supporter and locking plate



Installation of supporting block and supporting cover

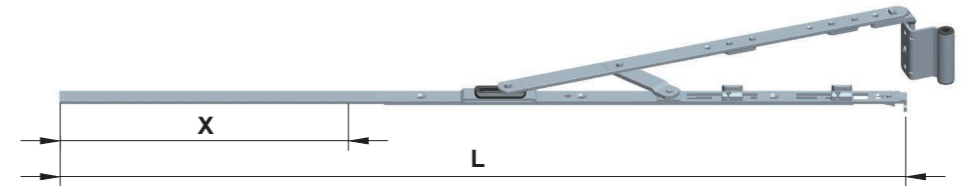


Drilling drawing for bottom pivot hinge



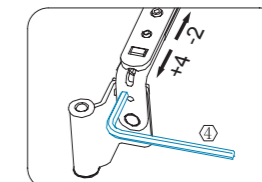
Adjustment and installation

Connecting rod installation / adjustment illustration

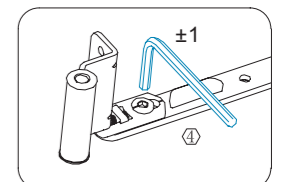


Code number	Applicable width	Rod length	Maximum cutting size	Remark
PLGNXR10904-06	430-600	448	170	Applicable to the rod of the same size the X figure is the same
PLGNXR10906-08	601-800	648	200	
PLGNXR10908-10	801-1000	848	200	

■ please refer to Page 183 for cutting profile

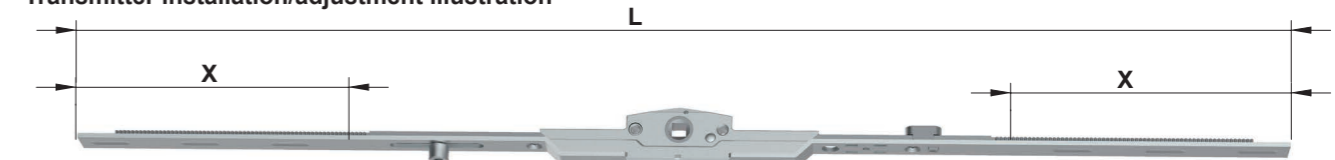


The sash sagging can be adjusted, the installation error can be absorbed



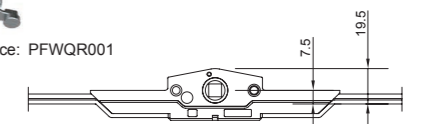
The air tightness, water tightness and weather-strip tightness can be adjusted after window locked.

Transmitter installation/adjustment illustration



Transmitter not include anti-misoperation device, anti-misoperation device needs to be ordered separately and has left and right type.

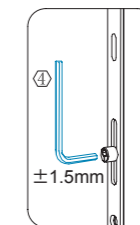
Misoperation device: PFWQR001



Code number	Applicable width	Rod length	Maximum cutting size	Remark
PCDQN47505-07A	570-730	424	80	Applicable to the rod of the same size the X figure is the same
PCDQN47507-09	690-900	596	105	
PCDQN47509-12	901-1200	896	150	
PCDQN47512-14	1201-1450	1145	122	
PCDQN47512-16	1201-1600	1296	200	

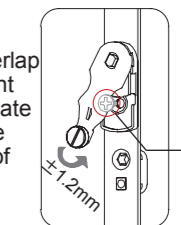
■ please refer to page 183 for cutting profile

Lock point



Adjust the overlap of locking-point and locking plate to improve the air-tightness of window

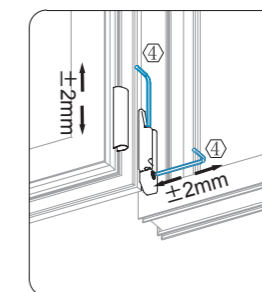
Misoperation device



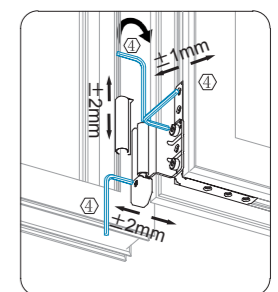
Particular screw M4*6

Bottom pivot hinge / adjustment illustration

The 3-D adjustable hinge can improve air tightness, water tightness of door, and the installation error can be eliminated

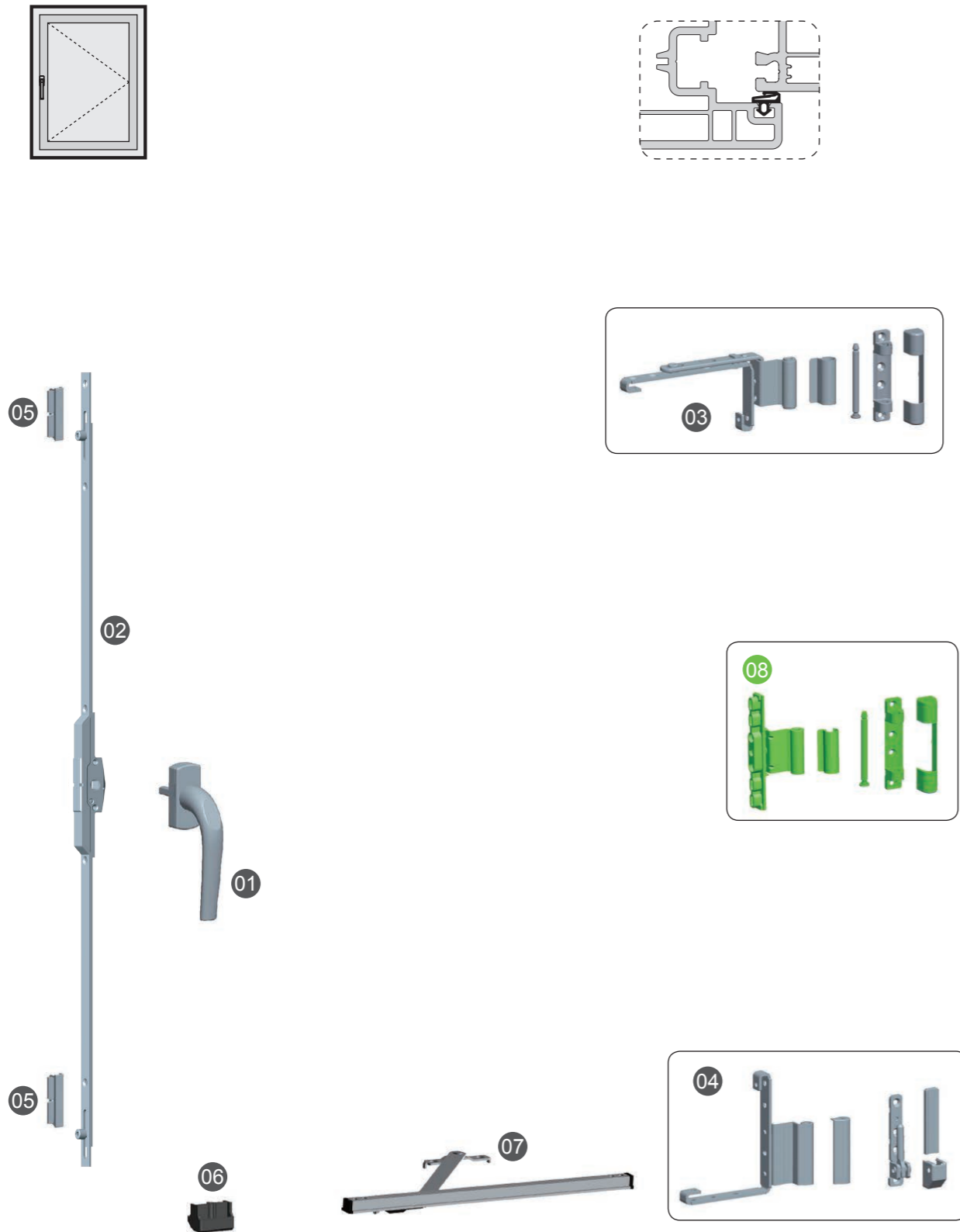


PHYXN002 Adjustment illustration



PHYXNR/L0109 Adjustment illustration

3-1 SCPN200 Series Open-in Window Hardware System



Hardware Configuration for SCPN200 Series

Number	Product Name	Code	QTY	Page	Remark
01	Handle	PZSN013	1	79	Optional
02	Transmitter	PCDQND47508	1	132	Depends on window system
03	Upper corner hinge	PHYSNR0039	1	98	Left & Right, divided into 9、13series, please indicate the color while placing order, Standard hardware can be purchased by sets or pieces
04	Bottom pivot hinge	PHYXNR0109	1	98	Left & Right, divided into 9、13series, please indicate the color while placing order, standard hardware can be purchased by sets or pieces
05	Locking plate	PSK20109	2	153	Divided into 9、13series, depends on the quantity of locking points
06	Lifting block	PTSK001	1	159	
07	Pegstay	PFC00112	1	147	Depends on window system
08	Mid pivot hinge	PHYZ00709	1	98	Divided into 9、13series, please indicate the color while placing order, standard hardware can be purchased by sets or pieces

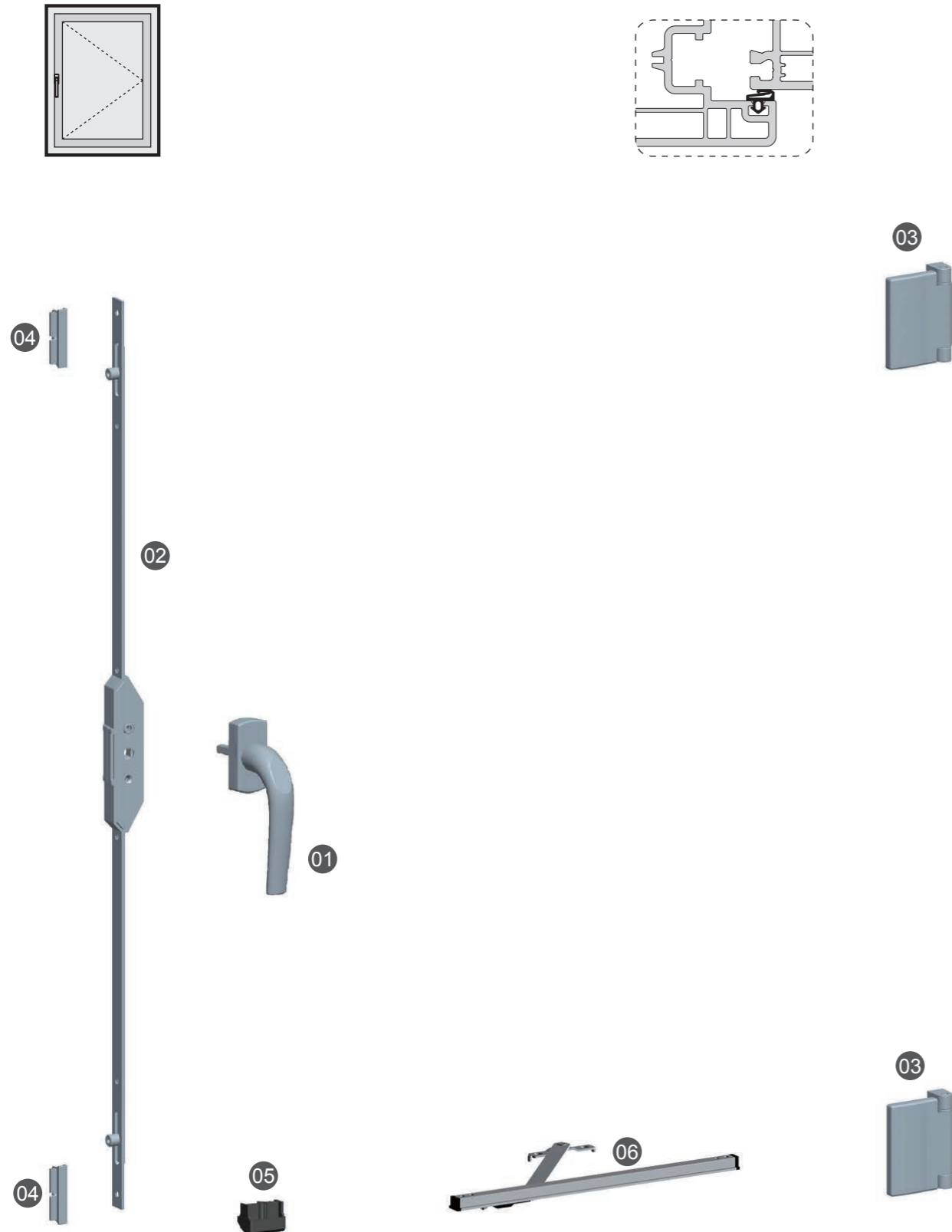
Optional Handle



Configuration instruction

- Above configuration is applicable to "9" series PVC profile, besides there is "13" series configuration.
- Items in green are optional.
- This configuration is applicable to (including the selective items) sash with height ranged from 801mm to 1000mm and width ranged from 450mm to 1000mm. this system can meet the requirement of the sash groove height 270mm-2200mm and the width 450mm-1000mm, according to the parameters of each accessory. for details, please refer to the product series of this catalogue. It is recommended to keep the window ratio (width/height). (W)1:1.5(H)
- The maximum load bearing capacity of this configuration is 90kg, the load bearing capacity depends on the pivot hinge, please refer to pivot hinge series: the sash weight (including the weight of glass, sash profile and other accessories) X1.4 (safety coefficient) ≤ the maximum load bearing capacity of the pivot hinge.
- If need to increase the safety, then hardware with anti-theft locking point can be selected.
- The above is only for reference. please consult our technical department for sepecific requirement.

3-2 SCPN300 Series Open-in Window Hardware System



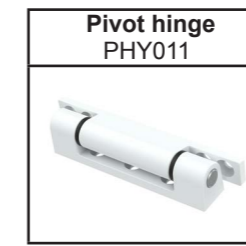
Hardware Configuration for SCPN300

Number	Product Name	Code	QTY	Page	Remark
01	Handle	PZSN013	1	79	Optional
02	Transmitter	PCDQS07508	1	133	Depends on window system
03	Pivot hinge	PHY010A	2	104	Please indicate the color while placing order
04	Locking plate	PSK20109	2	153	Divided into9、13series, depends on the quantity of locking points
05	Lifting block	PTSK001	1	159	
06	Limiter	PFC00112	1	147	Depends on window system

Optional Handle



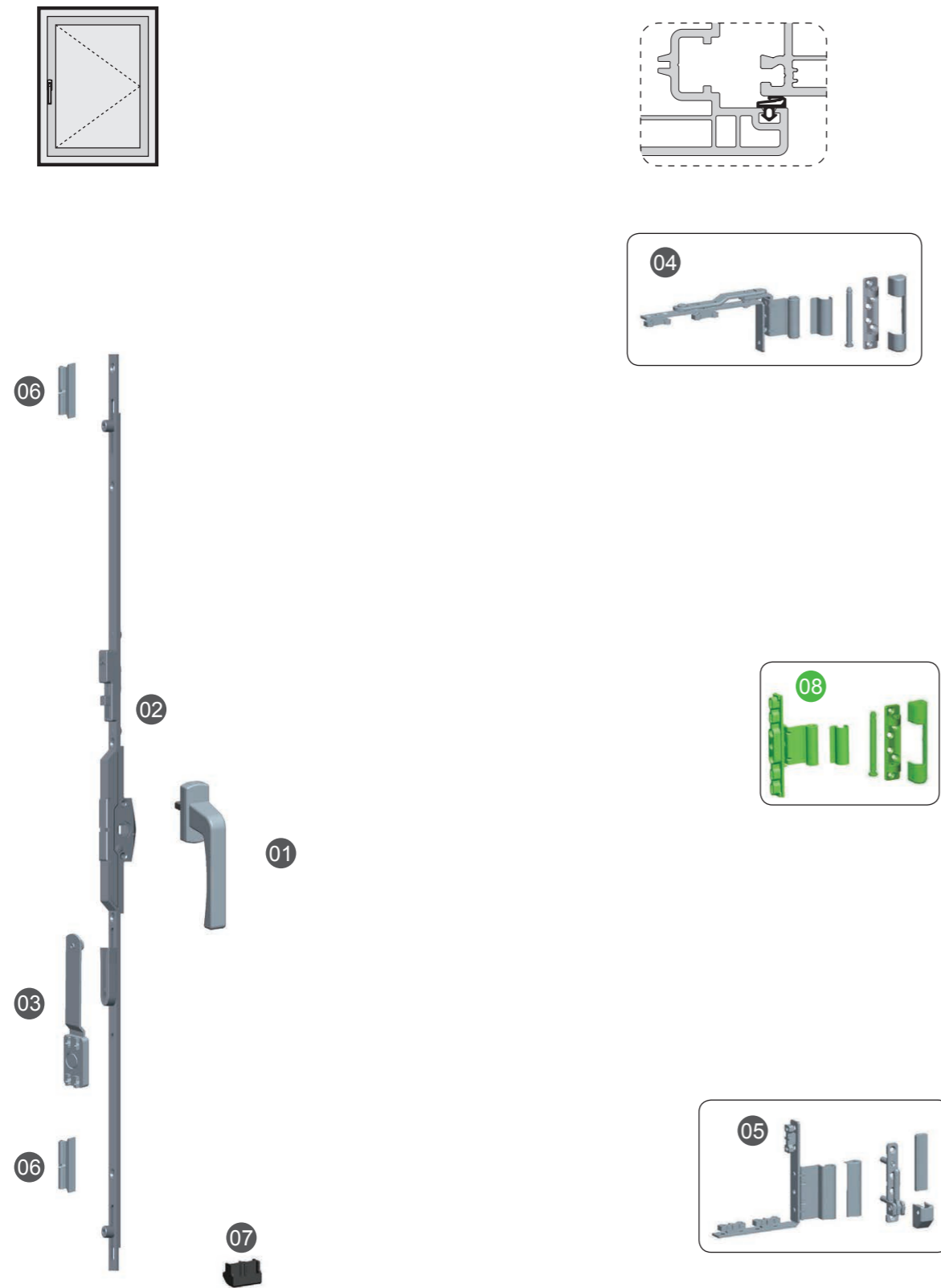
Optional Pivot Hinge



Configuration instruction

1. This configuration is applicable to (including the selective items) sash with height ranged from 801mm to 1000mm and width ranged from 450mm to 1000mm. this system can meet the requirement of the sash groove height 601mm-1600mm and the width 450mm-1000mm, according to the parameters of each accessory. for details, please refer to the product series of this catalogue. It is recommended to keep the window ratio (width/height). (W):1.5(H)
2. If the height between the top and bottom grooves of sash > =900mm, It is recommended to use 3 pcs of hinges.
3. The maximum load bearing capacity of this configuration is 60kg,the load bearing capacity depends on the pivot hinge, please refer to pivot hinge series:
the sash weight (including the weight of glass, sash profile and other accessories) X1.4 (safety coefficient) ≤the maximum load bearing capacity of the pivot hinge.
4. If need to increase the safety, then hardware with anti-theft locking point can be selected.
5. The above is only for reference. please consult our technical department for sepecific requierment.

3-3 SCPN400 Series Open-in Window Hardware System(Safety&Micro-Ventilation)



Hardware Configuration for SCPN400 Series

Number	Product Name	Code	QTY	Page	Remark
01	Handle	PZSN001	1	77	Optional, please indicate the color while placing order
02	Safetyµ-ventilation device	PCDQAF47508	1	133	Depends on window system
03	Micro-ventilation device of frame part	PCDQAF475K09	1	133	Divided into9、13series
04	Upper corner hinge	PHYSNR0029	1	97	Left & Right, divided into9、13series, please indicate the color while placing order, standard hardware can be purchased by sets or pieces
05	Bottom pivot hinge	PHYXNR0099	1	97	Left & Right, divided into9、13series, please indicate the color while placing order, standard hardware can be purchased by sets or pieces
06	Locking plate	PSK20109	2	153	Divided into9、13series, depends on the quantity of locking points
07	Lifting block	PTSK001	1	159	
08	Middle pivot hinge	PHYZ00809	1	97	Divided into9、13series, please indicate the color while placing order, standard hardware can be purchased by sets or pieces

Optional Handle



Configuration instruction

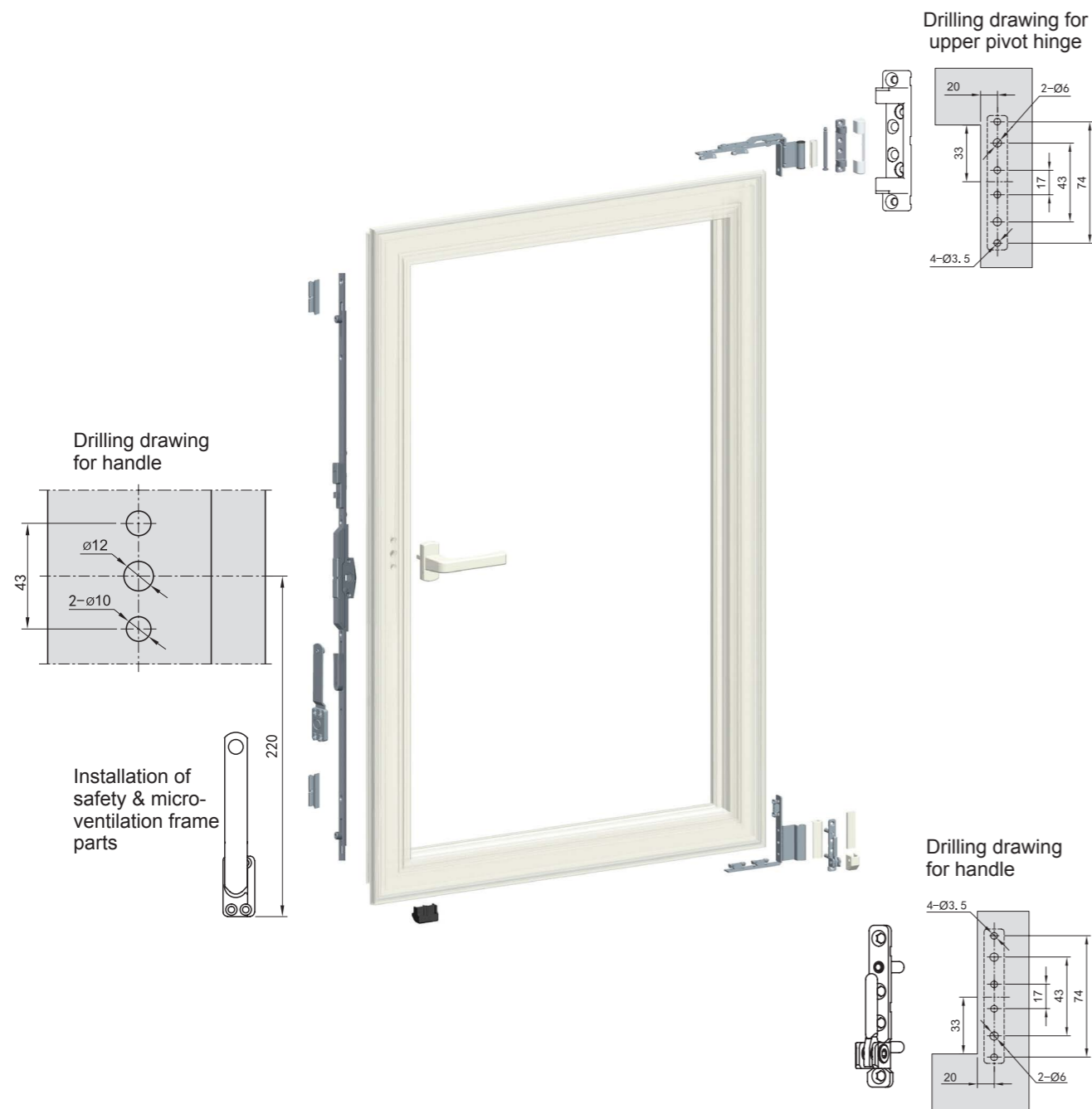
- Above configuration is applicable to "9" series PVC profile, besides there is "13" series configuration.
- The maximum ventilation distance is 35mm for the this configuration (参考 60 系列型材).
- Items in green are optional.
- This configuration is applicable to (including the selective items) sash with height ranged from 801mm to 1000mm and width ranged from 450mm to 1000mm. this system can meet the requirement of the sash groove height 800mm-1400mm and the width 450mm-1000mm, according to the parameters of each accessory. for details, please refer to the product series of this catalogue. It is recommended to keep the window ratio (width/height). (W)1:1.5(H)
- The maximum load bearing capacity of this configuration is 130kg, the load bearing capacity depends on the pivot hinge, please refer to pivot hinge series:
the sash weight (including the weight of glass, sash profile and other accessories) X1.4 (safety coefficient) ≤the maximum load bearing capacity of the pivot hinge.
- If need to increase the safety, then hardware with anti-theft locking point can be selected.
- The above is only for reference. please consult our technical department for sepecific requierment.

Instruction of Open-in Window (Safety&Micro-ventilation)

Drilling and installation

Instructions

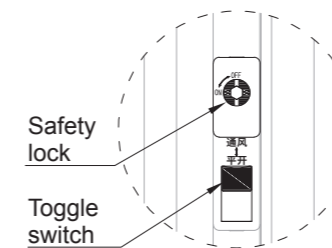
- 1 Pivot hinge-the duplicator PKMQ09/I and PKMQ09/II is required for pivot hinge screw holes. All adjustable parts should be located at the initial adjustment position before installing pivot hinge.
- 2 Handle-drilling dimension of open-in handle refers to the center of the transmitter, the transmitter hole should be in a concentric condition with the spindle hole of the handle, the handle should be installed in horizontal position 90°.
- 3 Selecting the stainless steel ST4.2 self-tapping countersunk screws.



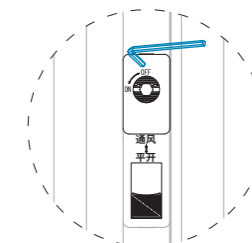
Safety & Anti-theft Open-in Side-Hung Window Accessories



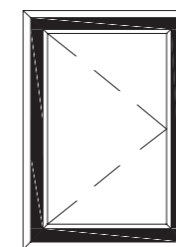
Operation introduction



At this position, The window is in ventilation status and the window can be locked and realized Micro-ventilation, but can not be opened. And when the safety lock locked(OFF), toggle switch can not be operated.



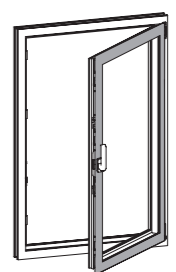
- ① When the window is in ventilation status, rotate the knob to "ON" with #4 spanner anticlockwise to relieve the safety lock.
- ② Operate the switch downward to open the widow.



Locking status

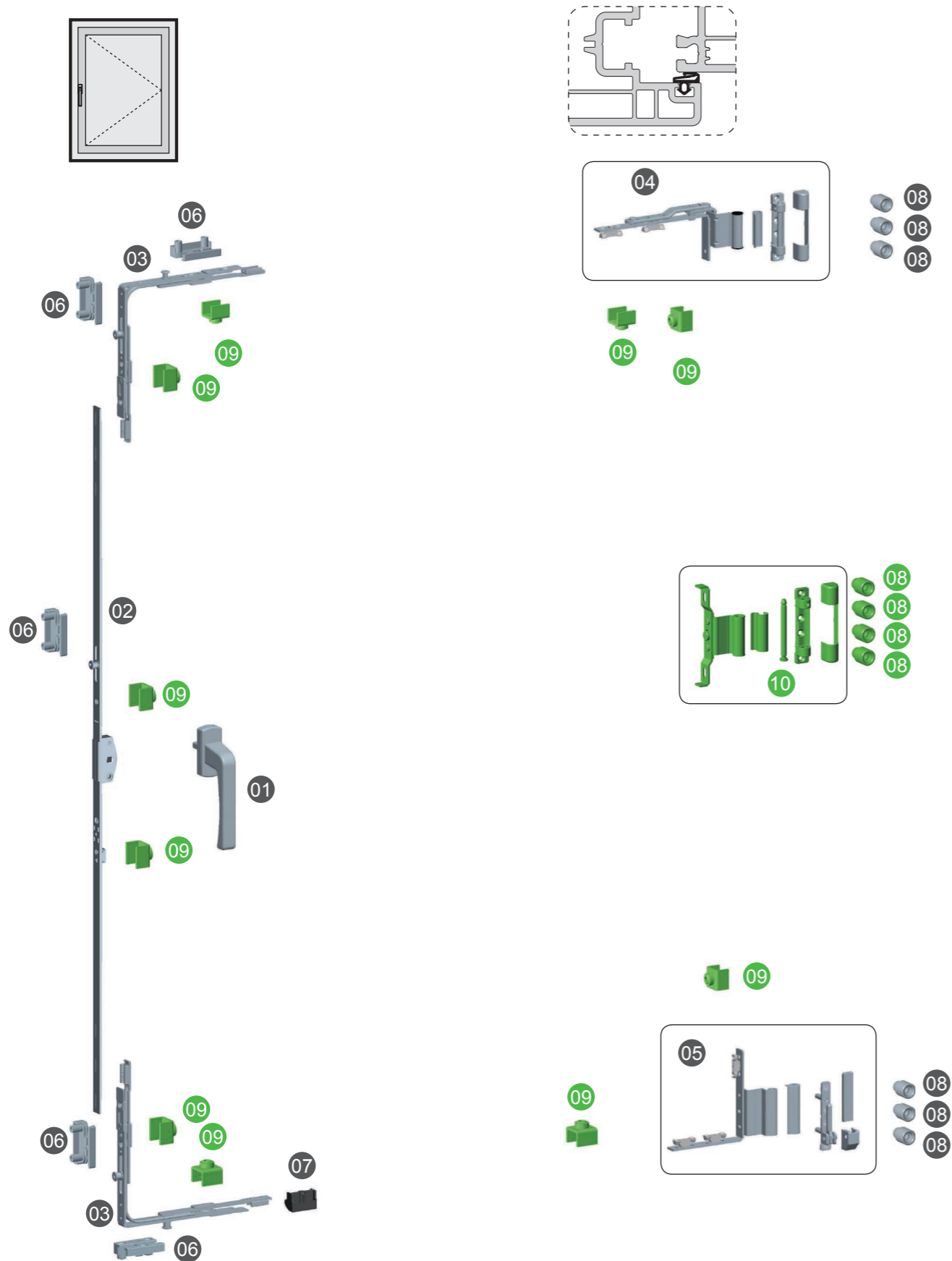


Contra-rotating the handle 90°, open inward to realize the micro-ventilation function



Unlock the push button , contra-rotating the handle to 180° from the locking status, then the window can be opened inward and side hung.

3-4 SCPN510 Series Open-in Fire-resistant Window System



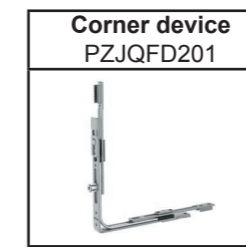
Hardware Configuration for SCPN510 Series

Number	Product Name	Code	QTY	Page	Remark
01	Handle	PZSN001	1	77	Optional, please indicate the color while placing order
02	Transmitter	PCDQFH41509-12	1	136	Depends on window system
03	Corner device	PZJQFD204	2	126	
04	Upper corner hinge	PHYSNR00413	1	100	Left & Right, divided into9、13serie, please indicate the color while placing order, standard hardware can be purchased by sets or pieces
05	Bottom pivot hinge	PHYXNR00913	1	97	Left & Right, divided into9、13serie, please indicate the color while placing order, standard hardware can be purchased by sets or pieces
06	Locking plate	PSK01713A	5	155	Divided into9、13series, depends on the quantity of locking points
07	Lifting block	PTSK001	1	159	
08	Frame connector block	PKLJK02	6	161	
09	Sash connecting block	PSLJK02	10	161	
10	Middle pivot hinge	PHYZ01013	1	99	Divided into9、13series

Optional Handle



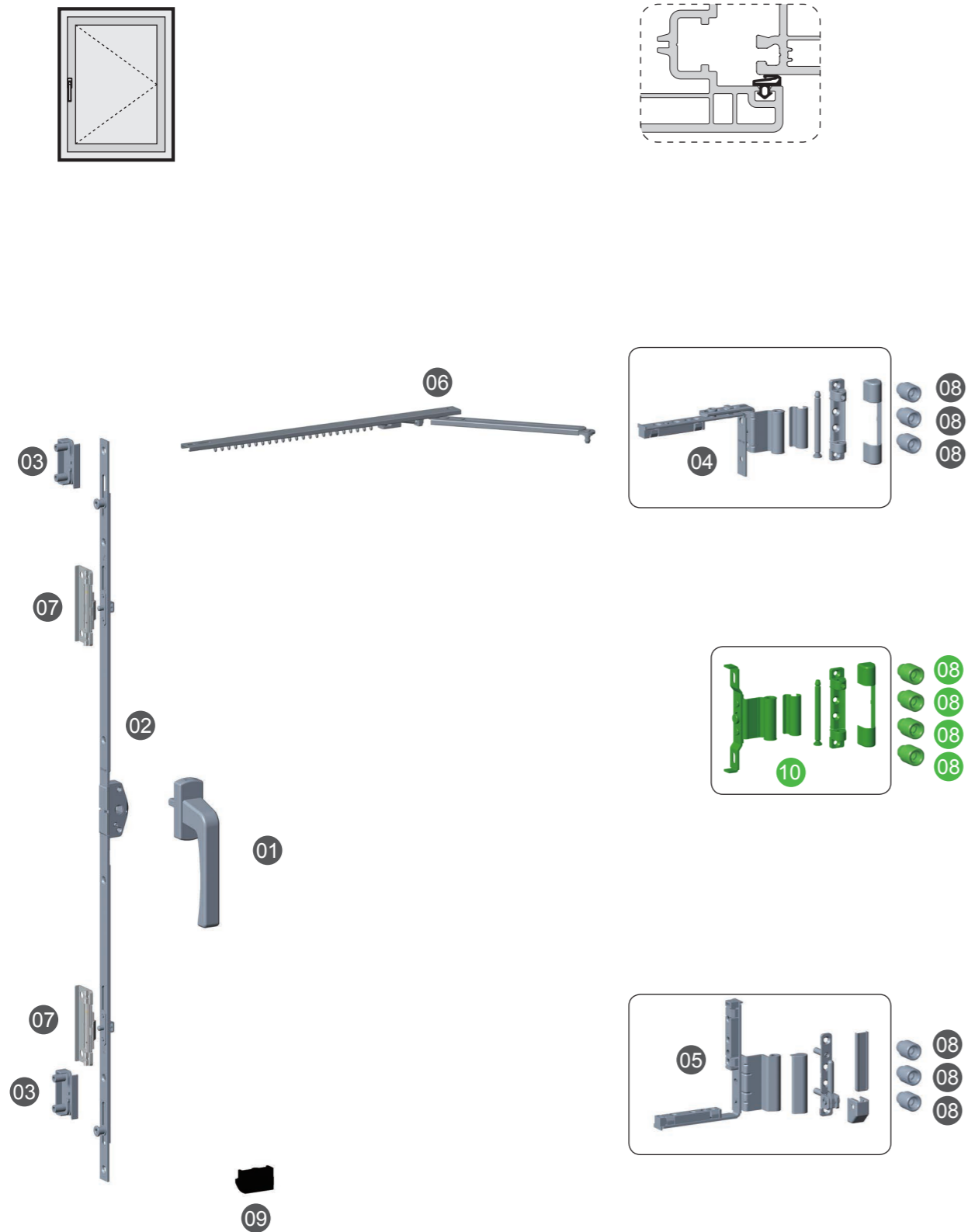
Optional Corner Device



Configuration instruction

1. This configuration can achieve outdoor fire resistance for 1 hour, and for other fireproof configurations and corresponding fire resistance time, please consult the company's technical department for details.
2. Items in green are optional.
3. Above configuration is applicable to "13" series PVC profile, besides there is "9" series configuration.
4. This configuration is applicable to (including the selective items) sash with height ranged from 901mm to 1200mm and width ranged from 400mm to 1000mm. this system can meet the requirement of the sash groove height 490mm-1800mm and the width 400mm-1000mm, according to the parameters of each accessory. for details, please refer to the product series of this catalogue. It is recommended to keep the window ratio (width/height).(W)1:1.5(H)
5. The maximum load bearing capacity of this configuration is 130kg, the load bearing capacity depends on the pivot hinge, please refer to pivot hinge series: the sash weight (including the weight of glass, sash profile and other accessories) X1.4 (safety coefficient) ≤the maximum load bearing capacity of the pivot hinge.
6. The above is only for reference. please consult our technical department for sepecific requierement.

3-5 SCPN520 Series Self-Locking in case of Fire & Fire-resistant Window Hardware System



Hardware Configuration for SCPN520 Series

Number	Product Name	Code	QTY	Page	Remark
01	Handle	PZSN001	1	77	Optional, please indicate the color while placing order
02	Transmitter	PCDQZB41508	1	134	Depends on window system
03	Locking plate	PSK01709A	2	154	Divided into9、13series, depends on the quantity of locking points
04	Upper corner hinge	PHYSNR0069	1	99	Left & Right, divided into9、13series, please indicate the color while placing order, standard hardware can be purchased by sets or pieces
05	Bottom pivot hinge	PHYXNR0069	1	99	Left & Right, divided into9、13series, please indicate the color while placing order, standard hardware can be purchased by sets or pieces
06	Temperature - controlled limiting stopper	PFC0700CK18	1	147	
07	Self-locking piece	PSKZBR00109P3	2	156	Left & Right, divided into9、13series
08	Frame connector block	PKLJK02	6	161	
09	Lifting block	PTSK001	1	159	
10	Middle pivot hinge	PHYZ0109	1	99	Divided into9、13series

Optional Handle



Configuration instruction

1. This configuration can realize the function of window sash self-closing (automatic window closing and automatic window locking) in case of fire, which can realize automatic window sash locking in case of fire.
2. This configuration can meet the daily opening and closing requirements, and also can locate frictionally to any angle within 90 degrees.
3. This configuration can realize outdoor fire resistance of 1h. besides there are other fire-resistant configurations and corresponding fire-resistant time, please consult our technical department for details.
4. Above configuration is applicable to "9" series, besides there is "13" series configuration.
5. Items in green are optional.
6. This configuration is applicable to sash with height ranged from 801mm-1000mm,width ranged from 500mm-1000mm. this configuration also can meet the requirements of sash height ranged from 601mm-2200mm,width ranged from 500mm-1000mm if choose other accessories, but should refer to the parameter,please see the product series of this catalogue for details. the recommended proportion is width:Height=1:1.5.
7. The maximum load bearing capacity of this configuration is 90kg, the load bearing capacity depends on the hinge, please refer to hinge series; sash dead weight(the weight of glass、sash profile and other accessories)X1.4(safety factor)≤maximum load bearing capacity of hinge.
8. The above is only for reference. please consult our technical department for specific requirements.

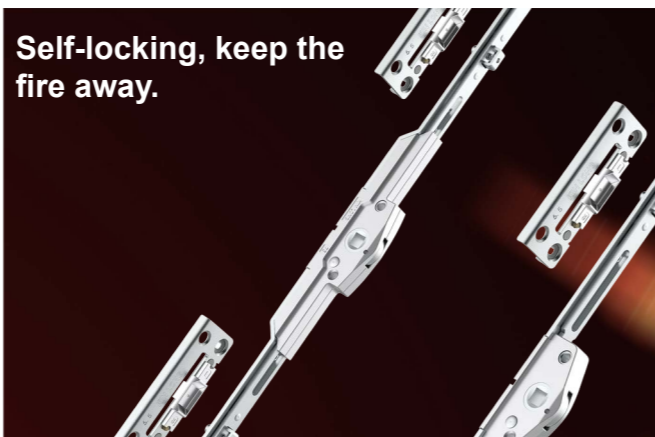
Self-closing & self-locking in case of fire.



Thermally sensitive glass ball, self-closing in case of fire.



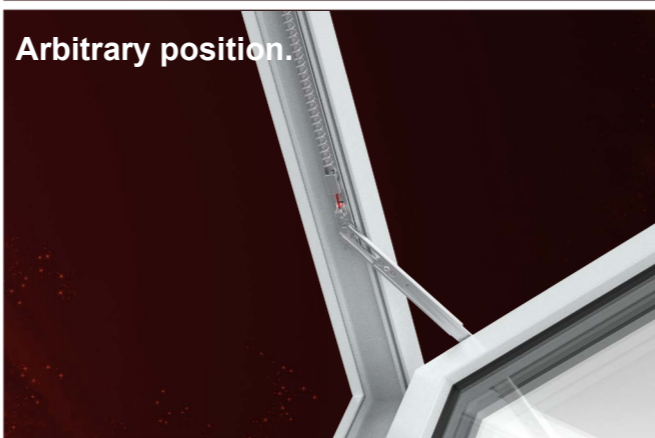
Self-locking, keep the fire away.



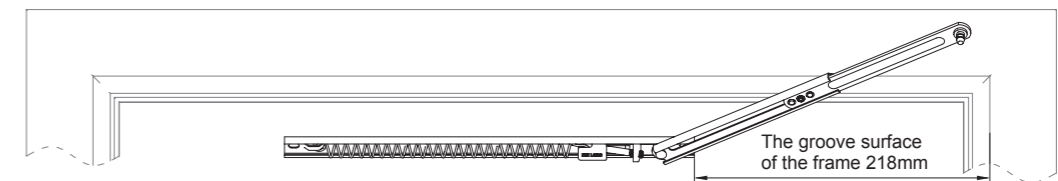
Split design, easy to install.



Arbitrary position.



Instruction for Self-Locking Fire-resistant Hardware system



Step 2: The limiter should be installed at the same line position (as shown in figure 1), and it is attached to the side wall of the drain tank (as shown in figure 2);

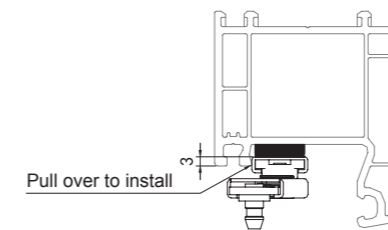


Figure 2

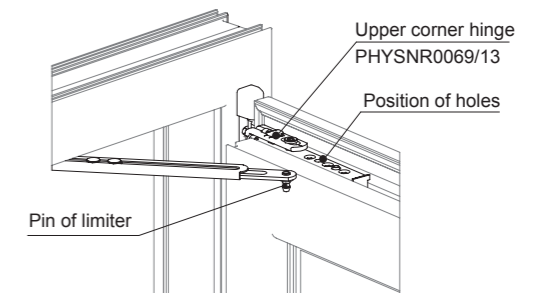
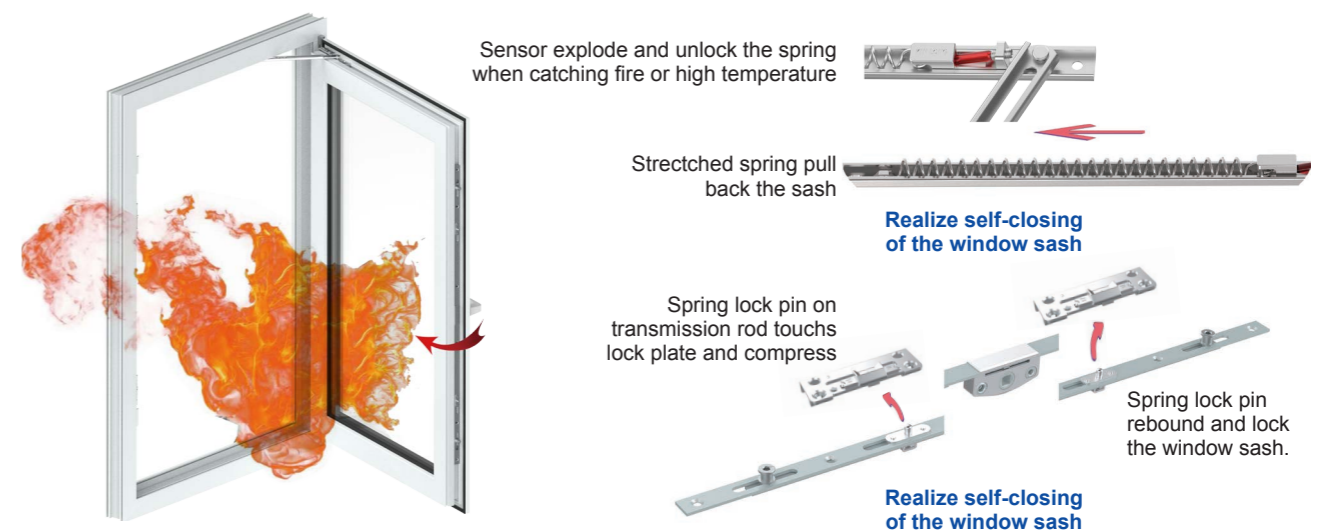


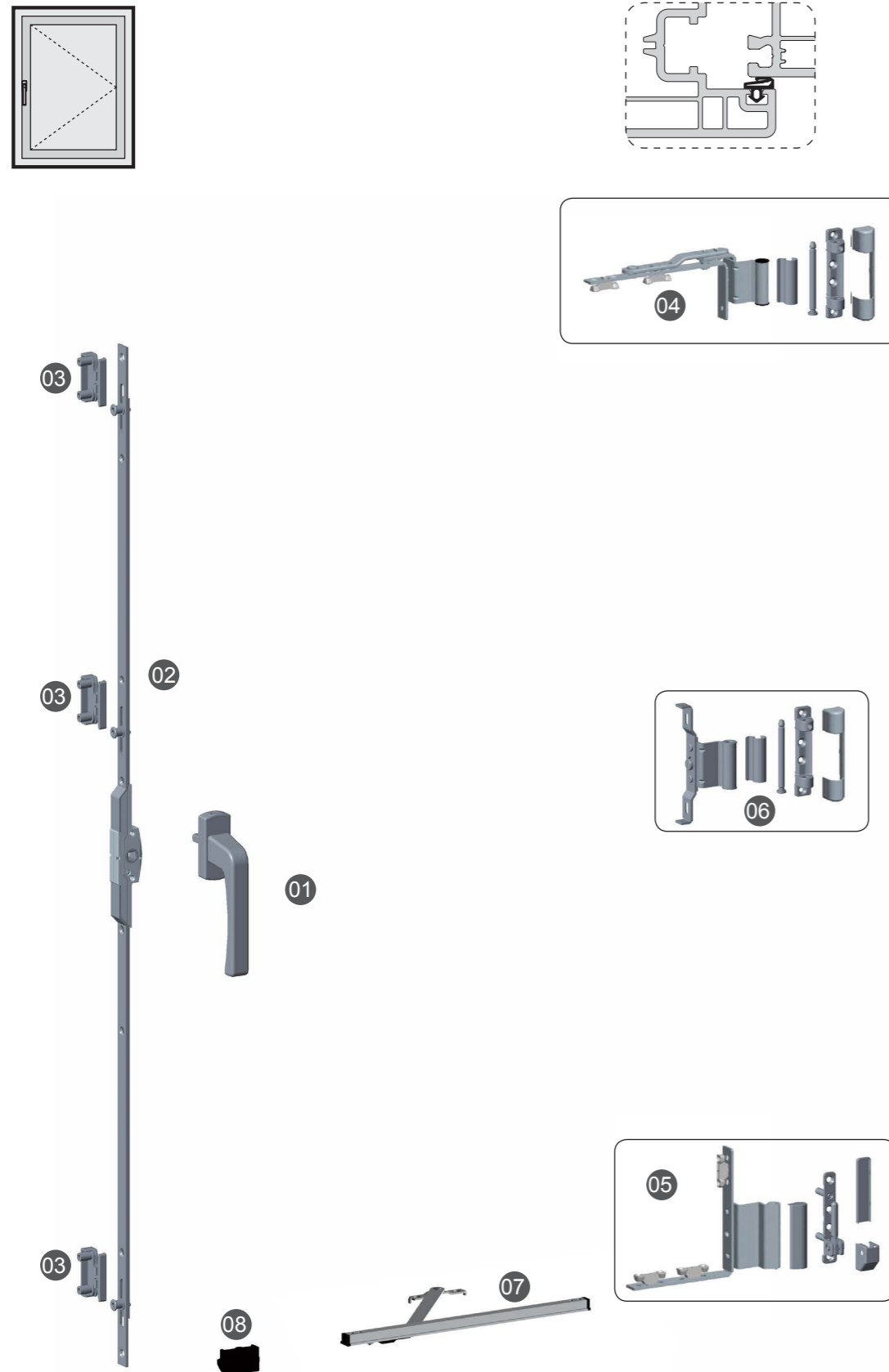
Figure 3

Step 3: Connecting the pin of limiter into the pin hole of upper corner hinge (Note: it must be installed in right place).



3-6 SCPN530 Fire-resistant Hardware System

Hardware Configuration for SCPN530 Series



Number	Product Name	Code	QTY	Page	Remark
01	Handle	PZSN001	1	77	Optional, please indicate the color while placing order
02	Transmitter	PCDQFD47510	1	132	Depends on window system
03	Locking plate	PSK01713A	3	155	Divided into9、13series, depends on the quantity of locking points
04	Upper corner hinge	PHYSNR00413	1	100	Left & Right, divided into9、13series, please indicate the color while placing order, standard hardware can be purchased by sets or pieces
05	Bottom pivot hinge	PHYXNR00913	1	97	Left & Right, divided into9、13series, please indicate the color while placing order, standard hardware can be purchased by sets or pieces
06	Middle pivot hinge	PHYZ01013	1	99	Divided into9、13series, please indicate the color while placing order
07	Limiter	PFC00112	1	147	Depends on window system
08	Lifting block	PTSK001	1	159	

Optional Handle



Configuration instruction

1. This configuration can realize outdoor fire resistance 0.5h, besides there are other fire-resistant configurations and corresponding fire-resistant time, please consult our technical department for details.
2. Above configuration is applicable to "9" series PVC profile, besides there is "13" series configuration.
3. This configuration is applicable to sash with height ranged from 1001mm-1200mm,width ranged from 450mm-1000mm. this configuration also can meet the requirements of sash height ranged from 260mm-2200mm,width ranged from 450mm-1000mm if choose other accessories, but should refer to the parameter, see the product series of this catalogue for details. the recommended proportion is width:height=1:1.5.
4. The maximum load bearing capacity of this configuration is 130kg, the load bearing capacity depends on the pivot hinge, please refer to pivot hinge series: the sash weight (including the weight of glass, sash profile and other accessories) X1.4 (safety coefficient) ≤the maximum load bearing capacity of the pivot hinge.
5. The above is only for reference. please consult our technical department for sepecific requirement.

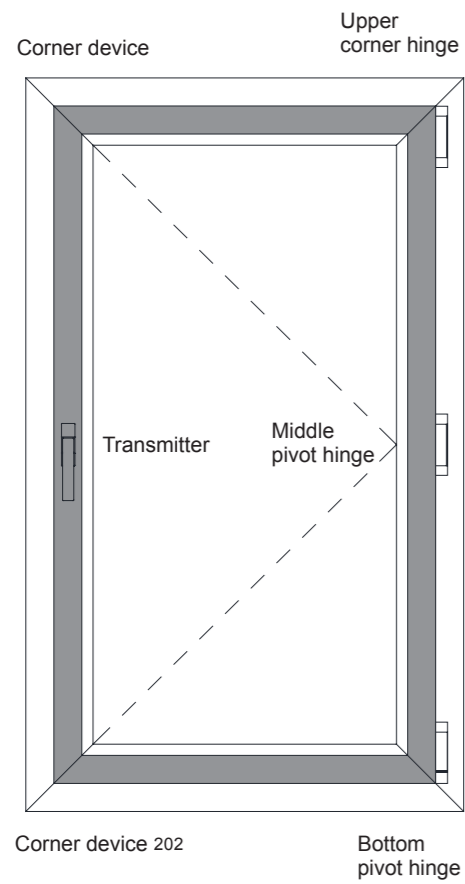
Instruction of Open-in Fire-resistant Window

Drilling and Installation

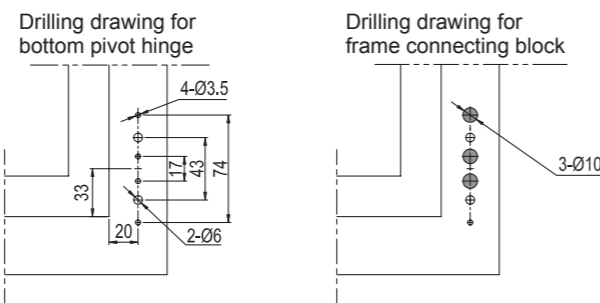
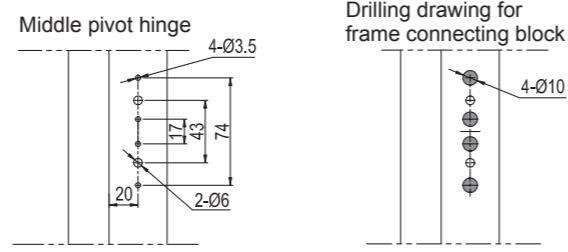
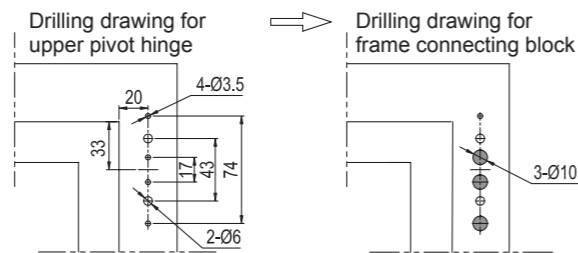
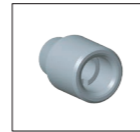
Instructions

- 1 Pivot hinge-the duplicator PKMQ09/II is required for pivot hinge screw holes.
All adjustable parts should be located at the initial adjustment position before installing pivot hinge.
- 2 Handle-drilling dimension of open-in handle refers to the center of the transmitter, the transmitter hole should be in a concentric condition with the spindle hole of the handle.
- 3 Selecting the stainless steel ST4.2 self-tapping countersunk screws. the screw to fix the sash connecting block depends on window profile.

Installation position diagram of fireproof window hardware



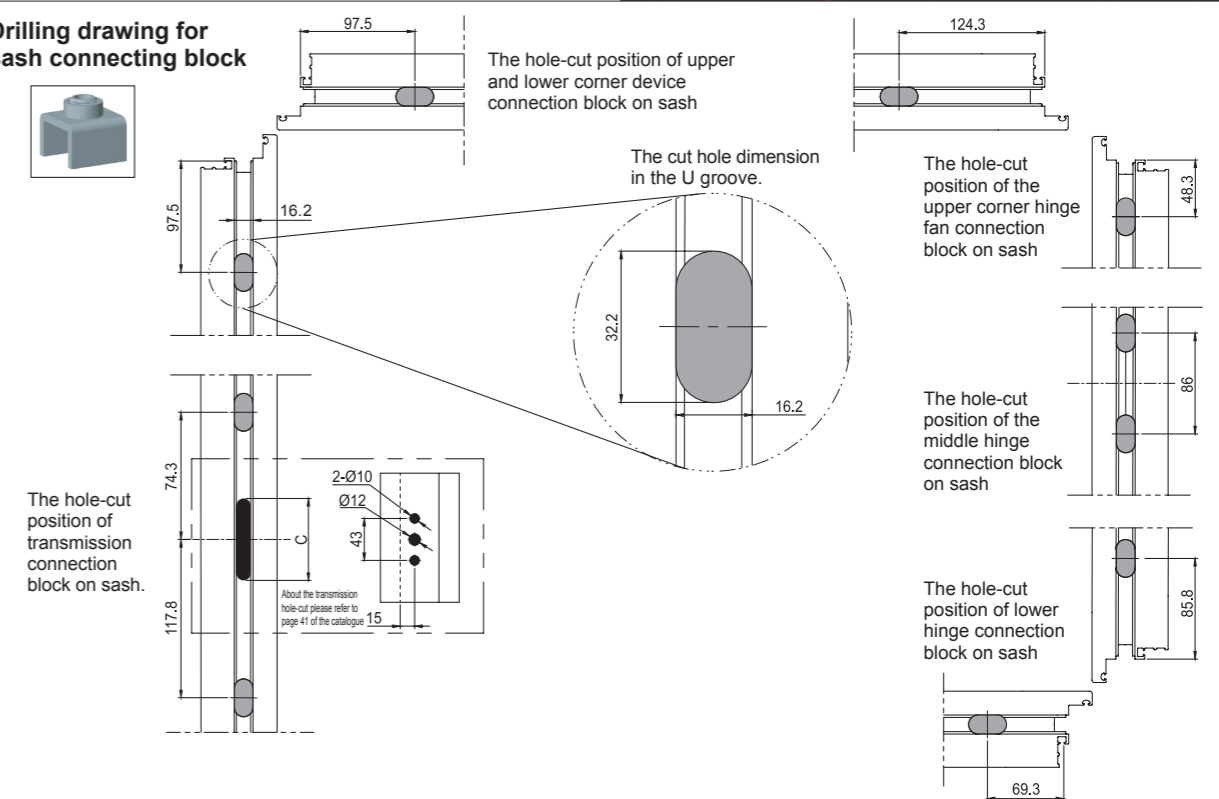
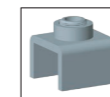
Drilling drawing for frame connecting block



Solution for Fire-resistant Doors & Windows

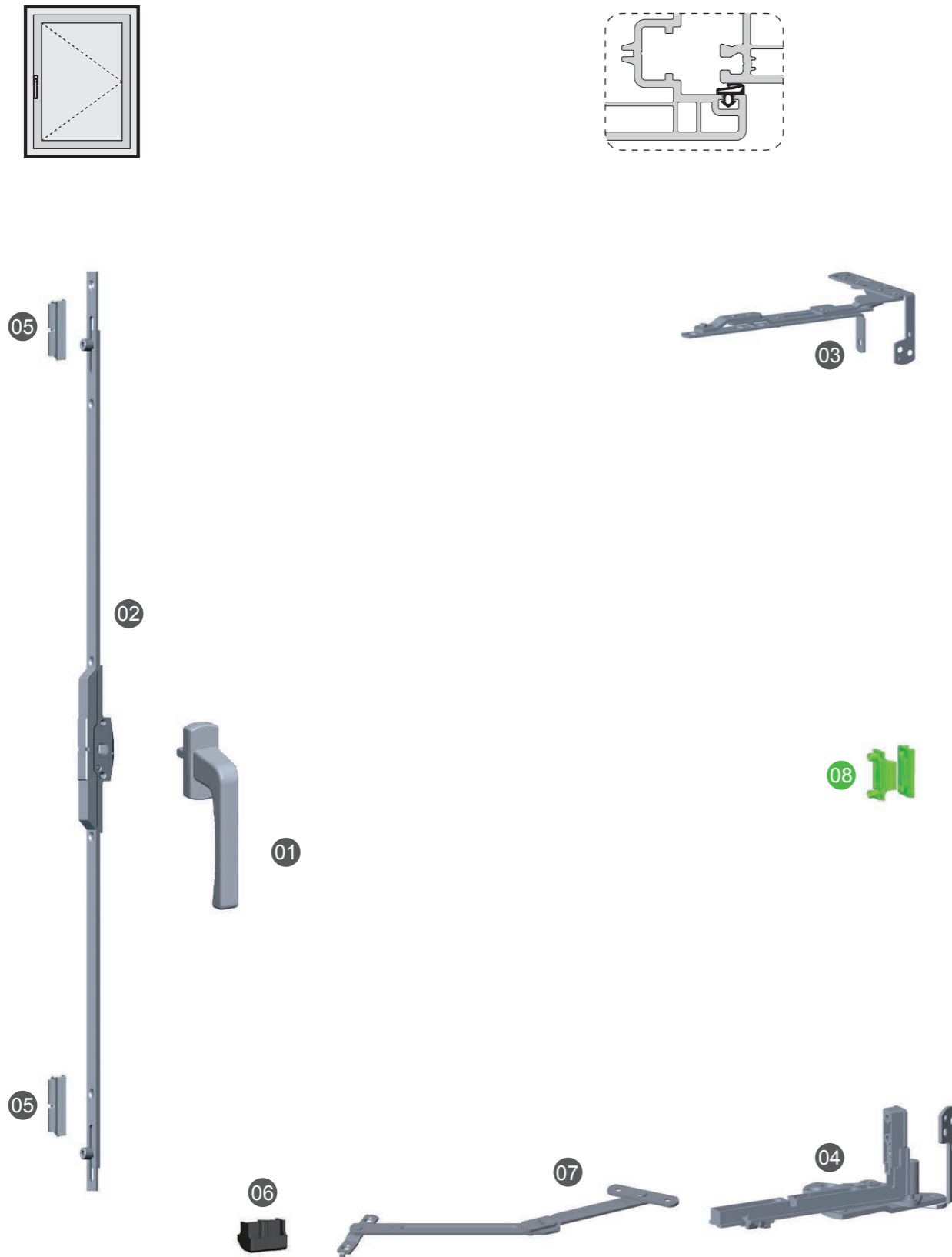


Drilling drawing for sash connecting block



3-7 SCPN600 Series Open-in Window Hardware System

Hardware Configuration for SCPN600 Series



Number	Product Name	Code	QTY	Page	Remark
01	Handle	PZSN001	1	77	Optional, please indicate the color while placing order
02	Transmitter	PCDQND47508	1	132	Depends on window system
03	Concealed upper pivot hinge	PYHYSR0039A	1	102	Left & Right, divided into9、13series
04	Concealed bottom pivot hinge	PYHYXR0039A	1	102	Left & Right, divided into9、13series
05	Locking plate	PSK20109	2	153	Divided into9、13series, depends on the quantity of locking points
06	Lifting block	PTSK001	1	159	
07	Limiter piece	PFC0900	1	147	Optional
08	Concealed mid lock	PYZS0039	1	101	Divided into9、13series

Optional Handle



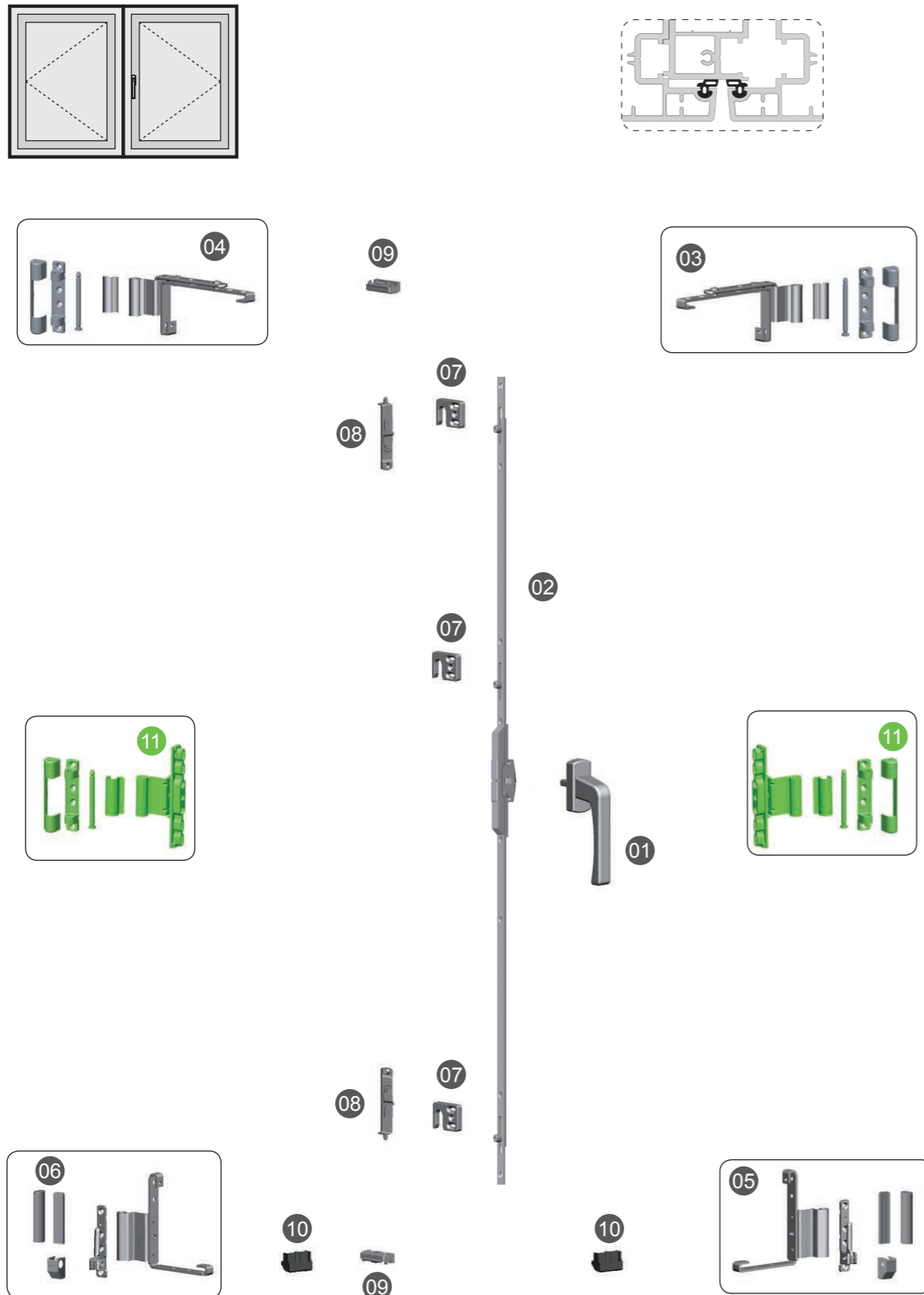
Optional Limiter Piece



Configuration instruction

- Above configuration is applicable to "9" series PVC profile, Besides there is "13" series configuration.
- Items in green are optional.
- This configuration is applicable to (including the selective items) sash with height ranged from 801mm to 1000mm and width ranged from 350mm to 1000mm. this system can meet the requirement of the sash groove height 270mm-2200mm and the width 350mm-1000mm, according to the parameters of each accessory. for details, please refer to the product series of this catalogue. It is recommended to keep the window ratio (width/height). (W)1:1.5(H)
- The maximum load bearing capacity of this configuration is 90kg, the load bearing capacity depends on the pivot hinge, please refer to pivot hinge series:
The sash weight (including the weight of glass, sash profile and other accessories) X1.4 (safety coefficient) ≤the maximum load bearing capacity of the pivot hinge.
- If need to increase the safety, then hardware with anti-theft locking point can be selected.
- The above is only for reference. please consult our technical department for sepecific requirement.
- Every 5000 times repeatedly open and close the concealed upper hinge and the bottom hinge for lubrication and maintenance, to ensure the normal service life of products.

4-1 SCDK100 Series Double-leaf Window Hardware System With Fake Mullion



Hardware Configuration for SCDK100 Series

Number	Product Name	Code	QTY	Page	Remark
01	Handle	PZSN001	1	77	Optional, please indicate the color while placing order
02	Transmitter	PCDQND47510	1	132	Depends on window system
03	Upper corner hinge	PHYSNR0039	1	98	Left & Right, divided into9、13series, please indicate the color while placing order, standard hardware can be purchased by sets or pieces.
04	Upper corner hinge	PHYSNL0039	1	98	
05	Bottom pivot hinge	PHYXNR0109	1	98	
06	Bottom pivot hinge	PHYXNL0109	1	98	
07	Locking plate	PSK002	3	157	Depends on the quantity of locking points
08	Single action bolt	PCX001	2	130	
09	Pin block	PXK00209	2	157	
10	Lifting block	PTSK001	2	159	
11	Mid pivot hinge	PHYZ00709	2	98	Divided into9、13series, please indicate the color while placing order, standard hardware can be purchased by sets or pieces

Optional Tower Bolt

Socket	Linking rod
PCXGN012-15A	PLJGN012-23B

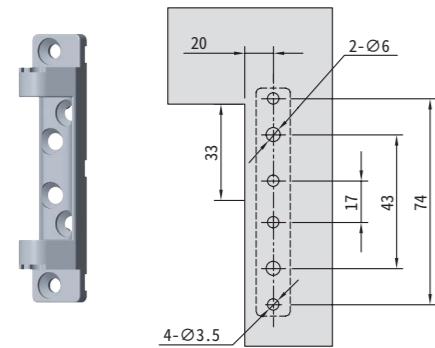
Optional Tower Bolt

Socket
PCXGN012

Configuration instruction

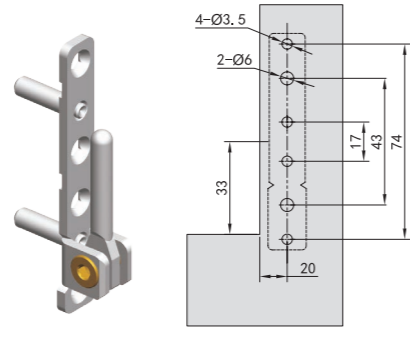
- Above configuration is applicable to "9" series PVC profile, besides there is "13" series configuration.
- Items in green are optional.
- This configuration is applicable to (including the selective items) sash with height ranged from 1001mm to 1200mm and width ranged from 400mm to 1000mm. this system can meet the requirement of the sash groove height 600mm-2200mm and the width 400mm-1000mm, according to the parameters of each accessory. for details, please refer to the product series of this catalogue. it is recommended to keep the window ratio (width/height).(W)1:1.5(H)
- The maximum load bearing capacity of this configuration is 90kg, the load bearing capacity depends on the pivot hinge, please refer to pivot hinge series:
the sash weight (including the weight of glass, sash profile and other accessories) X1.4 (safety coefficient) ≤ the maximum load bearing capacity of the pivot hinge.
- The above is only for reference. please consult our technical department for sepecific requirement.

Upper pivot hinge installation instruction



PHYSN002K

Bottom pivot hinge installation instruction

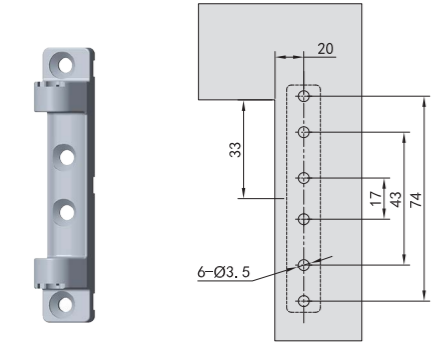


PHYXN009KA

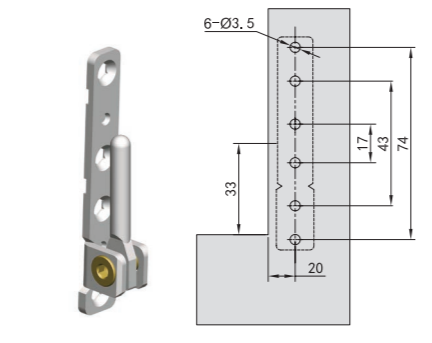
Drilling tool-duplicator



PKMQ09/II



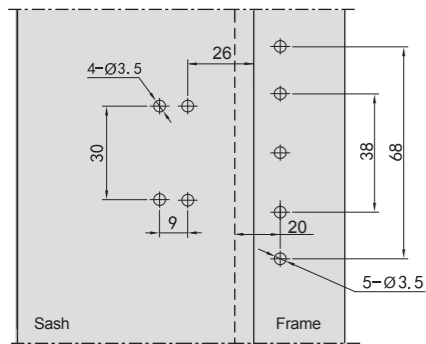
PHYSN003K



PHYXN010KA



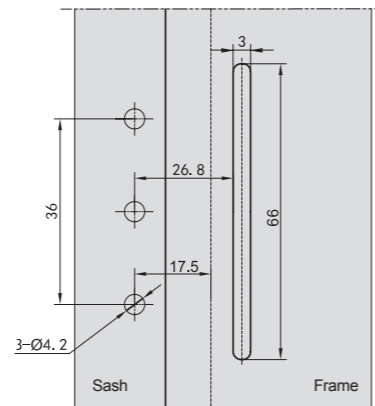
PKMQ09/I



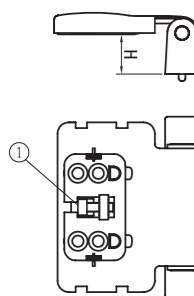
PHY006/PHY008/PHY024 installation hole



Duplicator PKMQ005



PHY0139/13 installation hole

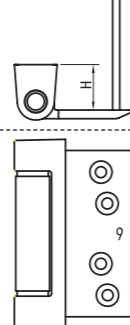


Application

Open-in window.
H size has 15mm and 17.5mm, special profile can use gasket which thickness is 1mm

Adjustment

Using 4mm Allen Key. horizontal level can be adjusted in +2/-3

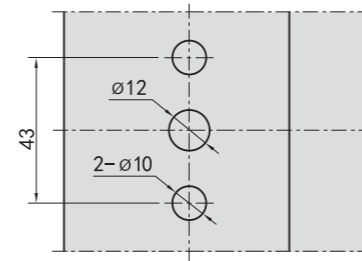


Application

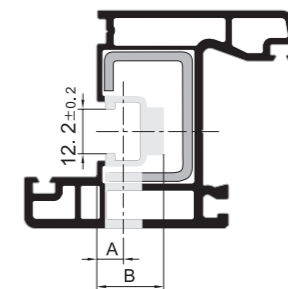
Open-in window with 9 series profile and 13 series profile.

H size is 16mm, special profile can use gasket which thickness is 1mm and 2.5mm

Drilling size of handle & transmitter



A	7.5	15	30	35
B	≥21	≥28	≥43	≥48
C	≥65	≥70	≥102	≥102



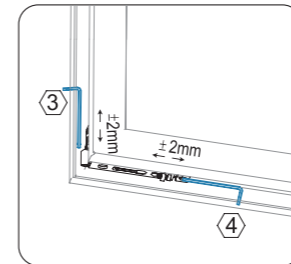
Application

Please refer to transmitter series in this catalog to select the correct size

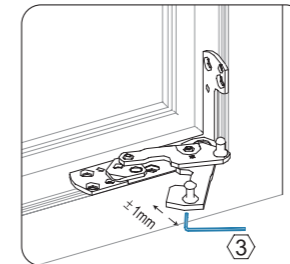
Adjustment

Using 4# allen key
Locking point of transmitter is ±1.5mm adjustable

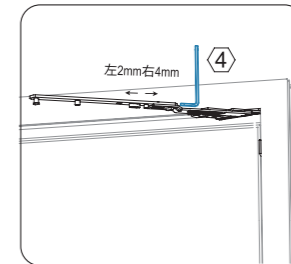
Concealed hinge installation instruction



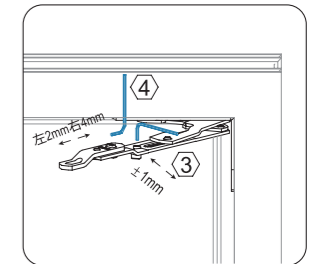
Install a part of bottom hinge on sash



Install a part of bottom hinge on frame

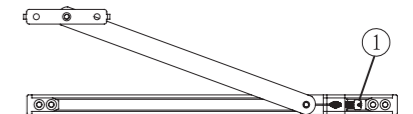
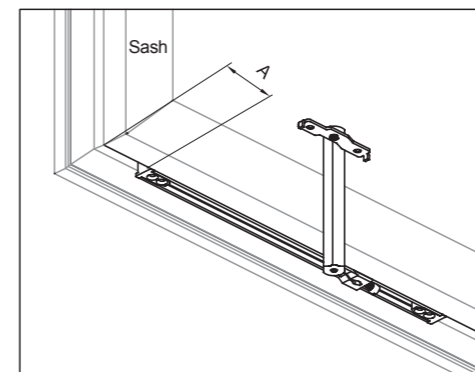


Install the pull rod at the part of frame



Install a part of upper hinge on frame

key point of installation of PFC001 series casement restrictor



Adjustment

Using 4# allen key /flat-head screwdriver
1. Adjust the screw to loosen the tightness of sliding block to adjust wind pressure resistance and window position

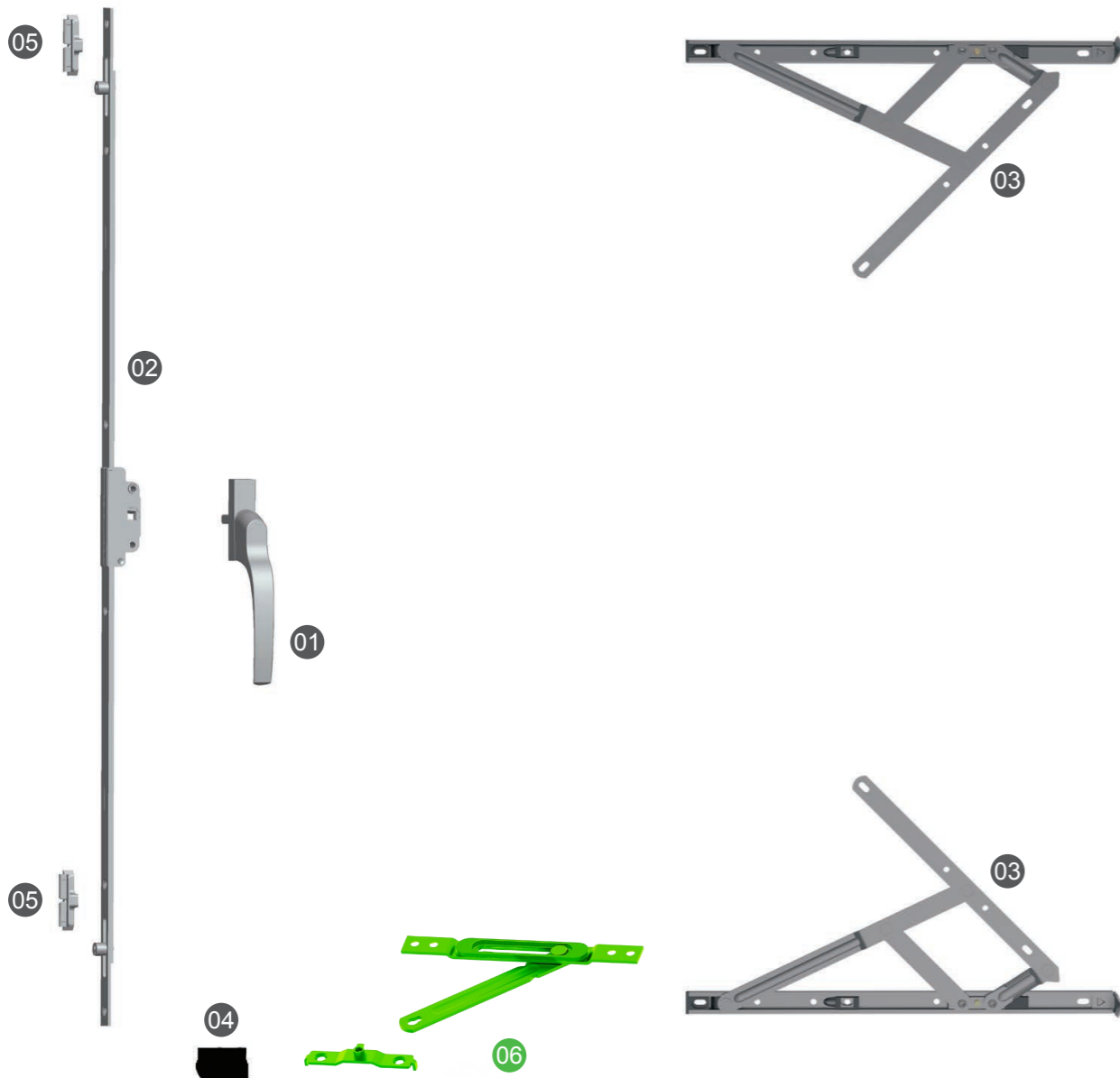
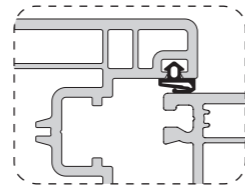
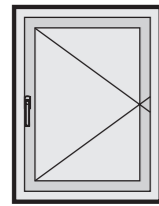
Limiting stopper selection requirement

Product code	length	Minimum applicable groove width(mm)	slide installation place	Open angle	Applicable hinge series
PFC00108	203	280	A=25	90	Flat hinge, side hinge
PFC00110	254	360	A=60		Flat hinge, side hinge
PFC00112	305	450	A=100		Corner hinges, flat hinge, side hinge
PFC00114	365	530	A=125		Corner hinges, flat hinge, side hinge
			A=145		Invisible hinge (needs to be installed with the sash part) flat-head screwdriver
PFC00116	365	570	A=165		Corner hinges, flat hinge, side hinge

Note: According to the window type specifications, the largest size limiter is preferred

5-1 SCPW100 Series Open-out Window Hardware System

Hardware Configuration for SCPW100 Series



Number	Product Name	Code	QTY	Page	Remark
01	Handle	PZSW005	1	82	Optional
02	Transmitter	PCDQWD22008	1	139	Depends on window system
03	Friction stay	PHCP010012K18	2	148	Depends on window system
04	Lifting block	PTSK001	1	159	
05	Locking plate	PSK20109	2	153	Divided into9、13series, depends on the quantity of locking points
06	Safety buckle	PAQK001	1	147	

Optional Handle

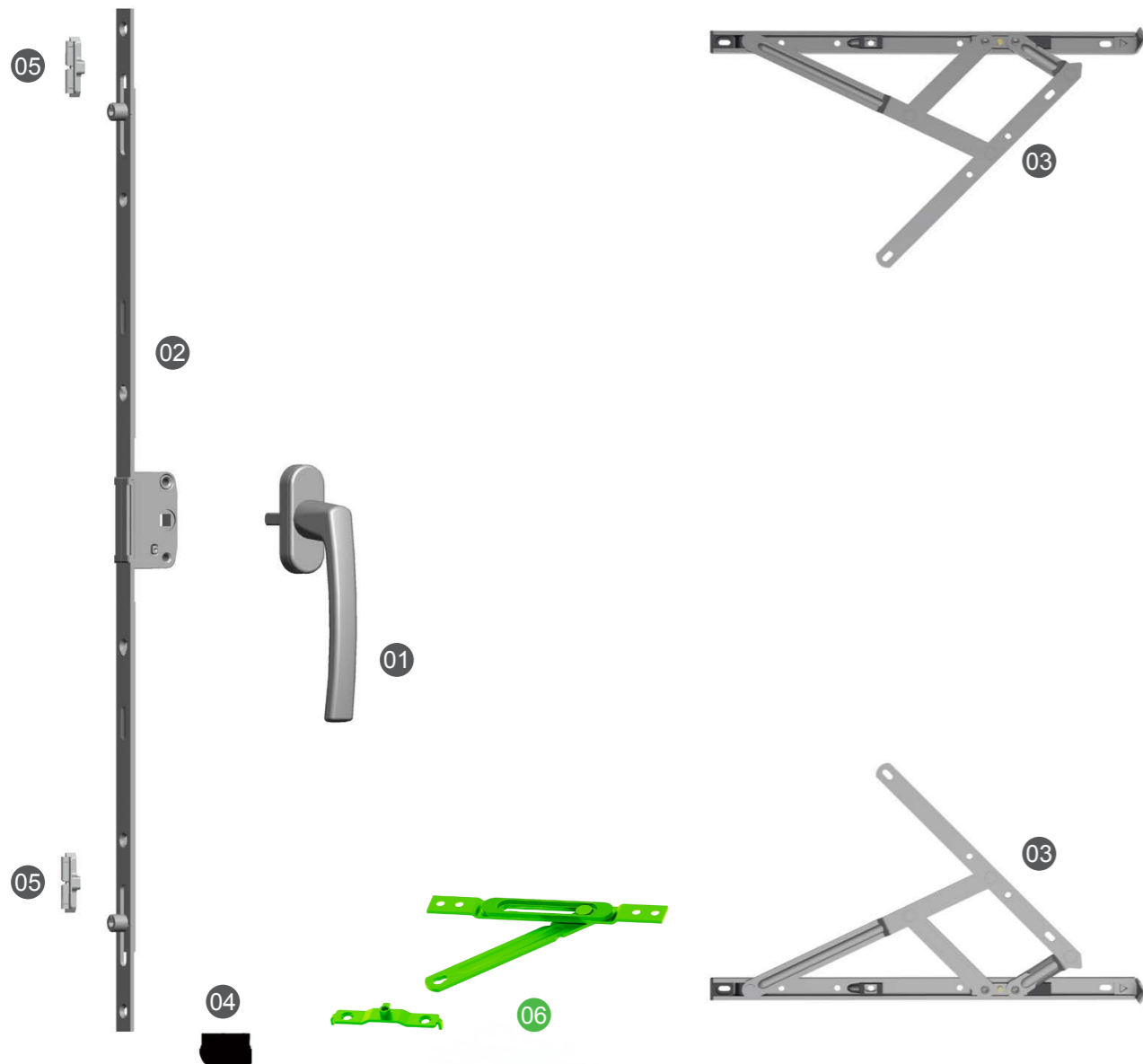
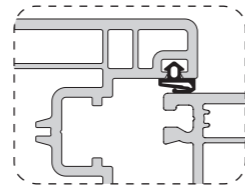
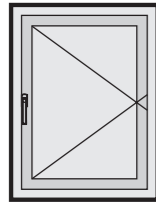
Handle PZSW002	Handle PZSWR011

Configuration instruction

1. The load bearing capacity depends on the friction stay, please refer to friction stay series:
the sash weight(including the weight of glass, sash profile and other accessories) \times 1.4(safety coefficient) \leq the maximum load bearing capacity of the friction stay.
2. Items in green are optional.
3. To improve the security better, security lock point can be installed.
4. The above is only for reference. please consult our technical department for sepecific requiement.

5-2 SCPW200 Series Open-out Window Hardware System

Hardware Configuration for SCPW200 Series



Number	Product Name	Code	QTY	Page	Remark
01	Handle	PZSW006	1	82	Optional, please indicate the color while placing order
02	Transmitter	PCDQWD22508	1	140	Depends on window system
03	Friction stay	PHCP010012K18	2	148	Depends on window system
04	Lifting block	PTSK001	1	159	
05	Locking plate	PSK20109	2	153	Divided into9、13series, depends on the quantity of locking points
06	Safety buckle	PAQK001	1	147	

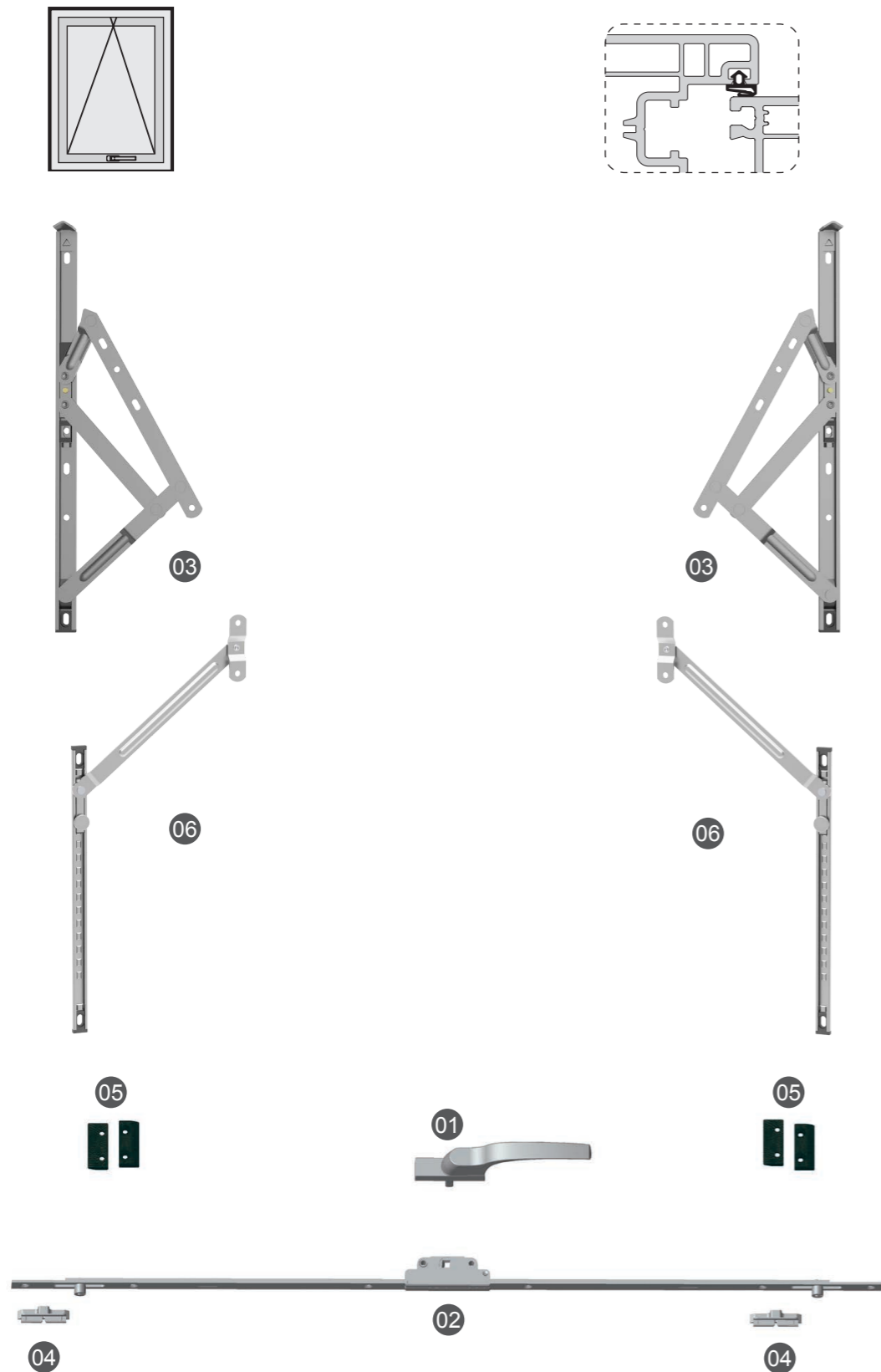
Optional Handle

Handle PZSW002	Handle PZSWR011

Configuration instruction

1. The load bearing capacity depends on the friction stay, please refer to friction stay series:
the sash weight(including the weight of glass, sash profile and other accessories) \times 1.4(safety coefficient) \leq the maximum load bearing capacity of the friction stay.
2. Items in green are optional.
3. To improve the security better, security lock point can be installed.
4. The above is only for reference. please consult our technical department for sepecific requiement.

6-1 SCSW100 Series, Top-Hung Window Hardware System



Hardware Configuration for SCSW100 Series

Number	Product Name	Code	QTY	Page	Remark
01	Handle	PZSW005	1	82	Optional
02	Transmitter	PCDQWD22008	1	139	Depends on window system
03	Friction stay	PHCS010014K18	2	150	Depends on window system
04	Locking plate	PSK20109	2	153	Divided into 9, 13 series, depends on the quantity of locking points
05	Anti-drop piece	1630FJS-16	4	---	
06	Limiter	PFC050010	2	147	Depends on window system

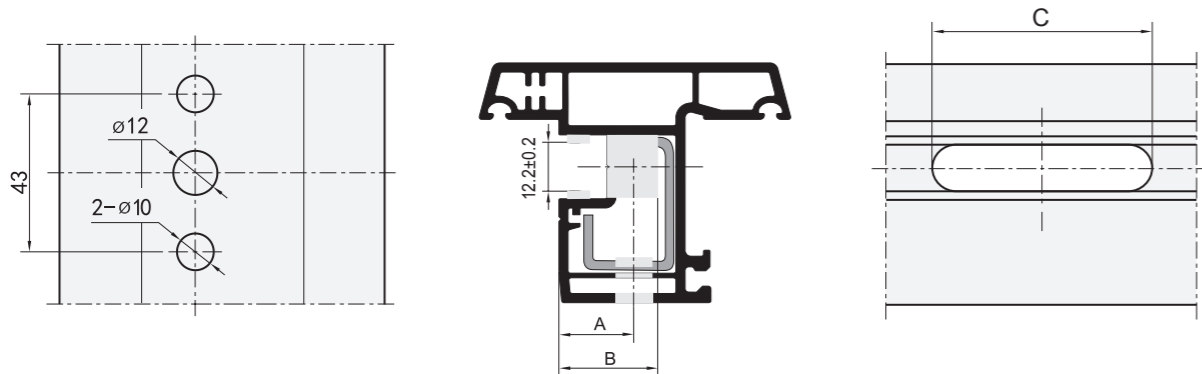
Optional Handle

Handle PZSW002	Handle PZSWR011

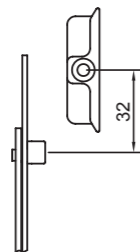
Configuration instruction

1. The load bearing capacity depends on the friction stay, please refer to friction stay series:
the sash weight (including the weight of glass, sash profile and other accessories) $\times 1.4$ (safety coefficient) \leq the maximum load bearing capacity of the friction stay.
2. To improve the security better, security lock point can be installed.
3. The above is only for reference. please consult our technical department for sepecific requierment.

Installation Instruction of Open-out Window System



A	20	22	25	30
B	≥28	≥30	≥33	≥38
C	≥88	≥88	≥68	≥87



Application

Please refer to transmitter series in this catalog to select the correct size

Adjustment

Use 4# allen key to adjust
Locking point of transmitter is ±1.5mm adjustable

Selecting the screw according to the actual situation, the counterhole must work with countersunk screw, other holes must work with pan head screw, so that the firmness and reliability of installation can be guaranteed. (Refer to the below photo)

Selection of the self-tapping screws



Countersunk screw



Pan head screw

Selection of the friction stay

1. Safety loading capacity formula of friction stay:
safety loading capacity=total weight (glass+sash part of aluminium profile)*safety factor 1.4 ≤ max. window weight [please refer to the technical parameters.]
2. Generally, for the side-hung window series, the length of friction stay should be no less than the 2/3 of the width of the window. If the window is light, then it can be 1/2.
when choosing the friction stay for top-hung window series, its length is normally the 1/2 of the height of the window.
3. Suggested proportion of the casement is height: width=1.5 : 1 .



In order to keep the best working state and extend the working life, please make the maintenance periodically.

Cleaning

Please keep the surface clean.
Strong corrosive solvents is never allowed.

Lubrication

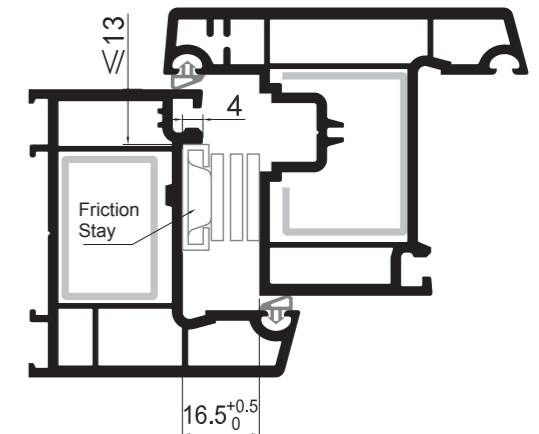
All the movable and mechanical friction parts of the friction stay should be lubricated with the lubrication oil or other lubricant.

Screw fixing

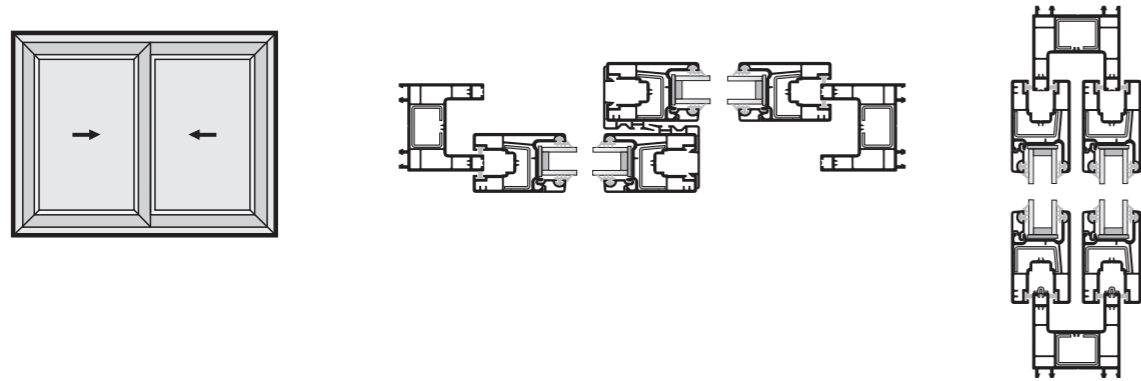
Please check and fasten the loose screw periodically.

Adjusting

If the window could not work smoothly, or the sealing effect is not good, etc. please kindly consult our engineers before taking the related steps.



7-1 SCTL100 Series Sliding Window Hardware System



Hardware Configuration for SCTL100 Series

Number	Product Name	Code	QTY	Page	Remark
01	Crescent lock	PYSR001/I	1	117	Optional, please indicate the color while placing order.
02	Locking hook	PSG008	1	120	
03	88 Single roller	PDHRC001	4	112	Optional
04	Anti-strike block	PFZK001	4	122	
05	Anti-strike block	PFZK003	1	123	
06	Anti-theft piece	PFDK002	1	122	

Optional roller

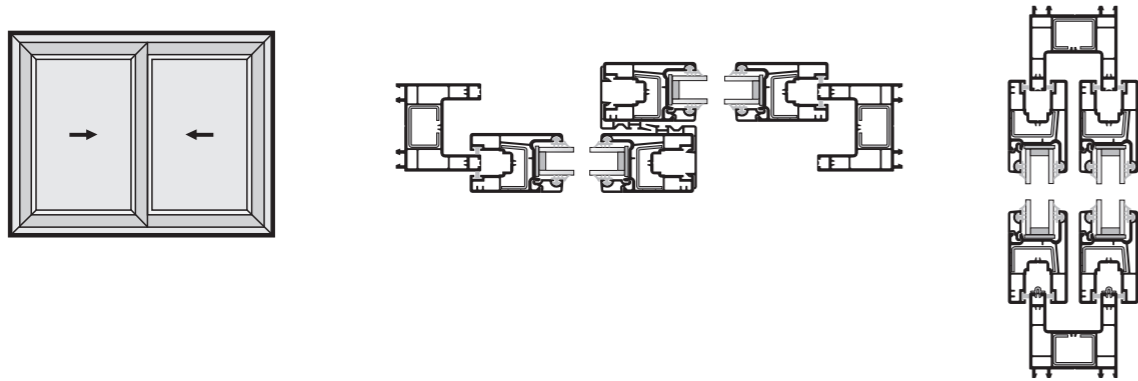


Configuration instruction

- The maximum load bearing capacity of this configuration is 40kg, the load bearing capacity depends on the roller, please refer to roller series:
The sash weight(including the weight of glass, sash profile and other accessories)X1.4(safety coefficient)≤the maximum load bearing capacity of the roller
- The above is only for reference. please consult our technical department for sepecific requierment.

7-2 SCTL200 Series Sliding Window Hardware System

Hardware Configuration for SCTL200 Series



Number	Product Name	Code	QTY	Page	Remark
01	Automatic sliding lock	PZDSL002	1	119	Optional (Including PSG001 Lock Hook) Please indicate the color while placing order
02		PZDSR002	1	119	
03	88 Single roller	PDHRC001	4	112	Optional
04	Anti-strike block	PFZK001	4	122	
05	Anti-theft piece	PFDK002	1	122	

Optional Roller

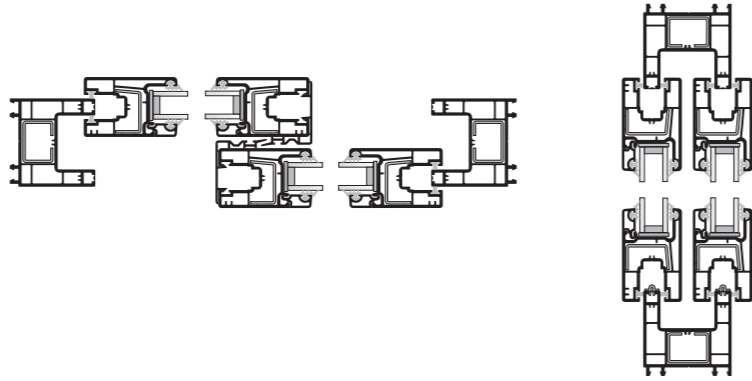
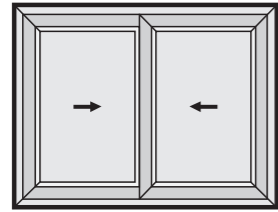


Configuration instruction

- The maximum load bearing capacity of this configuration is 40kg, the load bearing capacity depends on the roller, please refer to roller series:
The sash weight(including the weight of glass, sash profile and other accessories) \times 1.4(safety coefficient) \leq the maximum load bearing capacity of the roller
- The above is only for reference. please consult our technical department for sepecific requierment.

7-3 SMTL300 Series Sliding Door Hardware System

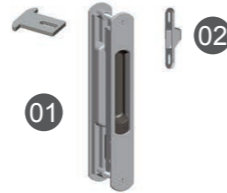
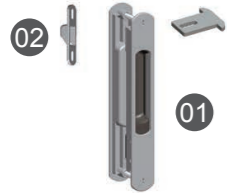
Hardware Configuration for SMTL300 Series



04

05

04



04



03



03



03

04

Number	Product Name	Code	QTY	Page	Remark
01	Manual sliding lock	PSDSS007	2	119	Optional, please indicate the color while placing order.
02	Locking plate	PSK008	2	121	Depends on profile depends on the quantity of manual sliding lock
03	12 Adjustable double roller	PTMLC00490K12	4	116	
04	Anti-strike block	PFZK001	4	122	
05	Anti-theft piece	PFDK002	1	122	

Optional Roller

12 Adjustable door roller / roller
PTMLC003120K12



Configuration instruction

1. The maximum load bearing capacity of this configuration is 90kg, the load bearing capacity depends on the roller, please refer to roller series: the sash weight(including the weight of glass, sash profile and other accessories) X1.4(safety coefficient)≤the maximum load bearing capacity of the roller
2. The above is only for reference. please consult our technical department for sepecific requierment.

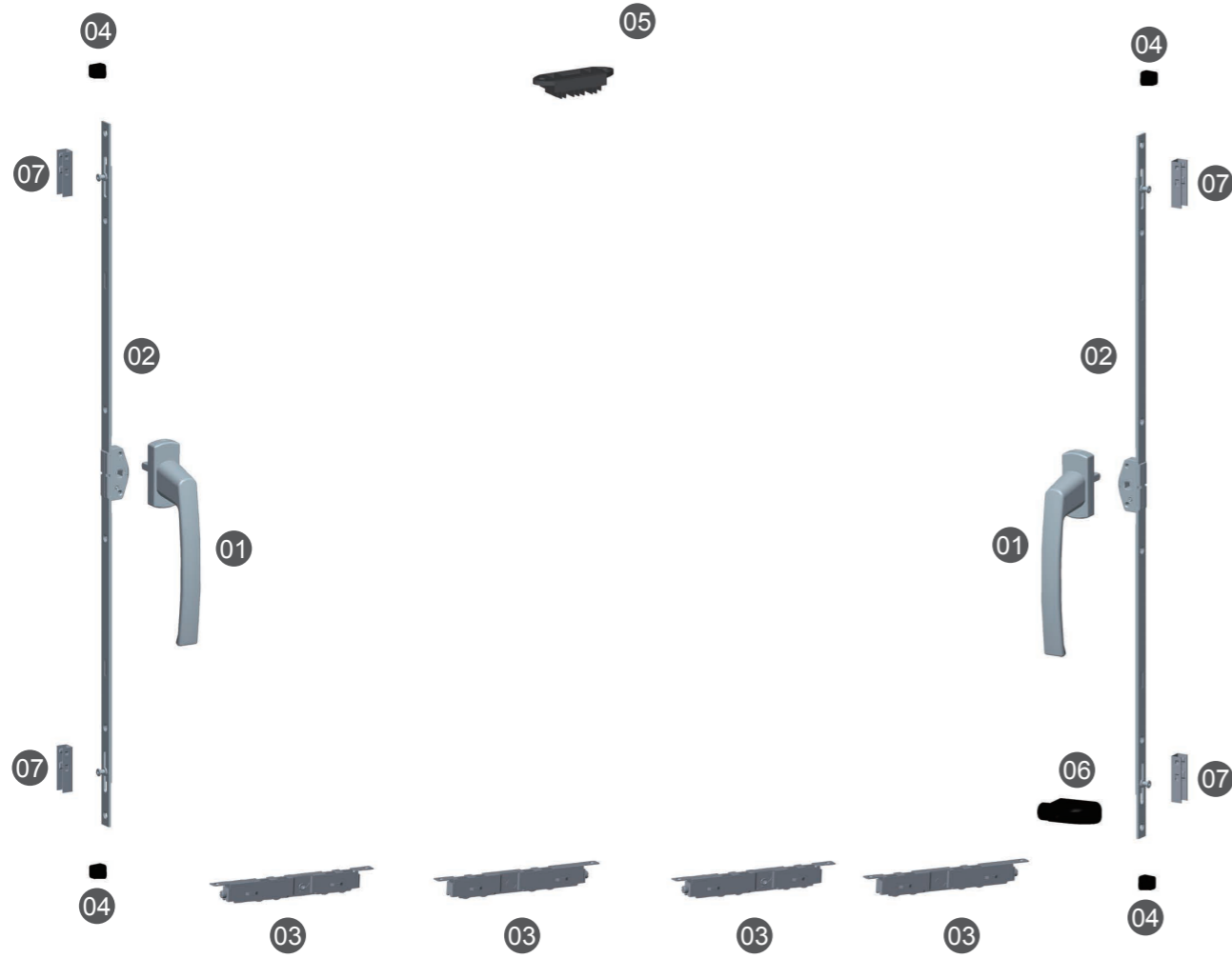
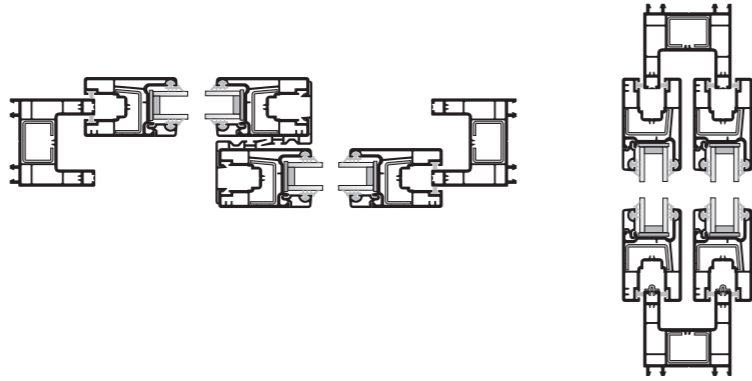
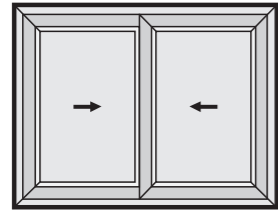
Note: The selection of screws and lock hook for double side manual sliding lock

L(screws length)=profile thickness(select length specifications in 5mm unit, eg. sash profile is 42mm, the screws length suggest to be M5X40)

the lock hook could be PZDS007-SG1 or PZDS007-SG2 according to the profile.

8-1 SMTL400 Series Sliding Door Hardware System

Hardware Configuration for SMTL400 Series



Number	Product Name	Code	QTY	Page	Remark
01	Handle	PZSN023	2	80	Optional, please indicate the color while placing order
02	Transmitter	PCDQT41508	2	134	Depends on window system
03	12 Adjustable double roller	PTMLC003160K12	4	115	
04	Anti-strike block	PFZK001	4	122	
05	Anti-theft piece	PFDK002	1	122	
06	Anti-strike block	PFZK005	1	123	
07	Locking Plate	PSK107	4	122	Depends on the quantity of locking points

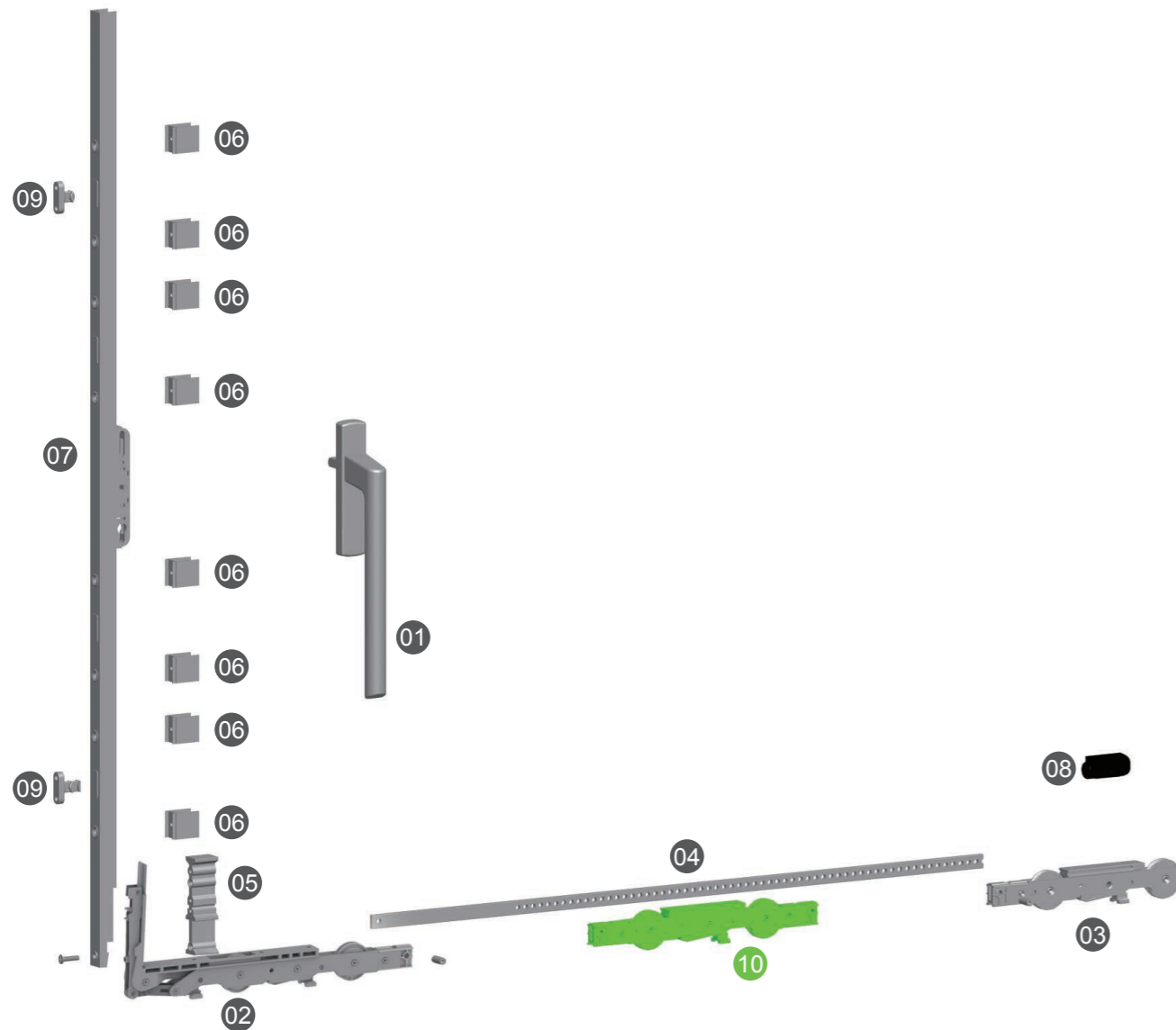
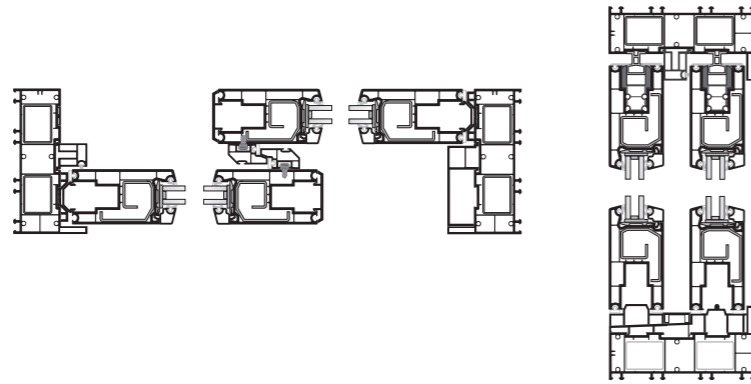
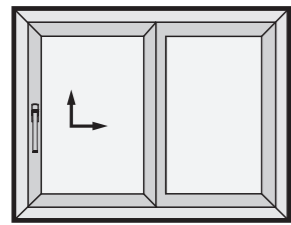
Optional Roller



Configuration instruction

1. The maximum load bearing capacity of this configuration is 160kg, the load bearing capacity depends on the roller, please refer to roller series: the sash weight(including the weight of glass, sash profile and other accessories) $\times 1.4$ (safety coefficient) \leq the maximum load bearing capacity of the roller
2. The above is only for reference. please consult our technical department for sepecific requierment.

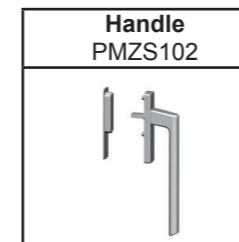
9、SMTSTL100 Series Lifting and Sliding Door Hardware System



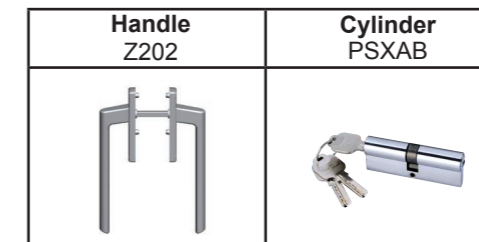
Hardware Configuration for SMTSTL100 Series

Number	Product Name	Code	QTY	Remark
01	Handle	PMZS100	1	Optional, please indicate the color while placing order
02	Front roller	H50A	1	Depends on window system
03	Back roller	H52	1	
04	Connect rod	H52-10	1	
05	Supporting socket	CDG2370-06	1	
06	Supporting block	CDG2370-05	8	
07	Transmitter Lock	CDG2370	1	
08	Anti-strike block	PFZK005	1	
09	Locking plate	SK51	2	
10	Middle roller	H51	1	

Optional Handle —



Optional Handle 二

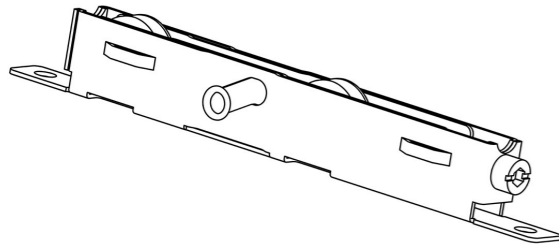


Configuration instruction

- Items in green are optional.
- Perfect combination of hardware, gasket and profile to ensure the performance of air tightness、 anti-dust and sound insulation.
- Slide smoothly, operate easily.
- Perfect anti-theft function by using anti-theft piece even if in micro-ventilation position.
- The maximum load bearing capacity of this configuration is 300kg, and the load bearing capacity depends on the roller, please refer to roller series:
The sash weight(including the weight of glass, sash profile and other accessories)X1.4(safety coefficient)≤the maximum load bearing capacity of the roller
- This series can be used widely, such as sunshine-room, balcony, partition door etc.
- The above is only for reference. please consult our technical department for sepecific requirement.

Installation Instruction of Sliding Door & Window

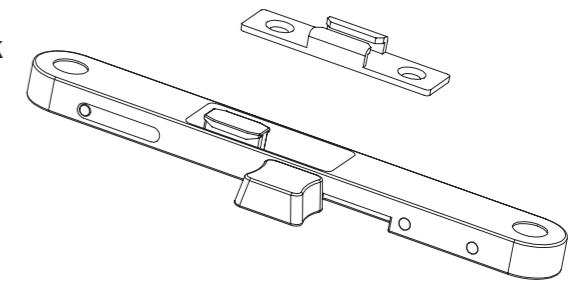
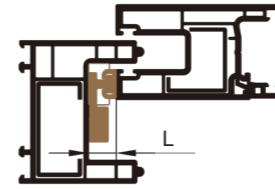
Height adjustment of roller



Note: It is recommended to install the roller after adjustment

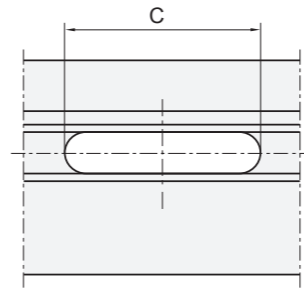
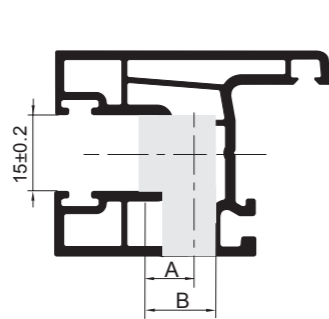
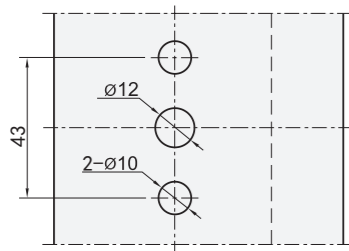
Roller adjustment		
Product code	Adjusting height(mm)	Adjusting tools
PTHRC003	13-14.5	cross screwdriver
PTMLP003120K12	21-26	slotted screwdriver, 4#Allen Key
PTMLC003120K12	20-25	
PTMLP003160K12	21-26	
PTMLC003160K12	20-25	
PTMLP00490K12	21-26	
PTMLC00490K12	20-25	
PTMLP00490K15	21-26	
PTMLC00490K15	20-25	
PTMLC00590K12	18-23	

Installation illustration of single-point lock

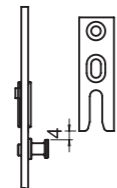


Single-point lock operation requirement		
Product code	Suitable profile	Distance between frame and sash L (mm)
PDDS01A	Window	18
PDDS02	Door	12
PDDS03A	Window	14

Drilling size of handle & transmitter



A	12
B	≥20
C	≥67



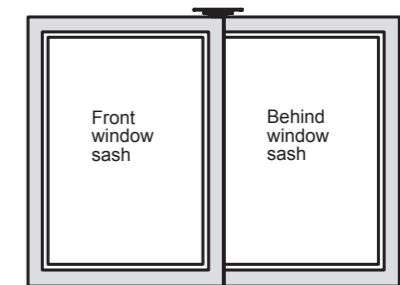
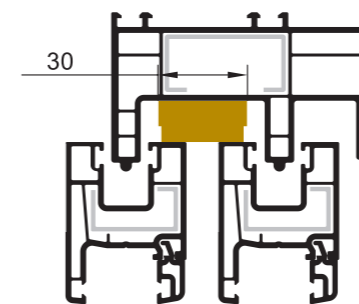
Application

Refer to transmitter series in this catalog to select correct transmitter

Adjustment

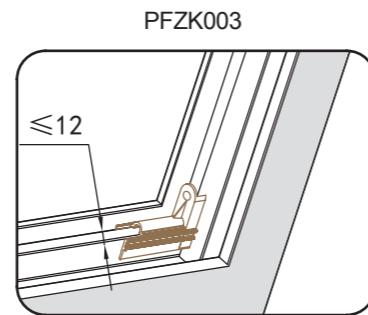
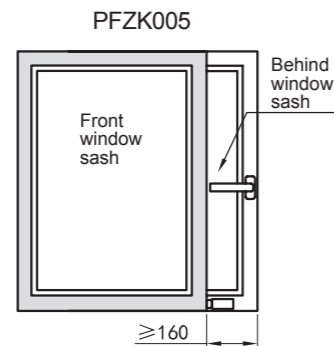
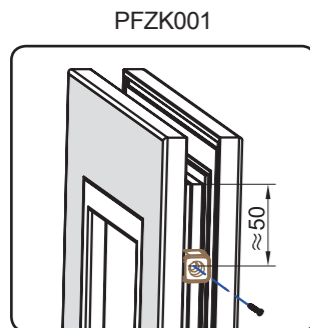
Use 4#allen key to adjust the tightness of locking point of transmitter ±0.5mm

Installation illustration of anti-theft piece



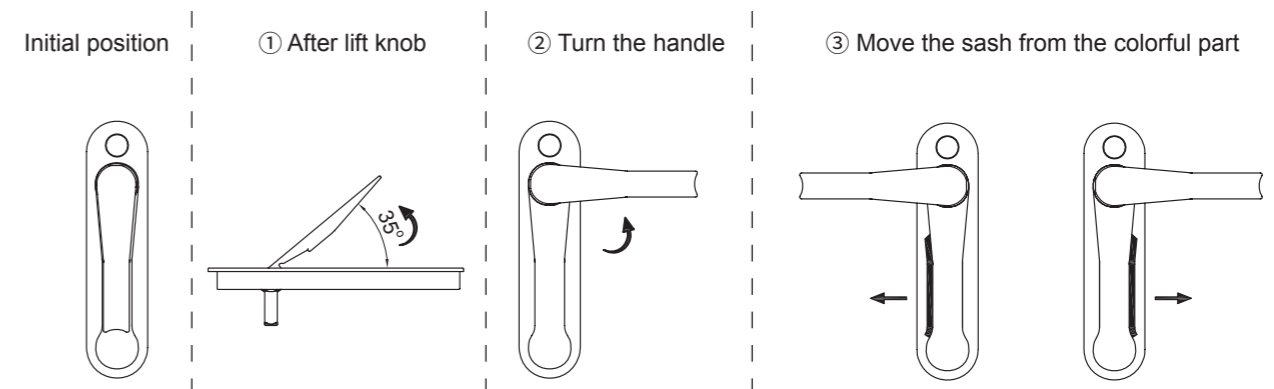
Try to install the anti-theft piece PFDK002 in the center of two tracks.

Installation illustration of anti-strike block



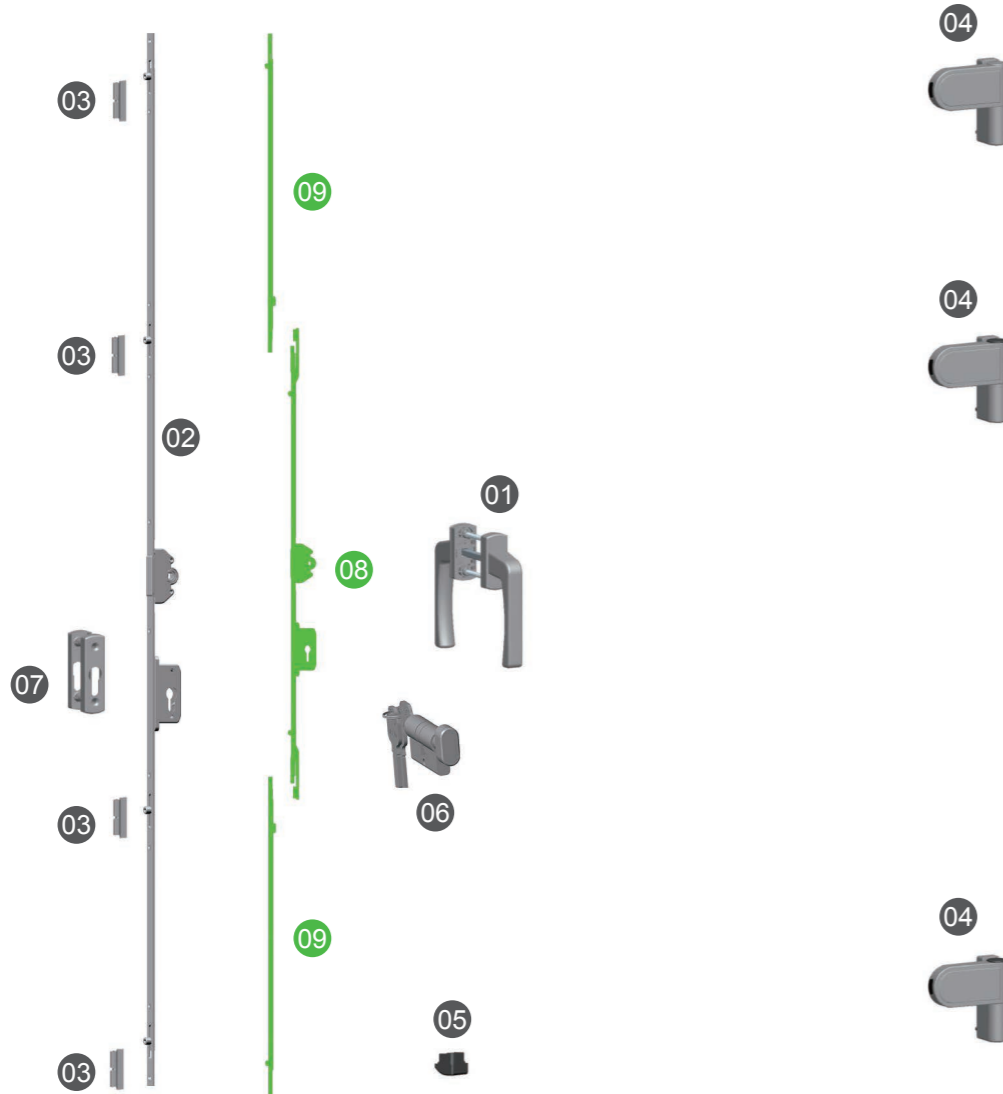
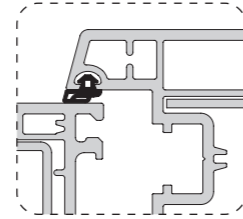
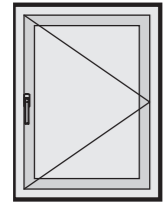
Note: When PZSN023 series is used, the installation size of anti-strike block PFZK005 in the figure should be not less than 190.

Installation instruction of pop-up handle



Remark: Don't use the knob to slide, which will break it. put the knob back after use

10-1 SMP100 Series Side-Hung Door Hardware System



Hardware Configuration for SMP100 Series

Number	Product Name	Code	QTY	Page	Remark
01	Handle	PMZS001	1	84	Optional, please indicate the color while placing order
02	Transmitter	PMCDQSS23018	1	142	Depends on door system
03	Locking plate	PSK20113	4	153	Divided into 9, 13 series, depends on the quantity of locking points
04	Pivot hinge	PMHY00180	3	106	Optional, please indicate the color while placing order
05	Lifting block	PTSK001	1	159	
06	Cylinder	PSXAB/T	1	146	Optional
07	Cover plate	PMMB001	1	89	Please indicate the color while placing order
08	Transmitter	PMCDQSS33008	1	142	
09	Side transmitter rod	PBCDG006	2	131	Depends on door system

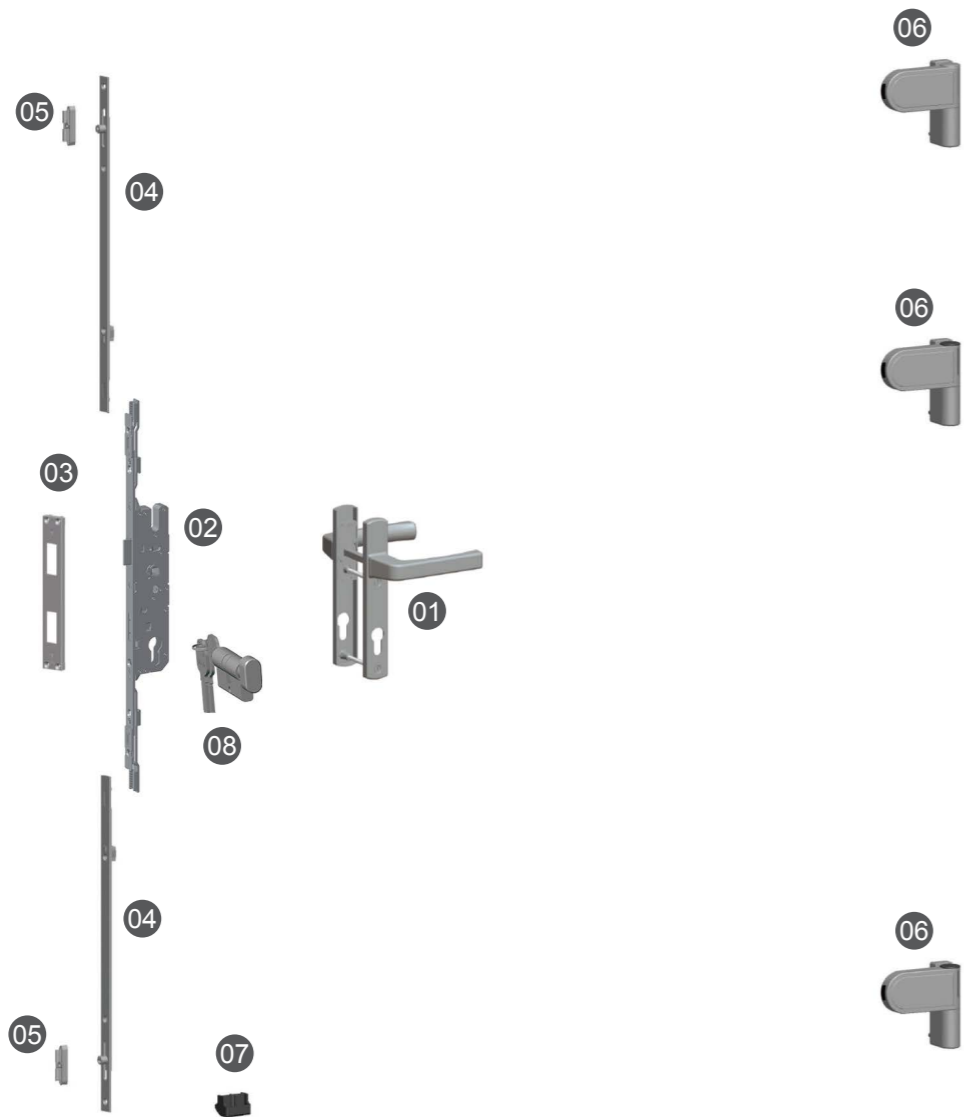
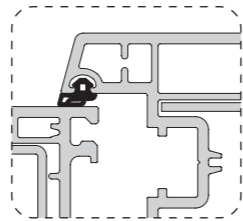
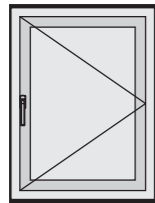
Optional Handle



Configuration instruction

- The maximum load bearing capacity of this configuration is 80kg, the load bearing capacity depends on the pivot hinge, please refer to pivot hinge series:
the sash weight(including the weight of glass, sash profile and other accessories) $\times 1.4$ (safety coefficient) \leq the maximum load bearing capacity of the pivot hinge.
- Items in green are optional.
- To improve the security better, security lock point can be installed.
- The above is only for reference. please consult our technical department for sepecific requierment.
Note: (1)Handle spindle length $L = \text{sash thickness} \delta + 30(40)\text{mm}$
(2)M5 fixing screw length $L = \text{sash thickness} \delta + 15\text{mm}$

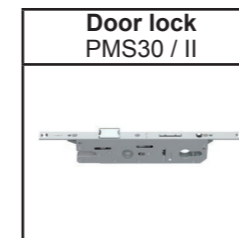
10-2、SMP200 Series Side-Hung Door Hardware System



Hardware Configuration for SMP200 Series

Number	Product Name	Code	QTY	Page	Remark
01	Handle	PMZS010	1	87	Optional, please indicate the color while placing order
02	Door lock	PMS30 / IA	1	145	Optional
03	Cover plate	PKMB002	1	159	
04	Side transmission rod	PBCDG006	2	131	Depends on door system
05	Locking plate	PSK20113	2	153	Divided into 9、13 series, depends on the quantity of locking points
06	Pivot hinge	PMHY002150	3	107	Optional, please indicate the color while placing order
07	Lifting block	PTSK001	1	159	
08	Cylinder	PSXAB/T	1	146	Optional

Optional Door Lock



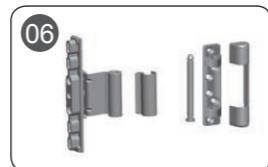
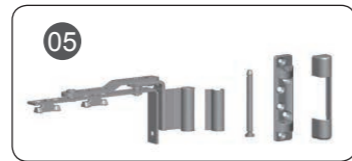
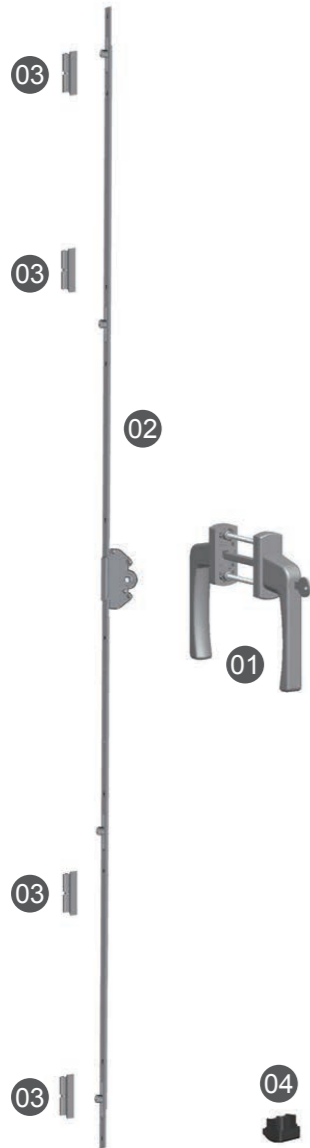
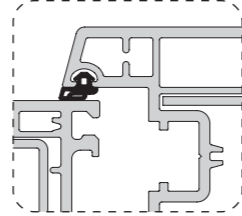
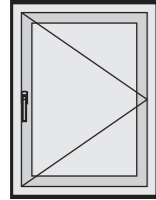
Configuration instruction

1. The maximum load bearing capacity of this configuration is 150kg, the load bearing capacity depends on the pivot hinge, please refer to pivot hinge series:
the sash weight(including the weight of glass, sash profile and other accessories) \times 1.4(safety coefficient) \leq the maximum load bearing capacity of the pivot hinge.5. to better improve the security, security lock point can be installed.
2. To improve the security better, security lock point can be installed.
3. The above is only for reference. please consult our technical department for sepecific requierment.

Note: (1)Handle spindle length L=sash thickness δ +30(40)mm
(2)M5 fixing screw length L=sash thickness δ +15mm

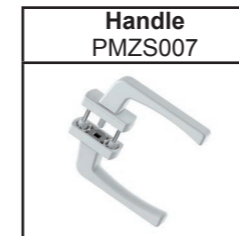
10-3、SMP300 Series Side-Hung Door Hardware System

Hardware Configuration for SMP300 Series



Number	Product Name	Code	QTY	Page	Remark
01	Handle	PMZS009	1	86	Optional, please indicate the color while placing order
02	Transmitter	PMCDQS23018	1	142	Depends on door system
03	Locking plate	PSK20113	4	153	Divided into9、13series, depends on the quantity of locking points
04	Lifting block	PTSK001	1	159	
05	Upper pivot hinge	PHYSNR00213	1	97	Left&Right, Divided into9、13series, please indicate the color while placing order, standard hardware can be purchased by sets or pieces
06	Mid pivot hinge	PHYZ00813	1	97	Divided into9、13series, please indicate the color while placing order, standard hardware can be purchased by sets or pieces
07	Bottom pivot hinge	PHYXNR00913	1	97	Left&Right, Divided into9、13series, please indicate the color while placing order, standard hardware can be purchased by sets or pieces

Optional Handle

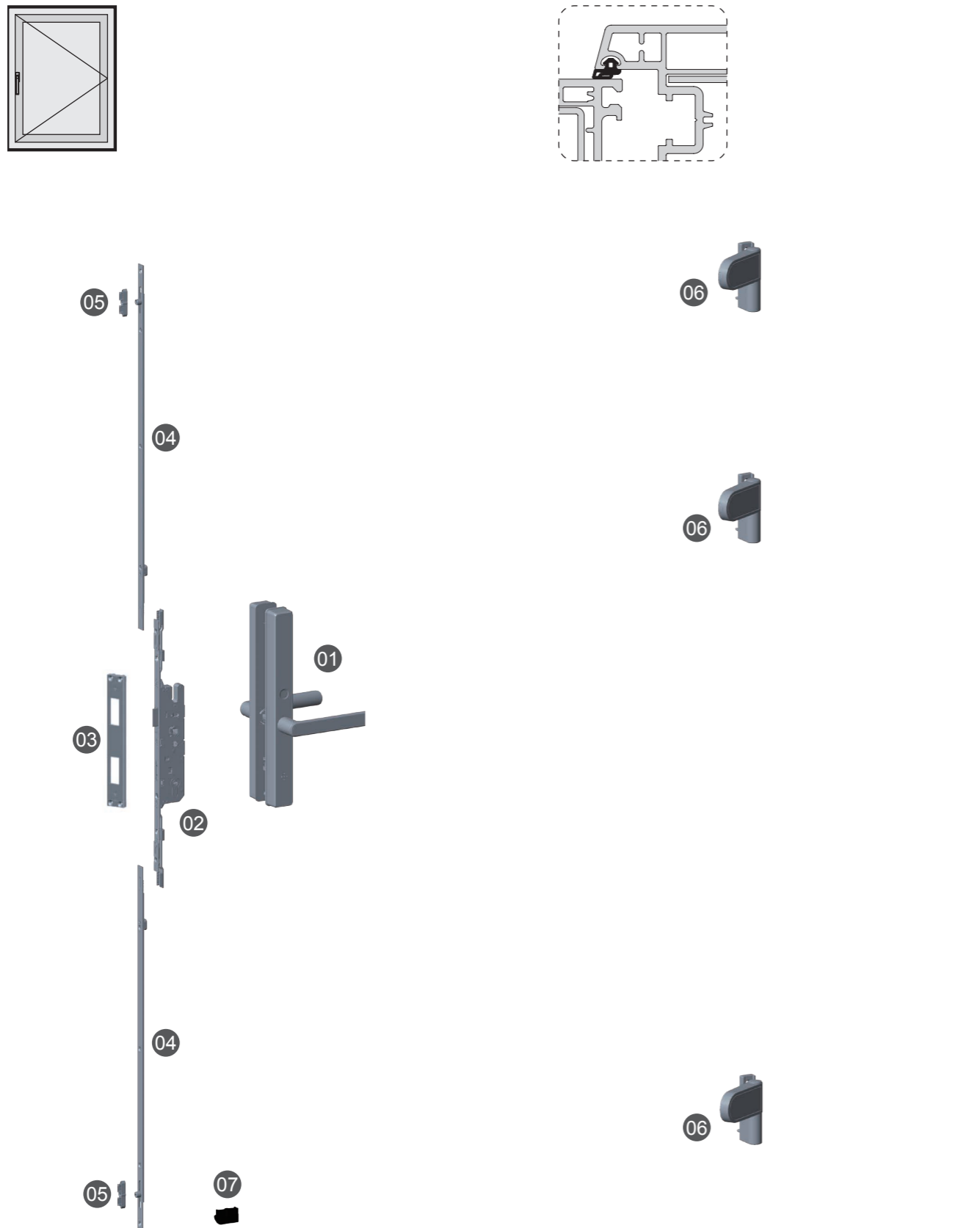


Configuration instruction

1. The maximum load bearing capacity of this configuration is 65kg, the load bearing capacity depends on the pivot hinge, please refer to pivot hinge series:
the sash weight(including the weight of glass, sash profile and other accessories) $\times 1.4$ (safety coefficient) \leq the maximum load bearing capacity of the pivot hinge.5. to better improve the security, security lock point can be installed.
 - 2.To improve the security better, security lock point can be installed.
 3. The above is only for reference. please consult our technical department for sepecific requierment.
- Note: (1)Handle spindle length $L = \text{sash thickness} \delta + 30(40)\text{mm}$
(2)M5 fixing screw length $L = \text{sash thickness} \delta + 15\text{mm}$

10-4、SMP500 Series Smart Lock Side-Hung Door Hardware System

Hardware Configuration for SMP500 Series



Number	Product Name	Code	QTY	Page	Remark
01	Smart lock	PMZSZL001	1	72	Left & Right, please indicator the color while placing order
02	Door lock	PMS35/IAFX	1	144	Optional
03	Cover plate	PKMB002	1	159	
04	Side transmission rod	PBCDG006	2	131	Depends on door system
05	Locking plate	PSK20113	2	153	Divided into9、13series, depends on the quantity of locking points
06	Hinge	PMHY002150	3	107	Optional, please indicator the color while placing order
07	Lifting piece	PTSK001	1	159	

Optional Handle

Door lock PMS35/IA	Door handle PMZS010	Lock cylinder PSXAB/T

Configuration instruction

- Above configuration is applicable to "13 series, besides there is "9" series configuration.
- The maximum load bearing capacity of this configuration is 150kg, the load bearing capacity depends on the hinge, Please refer to hinge series; sash dead weight(the weight of glass、sash profile and other accessories) $\times 1.4$ (safety factor) \leq maximum load bearing capacity of hinge.
- For improving the better security, security lock point can be selected.
- The above is only for reference. please consult our technical department for specific requirements.

Matching rules for intelligent lock square steel, screw and twist bar:

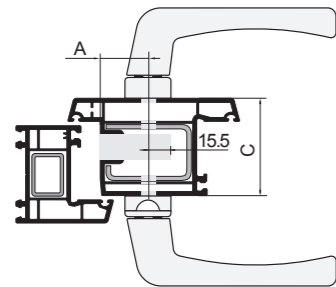
- the length of the square steel $L =$ the thickness of the sash profile $\delta + (25 \sim 30) \text{mm}$ (take the common multiple of 5, such as profile thickness 42mm, take square steel 70mm);
- M5 screw length $L =$ profile thickness (if it is not a common multiple of 5, use the addition method to take the value, such as profile thickness 42mm, screw 45mm);
- See configuration instructions on page 73 for the length of torsion bar.

Door handle PMZS010 square steel and screw selection rules:

- Length of square steel $L =$ thickness of sash profile $\delta + (30 \sim 40) \text{mm}$;
- Length of M5 screw $L =$ thickness of sash profile $\delta + 15 \text{mm}$.

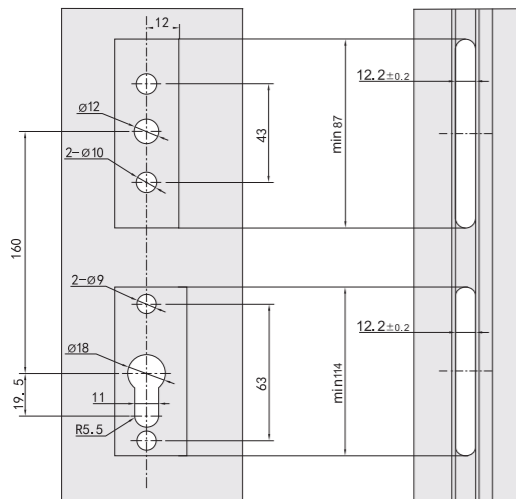
Installation Instruction of Side-hung Door Hardware

Drilling size of transmitter with key



Selection of spindle and screws:

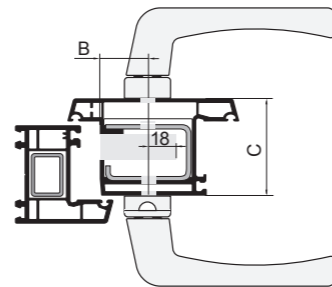
- (1) The length of square steel $L=C+(30-40)$ MM
- (2) Length of M5 screw $L=C+15$ MM



Remarks: A=25,30,35,40,45

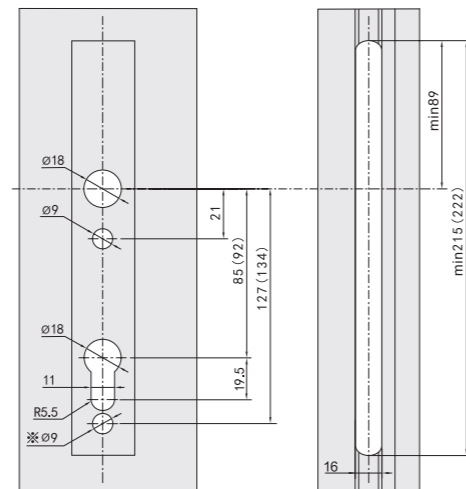
- ◆ This drilling size also can be used for transmitter without key, just don't drill hole for lock cover

Drilling size of door lock



Selection of spindle and screws:

- (1) The length of square steel $L=C+(30-40)$ MM
- (2) Length of M5 screw $L=C+15$ MM

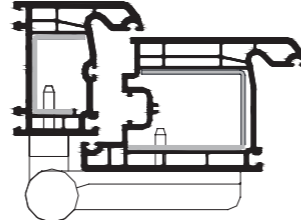
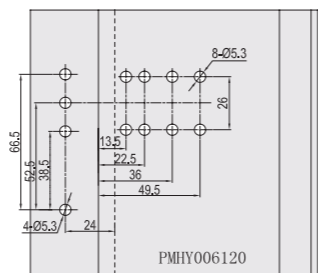
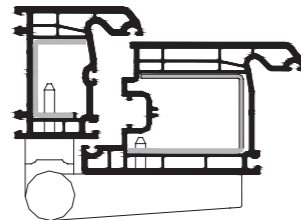
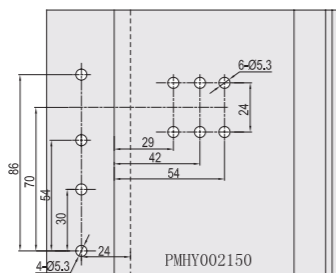
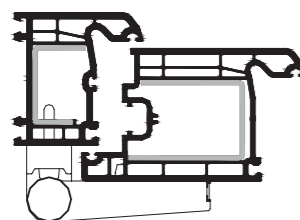
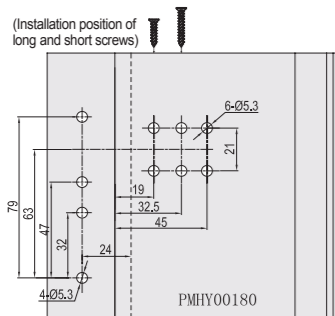


Remarks: B=30,35

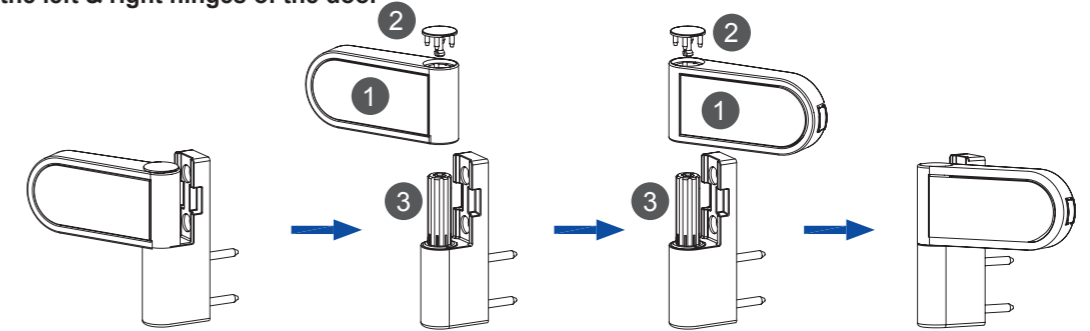
- ◆ The size in bracket is for PMS9235/II

Installation instruction of hinge

(The sash cantilever is 20mm, and the overlap of sash and frame is 8mm)



Switch the left & right hinges of the door



① Door hinge of right type door

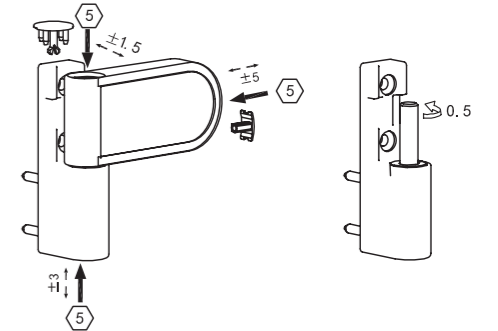
② Disassemble the 1, 2, 3 parts, and rotate clockwise the part 1 by 180 degree

③ After rotation, assemble the 1, 2, 3 parts

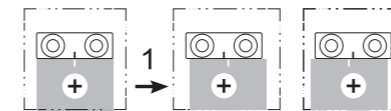
④ Door hinge of left type door

Adjusting function of door hinge

Code number	Adjustment (mm)			A	Washer quantity ≤ 2	Installation tool
	up & down	left & right	front & rear			
PMHY00180	± 3	± 5	+1/-2	15.5-18.5	PMHY00180-11A	PMKMQ06
PMHY002150	± 3	± 5	+1/-2	15.5-18.5	PMHY002150-11	PMKMQ07
PMHY006120	± 3	± 5	± 1	16.5-18.5	PMHY006120DP	PMKMQ09



PKMB002 Adjustment instruction



- 1. Loosen the screws to adjust size ± 2 mm from left and right.

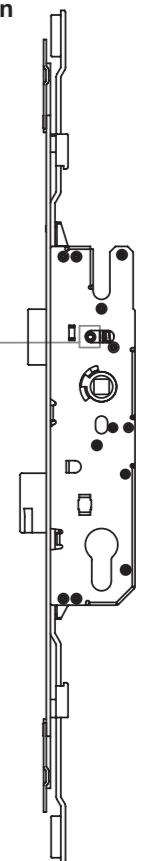
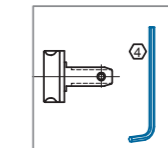


- 2. PKMB002 Rotate 180°, can be adjusted to use for 9 series or 13 series profile.

9 arrow points to the door sash direction installation, when the profile is 13 series, 13 arrow points to the door sash direction installation.

Adjustment instruction of door lock

Change the bevel tongue left and right direction



Instruction of Smart Lock Hardware



Fingerprint, password, mechanical,
3 kinds of unlock functions



1

Virtual password anti-peep technology



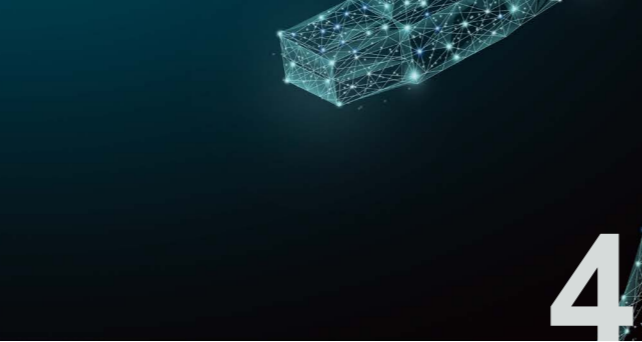
2

Human voice navigation assistant



3

Emergency USB power interface



4

Instruction of Smart Lock Hardware

Product name: smart lock
Product code: PMZSZL001(Left type)
PMZSZR001(Right type)

Surface finish:



Pearl silver



Nano black

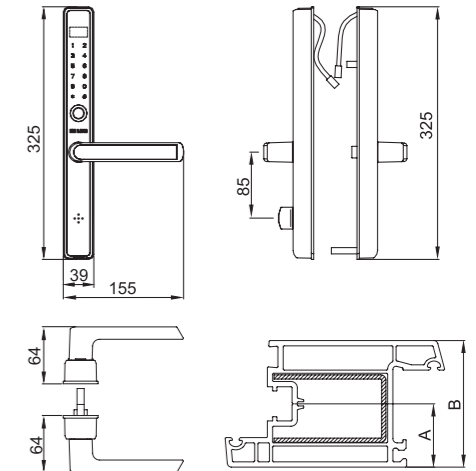


Red bronze

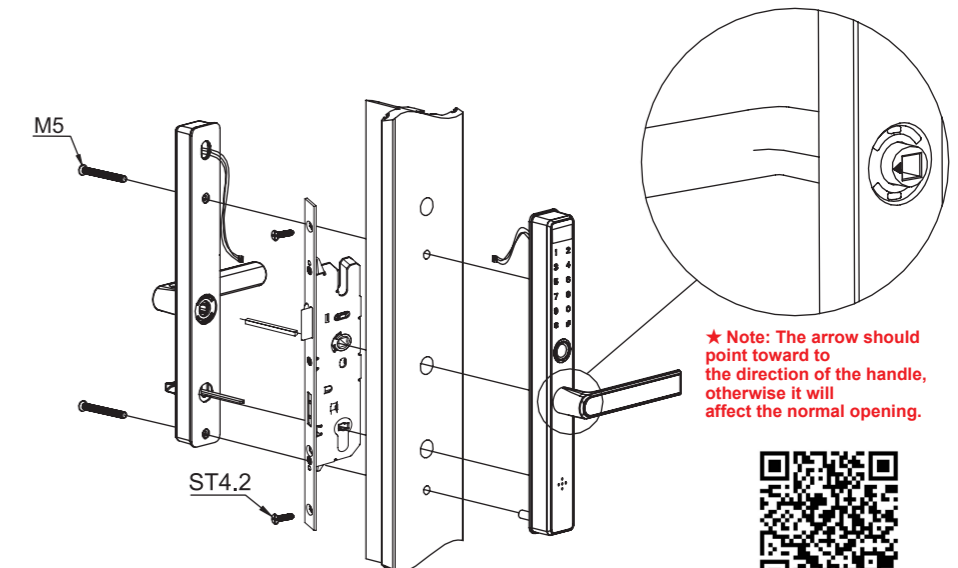
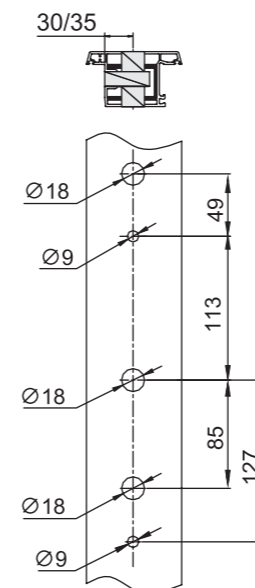
Configuration Instruction:

- (1) spindle, screws, twist strip can be ordered separately or packaged in complete sets;
- (2) spindle PMFG8-L, L=profile thickness + (25-30)mm (take the common multiple of 5, such as 42mm of profile thickness and 70mm of square steel);
- (3) Screws M5*L, L= profile thickness (If the value is not the common multiple of 5, the addition value is adopted, such as 42mm of profile thickness, and 45mm of screw is taken);
- (3) Twist strips: PNT-Lxx (such as PNT-L65) A+20≤xx≤B+12
A: The distance between the center of u groove to the visible face of indoor;
B: Profile thickness;
xx: Specifications of twist strip (standard products have 3 kinds of size, 40、60、130).

Note: If the specifications of the standard product are not within the scope, the twist strip should be customized, the customized length should be the common multiple of 5, when multiple specifications are available at the same time, 65 specifications are preferred.



Installation Instruction of Smart Lock



★ Note: The arrow should point toward to the direction of the handle, otherwise it will affect the normal opening.

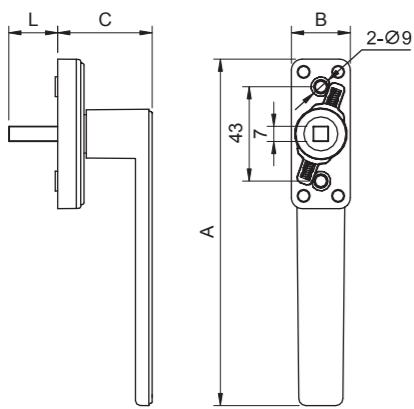


Please refer to the user manual for smart profile door lock in the package attachment or scan the QR code on the package for the operation instructions.

Hardcover handle



Hardcover handle ingenuity quality



Product code	Surface treatment	Specification A*B*C	Optional color
PZSNJ007	Amino baking paint, weather resistant powder	158*26.8*43	Fashion silver, Bronze, Starry sky gray, Light black
PZSNJ008	Amino baking paint, weather resistant powder	166*27.4*48	
PZSNJ009	Anodic oxidation	171*29*65	Fashion silver, Bronze, Starry sky gray
PZSNJ010	Anodic oxidation	159*29*54.1	
PZSNJR011 PZSNJL011	Anodic oxidation	166.5*29*35	

- ◆ Applicable system: side-hung windows, Sliding doors & windows
- ◆ Spindle exposed: L=25.30.35.40.45
- ◆ The color shall refer to the actual products

Standard color: Fashion silver Bronze Starry sky gray Light black



seiko fine, professional



Mechanical rotation, clear and pleasant



Weather resistance and corrosion resistance



A variety of colors

Note: For order quantity less than 1000 sets with standard color, the production time symbol ★★ < 7days, ★ < 10days, none > 15days, The actual production time should be evaluated and the instructions above is for reference only.

Handle Series




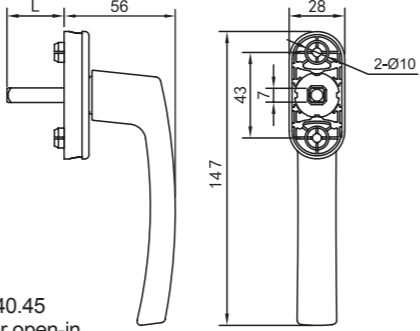

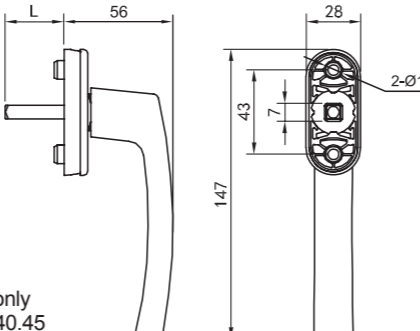

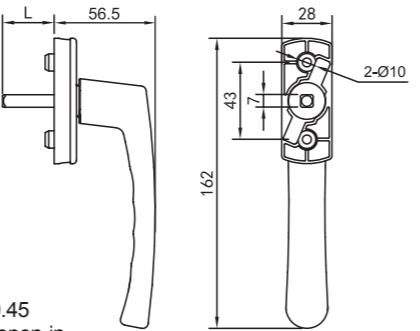

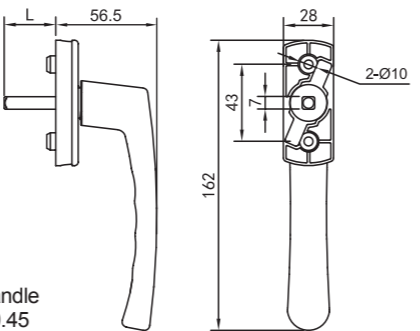
Interpretation of handle code: PZSN00130

P / ZS / N / 001 / 30
 U groove / Handle / Open-in / Serial number / The length of square steel 30mm
 door and window


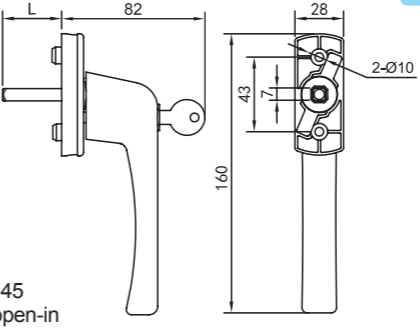

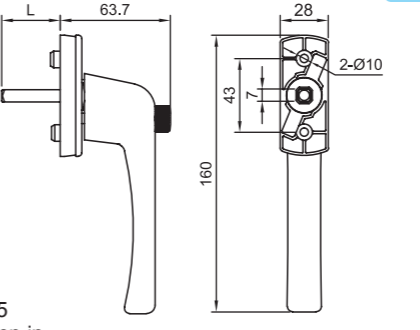

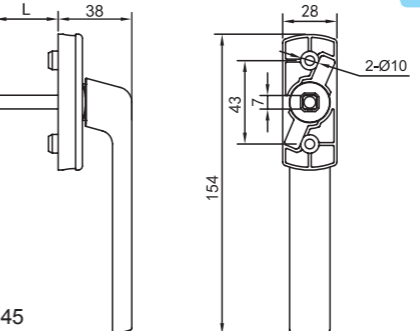

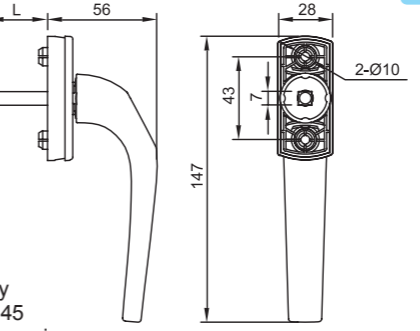
Handle Series

<p>PZSN001 ★★ L=30.35</p> <ul style="list-style-type: none"> ◆ Handle L=25.30.35.40.45 ◆ Applicable for open-in windows / sliding windows & doors 	
<p>PZSN002</p> <ul style="list-style-type: none"> ◆ Handle L=25.30.35.40.45 ◆ Applicable for open-in windows / sliding windows & doors 	
<p>PZSN004</p> <ul style="list-style-type: none"> ◆ Handle L=25.30.35.40.45 ◆ Applicable for open-in windows / sliding windows & doors 	
<p>PZSN005</p> <ul style="list-style-type: none"> ◆ Handle L=25.30.35.40.45 ◆ Applicable for open-in windows / sliding windows & doors 	

Handle Series


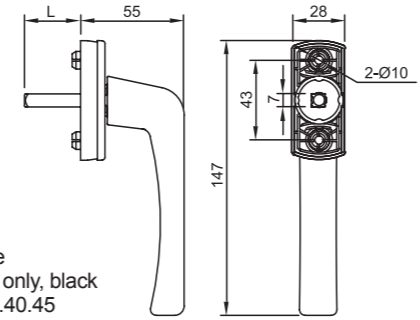

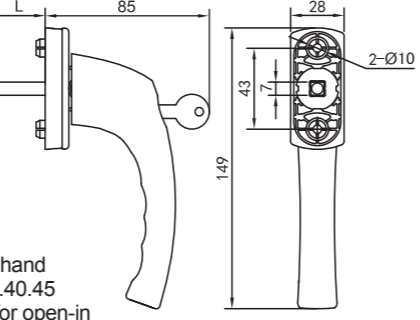

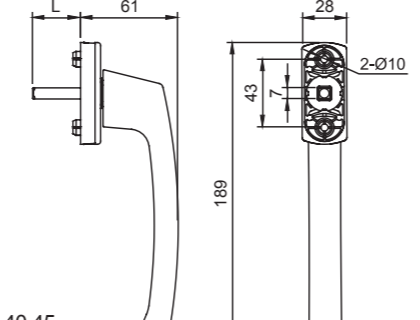

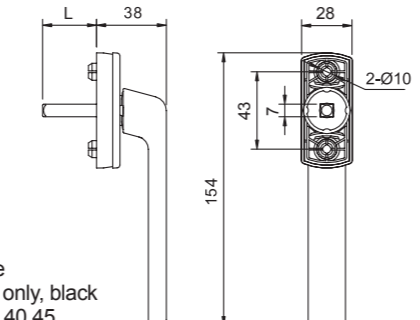
	<p>PZSN006</p>  <ul style="list-style-type: none"> ◆ Handle L=25.30.35.40.45 ◆ Applicable for open-in windows / sliding windows & doors
	<p>PZSN006S</p>  <ul style="list-style-type: none"> ◆ Handle ◆ Plastic base plate, White only L=25.30.35.40.45 ◆ Applicable for open-in windows / sliding windows & doors
	<p>PZSN007</p>  <ul style="list-style-type: none"> ◆ Handle L=25.30.35.40.45 ◆ Applicable for open-in windows / sliding windows & doors
	<p>PZSN008</p>  <ul style="list-style-type: none"> ◆ Handle ◆ 45° Position handle L=25.30.35.40.45 ◆ Applicable for open-in windows / sliding windows & doors

Handle Series

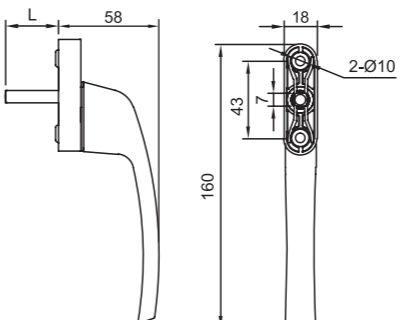

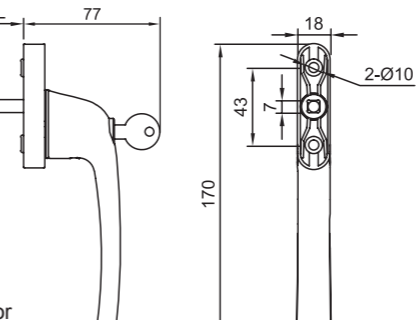

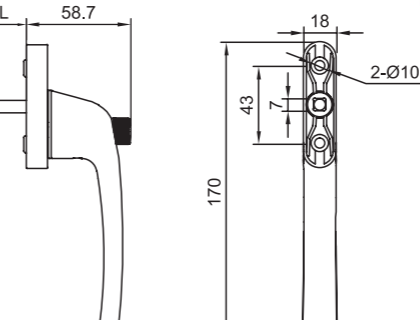

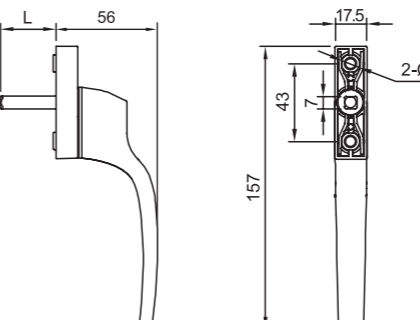

	<p>PZSN009</p>  <ul style="list-style-type: none"> ◆ Handle L=25.30.35.40.45 ◆ Applicable for open-in windows / sliding windows & doors ◆ Opened with same key
	<p>PZSN009/I</p>  <ul style="list-style-type: none"> ◆ Handle L=25.30.35.40.45 ◆ Applicable for open-in windows / sliding windows & doors
	<p>PZSN010</p>  <ul style="list-style-type: none"> ◆ Handle L=25.30.35.40.45 ◆ Applicable for open-in windows / sliding windows & doors
	<p>PZSN013 ★★ L=30.35</p>  <ul style="list-style-type: none"> ◆ Handle ◆ Plastic base plate, White only L=25.30.35.40.45 ◆ Applicable for open-in windows / sliding windows & doors

Note: For order quantity less than 1000 sets with standard color, the production time symbol ★★ < 7days, ★ < 10days, none > 15days, The actual production time should be evaluated and the instructions above is for reference only.

Handle Series


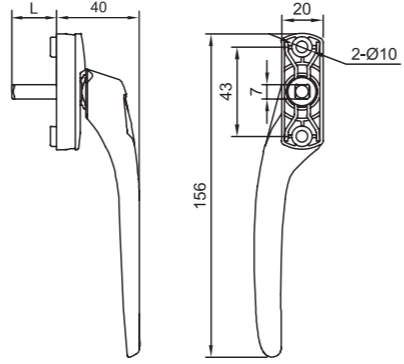

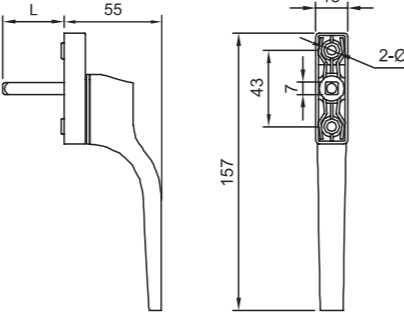

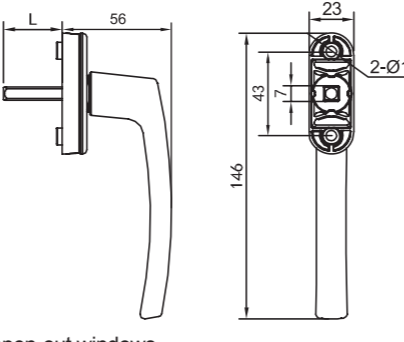

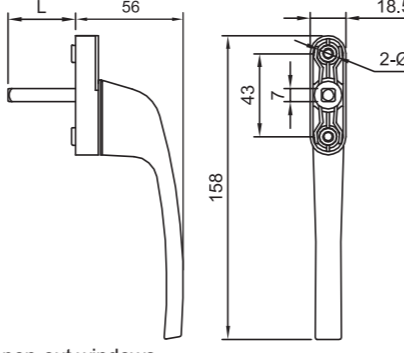
<p>★ L=30.35</p> 	<p>PZSN014</p>  <ul style="list-style-type: none"> ◆ Handle ◆ Plastic base plate, White only, black L=25.30.35.40.45 ◆ Applicable for open-in windows / sliding windows & doors
	<p>PZSN017</p>  <ul style="list-style-type: none"> ◆ Handle ◆ Safety lock hand L=25.30.35.40.45 ◆ Applicable for open-in windows / sliding windows & doors ◆ Opened with same key
	<p>PZSN023</p>  <ul style="list-style-type: none"> ◆ Handle L=25.30.35.40.45 ◆ Applicable for open-in windows / sliding windows & doors
	<p>PZSN025</p>  <ul style="list-style-type: none"> ◆ Handle ◆ Plastic base plate, White only, black L=25.30.35.40.45 ◆ Applicable for open-in windows / sliding windows & doors

Handle Series


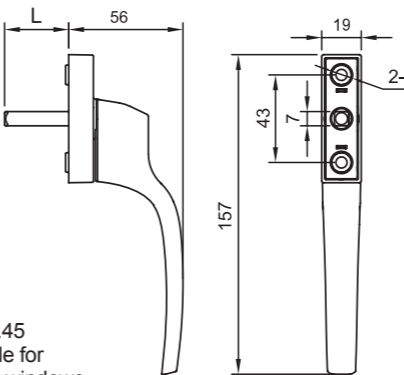

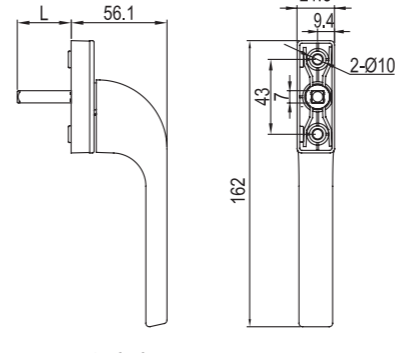

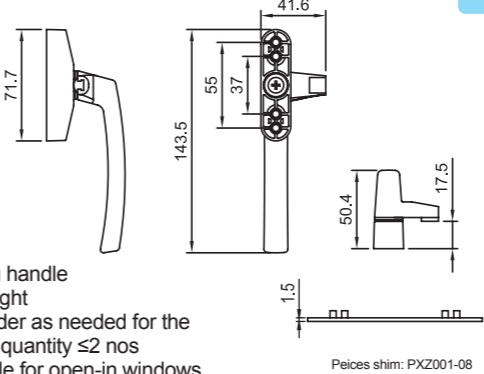

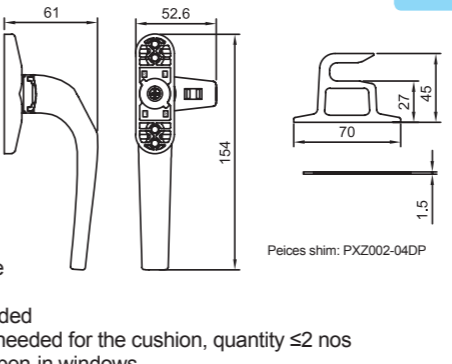
 <ul style="list-style-type: none"> ◆ Handle L=35.40.45 ◆ Applicable for open-out windows 	<p>PZSW001</p>  <p>★★ L=40</p>
 <ul style="list-style-type: none"> ◆ Handle L=35.40.45 ◆ Applicable for open-out windows ◆ Opened with same key 	<p>PZSW002</p> 
 <ul style="list-style-type: none"> ◆ Handle L=35.40.45 ◆ Applicable for open-out windows 	<p>PZSW002/I</p> 
 <ul style="list-style-type: none"> ◆ Handle L=35.40.45 ◆ Applicable for Open-out windows 	<p>P11</p>  <p>★★ L=40</p>

Note: For order quantity less than 1000 sets with standard color, the production time symbol ★★ < 7days, ★ < 10days, none > 15days, The actual production time should be evaluated and the instructions above is for reference only.

Handle Series


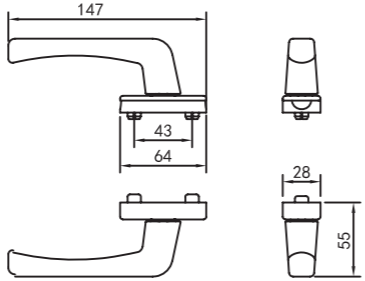

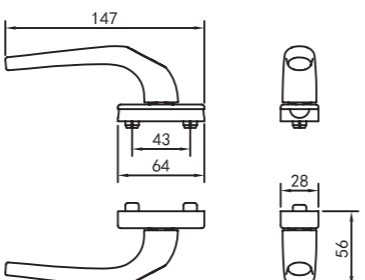

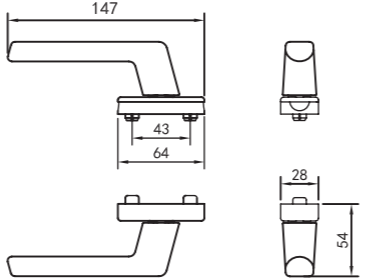

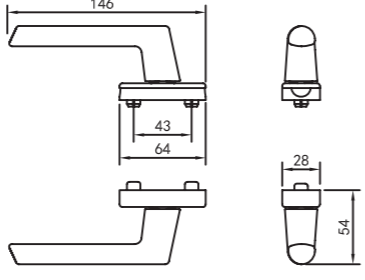
	<p>PZSWR004</p>  <ul style="list-style-type: none"> ◆ Handle ◆ Left & Right ◆ L=35.40.45 ◆ Applicable for open-out windows
<p>★★ L=40</p> 	<p>PZSW005</p>  <ul style="list-style-type: none"> ◆ Handle ◆ White only ◆ L=35.40.45 ◆ Applicable for open-out windows
	<p>PZSW006</p>  <ul style="list-style-type: none"> ◆ Handle ◆ L=35.40.45 ◆ Applicable for open-out windows
<p>★ L=40</p> 	<p>PZSW007</p>  <ul style="list-style-type: none"> ◆ Handle ◆ White only ◆ L=35.40.45 ◆ Applicable for open-out windows

Handle Series


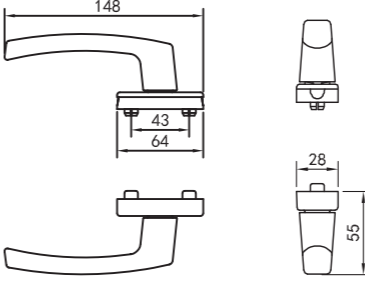

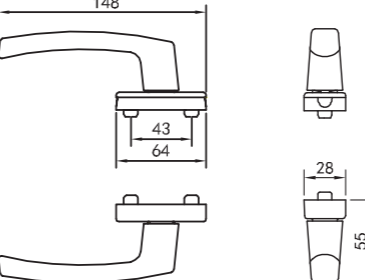

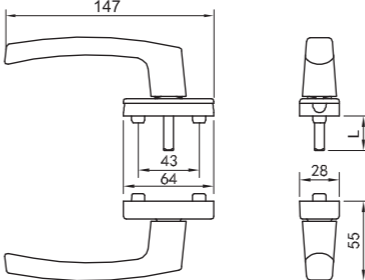

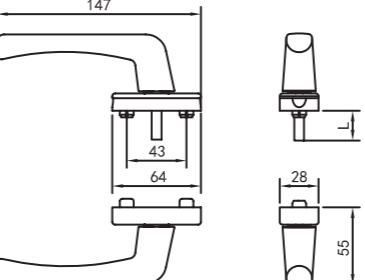
	<p>PZSW010</p>  <ul style="list-style-type: none"> ◆ Handle ◆ L=35.40.45 ◆ Applicable for open-out windows
	<p>PZSWR011</p>  <ul style="list-style-type: none"> ◆ Handle ◆ L=35.40.45 ◆ Left & Right ◆ Applicable for open-out windows
	<p>PXZSR001A ★★</p>  <ul style="list-style-type: none"> ◆ Spinning handle ◆ Left & Right ◆ Place order as needed for the cushion, quantity ≤2 nos ◆ Applicable for open-in windows <p>Peices shim: PXZ001-08</p>
	<p>PXZSR002</p>  <ul style="list-style-type: none"> ◆ Spinning handle ◆ Left & Right ◆ Lock base included ◆ Place order as needed for the cushion, quantity ≤2 nos ◆ Applicable for open-in windows <p>Peices shim: PXZ002-04DP</p>

Note: For order quantity less than 1000 sets with standard color, the production time symbol ★★ < 7days, ★ < 10days, none > 15days, The actual production time should be evaluated and the instructions above is for reference only.

Handle Series


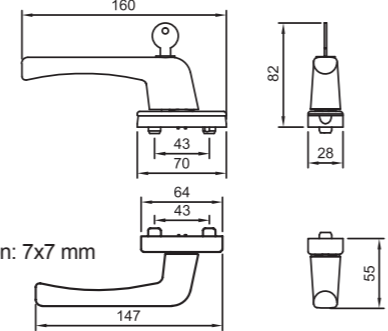

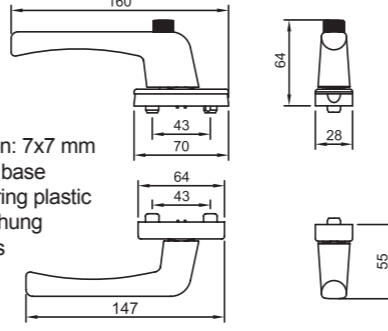

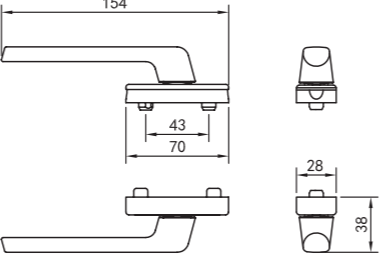

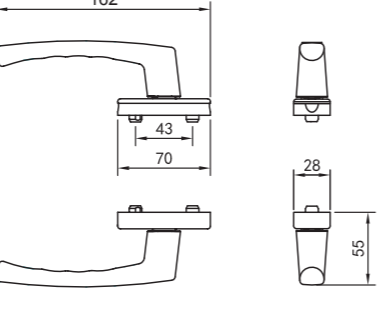
	<p>PMZS001</p>  <ul style="list-style-type: none"> ◆ Handle ◆ Spindle specification: 7x7 mm ◆ Applicable for side-hung doors / sliding doors
	<p>PMZS002</p>  <ul style="list-style-type: none"> ◆ Handle ◆ Spindle specification: 7x7 mm ◆ Applicable for side-hung doors / sliding doors
	<p>PMZS004</p>  <ul style="list-style-type: none"> ◆ Handle ◆ Spindle specification: 7x7 mm ◆ Applicable for side-hung doors / sliding doors
	<p>PMZS005</p>  <ul style="list-style-type: none"> ◆ Handle ◆ Spindle specification: 7x7 mm ◆ Applicable for side-hung doors / sliding doors

Handle Series


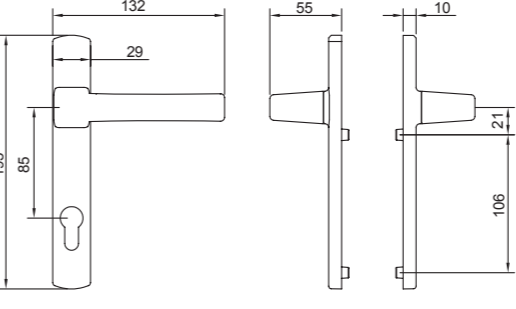

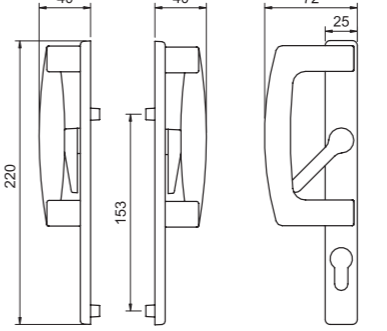

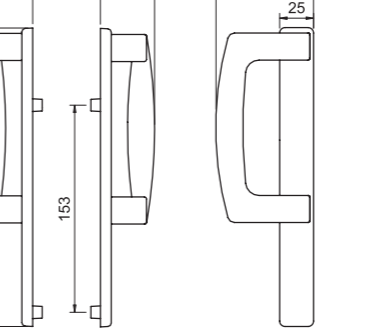

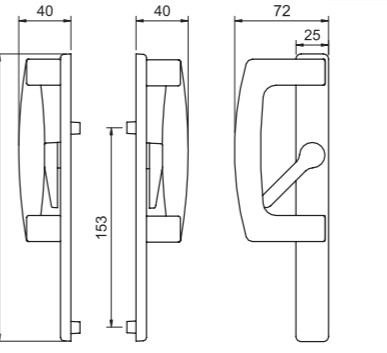
	<p>PMZS006</p>  <ul style="list-style-type: none"> ◆ Handle ◆ Spindle specification: 7x7 mm ◆ Applicable for side-hung doors / sliding doors
	<p>PMZS006S</p>  <ul style="list-style-type: none"> ◆ Handle ◆ White only ◆ Spindle specification: 7x7 mm ◆ Handle indoor side base material is engineering plastic ◆ Applicable for side-hung doors / sliding doors
	<p>PMZS006JS</p>  <ul style="list-style-type: none"> ◆ Handle ◆ White only ◆ Handle indoor side base material is engineering plastic ◆ L=30.35.40.45 ◆ Applicable for side-hung doors / sliding doors
	<p>PMZS007</p>  <ul style="list-style-type: none"> ◆ Handle ◆ L=30.35.40.45 ◆ Applicable for side-hung doors / sliding doors

Note: For order quantity less than 1000 sets with standard color, the production time symbol ★★ < 7days, ★ < 10days, none > 15days, The actual production time should be evaluated and the instructions above is for reference only.

Handle Series


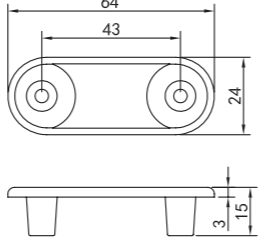

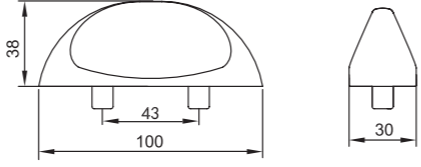

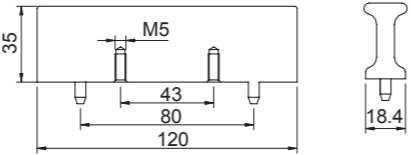
	<p>PMZS009</p>  <ul style="list-style-type: none"> ◆ Handle ◆ Spindle specification: 7x7 mm ◆ The key side is the inside of the room ◆ Applicable for side-hung doors / sliding doors ◆ Opened with same key
	<p>PMZS009/I</p>  <ul style="list-style-type: none"> ◆ Handle ◆ Spindle specification: 7x7 mm ◆ Handle indoor side base material is engineering plastic ◆ Applicable for side-hung doors / sliding doors
	<p>PMZS011</p>  <ul style="list-style-type: none"> ◆ Handle ◆ Spindle specification: 7x7 mm ◆ Applicable for side-hung doors / sliding doors
	<p>PMZS012</p>  <ul style="list-style-type: none"> ◆ Handle ◆ Spindle specification: 7x7 mm ◆ Applicable for side-hung doors / sliding doors

Handle Series

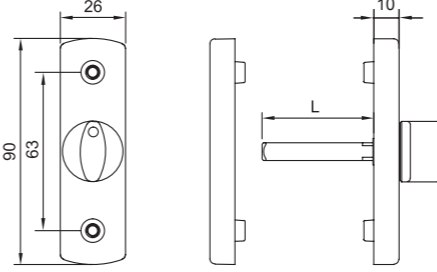

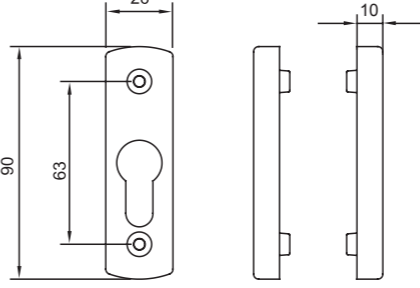

	<p>PMZS010</p>  <ul style="list-style-type: none"> ◆ Handle ◆ Spindle specification: 8x8 mm ◆ Applicable for side-hung doors / sliding doors
	<p>PMLSR002G40</p>  <ul style="list-style-type: none"> ◆ Handle ◆ Left & right, white only ◆ Spindle specification: 7x7 mm ◆ Spindle length=sash thickness+30mm ◆ Screw length=sash thickness+10mm ◆ Matched with pmcdqss415t series, suitable for sliding door.
	<p>PMLSR003G40</p>  <ul style="list-style-type: none"> ◆ Handle ◆ Left & right, white only ◆ Applicable for sliding doors
	<p>PMLSR004G40</p>  <ul style="list-style-type: none"> ◆ Handle ◆ Left & right, white only ◆ Spindle specification: 7x7 mm ◆ Spindle length=Sash thickness+30mm ◆ Screw length=Sash thickness+10mm

Note: For order quantity less than 1000 sets with standard color, the production time symbol ★★ < 7days, ★ < 10days, none > 15days, The actual production time should be evaluated and the instructions above is for reference only.

Handle Series

	<p>PMB101</p>  <ul style="list-style-type: none"> ◆ Cover plate ◆ Screw length=sash thickness+5mm ◆ Screw is not included
	<p>PMZS011-01</p>  <ul style="list-style-type: none"> ◆ Exterior handle ◆ Screw length=sash thickness+10mm ◆ Screw is not included
	<p>PMLS01</p>  <ul style="list-style-type: none"> ◆ Sliding door handle ◆ White only ◆ Screw length=sash thickness+20mm ◆ Screw is not included

Handle Series

	<p>PMB002 ★</p>  <ul style="list-style-type: none"> ◆ Cover plate L=45 ◆ Screw length=Sash thickness+15mm ◆ With the transmitter PMCDQSS140 series or PMCDQSS145 series supporting use.
	<p>PMMB001 ★</p>  <ul style="list-style-type: none"> ◆ Cover plate ◆ Screw length=sash thickness+15mm

Note: For order quantity less than 1000 sets with standard color, the production time symbol ★★ < 7days, ★ < 10days, none > 15days, The actual production time should be evaluated and the instructions above is for reference only.

Durable handle



Durable handle

Patent structure: expansion pre-tightening

Our advantages:

- The lock more tight
- Liberation of production
- Reduce after-sales

Antibacterial Handle Series



Product category	Name	Code	Handle Exterior	Surface Color
Open-in window handle series	Handle	PZSNK001	The appearance is the same as the handle PZSN001	Black/White
	Handle	PZSNK002	The appearance is the same as the handle PZSN002	Black/White
	Handle	PZSNK006	The appearance is the same as the handle PZSN006	Black/White
	Handle	PZSNK007	The appearance is the same as the handle PZSN007	Black/White
	Handle	PZSNK023	The appearance is the same as the handle PZSN023	Black/White
open-out window handle series	Handle	P11K	The appearance is the same as the handle P11	Black/White
	Handle	PZSWK001	The appearance is the same as the handle PZSW001	Black/White
	Handle	PZSWK006	The appearance is the same as the handle PZSW006	Black/White
Door handle series	Handle	PMZSK001	The appearance is the same as the handle PMZS001	Black/White
	Handle	PMZSK002	The appearance is the same as the handle PMZS002	Black/White
	Handle	PMZSK010	The appearance is the same as the handle PMZS010	Black/White

- ◆ The surface adopts new antibacterial powder coating and electrostatic spraying process.
- ◆ Sterilization, environmental protection, to ensure home safety!
- ◆ Open-in window handle series, open-out window handle series, door handle series for your choice.

Laser identification

ANTI BACTERIA

Note: For order quantity less than 1000 sets with standard color, the production time symbol ★★ < 7days, ★ < 10days, none > 15days. The actual production time should be evaluated and the instructions above is for reference only.

Hinge order before & after split comparison table

Number	Production name	Code number	Fitting name	Fitting Code number	Remark
1	Upper corner hinge	PHYSNR/L0029	Upper pivot hinge	PHYSN002	See Item No. 9 for components
			Corner connecting rod	PJBLGR/L0029	
			Outer cover	PHYSN002-03A	
2	Upper corner hinge	PHYSNR/L00213	Upper pivot hinge	PHYSN002	See Item No. 9 for components
			Corner connecting rod	PJBLGR/L00213	
			Outer cover	PHYSN002-03A	
3	Upper corner hinge	PHYSNR/L0039	Upper pivot hinge	PHYSN003	See Item No. 10 for components
			Corner connecting rod	PJBLGR/L0039	
			Outer cover	PHYSN002-03A	
4	Upper corner hinge	PHYSNR/L00313	Upper pivot hinge	PHYSN003	See Item No. 10 for components
			Corner connecting rod	PJBLGR/L00313	
			Outer cover	PHYSN002-03A	
5	Upper corner hinge	PHYSNR/L0049	Upper pivot hinge	PHYSN004	See Item No. 11 for components
			Corner connecting rod	PJBLGR/L0029	
			Outer cover	PHYSN002-03A	
6	Upper corner hinge	PHYSNR/L00413	Upper pivot hinge	PHYSN004	See Item No. 11 for components
			Corner connecting rod	PJBLGR/L00213	
			Outer cover	PHYSN002-03A	
7	Upper corner hinge	PHYSNR/L0069	Upper pivot hinge	PHYSN004	
			Corner connecting rod	PJBLGR/L0069	
			Outer cover	PHYSN002-03A	
8	Upper corner hinge	PHYSNR/L00613	Upper pivot hinge	PHYSN004	See Item No. 11 for components
			Corner connecting rod	PJBLGR/L00613	
			Outer cover	PHYSN002-03A	
9	Upper pivot hinge	PHYSN002	Upper frame assembly	PHYSN002K	
			Outer cover	PHYSN002-04	
10	Upper pivot hinge	PHYSN003	Upper frame assembly	PHYSN003K	
			Outer cover	PHYSN003-02	
11	Upper pivot hinge	PHYSN004	Upper frame assembly	PHYSN004K	
			Outer cover	PHYSN003-02	
12	Mid pivot hinge	PHYZ00809	Upper frame assembly	PHYSN002K	
			Mid sash assembly	PHYZ00709SC	
			Outer cover	PHYSN002-04	
			Outer cover	PHYSN002-03A	
13	Mid pivot hinge	PHYZ00813	Upper frame assembly	PHYSN002K	
			Mid sash assembly	PHYZ00713SC	
			Outer cover	PHYSN002-04	
			Outer cover	PHYSN002-03A	
14	Mid pivot hinge	PHYZ00709	Upper frame assembly	PHYSN003K	
			Mid sash assembly	PHYZ00709SC	
			Outer cover	PHYSN003-02	
			Outer cover	PHYSN002-03A	

Instructions

1. In order to ensure that the product performance is stable, pls exactly ensure the use of the matched frame and sash fitting components as shown in the table. not be free to match.
2. Standard color order can be placed with product code no or fitting code no, non-standard colors only with fitting code sr.

Hinge order before & after split comparison table

Number	Production name	Code number	Fitting name	Fitting code number	Remark
1	Mid pivot hinge	PHYZ00713	Upper frame assembly	PHYSN003K	
			Mid sash assembly	PHYZ00713SC	
			Outer cover	PHYSN003-02	
			Outer cover	PHYSN002-03A	
2	Mid pivot hinge	PHYZ005	Upper frame assembly	PHYSN002K	
			Spindle	PHYZ005-01	
			Outer cover	PHYZ005-02	
			Outer cover	PHYSN002-04	
3	Mid pivot hinge	PHYZ006	Upper frame assembly	PHYSN003K	
			Spindle	PHYZ005-01	
			Outer cover	PHYZ005-02	
			Outer cover	PHYSN003-02	
4	Bottom pivot hinge	PHYXN002	Bottom frame assembly	PHYXN010KA	
			Bottom sash assembly	PHYXN002S	
			Outer cover	PHYXN0099-05	
			Outer cover	PHYXN0099-06	
5	Bottom pivot hinge	PHYXNR/L0069	Outer cover	PHYXN002-03	
			Bottom frame assembly	PHYXN009KA	
			Bottom sash assembly	PHYXNR/L0069S	
			Outer cover	PHYXNR/L0099-07C	
6	Bottom pivot hinge	PHYXNR/L00613	Outer cover	PHYXN0099-06	
			Outer cover	PHYXN0099-05	
			Bottom frame assembly	PHYXN009KA	
			Bottom sash assembly	PHYXNR/L00613S	
7	Bottom pivot hinge	PHYXNR/L0099	Outer cover	PHYXNR/L0099-07C	
			Outer cover	PHYXN0099-06	
			Outer cover	PHYXN0099-05	
			Bottom frame assembly	PHYXN009KA	
8	Bottom pivot hinge	PHYXNR/L00913	Bottom sash assembly	PHYXNR/L0099SC	
			Outer cover	PHYXN0099-05	
			Outer cover	PHYXN0099-06	
			Outer cover	PHYXNR/L0099-07C	
9	Bottom pivot hinge	PHYXNR/L0109	Bottom frame assembly	PHYXN010KA	
			Bottom sash assembly	PHYXNR/L0109SC	
			Outer cover	PHYXN0099-05	
			Outer cover	PHYXN0099-06	
10	Bottom pivot hinge	PHYXNR/L01013	Outer cover	PHYXNR/L0099-07C	
			Bottom frame assembly	PHYXN010KA	
			Bottom sash assembly	PHYXNR/L01013SC	
			Outer cover	PHYXN0099-05	
10	Bottom pivot hinge	PHYXNR/L01013	Outer cover	PHYXN0099-06	
			Outer cover	PHYXN0099-05	
			Outer cover	PHYXNR/L0099-07C	

Instructions

1. In order to ensure that the product performance is stable, pls exactly ensure the use of the matched frame and sash fitting components as shown in the table. not be free to match.
2. Standard color order can be placed with product code no or fitting code no, non-standard colors only with fitting code sr.

Concealed hinge order before & after split comparison table

Number	Production name	Code number	Fitting name	Fitting Code number
1	Concealed Upper pivot hinge	PYHYSR0039A	Upper frame assembly	PYHYSR0039KA
			Upper sash assembly	PYHYS003SA
2	Concealed Upper pivot hinge	PYHYSR00313A	Upper frame assembly	PYHYSR00313KA
			Upper sash assembly	PYHYS003SA
3	Concealed Upper pivot hinge	PYHYSL0039A	Upper frame assembly	PYHYSL0039KA
			Upper sash assembly	PYHYS003SA
4	Concealed Upper pivot hinge	PYHYSL00313A	Upper frame assembly	PYHYSL00313KA
			Upper sash assembly	PYHYS003SA
5	Concealed Bottom pivot hinge	PYHYXR0039A	Bottom frame assembly	PYHYXR0039KA
			Bottom sash assembly	PYHYXR0039S
6	Concealed Bottom pivot hinge	PYHYXR00313A	Bottom frame assembly	PYHYXR00313KA
			Bottom sash assembly	PYHYXR00313S
7	Concealed Bottom pivot hinge	PYHYXL0039A	Bottom frame assembly	PYHYXL0039KA
			Bottom sash assembly	PYHYXL0039S
8	Concealed Bottom pivot hinge	PYHYXL00313A	Bottom frame assembly	PYHYXL00313KA
			Bottom sash assembly	PYHYXL00313S
9	Concealed Upper pivot hinge	PYHYSR0039AP	Upper frame assembly	PYHYSR0039KAP
			Upper sash assembly	PYHYS003SA
10	Concealed Upper pivot hinge	PYHYSR00313AP	Upper frame assembly	PYHYSR00313KAP
			Upper sash assembly	PYHYS003SA
11	Concealed Upper pivot hinge	PYHYSL0039AP	Upper frame assembly	PYHYSL0039KAP
			Upper sash assembly	PYHYS003SA
12	Concealed Upper pivot hinge	PYHYSL00313AP	Upper frame assembly	PYHYSL00313KAP
			Upper sash assembly	PYHYS003SA
13	Concealed Bottom pivot hinge	PYHYXR0039AP	Bottom frame assembly	PYHYXR0039KAP
			Bottom sash assembly	PYHYXR0039S
14	Concealed Bottom pivot hinge	PYHYXR00313AP	Bottom frame assembly	PYHYXR00313KAP
			Bottom sash assembly	PYHYXR00313S
15	Concealed Bottom pivot hinge	PYHYXL0039AP	Bottom frame assembly	PYHYXL0039KAP
			Bottom sash assembly	PYHYXL0039S
16	Concealed Bottom pivot hinge	PYHYXL00313AP	Bottom frame assembly	PYHYXL00313KAP
			Bottom sash assembly	PYHYXL00313S
17	Concealed Upper pivot hinge	PYHYSR0049	Upper frame assembly	PYHYSR0049K
			Upper sash assembly	PYHYS003SA
18	Concealed Upper pivot hinge	PYHYSR00413	Upper frame assembly	PYHYSR00413K
			Upper sash assembly	PYHYS003SA

Concealed hinge order before & after split comparison table

Number	Production name	Code number	Fitting name	Fitting Code number
19	Concealed Upper pivot hinge	PYHYSL0049	Upper frame assembly	PYHYSL0049K
			Upper sash assembly	PYHYS003SA
20	Concealed Upper pivot hinge	PYHYSL00413	Upper frame assembly	PYHYSL00413K
			Upper sash assembly	PYHYS003SA
21	Concealed Bottom pivot hinge	PYHYXR0049	Bottom frame assembly	PYHYXR0049K
			Bottom sash assembly	PYHYXR0039S
22	Concealed Bottom pivot hinge	PYHYXR00413	Bottom frame assembly	PYHYXR00413K
			Bottom sash assembly	PYHYXR00313S
23	Concealed Bottom pivot hinge	PYHYXL0049	Bottom frame assembly	PYHYXL0049K
			Bottom sash assembly	PYHYXL0039S
24	Concealed Bottom pivot hinge	PYHYXL00413	Bottom frame assembly	PYHYXL00413K
			Bottom sash assembly	PYHYXL00313S
25	Concealed Upper pivot hinge	PYHYSR0049P	Upper frame assembly	PYHYSR0049KP
			Upper sash assembly	PYHYS003SA
26	Concealed Upper pivot hinge	PYHYSR00413P	Upper frame assembly	PYHYSR00413KP
			Upper sash assembly	PYHYS003SA
27	Concealed Upper pivot hinge	PYHYSL0049P	Upper frame assembly	PYHYSL0049KP
			Upper sash assembly	PYHYS003SA
28	Concealed Upper pivot hinge	PYHYSL00413P	Upper frame assembly	PYHYSL00413KP
			Upper sash assembly	PYHYS003SA
29	Concealed Bottom pivot hinge	PYHYXR0049P	Bottom frame assembly	PYHYXR0049KP
			Bottom sash assembly	PYHYXR0039S
30	Concealed Bottom pivot hinge	PYHYXR00413P	Bottom frame assembly	PYHYXR00413KP
			Bottom sash assembly	PYHYXR00313S
31	Concealed Bottom pivot hinge	PYHYXL0049P	Bottom frame assembly	PYHYXL0049KP
			Bottom sash assembly	PYHYXL0039S
32	Concealed Bottom pivot hinge	PYHYXL00413P	Bottom frame assembly	PYHYXL00413KP
			Bottom sash assembly	PYHYXL00313S
33	Concealed Upper pivot hinge	PYHYSR0059	Upper frame assembly	PYHYSR0059K
			Upper sash assembly	PYHYS003SA
34	Concealed Upper pivot hinge	PYHYSR00513	Upper frame assembly	PYHYSR00513K
			Upper sash assembly	PYHYS003SA
35	Concealed Upper pivot hinge	PYHYSL0059	Upper frame assembly	PYHYSL0059K
			Upper sash assembly	PYHYS003SA
36	Concealed Upper pivot hinge	PYHYSL00513	Upper frame assembly	PYHYSL00513K
			Upper sash assembly	PYHYS003SA

Note: For order quantity less than 1000 sets with standard color, the production time symbol ★★ < 7days, ★ < 10days, none > 15days, The actual production time should be evaluated and the instructions above is for reference only.

Hinge Series



Interpretation of pivot hinge code: PHYXNR0109


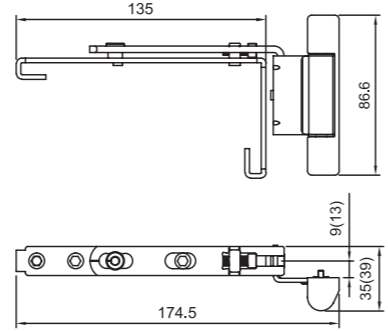
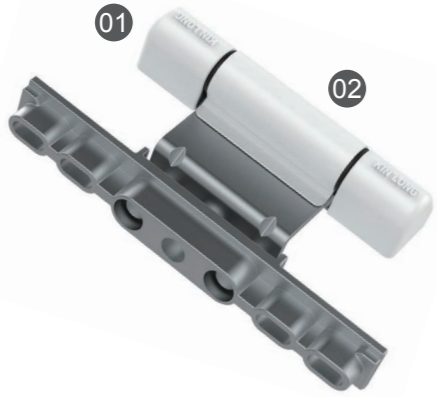
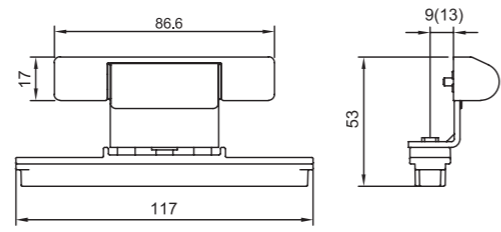
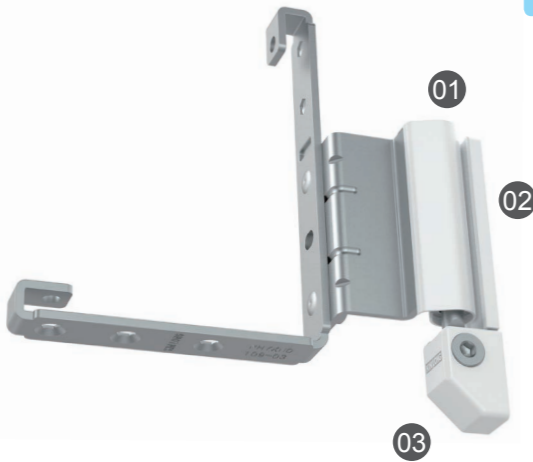
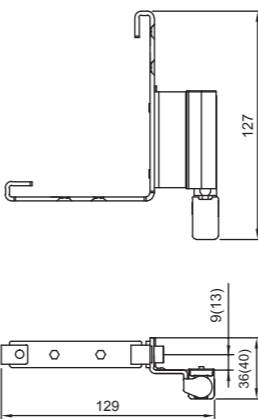
P	Y	HY	X	N	R	003	9	A
U groove door and window	Concealed	Hinge	Bottom	Open-in	Right style	Serial number	9 Series	A Version

Hinge Series

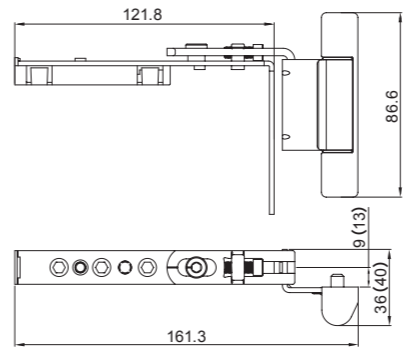

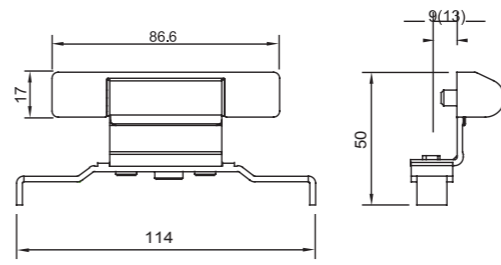
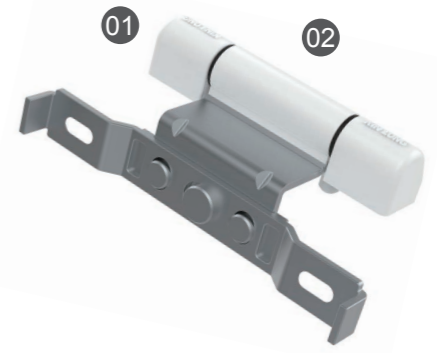
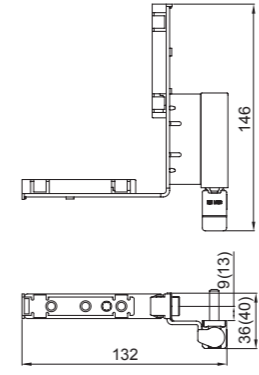
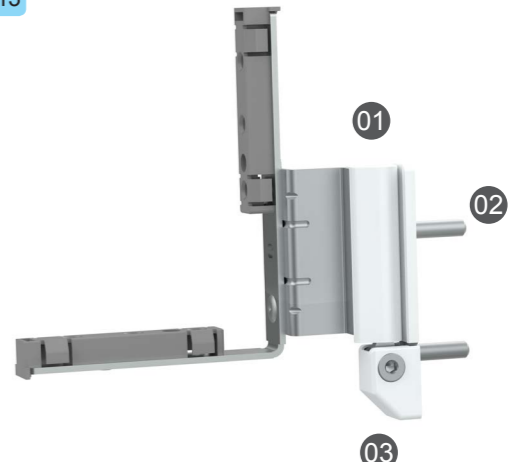
<p>PHYSNR0029 PHYSNR00213</p> <ul style="list-style-type: none"> ◆ Upper corner hinge ◆ Left & Right ◆ Used with bottom hinge ◆ Please indicate the outer cover color while placing order ◆ The standard products can be ordered as a whole set or separately ◆ Outer cover: ① PHYSN002-04、② PHYSN002-03A 	<p>★ Separated</p>
<p>PHYZ00809 PHYZ00813</p> <ul style="list-style-type: none"> ◆ Middle hinge, match with the bottom hinge of 130 kg load-bearing capacity ◆ Please indicate the outer cover color while placing order ◆ Suitable for open-in side hung window(door) ◆ The standard products can be ordered as one whole set or separately ◆ Outer cover: ① PHYSN002-04、② PHYSN002-03A 	<p>★ Separated</p>
<p>PHYXNR0099 PHYXNR00913</p> <ul style="list-style-type: none"> ◆ Bottom pivot hinge ◆ Left&Right ◆ Maximum load-bearing capacity is 130kg (As per maximum load-bearing capacity of 65kg for standard door) ◆ Please indicate the outer cover color while placing order ◆ The standard products can be ordered as one whole set or separately ◆ Outer cover: ① PHYXNR0099-07C、② PHYXN0099-06、③ PHYXN0099-05 	<p>★ Separated</p>

Note: For order quantity less than 1000 sets with standard color, the production time symbol ★★ < 7days, ★ < 10days, none > 15days. The actual production time should be evaluated and the instructions above is for reference only.

Hinge Series


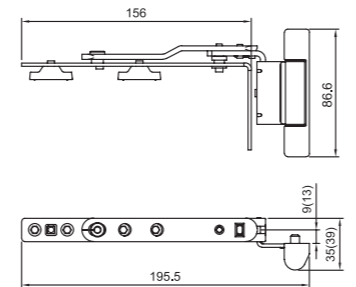
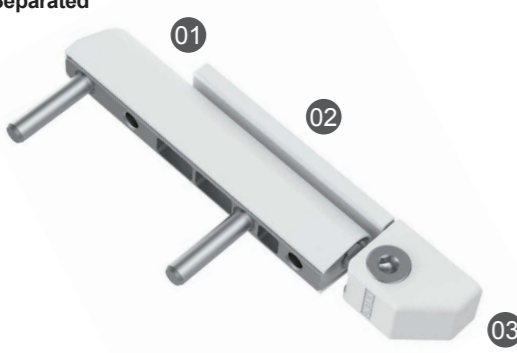
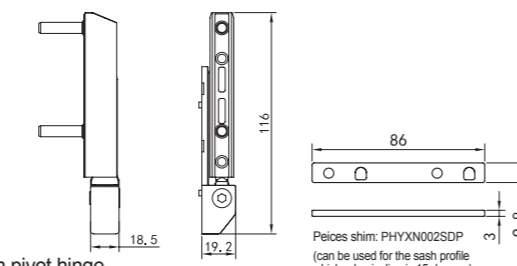
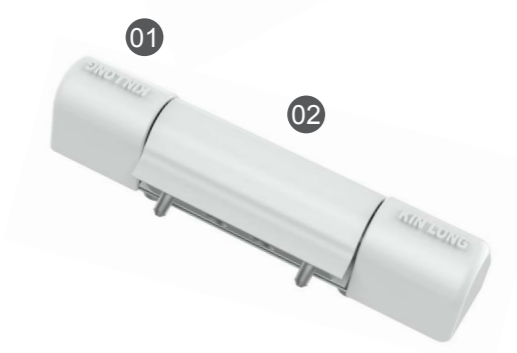
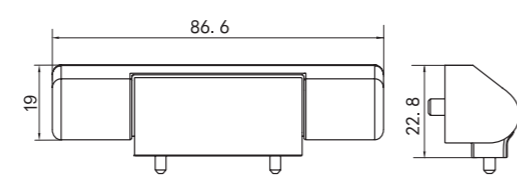
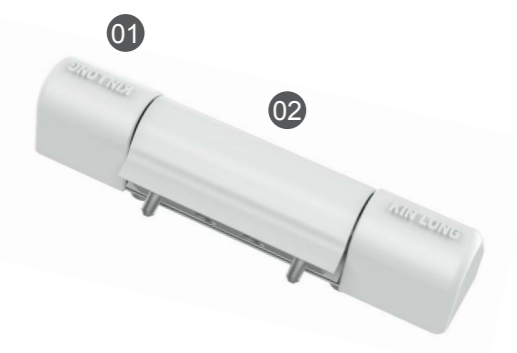
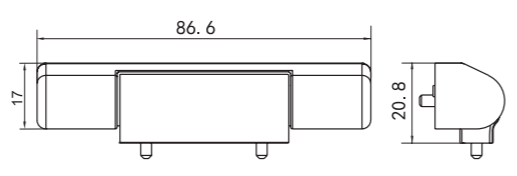
<p>★★ Separated</p> 	<p>PHYSNR0039 PHYSNR00313</p>  <ul style="list-style-type: none"> ◆ Upper corner hinge ◆ Left&Right ◆ Match with bottom pivot hinge ◆ Please indicate the outer cover color while placing order ◆ The standard products can be ordered as one whole set or separately ◆ Outer cover: ① PHYSN003-02、② PHYSN002-03A
<p>★★ Separated</p> 	<p>PHYZ00709 PHYZ00713</p>  <ul style="list-style-type: none"> ◆ Middle hinge, match with the bottom hinge of 90 kg load-bearing capacity ◆ Please indicate the outer cover color while placing order ◆ Suitable for open-in window(door) ◆ The standard products can be ordered as one whole set or separately ◆ Outer cover: ① PHYSN003-02、② PHYSN002-03A
<p>★★ Separated</p> 	<p>PHYXNR0109 PHYXNR01013</p>  <ul style="list-style-type: none"> ◆ Bottom pivot hinge ◆ Left & Right ◆ Maximum bearing capacity is 90KG ◆ Please indicate the outer cover color while placing order ◆ The standard products can be ordered as one whole set or separately ◆ Outer cover: ① PHYXNR0099-07C、② PHYXN0099-06、③ PHYXN0099-05

Hinge Series

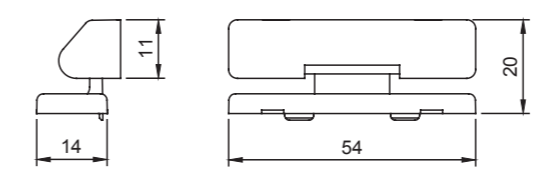

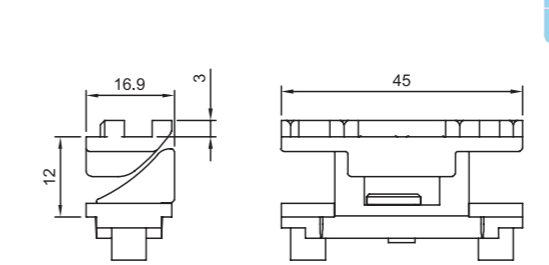
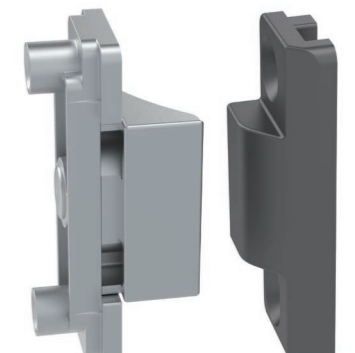
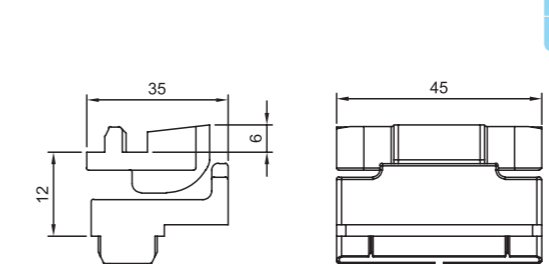
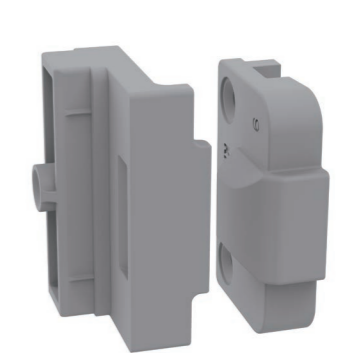
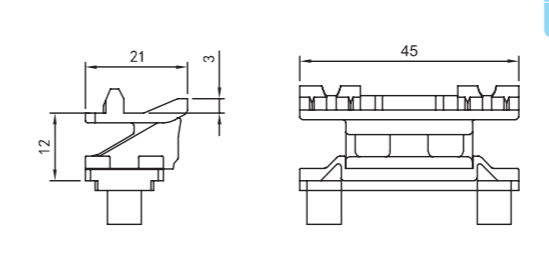

	<p>PHYSNR0069 PHYSNR00613</p>  <ul style="list-style-type: none"> ◆ Upper corner hinge (fire-resistant window) ◆ Left&Right ◆ Match with bottom pivot hinge ◆ Please indicate the outer cover color while placing order ◆ The standard products can be ordered as one whole set or separately ◆ Outer cover: ① PHYSN003-02、② PHYSN002-03A
	<p>PHYZ0109 PHYZ01013</p>  <ul style="list-style-type: none"> ◆ Middle hinge, match with the fire-resistant hinge ◆ Please indicate the outer cover color while placing order ◆ Suitable for open-in side hung window(door) ◆ Outer cover: ① PHYSN003-02、② PHYSN002-03A
	<p>PHYXNR0069 PHYXNR00613</p>  <ul style="list-style-type: none"> ◆ Bottom pivot hinge (fire-resistant window) ◆ Left & Right ◆ Maximum bearing capacity is 90KG ◆ Please indicate the outer cover color while placing order ◆ The standard products can be ordered as one whole set or separately ◆ Outer cover: ① PHYXNR0099-07C、② PHYXN0099-06、③ PHYXN0099-05

Note: For order quantity less than 1000 sets with standard color, the production time symbol ★★ < 7days, ★ < 10days, none > 15days, The actual production time should be evaluated and the instructions above is for reference only.

Hinge Series


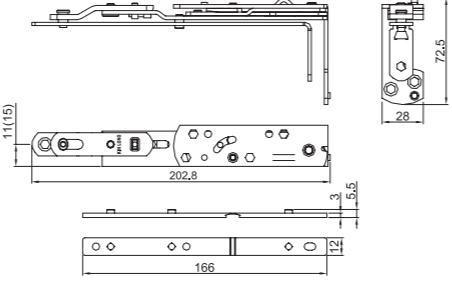

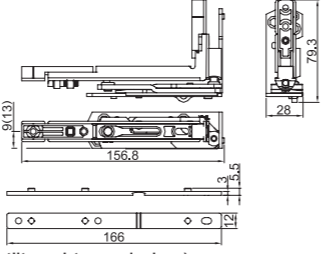

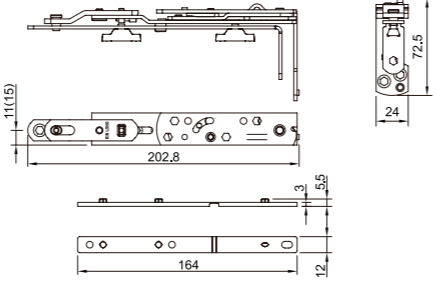

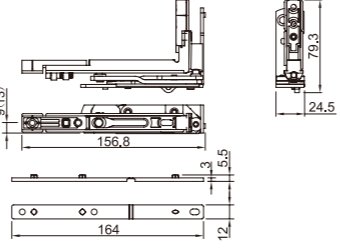
	<p>PHYSNR0049 PHYSNR00413</p>  <ul style="list-style-type: none"> ◆ Upper corner hinge (fire-resistant window) ◆ Left&Right ◆ Match with bottom pivot hinge ◆ Please indicate the outer cover color while placing order ◆ The standard products can be ordered as one whole set or separately ◆ Outer cover: ① PHYSN003-02、② PHYSN002-03A
<p>★ Separated</p> 	<p>PHYXN002</p>  <ul style="list-style-type: none"> ◆ Bottom pivot hinge ◆ Maximum bearing capacity is 90KG ◆ Please indicate the outer cover color while placing order ◆ The standard products can be ordered as one whole set or separately ◆ Outer cover: ① PHYXN002-03、② PHYXN0099-06、③ PHYXN0099-05 <p><small>Peices shim: PHYXN002SDP (can be used for the sash profile which edge incline is 15 degree.)</small></p>
	<p>PHYZ005</p>  <ul style="list-style-type: none"> ◆ Middle hinge ◆ Please indicate the outer cover color while placing order ◆ The standard products can be ordered as one whole set or separately ◆ Outer cover: ① PHYSN002-04、② PHYZ005-02
	<p>PHYZ006</p>  <ul style="list-style-type: none"> ◆ Middle hinge ◆ Please indicate the outer cover color while placing order ◆ The standard products can be ordered as one whole set or separately ◆ Outer cover: ① PHYSN002-04、② PHYZ005-02

Hinge Series


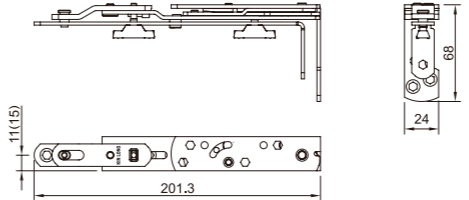

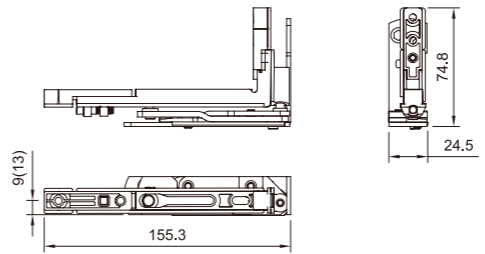

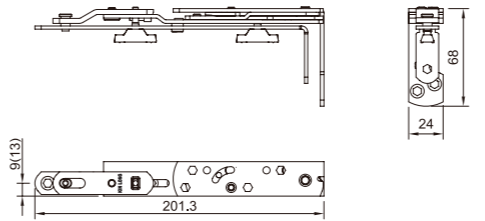
	<p>PZJS001</p>  <ul style="list-style-type: none"> ◆ Mid pivot hinge ◆ Please indicate the color while placing order ◆ Suitable for open-in window (door)
	<p>PYZS0049 PYZS00413</p>  <ul style="list-style-type: none"> ◆ Concealed mid lock ◆ Suitable for open-in window (door), match with the corner hinges
	<p>PYZS0059 PYZS00513</p>  <ul style="list-style-type: none"> ◆ Concealed mid lock ◆ Suitable for open-in window (door), match with the corner hinges
	<p>PYZS0039 PYZS00313</p>  <ul style="list-style-type: none"> ◆ Concealed mid lock ◆ Suitable for open-in window ◆ match with the Concealed hinges

Note: For order quantity less than 1000 sets with standard color, the production time symbol ★★ < 7days, ★ < 10days, none > 15days, The actual production time should be evaluated and the instructions above is for reference only.

Hinge Series

	<p>PYHYSR0039A PYHYSR00313A</p>  <ul style="list-style-type: none"> ◆ Concealed upper pivot hinge, Left & Right ◆ Suitable for open-in side-hung window (Frame installation space \geq 28mm) ◆ Including shim: PYHY003DPA
	<p>PYHYXR0039A PYHYXR00313A</p>  <ul style="list-style-type: none"> ◆ Concealed bottom Pivot hinge, Left&Right ◆ Suitable for open-in window(turn-and-tilt window, tilt-and-turn window) (Frame installation space \geq 28mm) ◆ Matching with concealed upper pivot hinge. maximum load bearing capacity is 90kg. ◆ Including shim: PYHY003DPA ◆ Every 5000 times of repeated opening and closing lubrication maintenance, to ensure the normal service life of products.
	<p>PYHYSR0049 PYHYSR00413</p>  <ul style="list-style-type: none"> ◆ Concealed upper pivot hinge, Left & Right ◆ Suitable for open-in side-hung window (Frame installation space \geq 28mm) ◆ Including shim: PYHY003DPA
	<p>PYHYXR0049 PYHYXR00413</p>  <ul style="list-style-type: none"> ◆ Concealed upper Pivot hinge, Left&Right ◆ Suitable for open-in window, turn-and-tilt window, tilt-and-turn window, (Frame installation space \geq 28mm) ◆ Matching with concealed upper pivot hinge. maximum load bearing capacity is 90kg. ◆ Including shim: PYHY003DPA ◆ Every 5000 times of repeated opening and closing lubrication maintenance, to ensure the normal service life of products.

Hinge Series


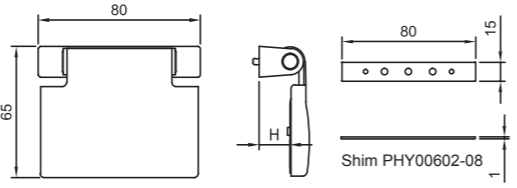
	<p>PYHYSR0049P PYHYSR00413P</p>  <ul style="list-style-type: none"> ◆ Concealed upper pivot hinge, Left & Right, No convex hull ◆ Please indicate the color while placing order ◆ Suitable for open-in window (Frame installation space \geq 28mm)
	<p>PYHYXR0049P PYHYXR00413P</p>  <ul style="list-style-type: none"> ◆ Concealed upper pivot hinge, Left & Right, No convex hull ◆ Please indicate the color while placing order ◆ Suitable for open-in window, turn-and-tilt window, tilt-and-turn window, (Frame installation space \geq 28mm) ◆ Matching with concealed upper pivot hinge. maximum load bearing capacity is 90kg. ◆ Every 5000 times of repeated opening and closing lubrication maintenance, to ensure the normal service life of products.
	<p>PYHYSR0059 PYHYSR00513</p>  <ul style="list-style-type: none"> ◆ Concealed upper pivot hinge, Left & Right, No convex hull ◆ Suitable for open-in wooden window (Frame installation space \geq 28mm)

Note: For order quantity less than 1000 sets with standard color, the production time symbol ★★ < 7days, ★ < 10days, none > 15days, The actual production time should be evaluated and the instructions above is for reference only.

Hinge Series


★★ Separated PHY006/07/08/09

PHY006(H=15)
PHY007(H=15)
PHY008(H=17.5)
PHY009(H=17.5)
PHY024(H=22.5)


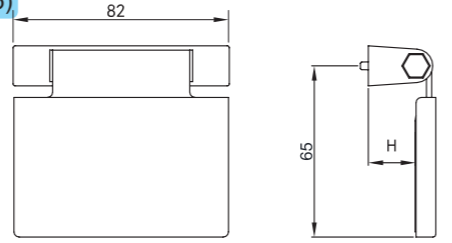
Name/code	Separated name/code	Name/code	Separated name/code
Pivot hinge PHY006	Frame component	PHY006K	Frame component
	Sash component	PHY006S	Sash component
	Hinge cover	PHY006G	Hinge cover
Pivot hinge PHY008	Frame component	PHY008K	Frame component
	Sash component	PHY006S	Sash component
	Hinge cover	PHY006G	Hinge cover

Shim PHY00602-08




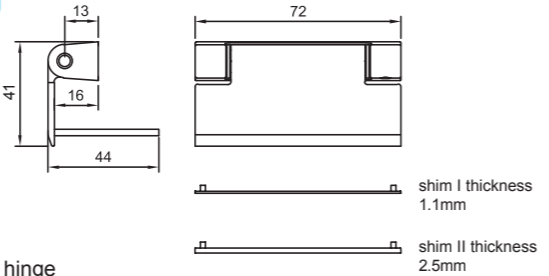
- ◆ Hinge
- ◆ Suitable for open-in window, maximum load bearing capacity is 60kg
- ◆ Hinge of PHY006, PHY008, PHY024 are adjustable for 3mm by left & right
- ◆ Free shims can be available if needed, quantity ≤2 Pcs
- ◆ Hinge of PHY006, PHY007, PHY008, PHY009 must be placed separately, see the chart for details
- ◆ Please indicate the color while placing Hinge cover and Frame component
- ◆ Hinge PHY024 no need to be separate while placing a order, but shall indicate the color
- ◆ Sash component: ① PHY006S, ② PHY007S

PHY010A(H=17.5)
PHY028A(H=19.5)

- ◆ Pivot hinge
- ◆ White only
- ◆ Suitable for open-in window, maximum bearing capacity is 60KG

PHY0139
PHY01313

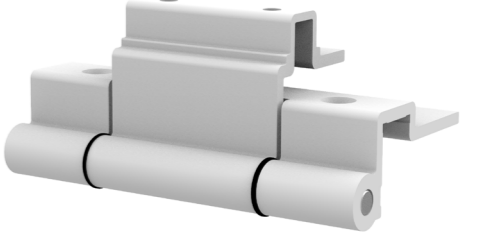
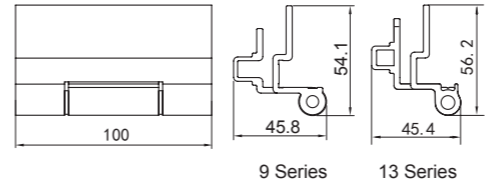



- ◆ Pivot hinge
- ◆ White only
- ◆ Suitable for open-in window, maximum bearing capacity is 50KG
- ◆ Shim included

shim I thickness 1.1mm
shim II thickness 2.5mm


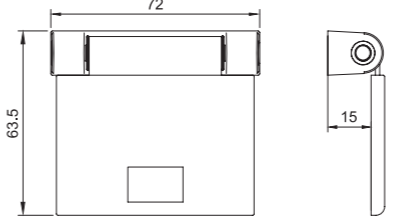
Hinge Series

PHY01709A
PHY01713

- ◆ Pivot hinge (Picture for PHY01709A)
- ◆ Please indicate the color while placing order
- ◆ Suitable for open-in window, maximum bearing capacity is 60KG
- ◆ Applicable drainage tank height ≤6.5mm

PHY022


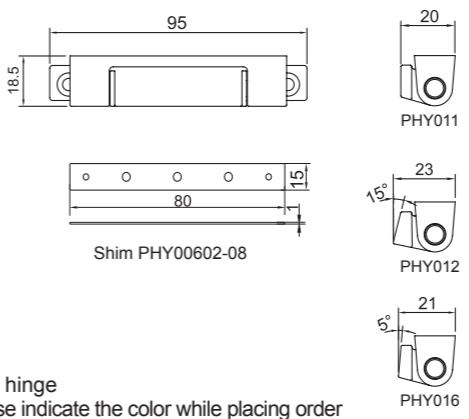



shim I thickness 1.1mm
shim II thickness 2.5mm

- ◆ Pivot hinge
- ◆ White only
- ◆ Suitable for open-in window, maximum bearing capacity is 40KG
- ◆ Shim included

PHY011
PHY012
PHY016

★ PHY011

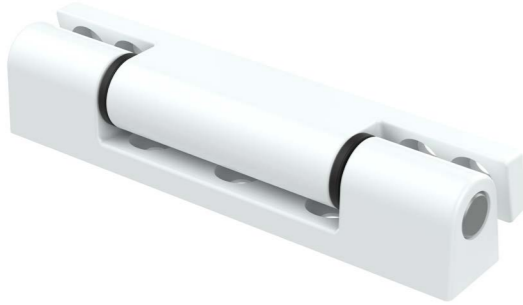
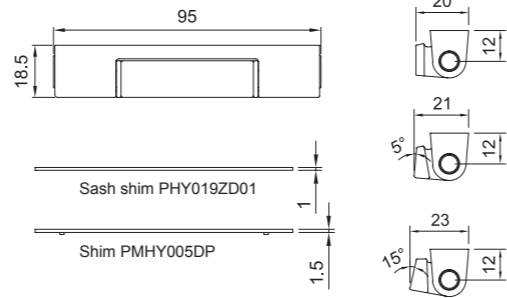
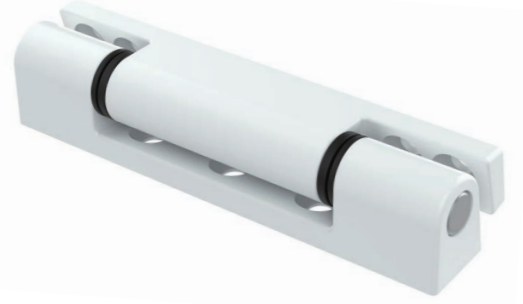
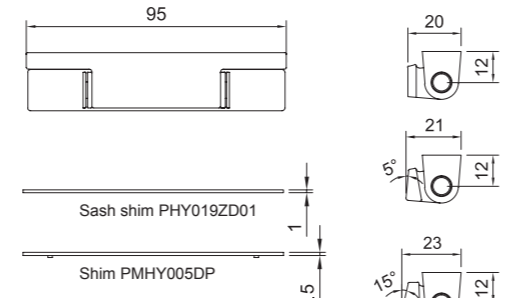

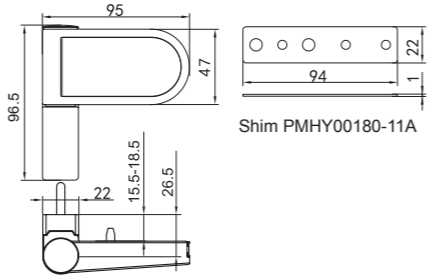



Shim PHY00602-08

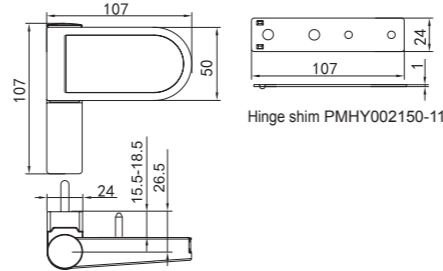

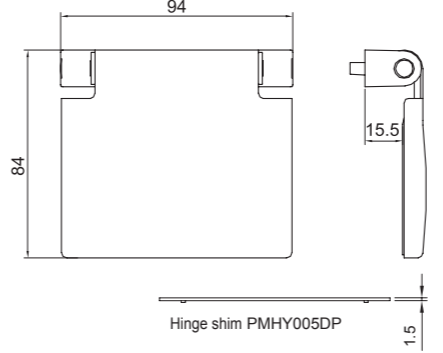

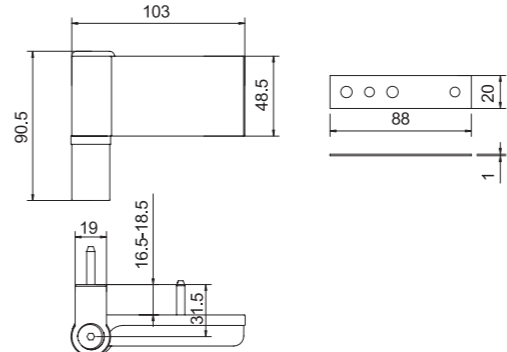

- ◆ Pivot hinge
- ◆ Please indicate the color while placing order
- ◆ Suitable for open-in window, maximum bearing capacity is 40KG
- ◆ Place order as needed for the cushion, quantity ≤2 nos

Note: For order quantity less than 1000 sets with standard color, the production time symbol ★★ < 7days, ★ < 10days, none > 15days, The actual production time should be evaluated and the instructions above is for reference only.

Hinge Series

	<p>PHY020 PHY020/5 PHY020/15</p>  <ul style="list-style-type: none"> ◆ Pivot hinge ◆ Please indicate the color while placing order ◆ Suitable for open-in window, maximum bearing capacity is 40KG ◆ Place order as needed for the cushion, quantity ≤2 nos
	<p>PHY019 PHY019/5 PHY019/15</p>  <ul style="list-style-type: none"> ◆ Pivot hinge ◆ Please indicate the color while placing order ◆ Suitable for open-in window, maximum bearing capacity is 40KG ◆ Place order as needed for the cushion, quantity ≤2 nos
<p>★</p> 	<p>PMHY00180</p>  <ul style="list-style-type: none"> ◆ Pivot hinge ◆ Suitable for side-hung door, maximum bearing capacity is 80KG ◆ Please indicate the color while placing order ◆ Place order as needed for the cushion, quantity ≤2 nos ◆ Default right-style packaging, please indicate if you want left ◆ Hinge front and rear adjustment of the initial size of 17.5mm

Hinge Series

 <p>PMHY002150</p> <ul style="list-style-type: none"> ◆ Pivot hinge ◆ Suitable for side-hung door, maximum bearing capacity is 80KG ◆ Please indicate the color while placing order ◆ Place order as needed for the cushion, quantity ≤2 nos ◆ Default right-style packaging, please indicate if you want left ◆ The initial size of front and back adjustment of hinge is 17.5mm 	
 <p>PMHY005</p> <ul style="list-style-type: none"> ◆ Pivot hinge ◆ Suitable for side-hung door, maximum bearing capacity is 80KG ◆ Please indicate the color while placing order ◆ Place order as needed for the cushion, quantity ≤2 nos 	
 <p>PMHY006120</p> <ul style="list-style-type: none"> ◆ Pivot hinge ◆ Suitable for side-hung door, maximum bearing capacity is 120KG ◆ White only ◆ Place order as needed for the cushion, quantity ≤2 nos ◆ The initial size of front and back adjustment of hinge is 17.5mm 	

Note: For order quantity less than 1000 sets with standard color, the production time symbol ★★ < 7days, ★ < 10days, none > 15days, The actual production time should be evaluated and the instructions above is for reference only.

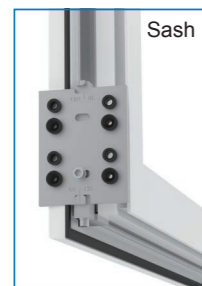
UPVC Door&Window Duplicator Series



Name of the fitting	Series code	Sash border	This duplicator is used to install the following pivot hinge
Duplicator	PKMQ09/I	18、20、22	PHYSN003、PHYXNR/L0109、PHYXNR/L01013、PHYZ006、PHYZ00709/13、PHYXN002 (Frame)



Name of the fitting	Series code	Sash border	This duplicator is used to install the following pivot hinge
Duplicator	PKMQ09/II	18、20、22	PHYSN002、PHYXNR/L0099、PHYXNR/L00913、PHYSN004、PHYXNR/L0069、PHYXNR/L00613、PHYZ00809/13、PHYZ005、PHYZ0109/13



Name of the fitting	Series code	Sash border	This duplicator is used to install the following pivot hinge
Duplicator	PKMQ03A	20	PHYXN002 (Sash)



Name of the fitting	Series code	Sash border	This duplicator is used to install the following pivot hinge
Duplicator	PKMQ04	20	PHY007 PHY009 PHY011(Frame) PHY012(Frame) PHY016(Frame)



Name of the fitting	Series code	Sash border	This duplicator is used to install the following pivot hinge
Duplicator	PKMQ05	20	PHY006 PHY008 PHY024 PHY011(Frame) PHY012(Frame) PHY016(Frame)

UPVC Door&Window Duplicator Series



Name of the fitting	Series code	Sash border	This duplicator is used to install the following pivot hinge
Duplicator	PKMQ12	20	PHY010A PHY028A



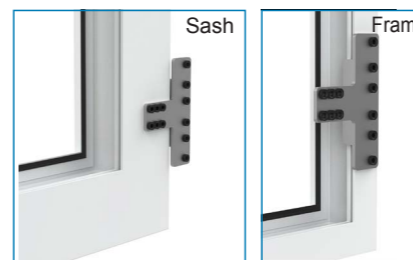
Name of the fitting	Series code	Sash border	This duplicator is used to install the following pivot hinge
Duplicator	PKMQ11	18、20、22	PHYZ005 (Sash)、PHYZ006 (Sash)



Name of the fitting	Series code	Sash border	This duplicator is used to install the following pivot hinge
Duplicator	PKMQ10K	20	PHY011(Frame) PHY012(Frame) PHY016(Frame) PHY019(Frame) PHY020(Frame) PHY020/5(Frame) PHY019/5(Frame) PHY019/15(Frame) PHY020/15(Frame)
	PKMQ10S/I	20	PHY011(Sash) PHY016(Sash) PHY019(Sash) PHY019/5(Sash) PHY020(Sash) PHY020/5(Sash)
	PKMQ10S/II		PHY012(Sash) PHY019/15(Sash) PHY020/15(Sash)



Name of the fitting	Series code	Sash border	This duplicator is used to install the following pivot hinge
Duplicator	PMKMQ04A	20	PMHY00180



Name of the fitting	Series code	Sash border	This duplicator is used to install the following pivot hinge
Duplicator	PMKMQ01	20	PMHY002150

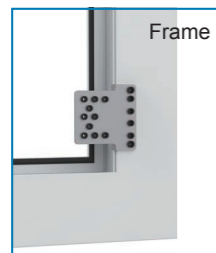
Note: For order quantity less than 1000 sets with standard color, the production time symbol ★★ < 7days, ★ < 10days, none > 15days, The actual production time should be evaluated and the instructions above is for reference only.



Name of the fitting	Series code	Sash border	This duplicator is used to install the following pivot hinge
Duplicator	PMKMQ06	18、20、22	PMHY00180



Name of the fitting	Series code	Sash border	This duplicator is used to install the following pivot hinge
Duplicator	PMKMQ07	18、20、22	PMHY002150



Name of the fitting	Series code	Sash border	This duplicator is used to install the following pivot hinge
Duplicator	PMKMQ08	20	PMHY005



Name of the fitting	Series code	Sash border	This duplicator is used to install the following pivot hinge
Duplicator	PMKMQ09	20	PMHY006120


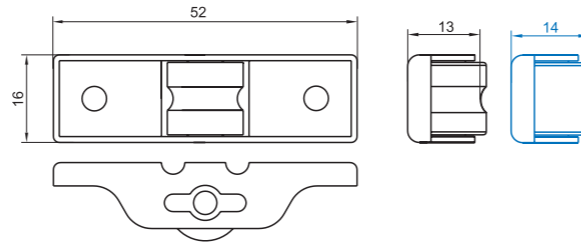
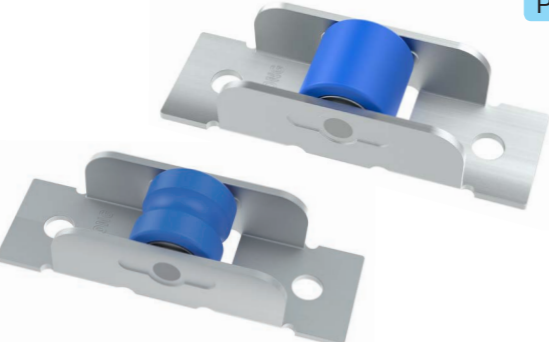
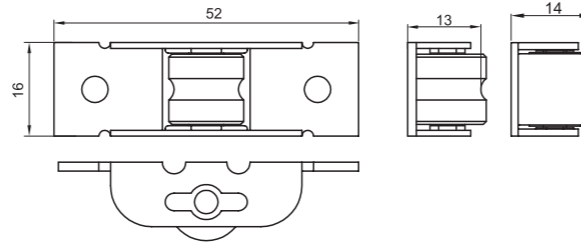

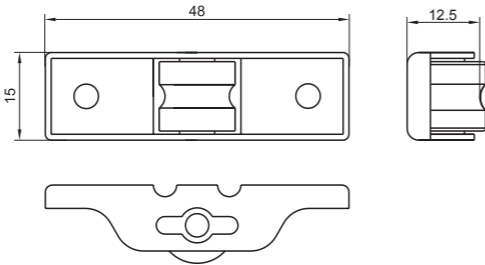

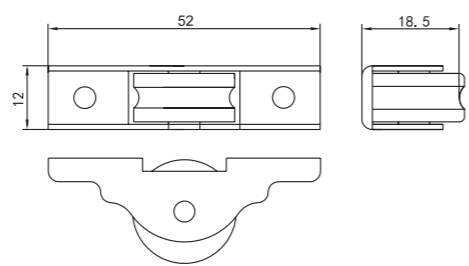
Sliding Series



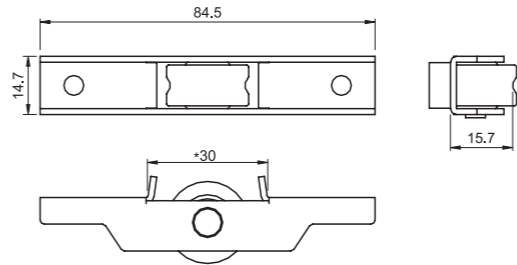
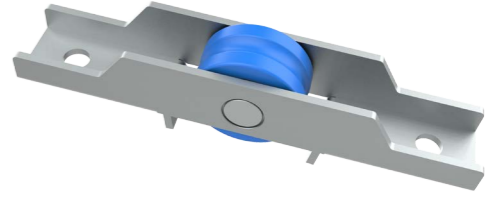
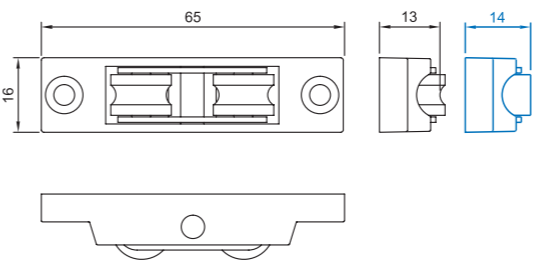

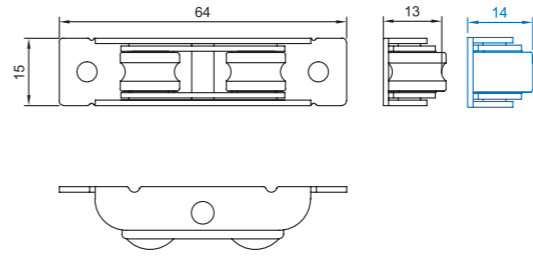
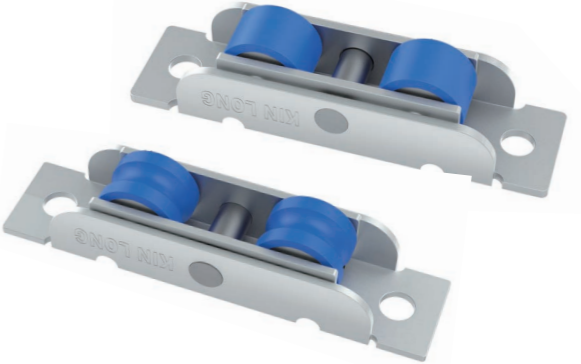
Interpretation of manual lock code: PSDSS007

P / SD / S / S / 007
 U groove door and window / Manual / Lock / Double-side / Series code

Sliding Series


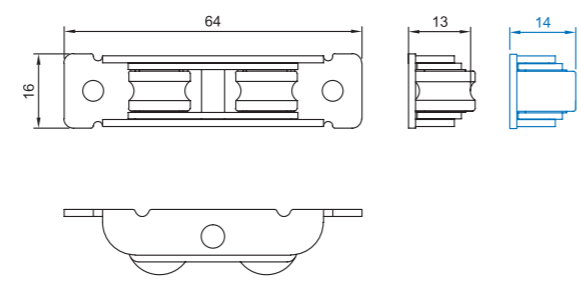

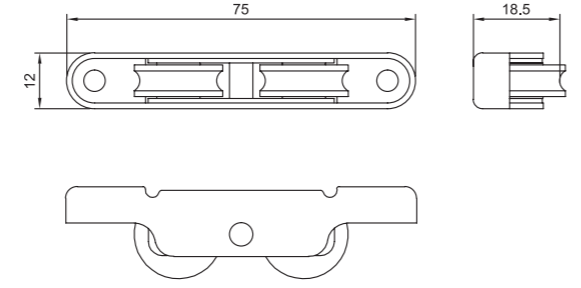

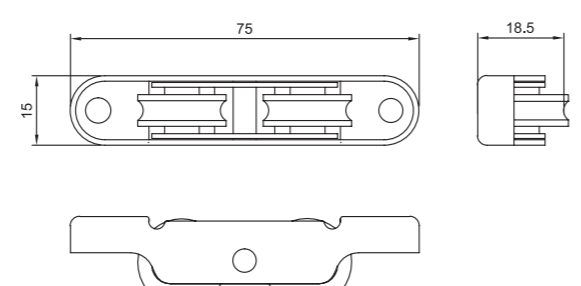
<p>★★</p> 	<p>PDHRC001 PDHRP001</p>  <ul style="list-style-type: none"> ◆ 88 Single grooved roller / flat roller ◆ Used for window, maximum load bearing capacity is 40kg/2pcs
<p>★</p> 	<p>PDHRC001A PDHRP001A</p>  <ul style="list-style-type: none"> ◆ 88 Single grooved roller / flat roller ◆ Used for window, maximum load bearing capacity is 40kg/2pcs
	<p>PDHRC002</p>  <ul style="list-style-type: none"> ◆ 15 Single grooved roller ◆ Used for window, maximum load bearing capacity is 40kg/2pcs
	<p>PDHRC004</p>  <ul style="list-style-type: none"> ◆ 15 Single grooved roller ◆ Used for window, maximum load bearing capacity is 40kg/2pcs

Sliding Series

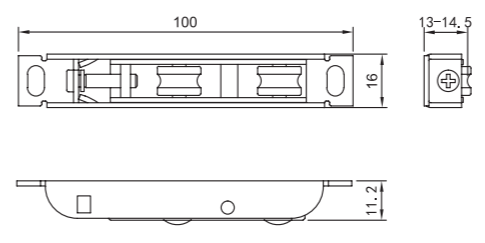
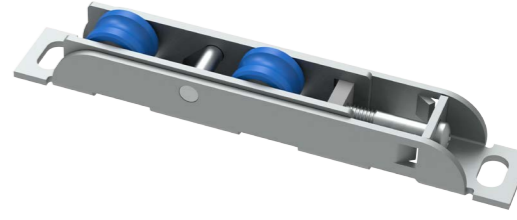
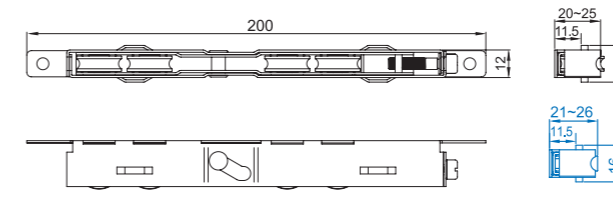

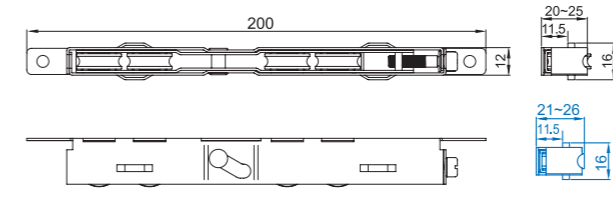
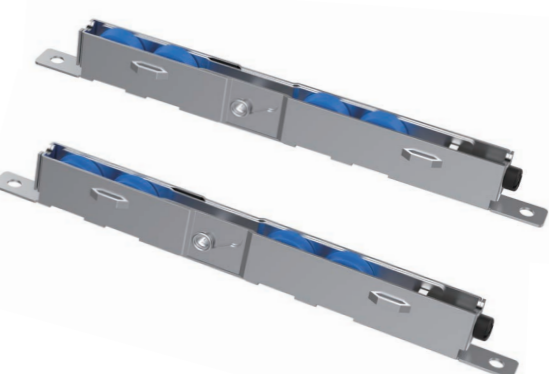
	<p>PDHRC006</p>  <p>NEW</p> <ul style="list-style-type: none"> ◆ Roller ◆ Used for window, maximum load bearing capacity is 60kg/2pcs ◆ The profile must be milled when installed, with * represents the reference size on the milling profile
	<p>PSCLC001 PSCLP001</p>  <ul style="list-style-type: none"> ◆ 16 Adjustable double roller ◆ Used for window, maximum load bearing capacity is 60kg/2pcs
	<p>PSHRC002 PSHRP002</p>  <ul style="list-style-type: none"> ◆ 1470 Double grooved roller / flat roller ◆ Used for window, maximum load bearing capacity is 60kg/2pcs

Note: For order quantity less than 1000 sets with standard color, the Production Time Symbol ★★ < 7days, ★ < 10days, none > 15days, The actual production time should be evaluated and the instructions above is for reference only.

Sliding Series


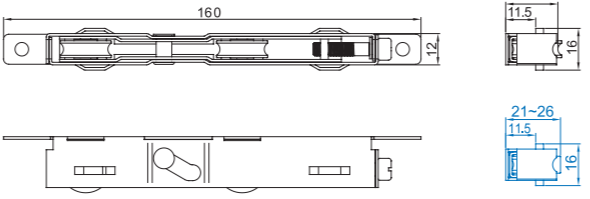

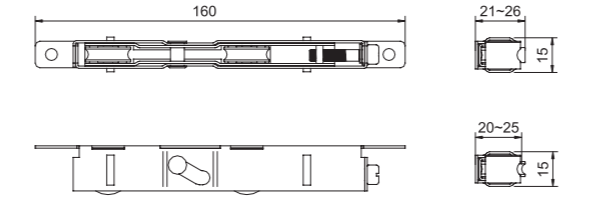
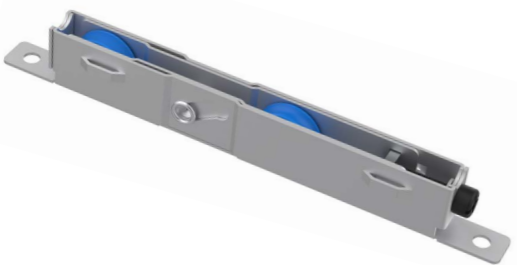
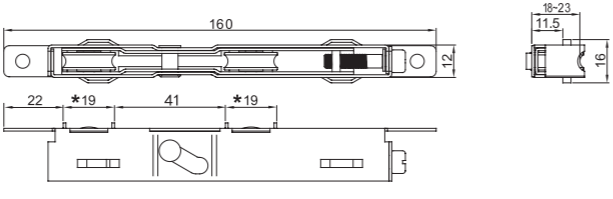
<p>★★</p> 	<p>PSHRC001 PSHRP001</p>  <ul style="list-style-type: none"> ◆ 1670 Double grooved roller / flat roller ◆ Used for window, maximum load bearing capacity is 60kg/2pcs
	<p>PSHRC004A</p>  <ul style="list-style-type: none"> ◆ 12 Adjustable double roller ◆ Used for window (Light duty door), maximum load bearing capacity is 60kg/2pcs
	<p>PSHRC003</p>  <ul style="list-style-type: none"> ◆ 15 Adjustable double roller ◆ Used for window (Light duty door), maximum load bearing capacity is 60kg/2pcs

Sliding Series

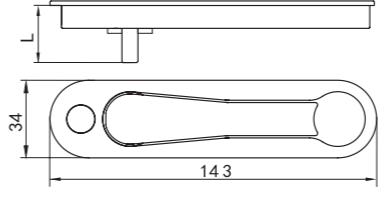

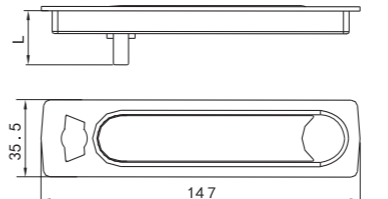

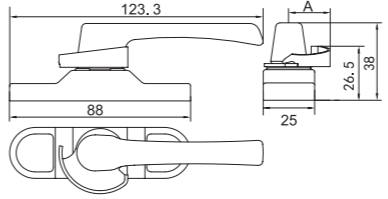

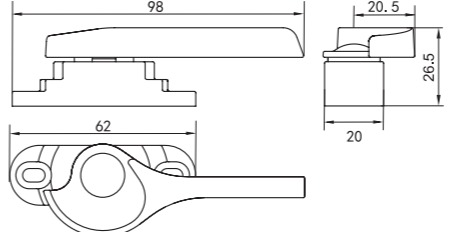

	<p>★</p> <p>PTHRC003</p>  <ul style="list-style-type: none"> ◆ 16 Adjustable door roller ◆ Used for window, maximum load bearing capacity is 60kg/2pcs
	<p>PTMLC003120K12 PTMLP003120K12</p>  <ul style="list-style-type: none"> ◆ 12 Adjustable door roller, grooved roller / flat roller ◆ Used for door, maximum load bearing capacity is 120kg/2pcs
	<p>PTMLP003160K12 PTMLC003160K12</p>  <ul style="list-style-type: none"> ◆ 12 Adjustable door roller, grooved roller / flat roller ◆ Used for door, maximum load bearing capacity is 160kg/2pcs

Note: For order quantity less than 1000 sets with standard color, the production time symbol ★★ < 7days, ★ < 10days, none > 15days, The actual production time should be evaluated and the instructions above is for reference only.

Sliding Series


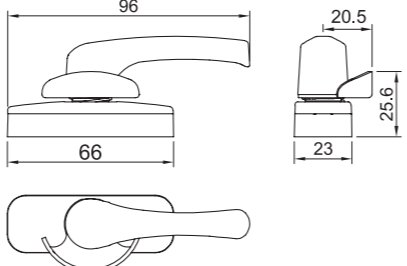

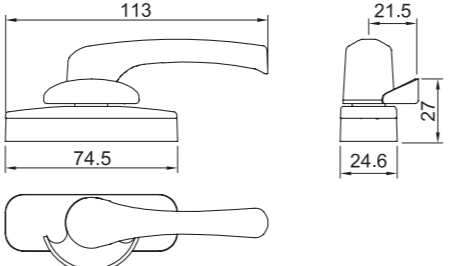

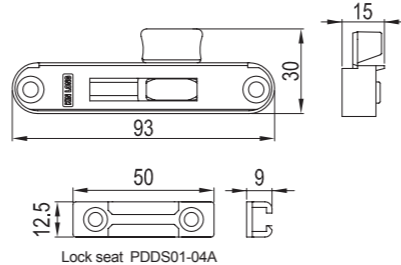

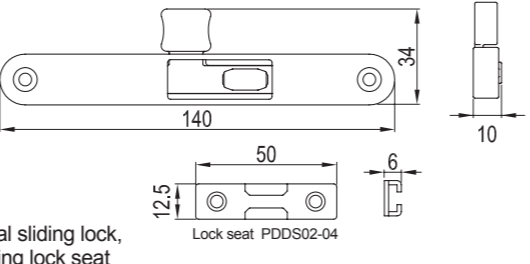

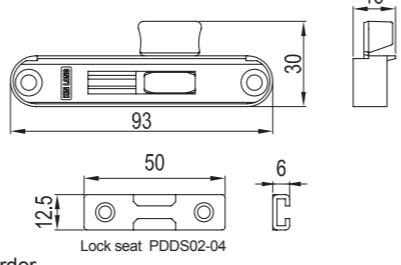
	<p>PTMLP00490K12 PTMLC00490K12</p>  <ul style="list-style-type: none"> ◆ 12 Adjustable door roller, grooved roller / flat roller ◆ Used for door, maximum load bearing capacity is 90kg/2pcs
<p>NEW</p> 	<p>PTMLP00490K15 PTMLC00490K15</p>  <ul style="list-style-type: none"> ◆ 15 Adjustable door roller, grooved roller / flat roller ◆ Used for door, maximum load bearing capacity is 90kg/2pcs
	<p>PTMLC00590K12</p>  <ul style="list-style-type: none"> ◆ 12 Adjustable door roller, grooved roller ◆ Used for door, maximum load bearing capacity is 90kg/2pcs ◆ The profile must be milled when installed, with * represents the reference size on the milling profile

Sliding Series

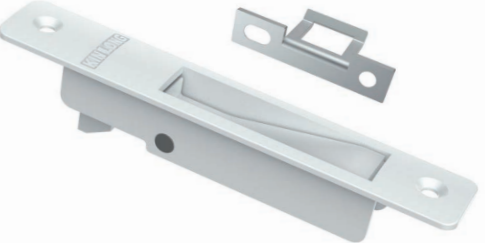
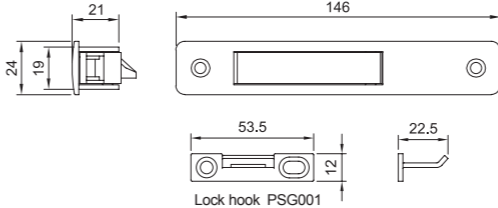

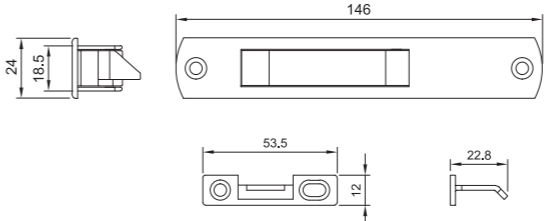

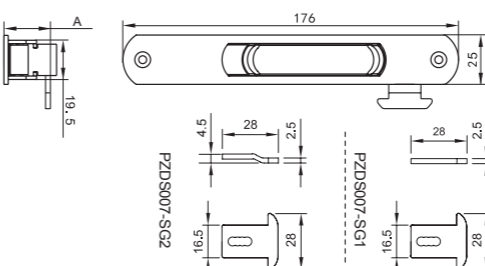

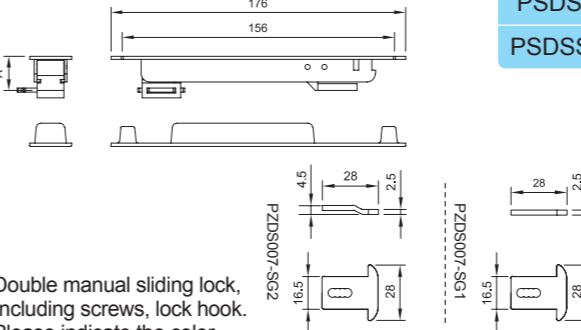
 <p>PZSY001</p> <ul style="list-style-type: none"> ◆ Concealed knob ◆ Spindle specification: 7x7 mm L=25.30.35.40.45 ◆ Please indicate the color while placing order. 	
 <p>PZSY003</p> <ul style="list-style-type: none"> ◆ Concealed knob ◆ Spindle specification: 7x7 mm L=25.30.35.40.45 ◆ Please indicate the color while placing order. 	
 <p>PYSL001/I(A=20) PYSL001/II(A=26.5)</p> <ul style="list-style-type: none"> ◆ Crescent lock ◆ Left & Right, this picture is right type ◆ Please indicate the color while placing order 	 <p>★★</p>
 <p>PYSL003</p> <ul style="list-style-type: none"> ◆ Crescent lock ◆ Left & Right, this picture is left type ◆ Please indicate the color while placing order 	 <p>★</p>

Note: For order quantity less than 1000 sets with standard color, the production time symbol ★★ < 7days, ★ < 10days, none > 15days, The actual production time should be evaluated and the instructions above is for reference only.

Sliding Series


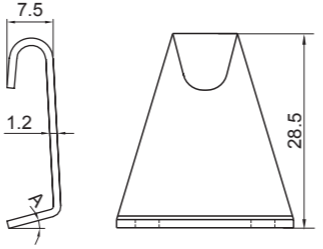

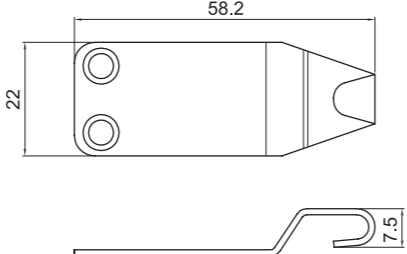

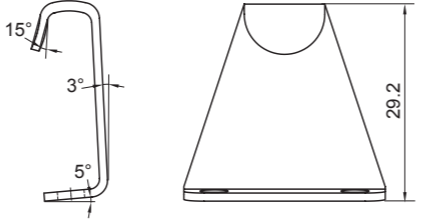
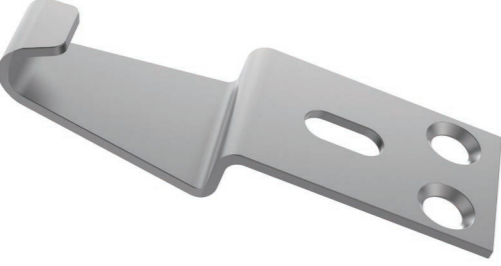
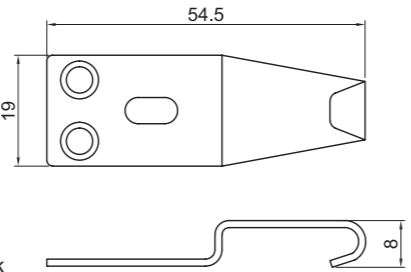

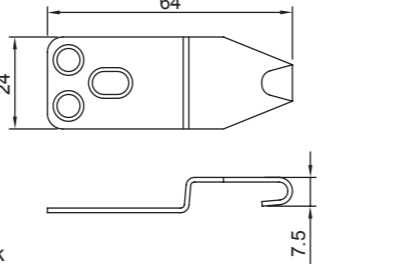
	<p>PYSL004</p>  <ul style="list-style-type: none"> ◆ Crescent lock ◆ White only ◆ Left & Right, this picture is left type
	<p>PYSL004/I</p>  <ul style="list-style-type: none"> ◆ Crescent lock ◆ White only ◆ Left & Right, this picture is left type
	<p>PDDS01A</p>  <ul style="list-style-type: none"> ◆ Manual sliding lock, including lock seat ◆ Please indicate the color while placing order ◆ The gap between sash and frame is 18mm <p>Lock seat PDDS01-04A</p>
	<p>PDDS02</p>  <ul style="list-style-type: none"> ◆ Manual sliding lock, including lock seat ◆ The gap between sash and frame is 12mm <p>Lock seat PDDS02-04</p>
	<p>PDDS03A</p>  <ul style="list-style-type: none"> ◆ Manual sliding lock, including lock seat ◆ Please indicate the color while placing order ◆ The gap between sash and frame is 14mm <p>Lock seat PDDS02-04</p>

Sliding Series

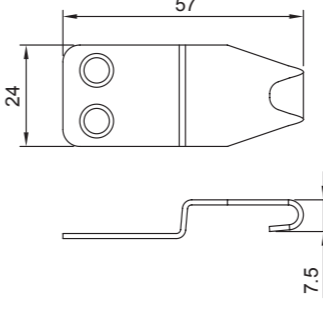

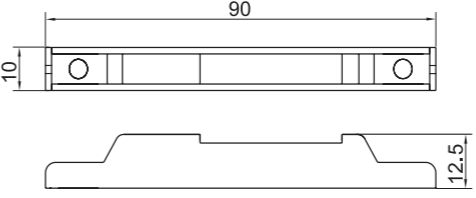
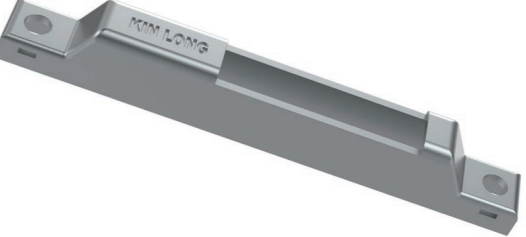
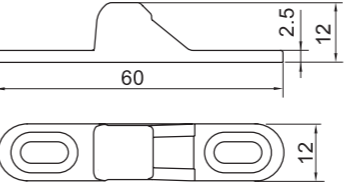
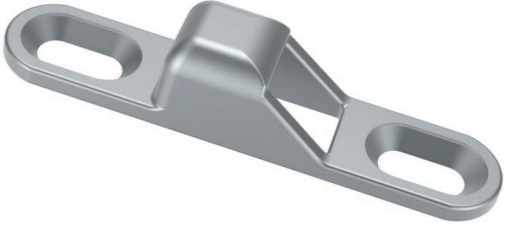
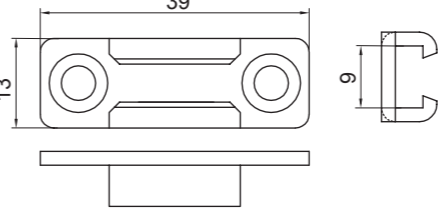
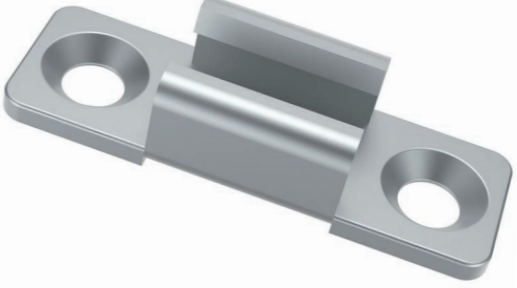
	<p>PZDSL002</p>  <ul style="list-style-type: none"> ◆ Automatic sliding lock (Left & Right) ◆ Please indicate the color while placing order ◆ Including lock hook <p>Lock hook PSG001</p>
	<p>PZDSL005</p>  <ul style="list-style-type: none"> ◆ Automatic sliding lock (Left & Right) ◆ White only ◆ Please indicate the color while placing order ◆ Including lock hook <p>Lock hook PZDS006-05</p>
	<p>PSDS007(A=20) PSDS007/I(A=27)</p>  <ul style="list-style-type: none"> ◆ Manual lock, Including lock hook ◆ Please indicate the color while placing order ◆ Excluding lock PZDS007-SG1/PZDS007-SG2
	<p>PSDSS007(A=20) PSDSS007/I(A=27)</p>  <ul style="list-style-type: none"> ◆ Double manual sliding lock, Including screws, lock hook. ◆ Please indicate the color while placing order. ◆ Excluding screws, lock PZDS007-SG1/PZDS007-SG2

Note: For order quantity less than 1000 sets with standard color, the production time symbol ★★ < 7days, ★ < 10days, none > 15days. The actual production time should be evaluated and the instructions above is for reference only.

Sliding Series


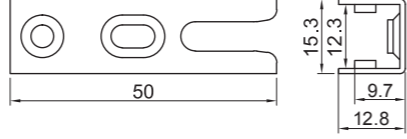
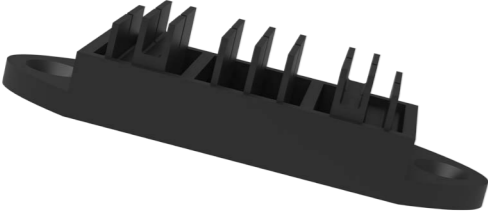
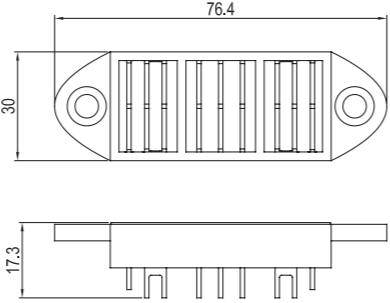

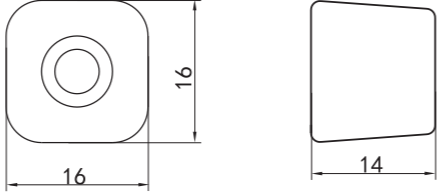

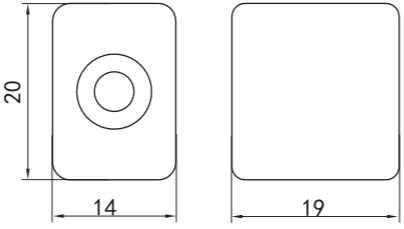
	<p>PSG003(A=0°) PSH003/5(A=5°) PSG003/15(A=15°)</p>  <p>◆ Lock hook</p>
<p>★</p> 	<p>PSG005A</p>  <p>◆ Lock hook</p>
	<p>PSG006</p>  <p>◆ Lock hook</p>
	<p>PSG007</p>  <p>◆ Lock hook</p>
<p>★★</p> 	<p>PSG008</p>  <p>◆ Lock hook</p>

Sliding Series

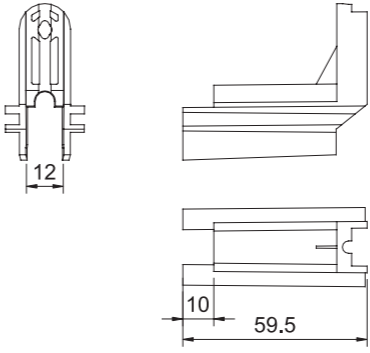

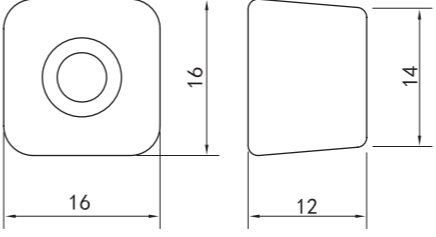

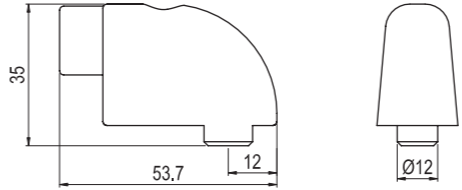

 <p>◆ Lock hook</p>	<p>PSG009</p>  <p>★★</p>
 <p>◆ Locking plate</p>	<p>PSK006</p> 
 <p>◆ Lock seat</p>	<p>PSK008</p>  <p>★</p>
 <p>◆ Locking plate</p>	<p>PSK103</p>  <p>★</p>

Note: For order quantity less than 1000 sets with standard color, the production time symbol ★★ < 7days, ★ < 10days, none > 15days. The actual production time should be evaluated and the instructions above is for reference only.

Sliding Series

	<p>PSK107</p>  <p>◆ Lock seat</p>
<p>★</p> 	<p>PFDK002</p>  <p>◆ Anti-theft piece</p>
<p>★★</p> 	<p>PFZK001</p>  <p>◆ Anti-strike block</p>
	<p>PFZK002</p>  <p>◆ Anti-strike block</p>

Sliding Series

 <p>◆ Anti-strike block</p>	<p>PFZK003</p>  <p>★</p>
 <p>◆ Anti-strike block</p>	<p>PFZK004</p>  <p>★</p>
 <p>◆ Anti-strike block</p>	<p>PFZK005</p> 

Note: For order quantity less than 1000 sets with standard color, the production time symbol ★★ < 7days, ★ < 10days, none > 15days. The actual production time should be evaluated and the instructions above is for reference only.

Solution for Heavy-Duty Bearing Capacity Hardware System

160kg Roller

- ◆ Suitable for UPVC sliding door system;
- ◆ Maximum load bearing capacity is 160kg, suitable for the bigger specifications' sliding door hardware system;
- ◆ Both flat wheel and grooved wheel have adjustable function, suitable for more kinds of profile.



Corner Device, Connecting Rod, Linking Rod and Transmitter Series


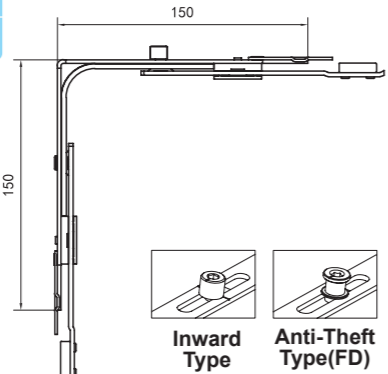
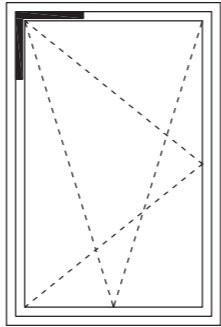

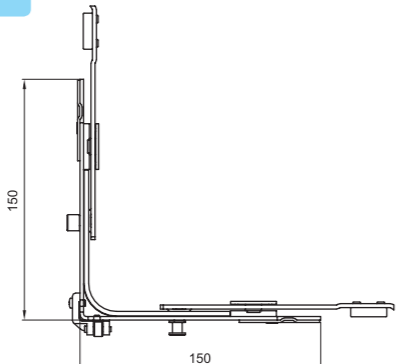
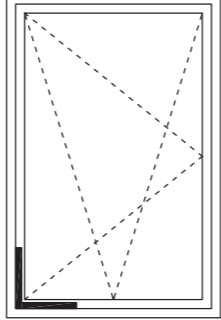

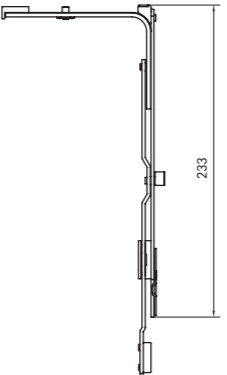
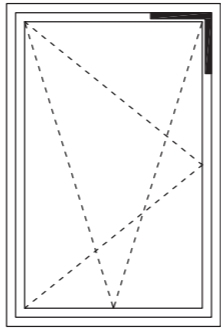

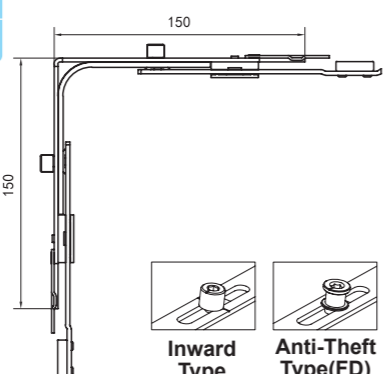
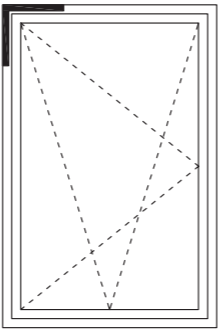


Interpretation of rod and transmitter series:

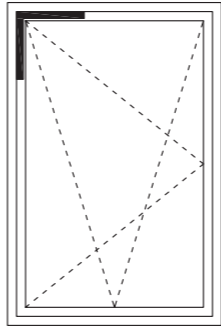
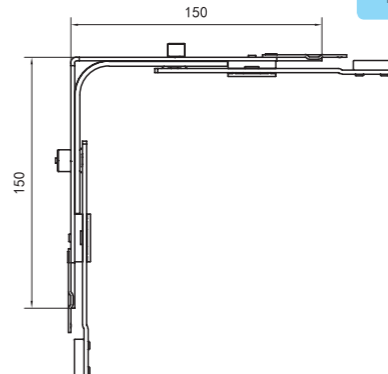

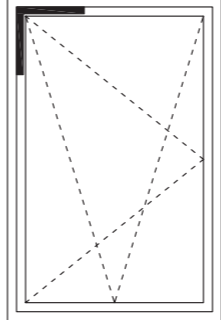
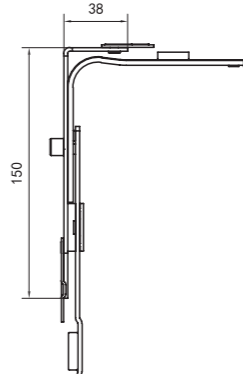

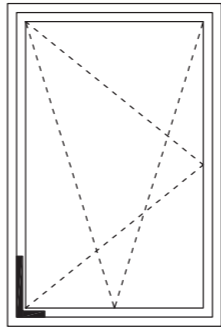
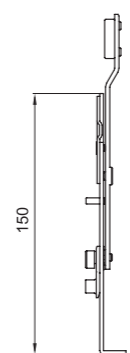

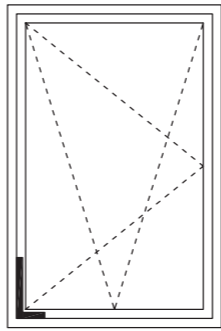
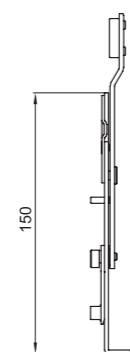

PCDQN47507-09

P	CDQ	N	4	75	07-09
U groove door and window	Transmitter	Open-in	Serial number	Central distance	Applicable range 701-900mm

Corner Device Series

<p>★★ PZJQ201</p>  <p>◆ Corner device</p>	<p>PZJQ201 PZJQFD201</p> 	
<p>★★</p>  <p>◆ Corner device ◆ For tilt & turn / turn & tilt windows</p>	<p>PZJQ202</p> 	
<p>★</p>  <p>◆ Corner device</p>	<p>PZJQ203</p> 	
<p>◆ Corner device</p> 	<p>PZJQ204 PZJQFD204</p> 	

Corner Device & Overturn supporter Series

	<p>PZJQ205</p> 	 <p>◆ Corner device ◆ Child safety</p>
	<p>PZJQ006</p> 	 <p>◆ Corner device</p>
	<p>PFZZCN001A</p> 	 <p>◆ Overturn supporter ◆ For open in top hung window</p>
	<p>PFZZCX001A</p> 	 <p>◆ Overturn supporter ◆ For open in top hung window</p>

Note: For order quantity less than 1000 sets with standard color, the production time symbol ★★ < 7days, ★ < 10days, none > 15days, The actual production time should be evaluated and the instructions above is for reference only.

Connecting Rod / Linking Rod Series

Concealed Pull Rod (Turn-and-Tilt Window Series)

- ◆Left&Right (The frame base width 28mm)
- ◆Including shim PYHY003DPA
- ◆The minimum width of the sash can be 410mm if choose the corner device PZJQ006

Applicable width	Profile serie	Series code	Applicable width	Profile serie	Series code
520-720	9 series	PYLGXNR00905-07A	520-720	13 series	PYLGXNR01305-07A

Connecting Rod (Tilt-and-Turn Window Series)

- ◆Left&Right (The frame base width 28mm)
- ◆Including shim PYHY003DPA
- ◆The minimum width of the sash can be 410mm if choose the corner device PZJQ006

Applicable width	Profile serie	Series code	Applicable width	Profile serie	Series code
520-720	9 series	PYLGXNR00905-07A	520-720	13 series	PYLGXNR01305-07A

Concealed Pull Rod (Turn-and-Tilt Window Series)

- ◆Left&Right (The frame base width 28mm)
- ◆Including shim PYHY003DPA
- ◆The minimum width of the sash can be 410mm if choose the corner device PZJQ006

Applicable width	Profile serie	Series code	Applicable width	Profile serie	Series code
520-720	9 series	PYLGXNR004905-07	520-720	13 series	PYLGXNR0041305-07

Connecting Rod (Tilt-and-Turn Window Series)

- ◆Left&Right (The frame base width 28mm)
- ◆Including shim PYHY003DPA
- ◆The minimum width of the sash can be 410mm if choose the corner device PZJQ006

Applicable width	Profile serie	Series code	Applicable width	Profile serie	Series code
520-720	9 series	PYLGXNR004905-07	520-720	13 series	PYLGXNR0041305-07

Connecting Rod / Linking Rod Series

Concealed Pull Rod (Turn-and-Tilt Window Series)

- ◆Left&Right (The frame base width 24mm, without convex)
- ◆The minimum width of the sash can be 410mm if choose the corner device PZJQ006
- ◆Suitable for wood window profile

Applicable width	Profile serie	Series code	Applicable width	Profile serie	Series code
520-720	9 series	PYLGXNR004905-07P	520-720	13 series	PYLGXNR0041305-07P

Connecting Rod (Tilt-and-Turn Window Series)

- ◆Left&Right (The frame base width 24mm, without convex)
- ◆The minimum width of the sash can be 410mm if choose the corner device PZJQ006
- ◆Suitable for wood window profile

Applicable width	Profile serie	Series code	Applicable width	Profile serie	Series code
520-720	9 series	PYLGXNR004905-07P	520-720	13 series	PYLGXNR0041305-07P

Concealed Pull Rod (Turn-and-Tilt Window Series)

- ◆Left&Right (The frame base width 24mm, without convex)
- ◆The minimum width of the sash can be 410mm if choose the corner device PZJQ006
- ◆Suitable for wood window profile

Applicable width	Profile serie	Series code	Applicable width	Profile serie	Series code
520-720	9 series	PYLGXNR005905-07	520-720	13 series	PYLGXNR0051305-07


Connecting Rod (Tilt-and-Turn Window Series)


- ◆Left&Right (The frame base width 24mm, without convex)
- ◆The minimum width of the sash can be 410mm if choose the corner device PZJQ006
- ◆Suitable for wood window profile


Applicable width	Profile serie	Series code	Applicable width	Profile serie	Series code
520-720	9 series	PYLGXNR005905-07	520-720	13 series	PYLGXNR0051305-07

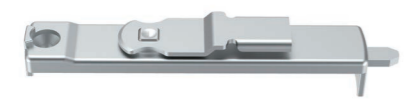

Note: For order quantity less than 1000 sets with standard color, the production time symbol ★★ < 7days, ★ < 10days, none > 15days, The actual production time should be evaluated and the instructions above is for reference only.

Connecting Rod / Linking Rod / Socket Series


Connecting Rod(Turn-and-Tilt Window Series)					
<ul style="list-style-type: none"> ◆Left&Right ◆Connector rod not include outer cover PHYSN002-03A, outer cover should be placed separate order ◆The minimum width of the sash can be 320mm if choose the corner device PZJQ006 					
Applicable width	Profile serie	Series code	Applicable width	Profile serie	Series code
430 - 600	9 series	★★ PLGNXR10904-06	430 - 600	13 series	★ PLGNXR11304-06
601 - 800	9 series	★ PLGNXR10906-08	601 - 800	13 series	★ PLGNXR11306-08
801 - 1000	9 series	PLGNXR10908-10	801 - 1000	13 series	PLGNXR11308-10


Connecting Rod(Tilt-and-Turn Window Series)					
<ul style="list-style-type: none"> ◆Left&Right ◆Connector rod not include outer cover PHYSN002-03A, outer cover should be placed separate order ◆The minimum width of the sash can be 320mm if choose the corner device PZJQ006 					
Applicable width	Profile serie	Series code	Applicable width	Profile serie	Series code
430 - 600	9 series	PLGXNR10904-06	430 - 600	13 series	PLGXNR11304-06
601 - 800	9 series	PLGXNR10906-08	601 - 800	13 series	PLGXNR11306-08
801 - 1000	9 series	PLGXNR10908-10	801 - 1000	13 series	PLGXNR11308-10


Linking Rod			
			
Applicable height	Length of rod	Quantity of locking point	Series code
1200 -1500	400	1	★ PLJG012-15B
1500 - 1800	550	1	PLJG015-18B

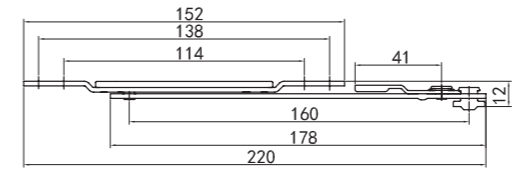

Socket	PCX001	Socket	PCXGN012
			

Linking rod / Side-transmitter rod / Socket rod / Tilt-In device

Linking rod	PLJGN012-23B		
			
Applicable height	Length of rod	Quantity of locking point	
1200 -2300	200	0	

Side Transmission Rod			
			
Applicable height	Length of rod	Quantity of locking point	Series code
Selective	398	1	PBCDG004
Selective	498	1	★★ PBCDG005
Selective	598	1	★ PBCDG006
Selective	798	2	★ PBCDG008

Socket Rod(Double-leaf window with fake mullion)		
		
Applicable height	Length of rod	Series code
1200 -1500	1095	PCXGN012-15A
1500-1900	1495	PCXGN015-19A
1900-2300	1895	PCXGN019-23A

PNDQ001	
	
<ul style="list-style-type: none"> ◆ Tilt-In device ◆ Suitable for bottom hung windows 	

Transmitter Series

Backset is 7.5mm

★ Anti-misoperation Device PFWQR001

Inward Type Anti-Theft Type(FD)

Transmitter not include Anti-misoperation device, anti-misoperation device needs to be ordered separately and has left and right type.

Applicable height	Length of rod	Quantity of locking point	Series code		Remarks
			Inward type	Anti-theft type	
570-730	424	0	PCDQN47505-07A	---	Multi-sides transmitter suitable for open-in windows
700-900	596	1	PCDQN47507-09	PCDQFD47507-09	
901-1200	896	1	★★ PCDQN47509-12	PCDQFD47509-12	
1201-1450	1145	1	PCDQN47512-14	PCDQFD47512-14	
1201-1600	1296	1	PCDQN47512-16	PCDQFD47512-16	

Transmitter Series

Backset is 7.5mm

Micro-ventilation device PCDQAF475K09/13

Inward Type

Transmitter does not include micro-ventilation device, It needs to be ordered separately.

Applicable height	Length of rod	Quantity of locking point	Series code	Remarks
801-1000	780	2	PCDQAF47508	Safety micro-ventilator suitable for open-in windows
1001-1200	980	3	PCDQAF47510	
1201-1400	1180	3	PCDQAF47512	

Backset is 7.5mm

Inward Type Sliding Type Anti-Theft Type(FD)

Applicable height	Length of rod	Quantity of locking point	Series code			Remarks
			Inward type	Sliding type	Anti-theft type	
260-400	244	2	PCDQND47503	PCDQT47503	PCDQFD47503	Single side transmit type suitable for open-in windows、sliding windows & doors
401-600	350	2	★ PCDQND47504	PCDQT47504	PCDQFD47504	
601-800	580	2	★★ PCDQND47506	PCDQT47506	PCDQFD47506	
801-1000	780	2	★★ PCDQND47508	PCDQT47508	PCDQFD47508	
1001-1200	980	3	★★ PCDQND47510	PCDQT47510	PCDQFD47510	
1201-1400	1180	3	★★ PCDQND47512	PCDQT47512	PCDQFD47512	
1401-1600	1380	4	PCDQND47514	PCDQT47514	PCDQFD47514	
1601-1800	1580	4	PCDQND47516	PCDQT47516	PCDQFD47516	
1801-2000	1780	4	PCDQND47518	PCDQT47518	PCDQFD47518	
2001-2200	1980	4	PCDQND47520	PCDQT47520	PCDQFD47520	

Backset is 7.5mm

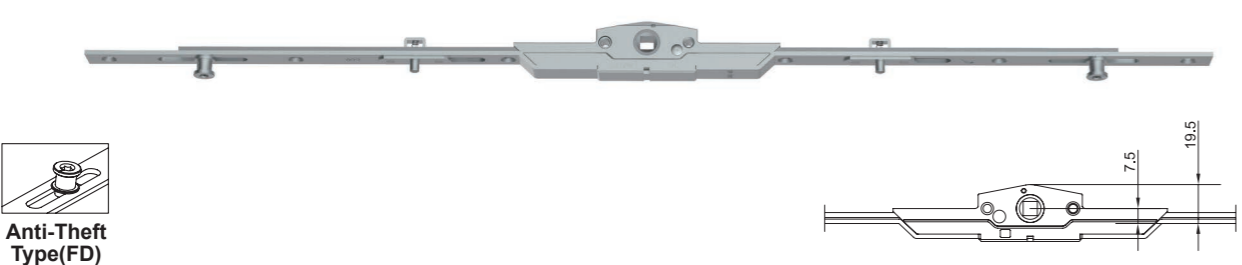
Inward Type

Applicable height	Length of rod	Quantity of locking point	Series code	Remarks
601-800	580	2	PCDQS07506	Double sides transmitter suitable for open-in windows
801-1000	780	2	PCDQS07508	
1001-1200	980	3	PCDQS07510	
1201-1400	1180	3	PCDQS07512	
1401-1600	1380	4	PCDQS07514	

Note: For order quantity less than 1000 sets with standard color, the Production Time Symbol ★★ < 7days, ★ < 10days, none > 15days, The actual production time should be evaluated and the instructions above is for reference only.

Transmitter Series


Backset is 7.5mm



Anti-Theft Type(FD)

Applicable height	Length of rod	Quantity of locking point	Series code	Remarks
601-800	580	2	PCDQZB47506	Single side transmit suitable for fire-resistant open-in windows
801-1000	780	2	PCDQZB47508	
1001-1200	980	3	PCDQZB47510	
1201-1400	1180	3	PCDQZB47512	
1401-1600	1380	4	PCDQZB47514	
1601-1800	1580	4	PCDQZB47516	
1801-2000	1780	4	PCDQZB47518	
2001-2200	1980	4	PCDQZB47520	

Backset is 15mm



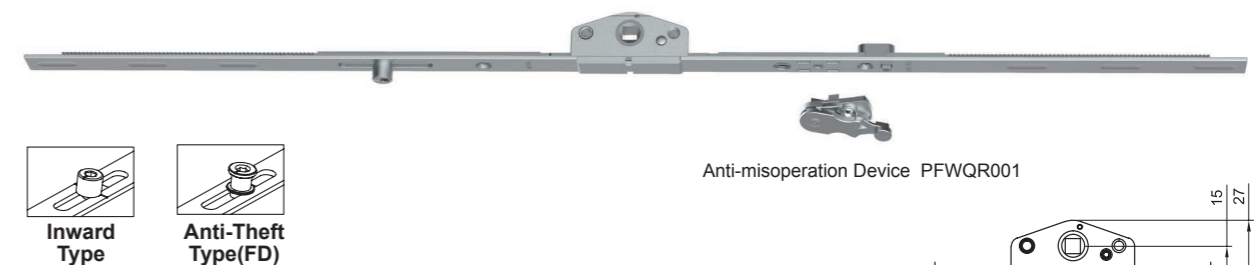
Inward Type Sliding Type Anti-Theft Type(FD)

Applicable height	Length of rod	Quantity of locking point	Series code			Remarks
			Inward type	Sliding type	Anti-theft type	
270-400	250	2	PCDQND41503	PCDQT41503	PCDQFD41503	Single side transmit type suitable for open-in windows, sliding windows & doors
401-600	356	2	PCDQND41504	PCDQT41504	PCDQFD41504	
601-800	586	2	PCDQND41506	PCDQT41506	PCDQFD41506	
801-1000	786	2	PCDQND41508	PCDQT41508	PCDQFD41508	
1001-1200	986	3	PCDQND41510	PCDQT41510	PCDQFD41510	
1201-1400	1186	3	PCDQND41512	PCDQT41512	PCDQFD41512	
1401-1600	1386	4	PCDQND41514	PCDQT41514	PCDQFD41514	
1601-1800	1586	4	PCDQND41516	PCDQT41516	PCDQFD41516	
1801-2000	1786	4	PCDQND41518	PCDQT41518	PCDQFD41518	
2001-2200	1986	4	PCDQND41520	PCDQT41520	PCDQFD41520	

Note: For order quantity less than 1000 sets with standard color, the Production Time Symbol ★★ < 7days, ★ < 10days, none > 15days, The actual production time should be evaluated and the instructions above is for reference only.

Transmitter Series

Backset is 15mm




Inward Type Anti-Theft Type(FD) Anti-misoperation Device PFWQR001

Transmitter not include Anti-misoperation device, anti-misoperation device needs to be ordered separately and has left and right type.

Applicable height	Length of rod	Quantity of locking point	Series code		Remarks
			Inward type	Anti-theft type	
490-730	430	0	PCDQN41505-07A	---	Multi-sides transmitter suitable for open-in windows
700-900	602	1	PCDQN41507-09	PCDQFD41507-09	
901-1200	902	1	PCDQN41509-12	PCDQFD41509-12	
1201-1450	1150	1	PCDQN41512-14	PCDQFD41512-14	
1201-1600	1302	1	PCDQN41512-16	PCDQFD41512-16	

Backset is 15mm




Inward Type Micro-ventilation device PCDQAF475K09/13

Transmitter does not include micro-ventilation device, It needs to be ordered separately.

Applicable height	Length of rod	Quantity of locking point	Series code	Remarks
801-1000	786	2	PCDQAF41508	Safety micro-ventilator suitable for open-in windows
1001-1200	986	3	PCDQAF41510	
1201-1400	1186	3	PCDQAF41512	

Transmitter Series

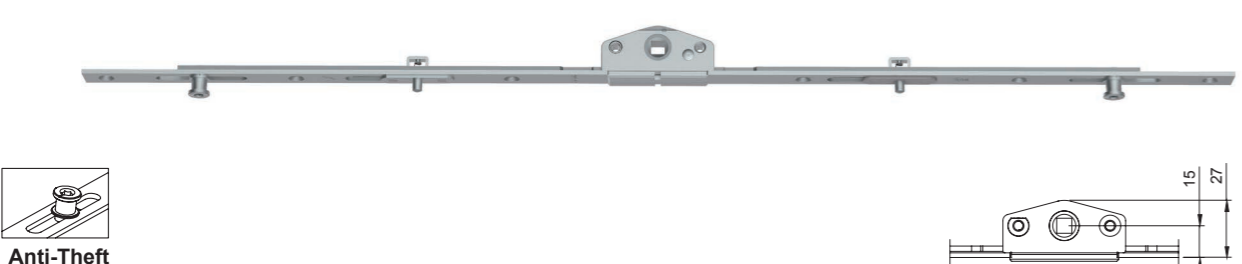
Backset is 15mm



Anti-Theft Type

Applicable height	Length of rod	Quantity of locking point	Series code	Remarks
700-900	602	1	PCDQFH41507-09	Multi-sides transmitter suitable for fire-resistant open-in windows
901-1200	902	1	PCDQFH41509-12	
1401-1450	1150	1	PCDQFH41512-14	
1201-1600	1302	1	PCDQFH41512-16	

Backset is 15mm

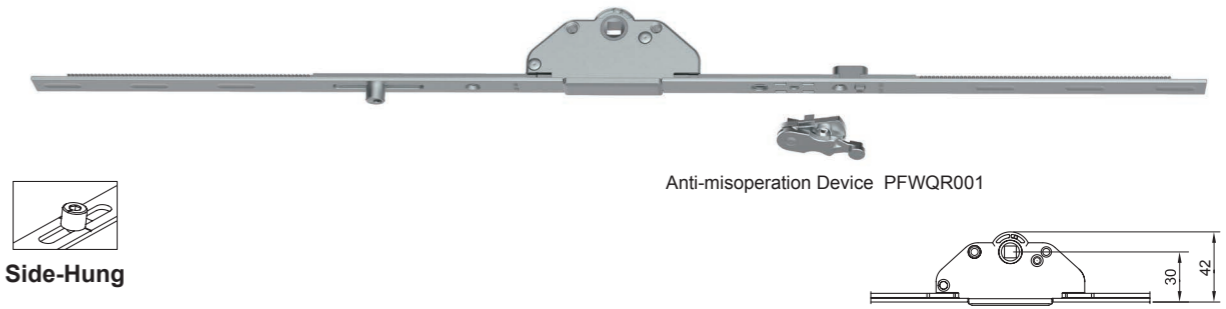


Anti-Theft Type

Applicable height	Length of rod	Quantity of locking point	Series code	Remarks
601-800	586	2	PCDQZB41506	Transmitter suitable for fire-resistant open-in windows
801-1000	786	2	PCDQZB41508	
1001-1200	986	3	PCDQZB41510	
1201-1400	1186	3	PCDQZB41512	
1401-1600	1386	4	PCDQZB41514	
1601-1800	1586	4	PCDQZB41516	
1801-2000	1786	4	PCDQZB41518	
2001-2200	1986	4	PCDQZB41520	

Transmitter Series

Backset is 30mm



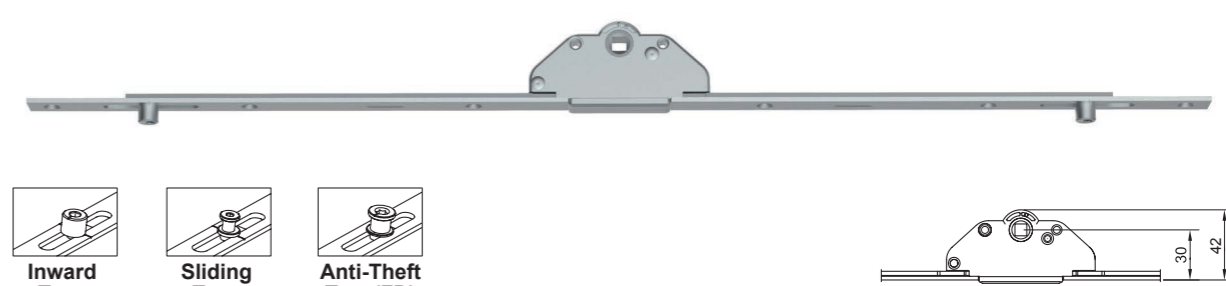
Side-Hung

Anti-misoperation Device PFWQR001

Transmitter not include Anti-misoperation device, anti-misoperation device needs to be ordered separately and has left and right type.

Applicable height	Length of rod	Quantity of locking point	Series code	Remarks
700-900	602	1	PCDQN03007-09	Multi-sides transmitter suitable for open-in windows
901-1200	902	1	PCDQN03009-12	
1201-1450	1150	1	PCDQN03012-14	
1201-1600	1302	1	PCDQN03012-16	

Backset is 30mm



Inward Type **Sliding Type** **Anti-Theft Type (FD)**

Applicable height	Length of rod	Quantity of locking point	Series code			Remarks
			Inward type	Sliding type	Anti-theft type	
400-600	356	2	PCDQND03004	PCDQT13004	PCDQFD03004	Single side transmitter suitable for open-in windows, sliding windows & doors
601-800	586	2	PCDQND03006	PCDQT13006	PCDQFD03006	
801-1000	786	2	PCDQND03008	PCDQT13008	PCDQFD03008	
1001-1200	986	3	PCDQND03010	PCDQT13010	PCDQFD03010	
1201-1400	1186	3	PCDQND03012	PCDQT13012	PCDQFD03012	
1401-1600	1386	4	PCDQND03014	PCDQT13014	PCDQFD03014	
1601-1800	1586	4	PCDQND03016	PCDQT13016	PCDQFD03016	
1801-2000	1786	4	PCDQND03018	PCDQT13018	PCDQFD03018	
2001-2200	1986	4	PCDQND03020	PCDQT13020	PCDQFD03020	

Note: For order quantity less than 1000 sets with standard color, the Production Time Symbol ★★ < 7days, ★ < 10days, none > 15days, The actual production time should be evaluated and the instructions above is for reference only.

Transmitter Series

Backset is 35mm

Anti-misoperation device PFWQR001

Side-Hung

Transmitter not include Anti-misoperation device, anti-misoperation device needs to be ordered separately and has left and right type.

Applicable height	Length of rod	Quantity of locking point	Series code	Remarks
700-900	602	1	PCDQN03507-09	Multi-sides transmitter suitable for open-in windows
901-1200	902	1	PCDQN03509-12	
1201-1400	1150	1	PCDQN03512-14	
1201-1600	1302	1	PCDQN03512-16	

Backset is 35mm

Inward Type(ND) **Sliding Type(T)** **Anti-Theft Type(FD)**

Applicable height	Length of rod	Quantity of locking point	Series code			Remarks
			Inward type	Sliding type	Anti-theft type	
400-600	356	2	PCDQND03504	PCDQT03504	PCDQFD03504	Single side transmitter suitable for open-out windows, sliding windows & doors
601-800	586	2	PCDQND03506	PCDQT03506	PCDQFD03506	
801-1000	786	2	PCDQND03508	PCDQT03508	PCDQFD03508	
1001-1200	986	3	PCDQND03510	PCDQT03510	PCDQFD03510	
1201-1400	1186	3	PCDQND03512	PCDQT03512	PCDQFD03512	
1401-1600	1386	4	PCDQND03514	PCDQT03514	PCDQFD03514	
1601-1800	1586	4	PCDQND03516	PCDQT03516	PCDQFD03516	
1801-2000	1786	4	PCDQND03518	PCDQT03518	PCDQFD03518	
2001-2200	1986	4	PCDQND03520	PCDQT03520	PCDQFD03520	

Transmitter Series

Backset is 20mm

Open-Out Type(WD) **Sliding Type(T)**

Applicable height	Length of rod	Quantity of locking point	Series code		Remarks
			Open-out type	Sliding type	
270-400	250	2	PCDQWD22003	PCDQT22003	Single side transmitter suitable for open-out windows, sliding windows & doors
401-600	356	2	★ PCDQWD22004	PCDQT22004	
601-800	586	2	★ PCDQWD22006	PCDQT22006	
801-1000	786	2	★★ PCDQWD22008	PCDQT22008	
1001-1200	986	3	★★ PCDQWD22010	PCDQT22010	
1201-1400	1186	3	PCDQWD22012	PCDQT22012	
1401-1600	1386	4	PCDQWD22014	PCDQT22014	
1601-1800	1586	4	PCDQWD22016	PCDQT22016	
1801-2000	1786	4	PCDQWD22018	PCDQT22018	
2001-2200	1986	4	PCDQWD22020	PCDQT22020	


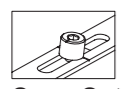
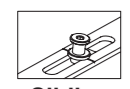
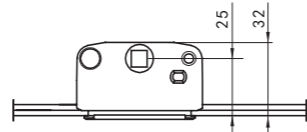
Backset is 22mm


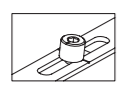
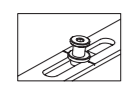
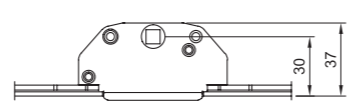
Open-Out Type(WD) **Sliding Type(T)**

Applicable height	Length of rod	Quantity of locking point	Series code		Remarks
			Open-out type	Sliding type	
401-600	356	2	PCDQWD32204	PCDQT32204	Single side transmitter suitable for open-out windows, sliding windows & doors
601-800	586	2	PCDQWD32206	PCDQT32206	
801-1000	786	2	PCDQWD32208	PCDQT32208	
1001-1200	986	3	PCDQWD32210	PCDQT32210	
1201-1400	1186	3	PCDQWD32212	PCDQT32212	
1401-1600	1386	4	PCDQWD32214	PCDQT32214	
1601-1800	1586	4	PCDQWD32216	PCDQT32216	
1801-2000	1786	4	PCDQWD32218	PCDQT32218	
2001-2200	1986	4	PCDQWD32220	PCDQT32220	

Note: For order quantity less than 1000 sets with standard color, the Production Time Symbol ★★ < 7days, ★ < 10days, none > 15days, The actual production time should be evaluated and the instructions above is for reference only.

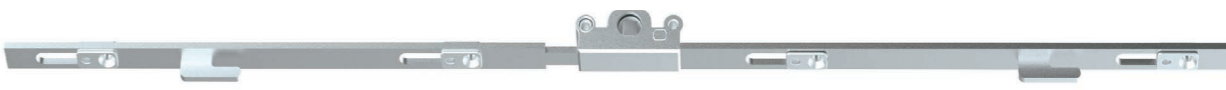
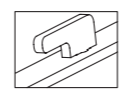
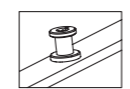
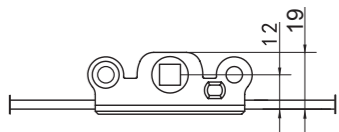
Transmitter Series


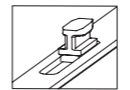
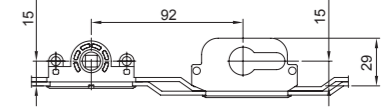
Backset is 25mm					
					
 					
Applicable height	Length of rod	Quantity of locking point	Series code		Remarks
			Open-out type	Sliding type	
401-600	356	2	PCDQWD22504	PCDQT22504	Single side transmitter suitable for open-out windows, sliding windows & doors
601-800	586	2	PCDQWD22506	PCDQT22506	
801-1000	786	2	PCDQWD22508	PCDQT22508	
1001-1200	986	3	PCDQWD22510	PCDQT22510	
1201-1400	1186	3	PCDQWD22512	PCDQT22512	
1401-1600	1386	4	PCDQWD22514	PCDQT22514	
1601-1800	1586	4	PCDQWD22516	PCDQT22516	
1801-2000	1786	4	PCDQWD22518	PCDQT22518	
2001-2200	1986	4	PCDQWD22520	PCDQT22520	


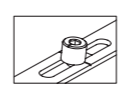
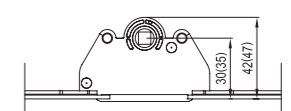
Backset is 30mm					
					
 					
Applicable height	Length of rod	Quantity of locking point	Series code		Remarks
			Open-out type	Sliding type	
401-600	356	2	PCDQWD03004	PCDQT03004	Single side transmitter suitable for open-out windows, sliding windows & doors
601-800	586	2	PCDQWD03006	PCDQT03006	
801-1000	786	2	PCDQWD03008	PCDQT03008	
1001-1200	986	3	PCDQWD03010	PCDQT03010	
1201-1400	1186	3	PCDQWD03012	PCDQT03012	
1401-1600	1386	4	PCDQWD03014	PCDQT03014	
1601-1800	1586	4	PCDQWD03016	PCDQT03016	
1801-2000	1786	4	PCDQWD03018	PCDQT03018	
2001-2200	1986	4	PCDQWD03020	PCDQT03020	

Note: For order quantity less than 1000 sets with standard color, the Production Time Symbol ★★ < 7days, ★ < 10days, none > 15days, The actual production time should be evaluated and the instructions above is for reference only.

Transmitter Series

Backset is 12mm(without groove Suitable for sliding doors)				
				
 				
Length of rod	Quantity of locking point	Series code		Remarks
		Sliding type I	Sliding type II	
600	2	PCDQ01206/ I	PCDQ01206/ II	Transmitter without groove suitable for sliding doors
800	2	PCDQ01208/ I	PCDQ01208/ II	
1000	3	PCDQ01210/ I	PCDQ01210/ II	
1200	3	PCDQ01212/ I	PCDQ01212/ II	
1400	3	PCDQ01214/ I	PCDQ01214/ II	

Backset is 15mm				
				
				
Sliding Type Use with handle series				
Applicable height	Length of rod	Quantity of locking point	Series code	Remarks
1600-1800	1595	4	PMCDQTSS41516K92	Transmitter suitable for sliding doors
1801-2000	1795	4	PMCDQTSS41518K92	
2001-2200	1995	4	PMCDQTSS41520K92	

Backset is 30/35mm					
					
					
Applicable height	Length of rod	Quantity of locking point	Centre distance	Series code	Remarks
1600-2800	800	2	30	★ PMCDQS33008	Integrated type suitable for side-hung doors
1600-2800	800	2	35	PMCDQS33508	

Transmitter Series

Backset is 30/35mm

Side-Hung

Applicable height	Length of rod	Quantity of locking point	Centre distance	Series code	Remarks
1600-2800	800	2	30	★PMCDQSS33008	Split type suitable for side-hung doors
1600-2800	800	2	35	PMCDQSS33508	

Backset is 30/35mm

Side-Hung

Applicable height	Length of rod	Quantity of locking point	Centre distance	Series code	Remarks
1800-2200	1786	4	30	PMCDQS23018	Integrated type suitable for side-hung doors
2000-2400	1986	4		PMCDQS23020	
1800-2200	1786	4	35	PMCDQS23518	
2000-2400	1986	4		PMCDQS23520	

Backset is 30/35mm

Side-Hung

Applicable height	Length of rod	Quantity of locking point	Centre distance	Series code	Remarks
1800-2200	1786	4	30	PMCDQSS23018	Integrated type suitable for side-hung doors
2000-2400	1986	4		PMCDQSS23020	
1800-2200	1786	4	35	PMCDQSS23518	
2000-2400	1986	4		PMCDQSS23520	

Transmitter Series

Backset is 40/45mm

Side-Hung

Applicable height	Length of rod	Quantity of locking point	Centre distance	Series code	Remarks
1800-2200	1786	4	40mm	PMCDQSS14018	Integrated type suitable for side-hung doors
2000-2400	1986	4		PMCDQSS14020	
1800-2200	1786	4	45mm	PMCDQSS14518	
2000-2400	1986	4		PMCDQSS14520	

Backset is 40/45mm

Side-Hung

Applicable height	Length of rod	Quantity of locking point	Centre distance	Series code	Remarks
1800-2200	1786	4	40mm	PMCDQS24018	Integrated type suitable for side-hung doors
2000-2400	1986	4		PMCDQS24020	
1800-2200	1786	4	45mm	PMCDQS24518	
2000-2400	1986	4		PMCDQS24520	

Backset is 40/45mm

Side-Hung

Applicable height	Length of rod	Quantity of locking point	Centre distance	Series code	Remarks
1800-2200	1786	4	40mm	PMCDQSS24018	Integrated type suitable for side-hung doors
2000-2400	1986	4		PMCDQSS24020	
1800-2200	1786	4	45mm	PMCDQSS24518	
2000-2400	1986	4		PMCDQSS24520	

Note: For order quantity less than 1000 sets with standard color, the Production Time Symbol ★★ < 7days, ★ < 10days, none > 15days, The actual production time should be evaluated and the instructions above is for reference only.

Door lock Series

Backset is 30/35mm

Applicable height	Length of rod	Centre distance	Series code	Remarks
1400-2800	300	30	PMS30/IIFX	For single point
1400-2800	300	35	PMS35/IIFX	

Door lock Series

Backset is 30mm

Applicable height	Length of rod	Centre distance	Series code	Remarks
1400-2800	300	30	PMS30/II	For single point
1400-2800	300	35	PMS35/II	
1400-2800	300	35	PMS9235/II	




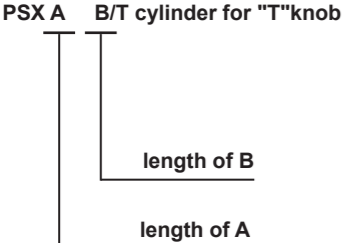
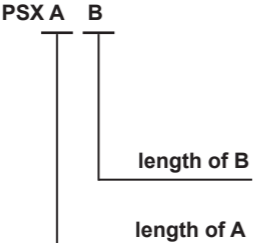
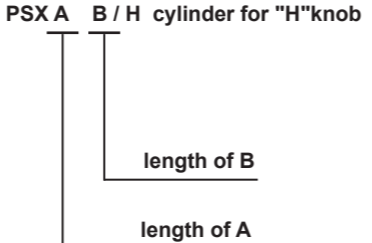
Backset is 30/35mm

Applicable height	Length of rod	Centre distance	Series code	Remarks
1400-2800	300	30	PMS30/IAFX	For multi-points
1400-2800	300	35	PMS35/IAFX	

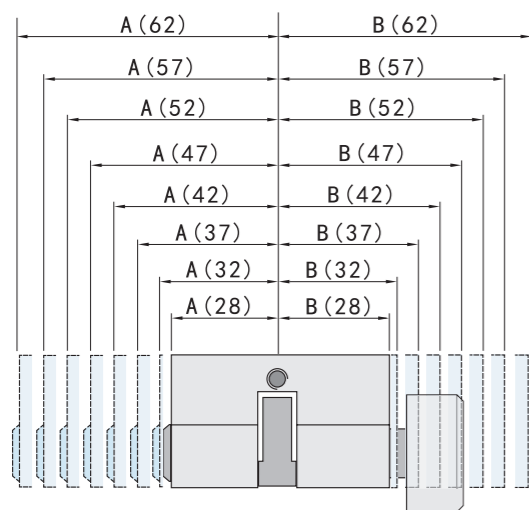
Backset is 30/35mm

Applicable height	Length of rod	Centre distance	Series code	Remarks
1400-2800	300	30	★ PMS30/IA	For multi-points
1400-2800	390	35	PMS35/IA	

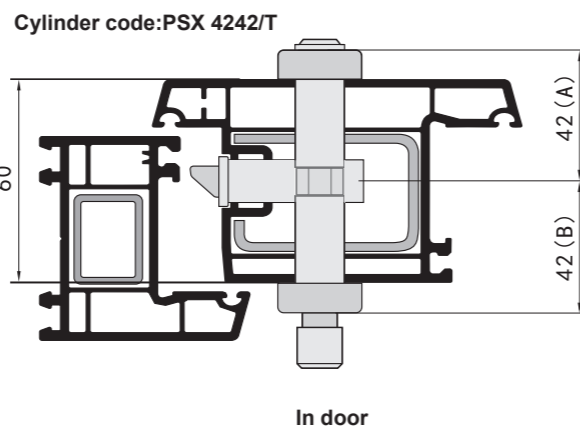
Cylinder Series

<p>★★ PSX4242/T ★ PSX4247/T</p> 	<p>★★ PSX4242 ★ PSX4247</p> 	
<p>PSX A B/T cylinder for "T" knob</p> 	<p>PSX A B</p> 	<p>PSX A B / H cylinder for "H" knob</p> 

Cylinder Specification



Install instruction



Instructions

A is for the space from the key to cylinder center .
B is for the space from the knob to cylinder center .

Note: For order quantity less than 1000 sets with standard color, the production time symbol ★★ < 7days, ★ < 10days, none > 15days, The actual production time should be evaluated and the instructions above is for reference only.

Limiter & Safety hock Series

◆ Suitable for open-in windows

Assembly Dimension Unit(mm)

Type	A	B	C	D	E
PFC00108	203	183	163	116	50
PFC00110	254	234	214	165	50
★ PFC00112	305	285	265	210	50
★★ PFC00114	356	336	316	255	50
PFC00116	356	336	316	290	50

◆ Suitable for open-in windows

Assembly Dimension Unit(mm)

Type	A	B	C	D	E
PFC050008	208	202	185	107	45
PFC050010	261.5	254.5	238	190	45
★ PFC050012	365	358	341.5	210	45
★★ PFC050014	361	355	338	254	45

PFC0700CK18

◆ Temperature - controlled limiting stopper
◆ Suitable for fire-resistant open-in windows
◆ Minimum applicable width 500mm

PFC0900

◆ Suitable for concealed pivot hinge
Meet the minimum window width 350mm

PAQK01

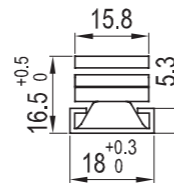
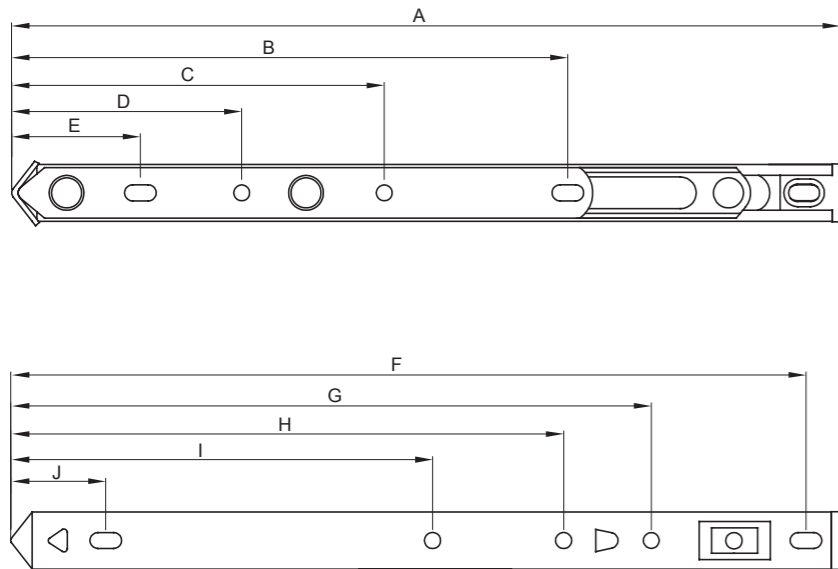
◆ Safety buckle
◆ It is used for open-out side hung window to realize small angle opening of window
◆ The window can be opened at a small angle or a large Angle



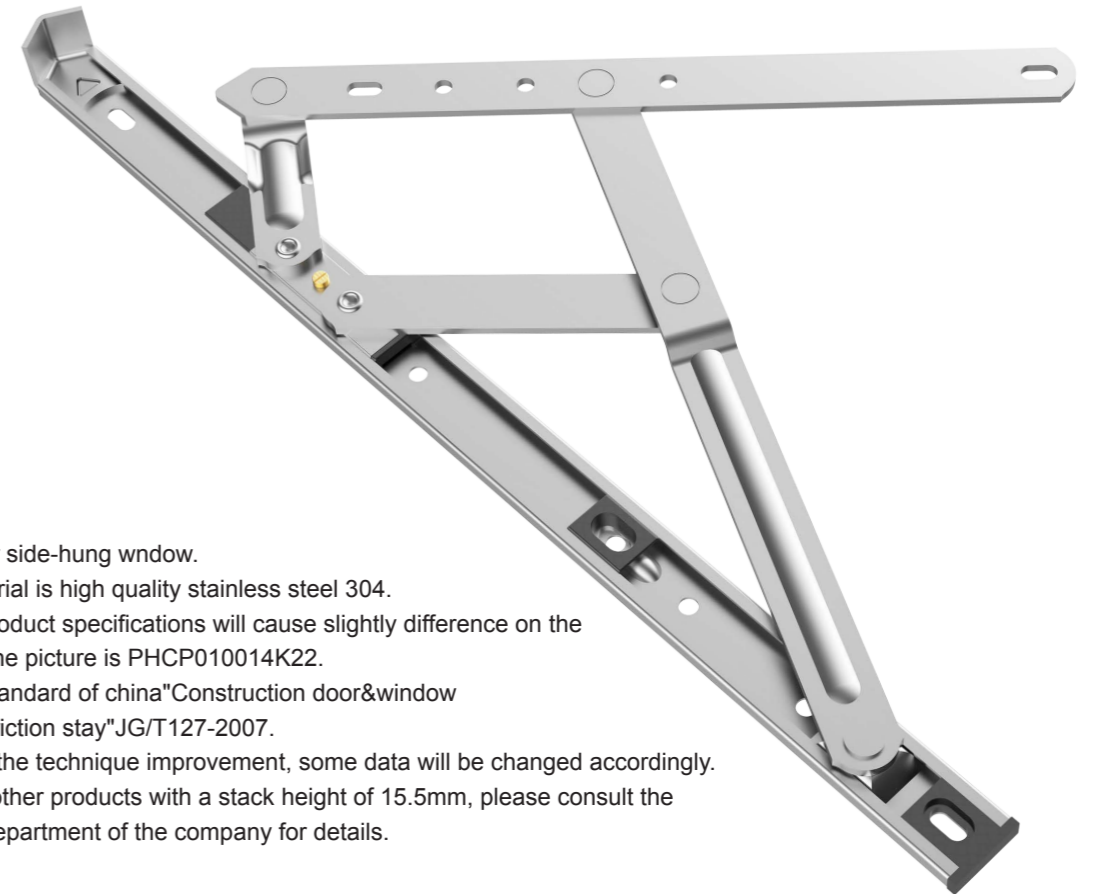
PHCP0100 Series (K18)



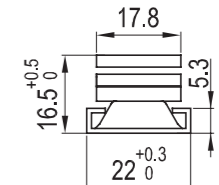
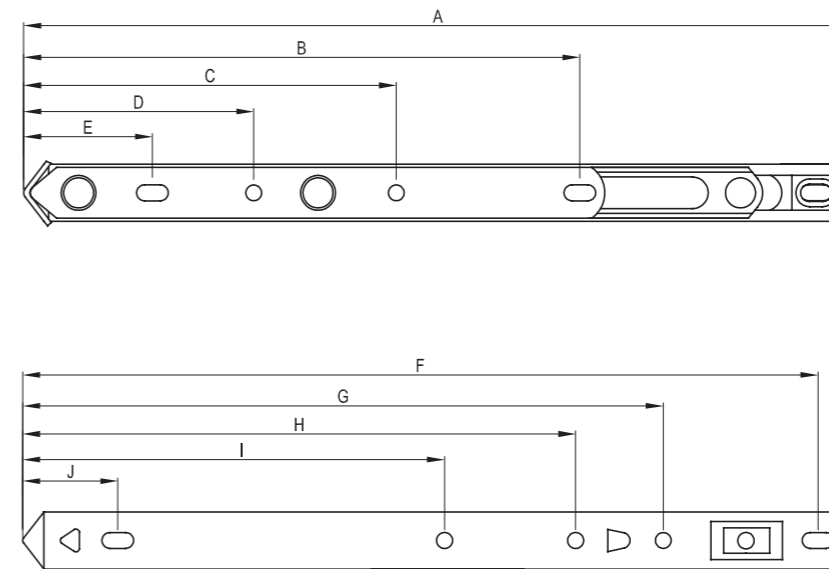
- ◆ Suitable for side-hung window.
- ◆ Main material is high quality stainless steel 304.
- ◆ Different product specifications will cause slightly difference on the structure, the picture is PHCP010014K18.
- ◆ Meet the standard of china"Construction door&window hardware friction stay"JG/T127-2007.
- ◆ Along with the technique improvement, some data will be changed accordingly.
- ◆ There are other products with a stack height of 15.5mm, please consult the technical department of the company for details.



PHCP0100 Series (K22)



- ◆ Suitable for side-hung window.
- ◆ Main material is high quality stainless steel 304.
- ◆ Different product specifications will cause slightly difference on the structure, the picture is PHCP010014K22.
- ◆ Meet the standard of china"Construction door&window hardware friction stay"JG/T127-2007.
- ◆ Along with the technique improvement, some data will be changed accordingly.
- ◆ There are other products with a stack height of 15.5mm, please consult the technical department of the company for details.



Assembly Dimension Unit(mm)											Technical Parameter			
Type	A	B	C	D	E	F	G	H	I	J	Max. Window Height (mm)	Max. Window Width (mm)	Max. Window Weight (Kg)	Opening Angle
PHCP010012K18	308	211	118	73	39	300	239	211	143	32	1300	500	22	45°/88°
PHCP010014K18	360	228	133	88	39	349	302	227	153	32	1400	600	25	45°/88°
PHCP010016K18	409	246	151	106	39	397	346	250	160	32	1500	650	27	45°/88°

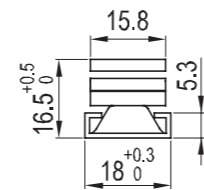
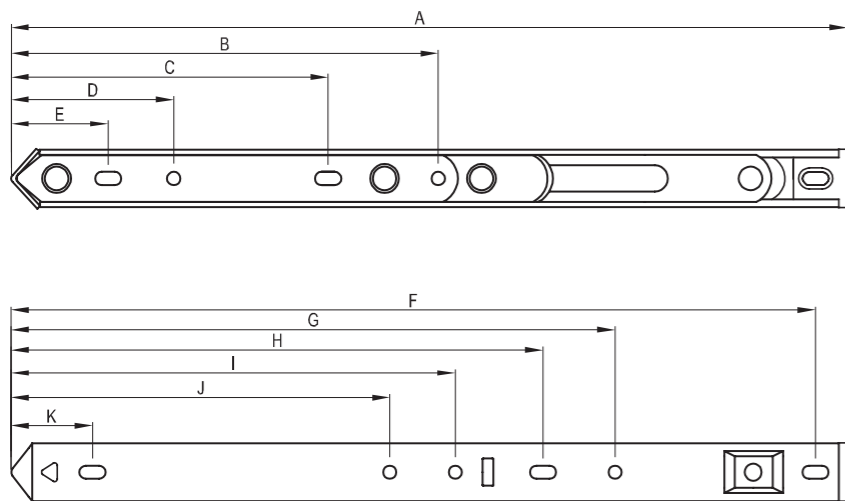
Assembly Dimension Unit(mm)											Technical Parameter			
Type	A	B	C	D	E	F	G	H	I	J	Max. Window Height (mm)	Max. Window Width (mm)	Max. Window Weight (Kg)	Opening Angle
PHCP010012K22	313	216	116	65	39	300	246	220	156	32	1400	500	30	45°/88°
PHCP010014K22	361	232	130	90	64	350	304	238	162	32	1500	600	33	45°/88°
PHCP010016K22	412	252	149	109	64	400	354	263	171	32	1600	700	38	45°/88°

Note: For order quantity less than 1000 sets with standard color, the production time symbol ★★ < 7days, ★ < 10days, none > 15days, The actual production time should be evaluated and the instructions above is for reference only.

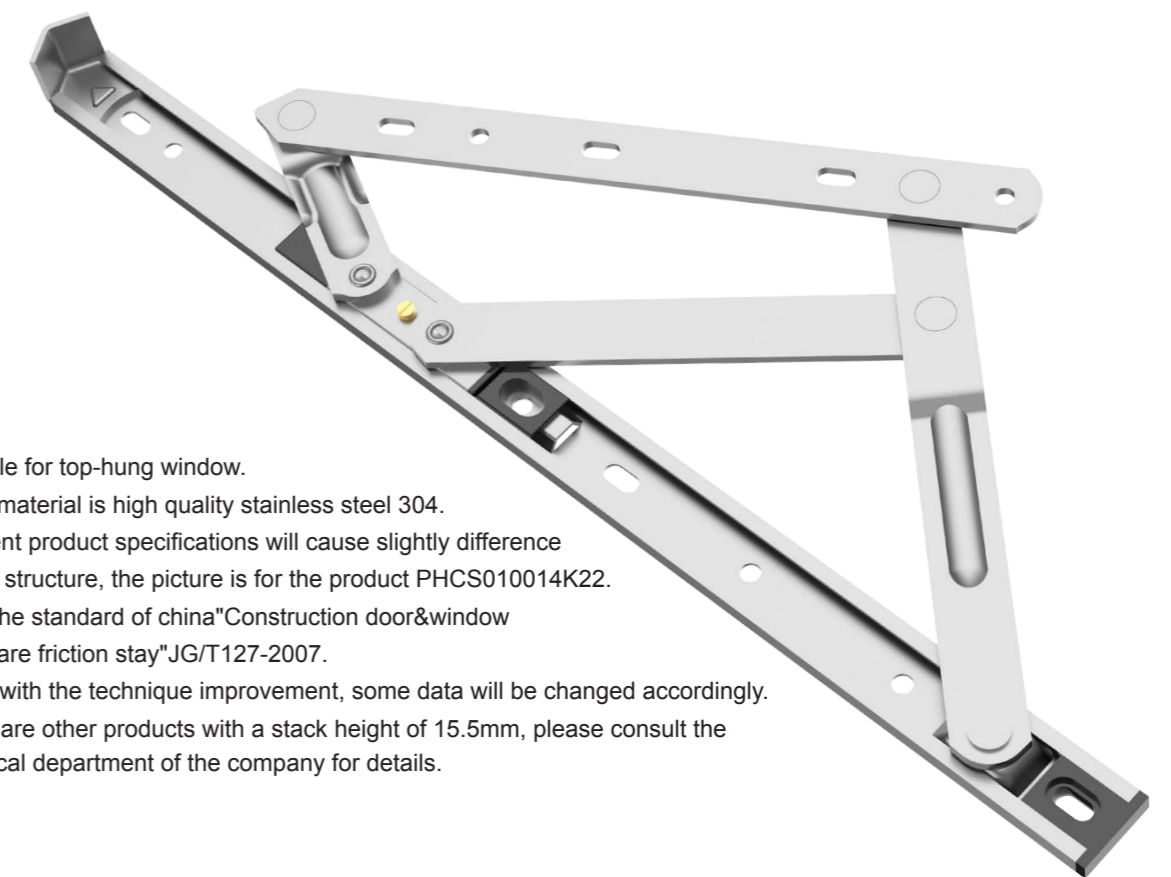
PHCS0100 Series (K18)



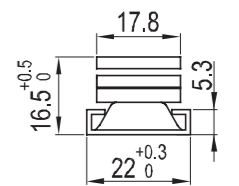
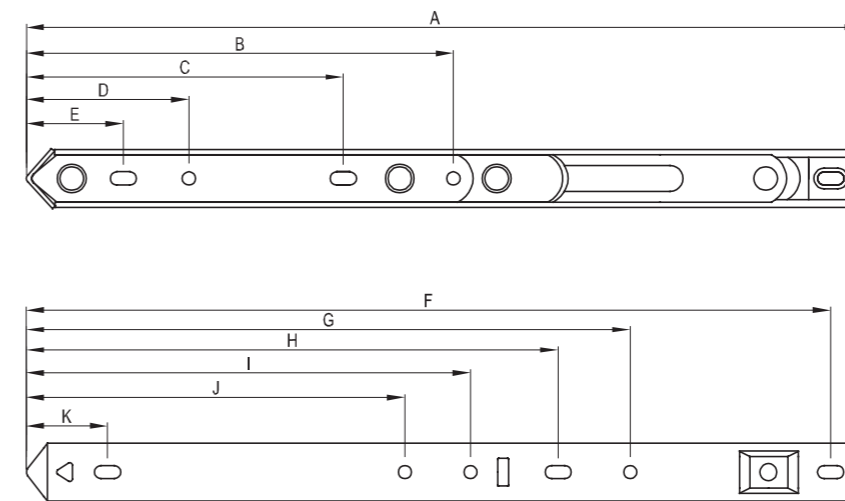
- ◆ Suitable for top-hung window.
- ◆ Main material is high quality stainless steel 304.
- ◆ Different product specifications will cause slightly difference on the structure, the picture is for the product PHCS010014K18.
- ◆ Meet the standard of china"Construction door&window hardware friction stay"JG/T127-2007.
- ◆ Along with the technique improvement, some data will be changed accordingly.
- ◆ There are other products with a stack height of 15.5mm, please consult the technical department of the company for details.



PHCS0100 Series (K22)



- ◆ Suitable for top-hung window.
- ◆ Main material is high quality stainless steel 304.
- ◆ Different product specifications will cause slightly difference on the structure, the picture is for the product PHCS010014K22.
- ◆ Meet the standard of china"Construction door&window hardware friction stay"JG/T127-2007.
- ◆ Along with the technique improvement, some data will be changed accordingly.
- ◆ There are other products with a stack height of 15.5mm, please consult the technical department of the company for details.



Assembly Dimension Unit(mm)											Technical Parameter				
Type	A	B	C	D	E	F	G	H	I	J	K	Max. Window Height (mm)	Max. Window Width (mm)	Max. Window Weight (Kg)	Opening Angle
PHCS010012K18	317	163	121	62	36	307	224	196	163	138	30	750	1100	29	25°/30°
PHCS010014K18	359	199	157	62	36	347	259	216	183	158	30	850	1150	34	25°/30°
PHCS010016K18	416	239	198	62	36	406	285	225	192	167	30	950	1200	39	25°/30°

Note: For order quantity less than 1000 sets with standard color, the production time symbol ★★ < 7days, ★ < 10days, none > 15days, The actual production time should be evaluated and the instructions above is for reference only.

Assembly Dimension Unit(mm)											Technical Parameter				
Type	A	B	C	D	E	F	G	H	I	J	K	Max. Window Height (mm)	Max. Window Width (mm)	Max. Window Weight (Kg)	Opening Angle
PHCS010012K22	318	163	121	62	36	307	230	203	169	144	30	800	1100	55	25°/30°
PHCS010014K22	359	199	157	62	36	348	300	212	178	153	30	1000	1200	65	25°/30°
PHCS010016K22	415	239	198	62	36	403	355	229	195	170	30	1200	1300	80	25°/30°

Frame Accessory Series



Interpretation of locking plate code: PSKFD00309


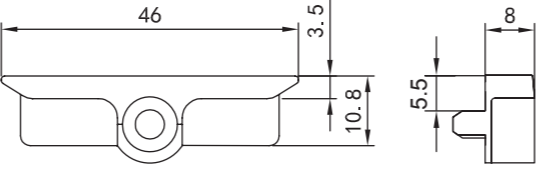

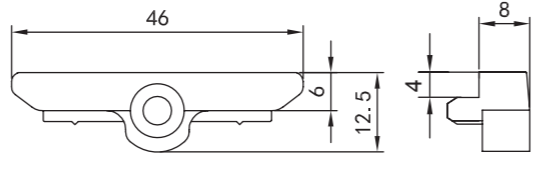

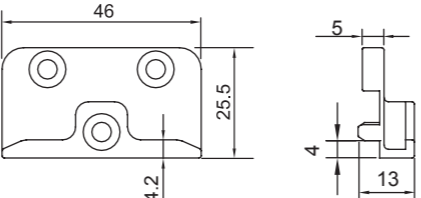

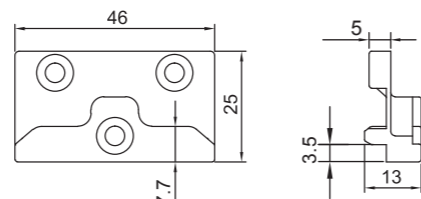

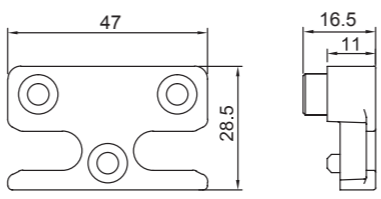
P	SK	FD	003	09
U groove door and window	Locking plate	Anti-Theft Type	Serial number	9 Series

Frame Accessory Series

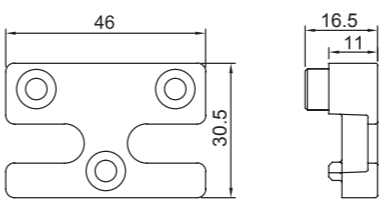

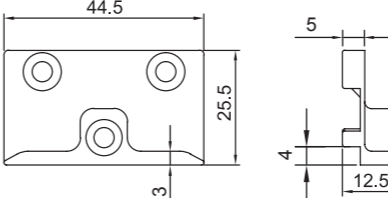

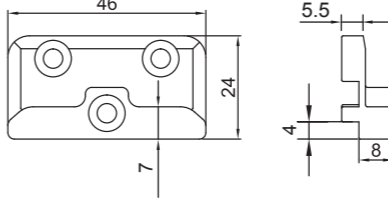

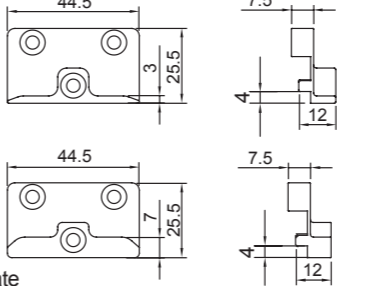

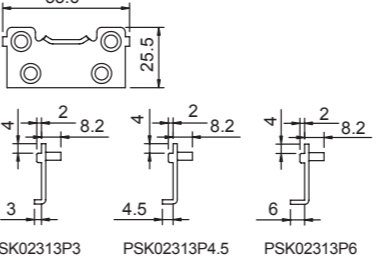

<p>PSK20109</p> <p>◆ Locking plate</p>	<p>★★</p>
<p>PSK20113</p> <p>◆ Locking plate</p>	<p>★★</p>
<p>PSK104</p> <p>◆ Locking plate ◆ Match with the u-groove fake mullion profile</p>	
<p>PSK10609</p> <p>◆ Locking plate ◆ Match with the c-groove profile</p>	
<p>PSK10613</p> <p>◆ Locking plate ◆ Match with the c-groove profile</p>	

Note: For order quantity less than 1000 sets with standard color, the Production Time Symbol ★★ < 7days, ★ < 10days, none > 15days, The actual production time should be evaluated and the instructions above is for reference only.

Frame Accessory Series


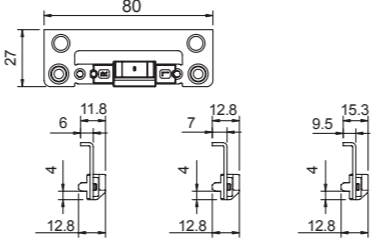

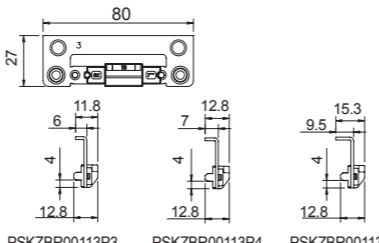

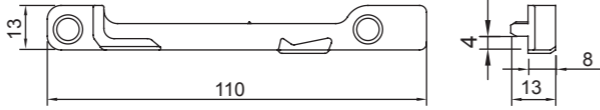

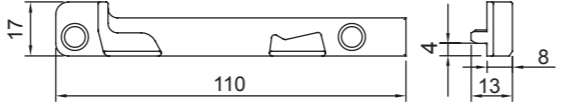

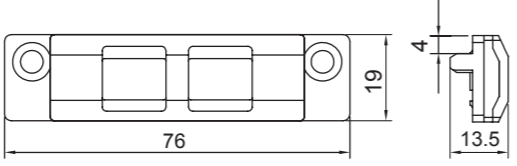
	<p>PSK00709</p>  <p>◆ Locking plate</p>
	<p>PSK00713</p>  <p>◆ Locking plate</p>
	<p>PSKFD00309</p>  <p>◆ Anti-theft locking plate</p>
	<p>PSKFD00313</p>  <p>◆ Anti-theft locking plate</p>
	<p>PSK01709A</p>  <p>◆ Anti-theft locking plate</p>

Frame Accessory Series

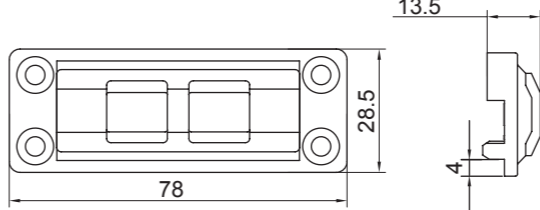

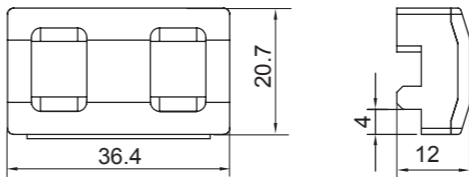

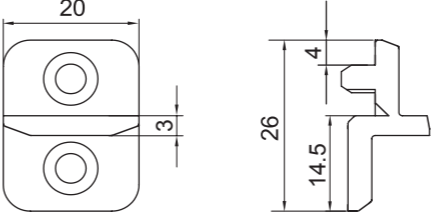

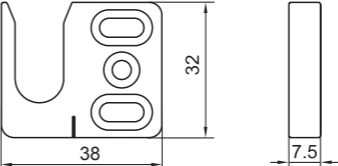

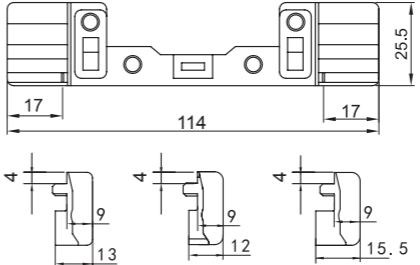

	<p>PSK01713A</p> 
	<p>PSK01909 ★</p> 
	<p>PSK01913 ★</p> 
	<p>PSK02209 PSK02213</p> 
	<p>PSK02313P3 PSK02313P4.5 PSK02313P6</p> 

Note: For order quantity less than 1000 sets with standard color, the production time symbol ★★ < 7days, ★ < 10days, none > 15days. The actual production time should be evaluated and the instructions above is for reference only.

Frame Accessory Series


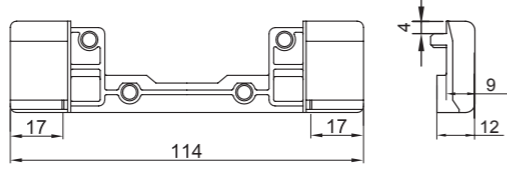

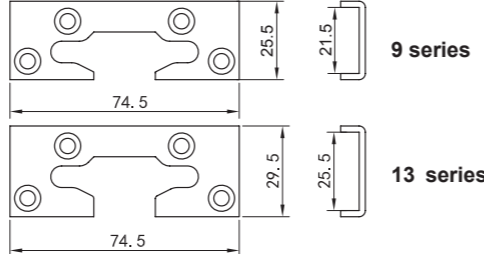

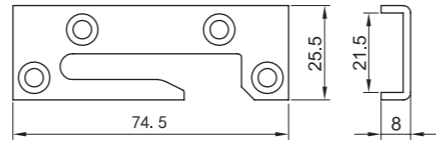

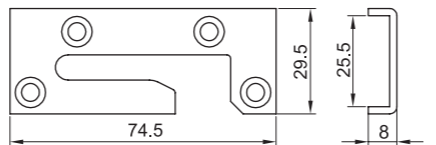

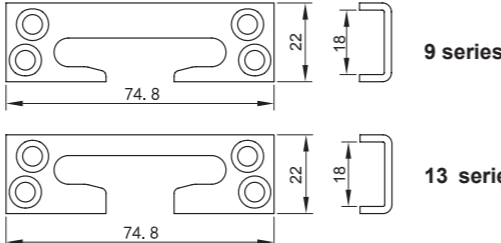
	<p>PSKZBR00109P3 PSKZBR00109P4 PSKZBR00109P6.5</p>  <ul style="list-style-type: none"> ◆ Self-locking piece ◆ Left & Right ◆ Suitable for fire-resistant open-in side-hung windows
	<p>PSKZBR00113P3 PSKZBR00113P4 PSKZBR00113P6.5</p>  <ul style="list-style-type: none"> ◆ Self-locking piece ◆ Left & Right ◆ Suitable for fire-resistant open-in side-hung windows
	<p>PQZSKR00209 PQZSKL00209</p>  <ul style="list-style-type: none"> ◆ Tilt lock plate ◆ Left & Right (The picture is the right type)
	<p>PQZSKR00213 PQZSKL00213</p>  <ul style="list-style-type: none"> ◆ Tilt lock plate ◆ Left & Right (The picture is the right type)
	<p>PXK00109</p>  <ul style="list-style-type: none"> ◆ Locking plate

Frame Accessory Series


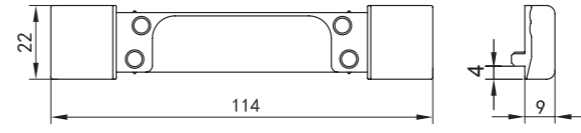

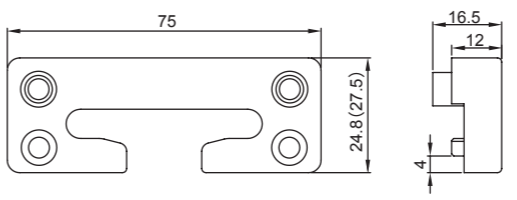

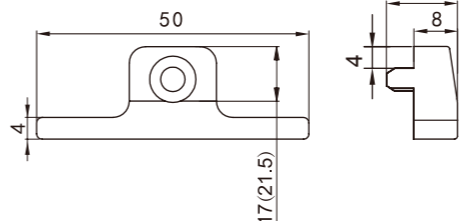

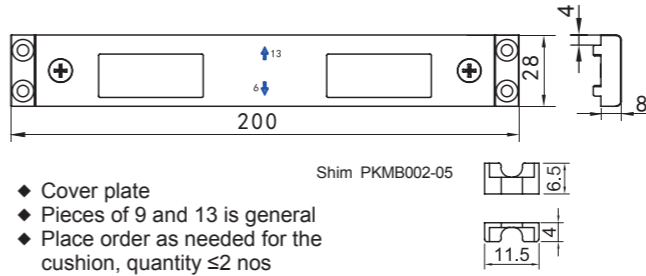

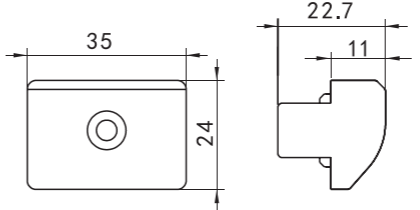
	<p>PXK00113</p> 
	<p>PXK00209</p> 
	<p>PSK101</p> 
	<p>PSK002</p> 
	<p>PZCZ00109 PZCZ00209 PZCZ00309</p>  <p>◆ Supporting block</p>

Note: For order quantity less than 1000 sets with standard color, the production time symbol ★★ < 7days, ★ < 10days, none > 15days. The actual production time should be evaluated and the instructions above is for reference only.

Frame Accessory Series


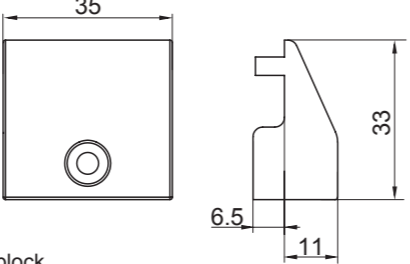

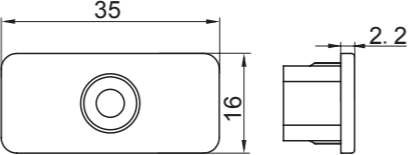

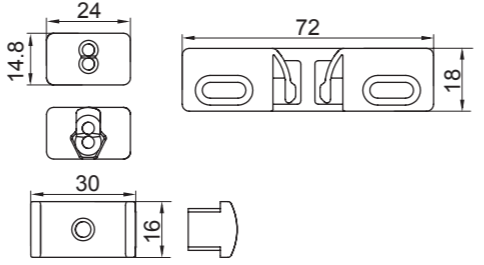

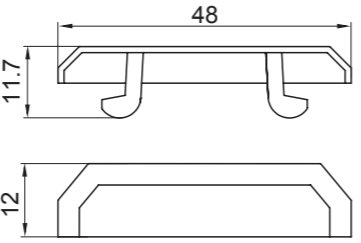

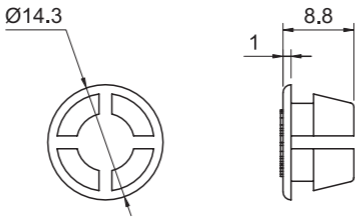
	<p>PZCZ00113</p>  <p>◆ Supporting block</p>
<p>★ PZCG00109</p> 	<p>PZCG00109 PZCG00113</p>  <p>◆ Supporting block</p>
	<p>PZCGR00109 PZCGL00109</p>  <p>◆ Supporting cap ◆ Left & Right (The picture is the right type)</p>
	<p>PZCGR00113 PZCGL00113</p>  <p>◆ Supporting cap ◆ Left & Right (The picture is the right type)</p>
	<p>PZCG00209 PZCG00213</p>  <p>◆ Supporting cap</p>

Frame Accessory Series

	<p>PZCZ004</p>  <p>◆ Supporting block</p>
	<p>PZCZ00509 PZCZ00513A</p>  <p>◆ Supporting block ◆ Suitable for fire-resistant open-in side-hung windows</p>
	<p>PFWK00109A PFWK00113B</p>  <p>◆ Anti-misoperation block</p>
	<p>PKMB002</p>  <p>◆ Cover plate ◆ Pieces of 9 and 13 is general ◆ Place order as needed for the cushion, quantity ≤2 nos</p>
	<p>PTSK001</p>  <p>◆ Lifting block</p>

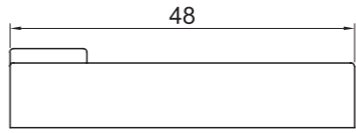
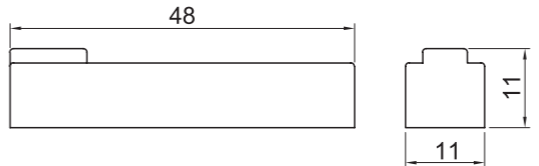
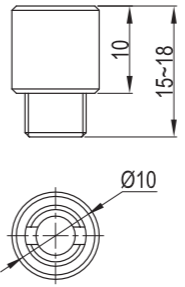
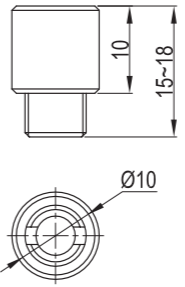
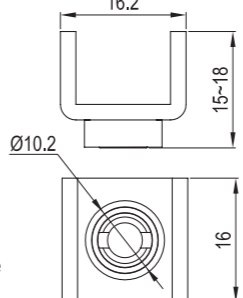
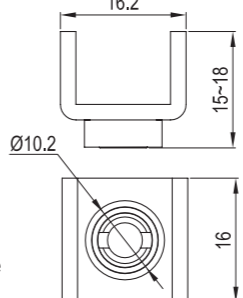
Note: For order quantity less than 1000 sets with standard color, the production time symbol ★★ < 7days, ★ < 10days, none > 15days. The actual production time should be evaluated and the instructions above is for reference only.

Frame Accessory Series

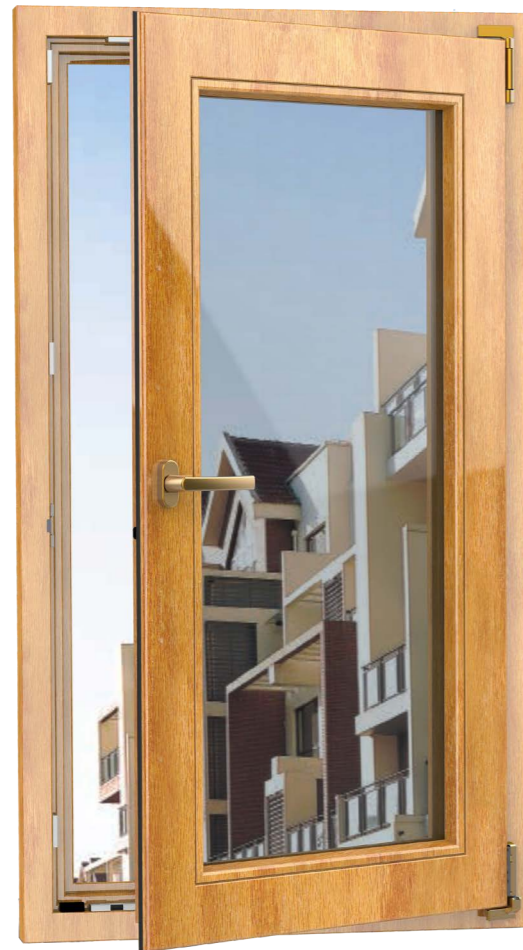
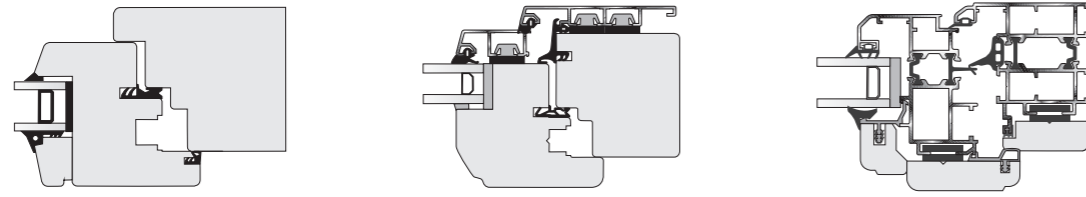
	<p>PTSK002</p>  <p>◆ Lifting block</p>
	<p>PTSD001</p>  <p>◆ Lifting block</p>
	<p>PKK001</p>  <p>◆ Fixing block</p>
	<p>PFSG001</p>  <p>◆ Water cap</p>
	<p>PKG001</p>  <p>◆ Hole cap</p>

Note: For order quantity less than 1000 sets with standard color, the production time symbol ★★ < 7days, ★ < 10days, none > 15days. The actual production time should be evaluated and the instructions above is for reference only.

Frame Accessory Series

	<p>PCDQXWK001</p>  <p>◆ Limiting block ◆ Realize transmitter 90° limiting</p>
	<p>PKLJK02</p>  <p>◆ Frame connector ◆ Suitable for fire-resistant open-in side-hung windows ◆ Applicable height adjustable</p>
	<p>PSLJK02</p>  <p>◆ Sash connecting block ◆ Suitable for fire-resistant open-in side-hung windows ◆ Applicable height adjustable</p>

Wooden Window / Composite Window



Wooden window/Composite Hardware series: Suitable for all kinds of windows, surface treatment for visual hardware adopts bronze color with weather resistance. Hardware used in drive or transmission system adopts surface treatment of advanced anticorrosive electroplating. The surface treatment shows high performance of solid Wood and composite profile.

Wooden Window / Composite Window

Wooden Window / Composite Window Configuration

20-1、WCPX100Series, Turn&Tilt system of Solid Wood.....P162-163

20-2、WCPX200 series solid wood/aluminum clad wood concealed open in top hung window hardware systemP164-165

20-3、WCXP100 Series, Aluminium-clad Wood window.....P166-167

The Instruction of Turn-and-Tilt window and Tilt-and-Turn Window systemP168-169

20-4、WCPN100 Series, Open-in Side-hung System of Solid Wood/Aluminium-clad Wood window.....P170-171

20-5、LWCPX100 Series, Turn&Tilt system of Wood-clad.....P172-173

20-6、LWCPX200 series wood clad Aluminum concealed open in top hung window hardware systemP174-175

20-7、LWCPX100 Series, Turn&Tilt system of Wood-clad.....P176-177

20-8、LWCXP100 Series, Wood-clad Aluminium open-in side-hung window.....P178-179

Product Series

Pivot Hinge SeriesP180

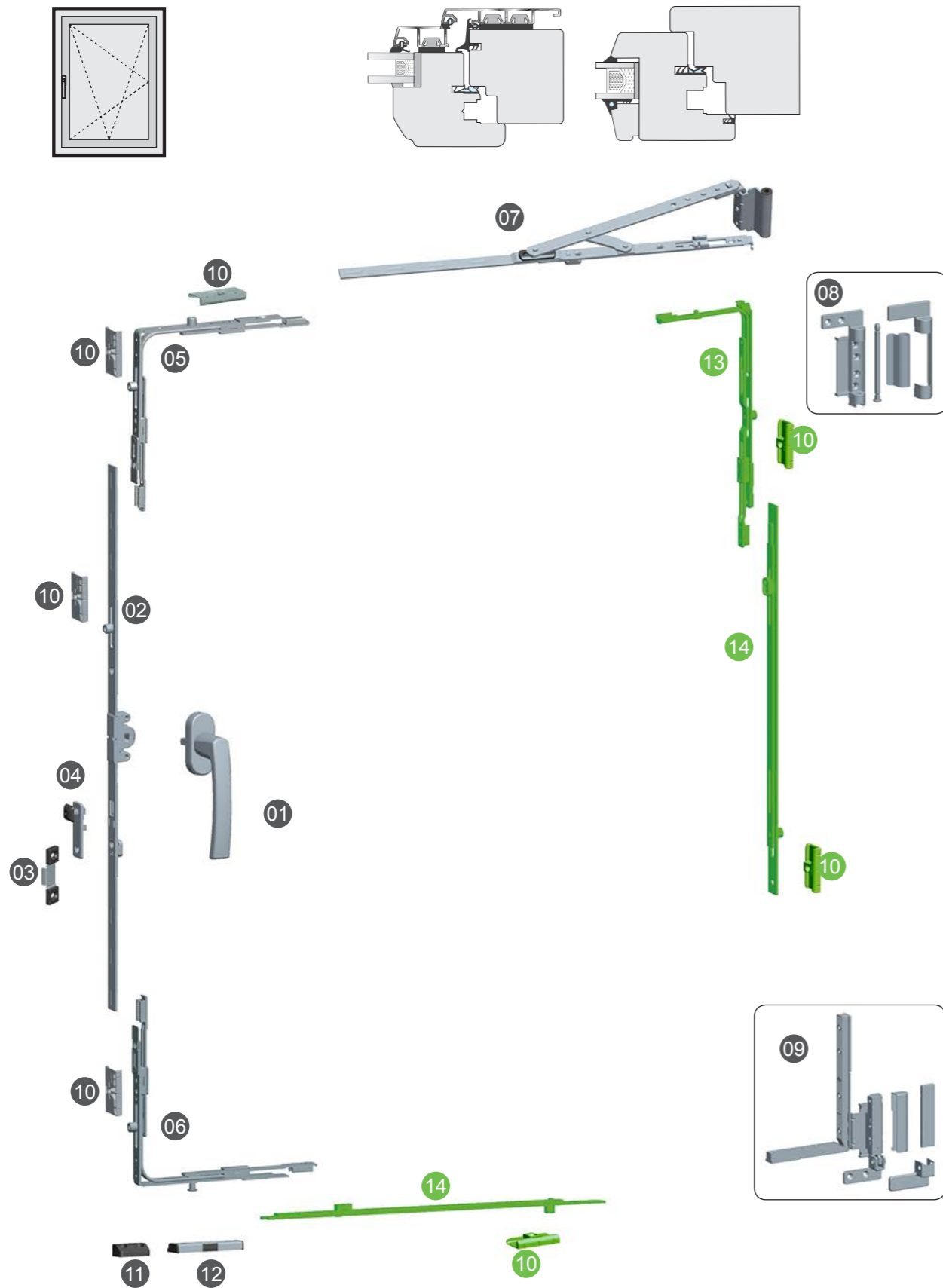
Transmitter Series Pull Rod、 Limiting Piece SeriesP181

Transmitter SeriesP182

Door lock SeriesP183

Frame Accessory SeriesP184-186

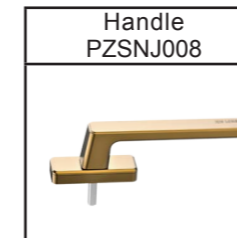
20-1、WCPX100 Series Turn-and-Tilt Window



Hardware Configuration for WCPX100 Series

Number	Product Name	Code	QTY	Remark
01	Handle	PZSN006	1	Optional, please indicate the color while placing order
02	Transmitter	NCDQN51509-12	1	Depends on window system
03	Anti-misoperation block	PFWK004	1	
04	Anti-misoperation device	PFWQ002	1	
05	Corner device	NPZJQ204	1	Left & Right
06	Corner device	NZJQ201	1	
07	Connector rod	NLGNXR10904-06	1	Left & Right, divided into 9、13series
08	Upper pivot hinge	NHYSNR002	1	Left & Right, please indicate the color while placing order
09	Bottom pivot hinge	NHYXNR0029	1	Left & Right, divided into 9、13series, please indicate the color while placing order
10	Locking plate	PSK00424	4	Depends on the quantity of locking points
11	Lifting block	WTSK001	1	
12	Rotated lock block	NQZSZ00424	1	
13	Corner device	NPZJQ203	1	
14	Side transmission rod	NPBCDG004	2	

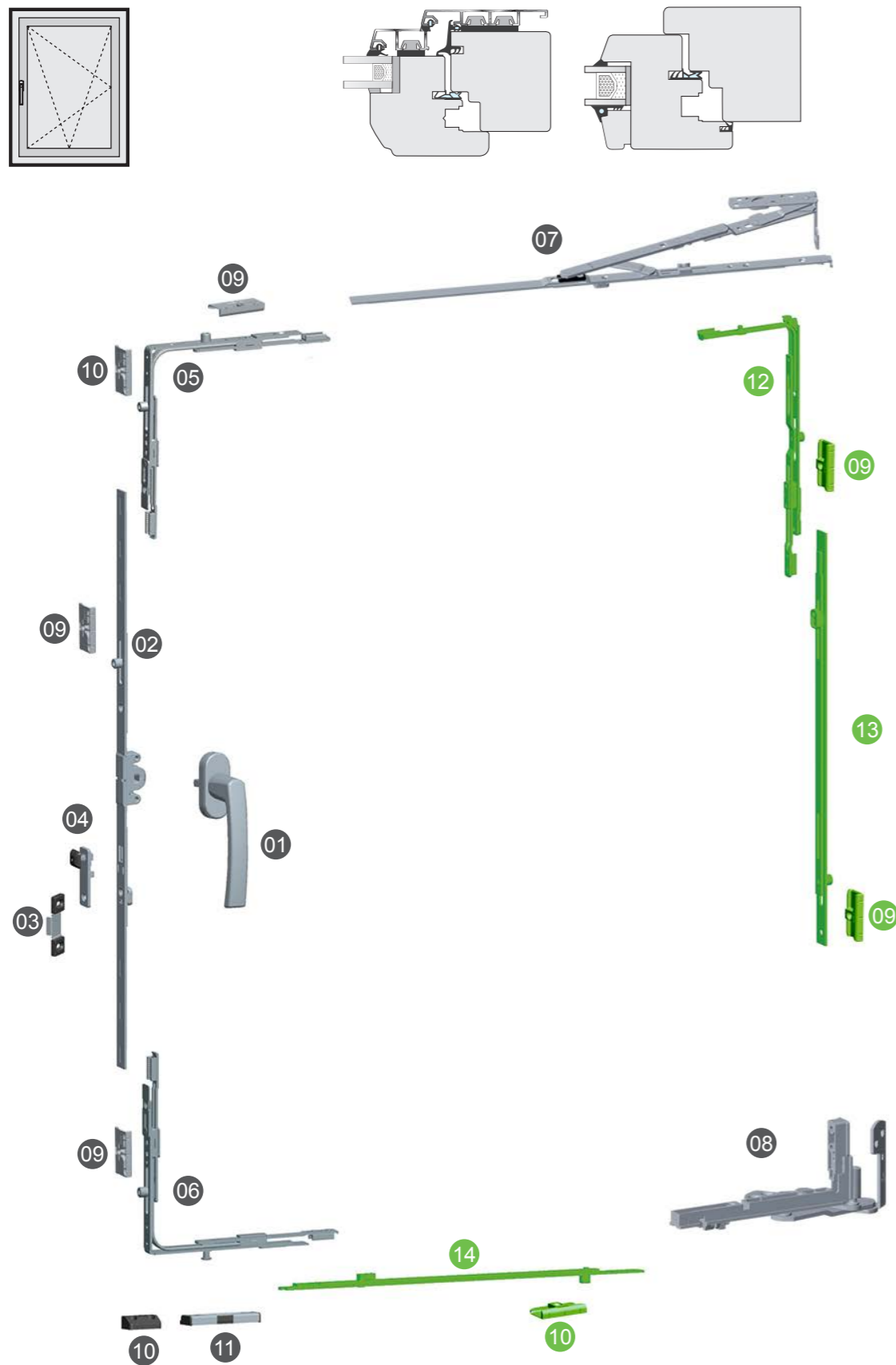
Optional Handle



Configuration instruction

- Above configuration is applicable to "9" series PVC profile , besides there is "13" series configuration.
- Items in green are optional.
- This configuration is applicable to (including the selective items) sash with height ranged from 901mm to 1200mm and width ranged from 430mm to 600mm. this system can meet the requirement of the sash groove height 570mm-1800mm and the width 430mm-1000mm, according to the parameters of each accessory. for details, please refer to the product series of this catalogue. it is recommended to keep the window ratio (width/height).(W)1:1.5(H)
- The maximum load bearing capacity of this configuration is 150kg, the load bearing capacity depends on the pivot hinge, please refer to pivot hinge series:
the sash weight (including the weight of glass, sash profile and other accessories) X1.4 (safety coefficient) ≤ the maximum load bearing capacity of the pivot hinge.
- The above is only for reference. please consult our technical department for sepecific requierment.
- Every 5000 times of repeated opening and closing lubrication maintenance, to ensure the normal service life of products.

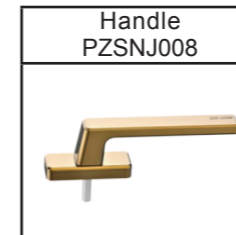
20-2、 WCXP200 Series solid wood/aluminum clad wood concealed turn and tilt Window



Hardware Configuration for WCXP100 Series

Number	Product Name	Code	QTY	Remark
01	Handle	PZSN006	1	Optional, please indicate the color while placing order
02	Transmitter	NCDQN51509-12	1	Depends on window system
03	Anti-misoperation block	PFWK004	1	Left & Right
04	Anti-misoperation device	PFWQ002	1	
05	Corner device	NPZJQ204	1	Optional
06	Corner device	NZJQ201	1	
07	Concealed connector rod	PYLGNXR005905-07	1	Left & Right, divided into9、 13series
08	Concealed Bottom hinge	PYHYXR0049P	1	Left & Right
09	Locking plate	PSK00424	7	Depends on the quantity of locking points
10	Lifting block	WTSK001	1	
11	Rotated lock block	NQZSZ00424	1	
12	Corner device	NPZJQ203	1	
13	Side transmission rod	NPBCDG004	2	

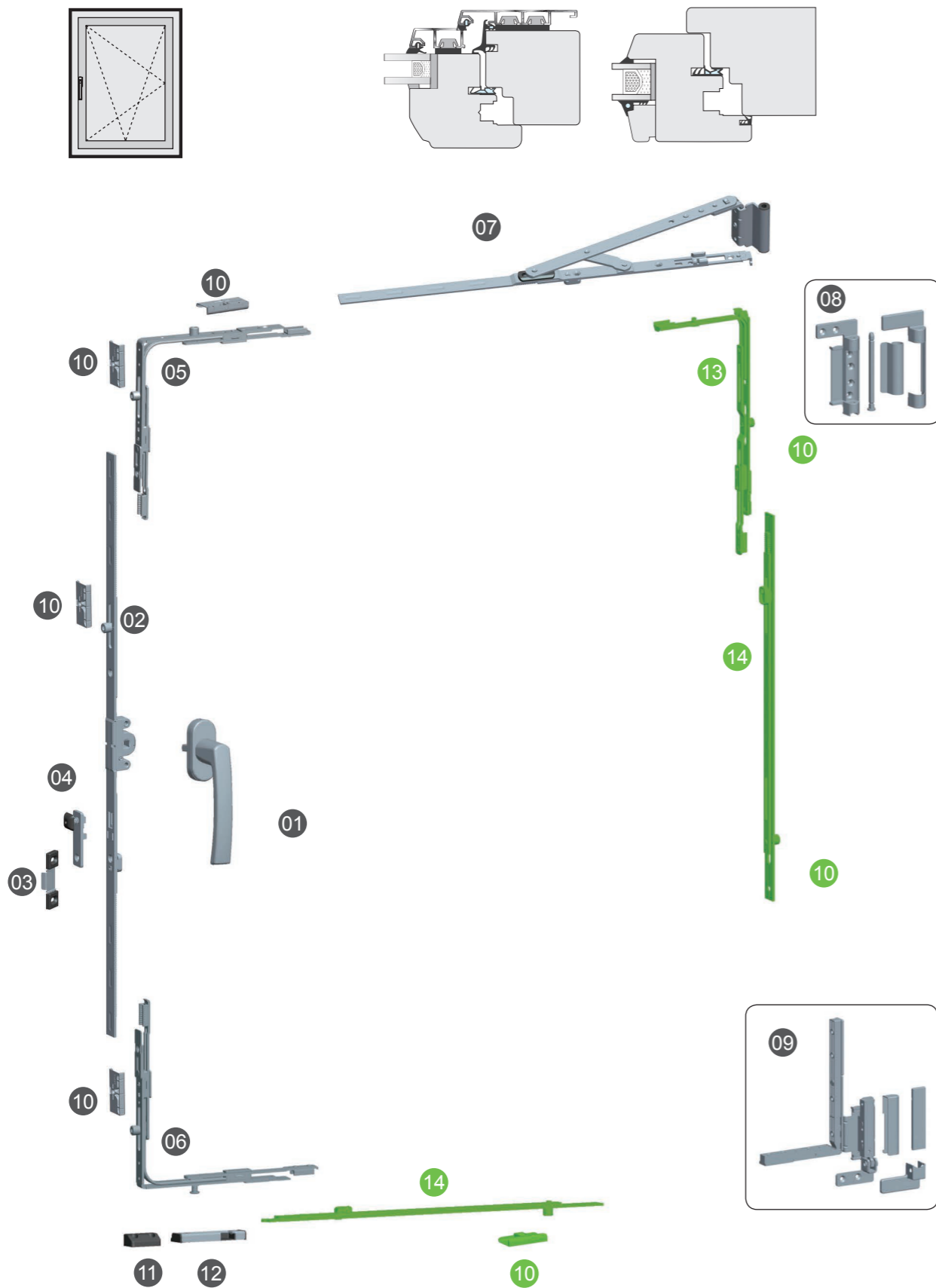
Optional Handle



Configuration instruction

- Above configuration is applicable to "9" series PVC profile , besides there is "13" series configuration.
- Items in green are optional.
- This configuration is applicable to (including the selective items) sash with height ranged from 901mm to 1200mm and width ranged from 520mm to 720mm. this system can meet the requirement of the sash groove height 570mm-1800mm and the width 410mm-720mm, according to the parameters of each accessory. for details, please refer to the product series of this catalogue. it is recommended to keep the window ratio (width/height).(W)1:1.5(H)
- The maximum load bearing capacity of this configuration is 90kg, the load bearing capacity depends on the pivot hinge, please refer to pivot hinge series:
The sash weight (including the weight of glass, sash profile and other accessories) X1.4 (safety coefficient) ≤the maximum load bearing capacity of the pivot hinge.
- The above is only for reference. please consult our technical department for sepecific requierment.
- Every 5000 times of repeated opening and closing lubrication maintenance, to ensure the normal service life of products.

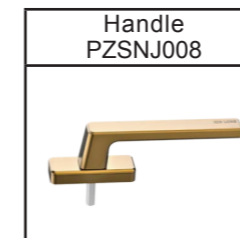
20-3、WCXP100 Series Tilt-and-Turn Window



Hardware Configuration for WCXP100 Series

Number	Product Name	Code	QTY	Remark
01	Handle	PZSN006	1	Optional, please indicate the color while placing order
02	Transmitter	NCDQN51509-12	1	Depends on window system
03	Anti-misoperation block	PFWK004	1	
04	Anti-misoperation device	PFWQ002	1	
05	Corner device	NPZJQ204	1	Optional
06	Corner device	NZJQ201	1	
07	Connector rod	NLGXNR10904-06	1	Left & Right, divided into9、13series
08	Upper pivot hinge	NHYSNR002	1	Left & Right, please indicate the color while placing order
09	Bottom pivot hinge	NHYXNR0029	1	Left & Right, divided into9、13series, please indicate the color while placing order
10	Locking plate	PSK00424	4	Depends on the quantity of locking points
11	Lifting block	WTSK001	1	
12	Rotated lock block	NQZSZR00424	1	
13	Corner device	NPZJQ203	1	
14	Side transmission rod	NPBCDG004	2	

Optional Handle



Configuration instruction

1. Above configuration is applicable to "9" series PVC profile , besides there is "13" series configuration.
2. Items in green are optional.
3. This configuration is applicable to (including the selective items) sash with height ranged from 901mm to 1200mm and width ranged from 430mm to 600mm. this system can meet the requirement of the sash groove height 570mm-1800mm and the width 430mm-1000mm, according to the parameters of each accessory. for details, please refer to the product series of this catalogue. it is recommended to keep the window ratio (width/height).(W):1.5(H)
4. The maximum load bearing capacity of this configuration is 150kg, the load bearing capacity depends on the pivot hinge, please refer to pivot hinge series:
The sash weight (including the weight of glass, sash profile and other accessories) X1.4 (safety coefficient) ≤ the maximum load bearing capacity of the pivot hinge.
5. The above is only for reference. please consult our technical department for sepecific requierment.

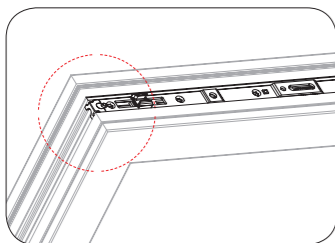
Tilt and Turn & Turn and Tilt Window Hardware System Characteristics
Instruction for Wooden Profile/ Aluminum-wooden profile

Drilling and installation

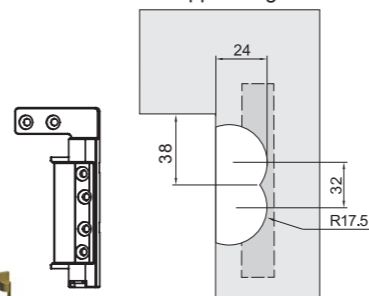
Instruction

1. Pivot hinge---drilling holes for bottom hinge frame with the duplicator WKMQ001 for wooden profile, to ensure the accuracy of the hole size , before the bottom hinge installation , ensure that all adjustment points are at the initial position.
2. Handle---drilling holes for open-in handle for wooden profile according to the center of the transmitter, square hole is concentric with handle spindle hole, the handle knob will be installed straightly with 90 degree.
3. Transmission rod surface with high anti-corrosion coating, corrosion resistance will be more stronger.

Positioning blocks need to be close to the U-groove tightly

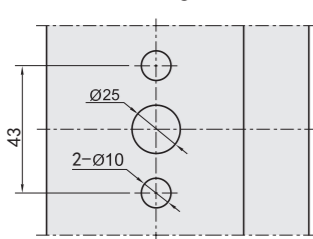


Drilling illustration for upper hinge

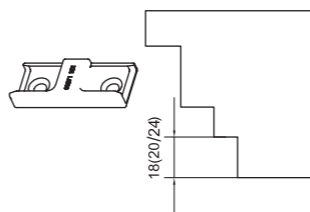


Drilling depth of upper hinge: 5mm

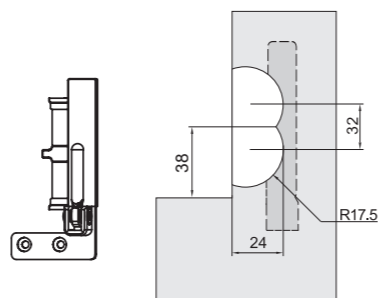
Handle drilling illustration



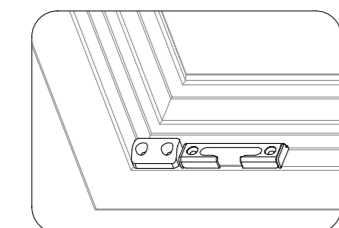
Striker for frame
 PSK00118A(18mm)
 PSK00220 (20mm)
 PSK00424(24mm)



Drilling illustration for bottom hinge



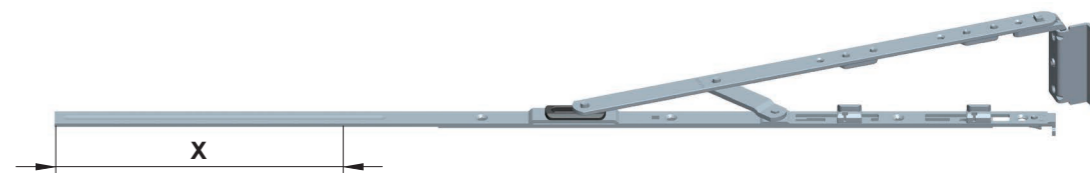
Drilling depth of bottom hinge:5mm



The installation location of tilting locking plate and overturn supporter

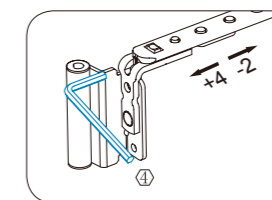
Adjust and cutting

Wooden profile connecting rod cutting / adjustment illustration

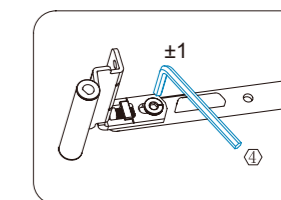


Code	Applicable width	X(Maximum Cutting dimension)	Remarks
NLGNXR10904-06	430-600	170	The same applicable width, the same X
NLGNXR10906-08	601-800	200	
NLGNXR10908-10	801-1000	200	

◆ The cutting mould refer to page 189

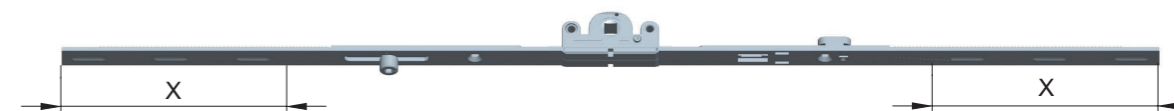


Effectively reduce the sash inclining by adjusting screw



Can effectively adjust the air-tightness, water-tightness and the compaction of the frame and sash

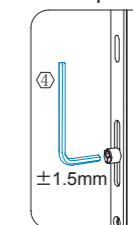
Wooden profile transmitter cutting / adjustment illustration



Code	Applicable width	Length of rod	X(Maximum Cutting dimension)	Remarks
NCDQN51507-09	700-900	602	105	
NCDQN51509-12	901-1200	902	150	
NCDQN51512-14	1201-1450	1150	124	
NCDQN51512-16	1201-1600	1302	200	

◆ The cutting mould refer to page 189

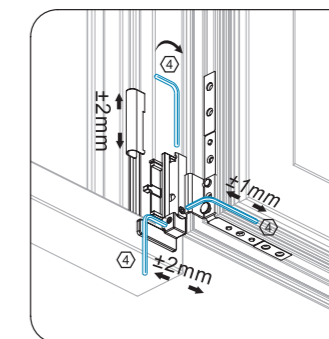
Lock point



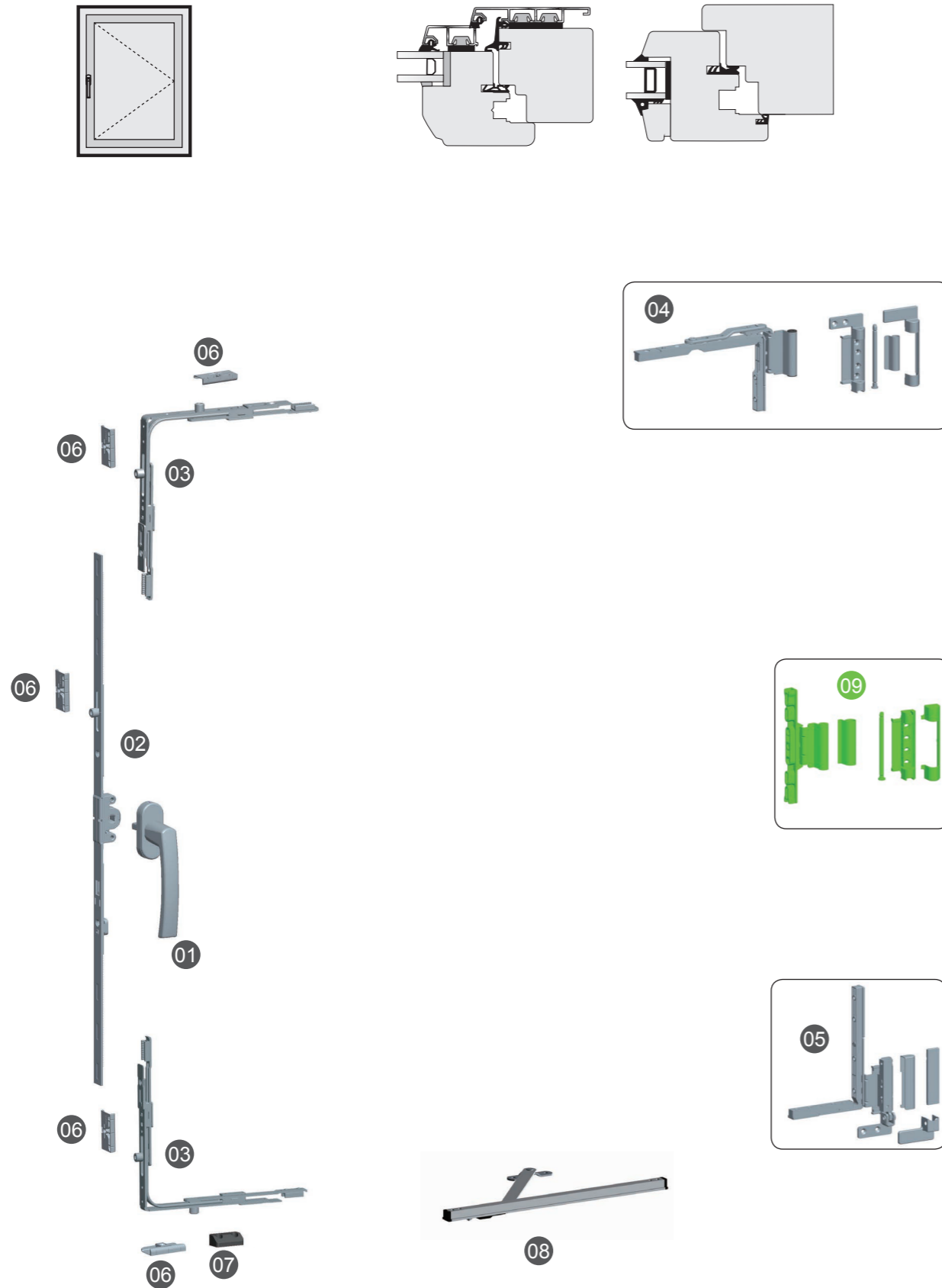
Adjusting the amount of overlap between locking point and locking plate, improved the performance of the tightness for the entire window

Wooden profile bottom hinge installation / adjustment illustration

3D hinge can improve the air-tightness and water-tightness, greatly reducing the installation errors



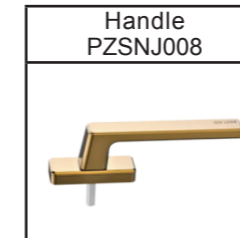
20-4、WCPN100 Series Open-in Side Hung Window



Hardware Configuration for WCPN100 Series

Number	Product Name	Code	QTY	Remark
01	Handle	PZSN006	1	Optional, please indicate the color while placing order
02	Transmitter	NCDQN51509-12	1	Depends on window system
03	Corner device	NPZJQ204	2	Optional
04	Upper corner hinge	NHYSNR0029	1	Left & Right, divided into 9、13series, please indicate the color while placing order
05	Bottom pivot hinge	NHYXNR0029	1	
06	Locking plate	PSK00424	5	Depends on the quantity of locking points
07	Lifting block	WTSK001	1	
08	Limiter	NFC00112	1	Depends on window system
09	Mid pivot hinge	NHYZ0029	1	Please indicate the color while placing order

Optional Handle

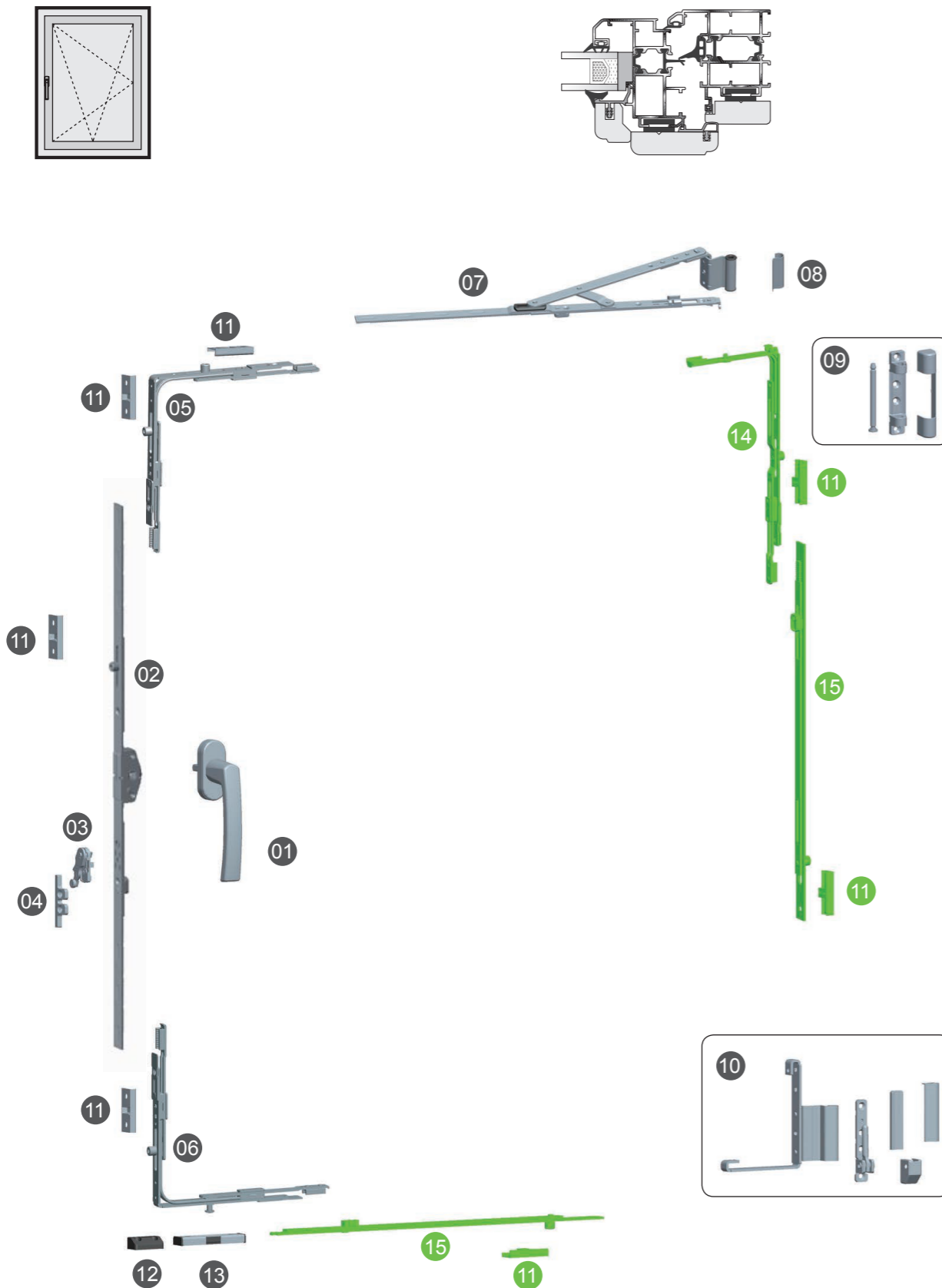


Configuration instruction

- Above configuration is applicable to "9" series PVC profile , besides there is "13" series configuration.
- Items in green are optional.
- This configuration is applicable to (including the selective items) sash with height ranged from 901mm to 1200mm and width ranged from 650mm to 1000mm. this system can meet the requirement of the sash groove height 570mm-1800mm and the width 450mm-1000mm, according to the parameters of each accessory. for details, please refer to the product series of this catalogue. it is recommended to keep the window ratio (width/height).(W)1:1.5(H)
- The maximum load bearing capacity of this configuration is 150kg, the load bearing capacity depends on the pivot hinge, please refer to pivot hinge series:
The sash weight (including the weight of glass, sash profile and other accessories) X1.4 (safety coefficient) ≤ the maximum load bearing capacity of the pivot hinge.
- The above is only for reference. please consult our technical department for sepecific requirement.

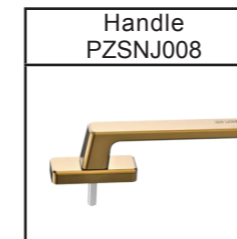
20-5、LWCPX100 Series Turn-and-Tilt Window

Hardware Configuration for LWCPX100 Series



Number	Product Name	Code	QTY	Remark
01	Handle	PZSN006	1	Optional, please indicate the color while placing order
02	Transmitter	NPCDQN41509-12	1	Depends on window system
03	Anti-misoperation device	PFWQR001	1	Left & Right
04	Anti-misoperation block	PFWK00118A	1	
05	Corner device	NPZJQ204	1	Optional
06	Corner device	NZJQ201	1	
07	Connector rod	NPLGNXR10904-06	1	Left & Right, divided into9、13series
08	Outer cover	PHYSN002-03A	1	Please indicate the color while placing order
09	Upper pivot hinge	NPHYSN003	1	
10	Bottom pivot hinge	NPHYXNR0109	1	Left & Right, divided into9、13series, please indicate the color while placing order
11	Locking plate	PSK00118A	4	Depends on the quantity of locking points
12	Lifting block	WTSK001	1	
13	Rotated lock block	NQZSZ00318	1	
14	Corner device	NPZJQ203	1	
15	Side transmission rod	NPBCDG004	2	

Optional Handle

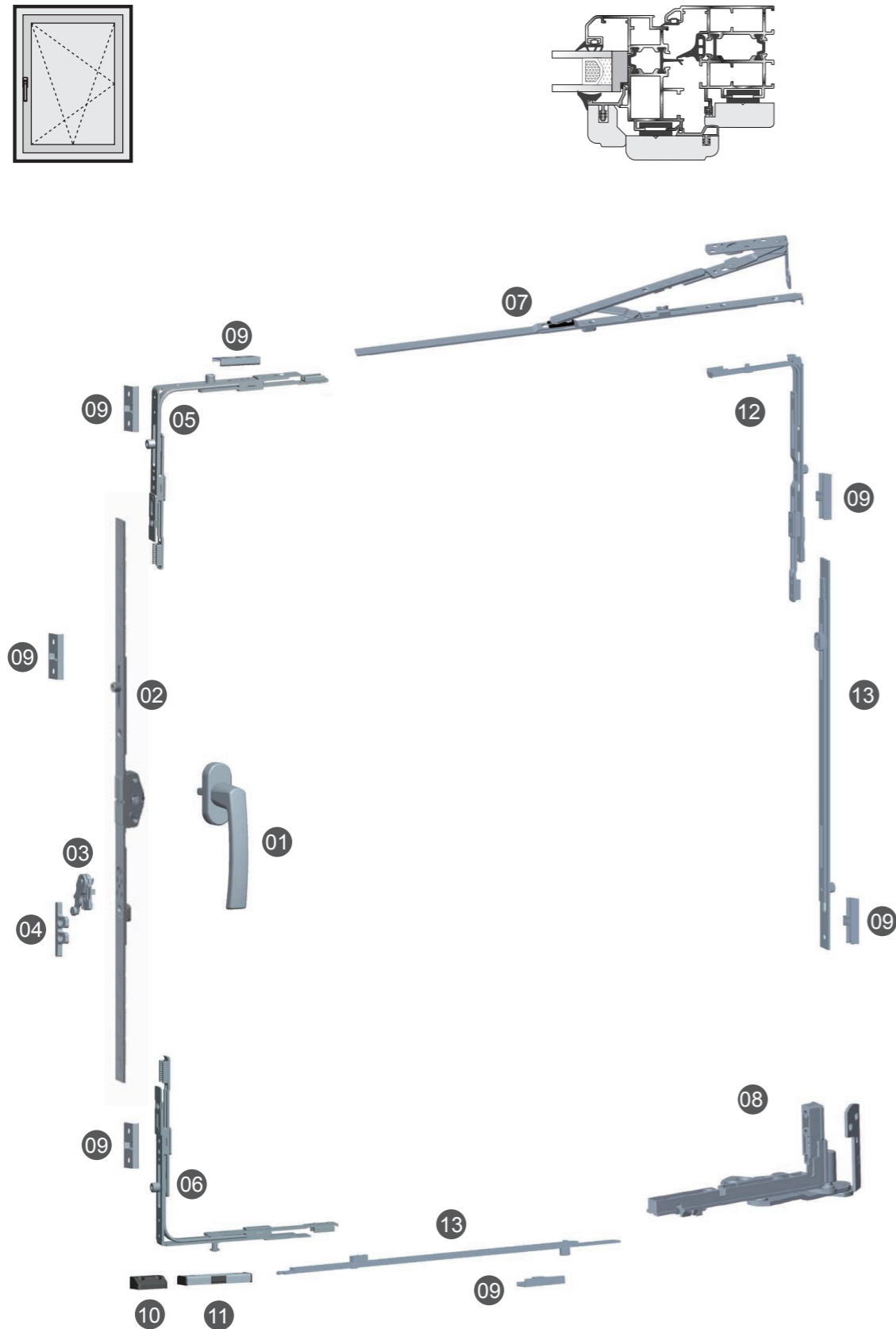


Configuration instruction

- Above configuration is applicable to "9" series PVC profile , besides there is "13" series configuration.
- Items in green are optional.
- This configuration is applicable to (including the selective items) sash with height ranged from 901mm to 1200mm and width ranged from 430mm to 600mm. this system can meet the requirement of the sash groove height 570mm-1800mm and the width 430mm-1000mm, according to the parameters of each accessory. for details, please refer to the product series of this catalogue. it is recommended to keep the window ratio (width/height).(W)1:1.5(H)
- The maximum load bearing capacity of this configuration is 90kg,the load bearing capacity depends on the pivot hinge, please refer to pivot hinge series:
The sash weight (including the weight of glass, sash profile and other accessories) X1.4 (safety coefficient) ≤the maximum load bearing capacity of the pivot hinge.
- The above is only for reference. please consult our technical department for sepecific requierment.

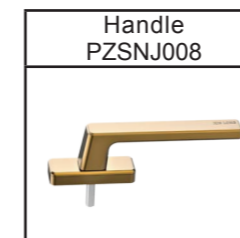
20-6、LWCPX200 series wood clad Aluminum concealed turn and tilt window

Hardware Configuration for LWCXP200 Series



Number	Product Name	Code	QTY	Remark
01	Handle	PZSN006	1	Optional, please indicate the color while placing order
02	Transmitter	NPCDQN41509-12	1	Depends on window system
03	Anti-misoperation device	PFWQR001	1	Left & Right
04	Anti-misoperation block	PFWK00118A	1	
05	Corner device	NPZJQ204	1	Optional
06	Corner device	NZJQ201	1	
07	Concealed Connector rod	PYLGXR004905-07P	1	Left & Right, divided into9、13series
08	Concealed Bottom pivot hinge	PYHYXR0049P	1	Left & Right
09	Locking plate	PSK00118A	7	Depends on the quantity of locking points
10	Lifting block	WTSK001	1	
11	Rotated lock block	NQZSZ00318	1	
12	Corner device	NPZJQ203	1	
13	Rotated lock block	NPBCDG004	2	

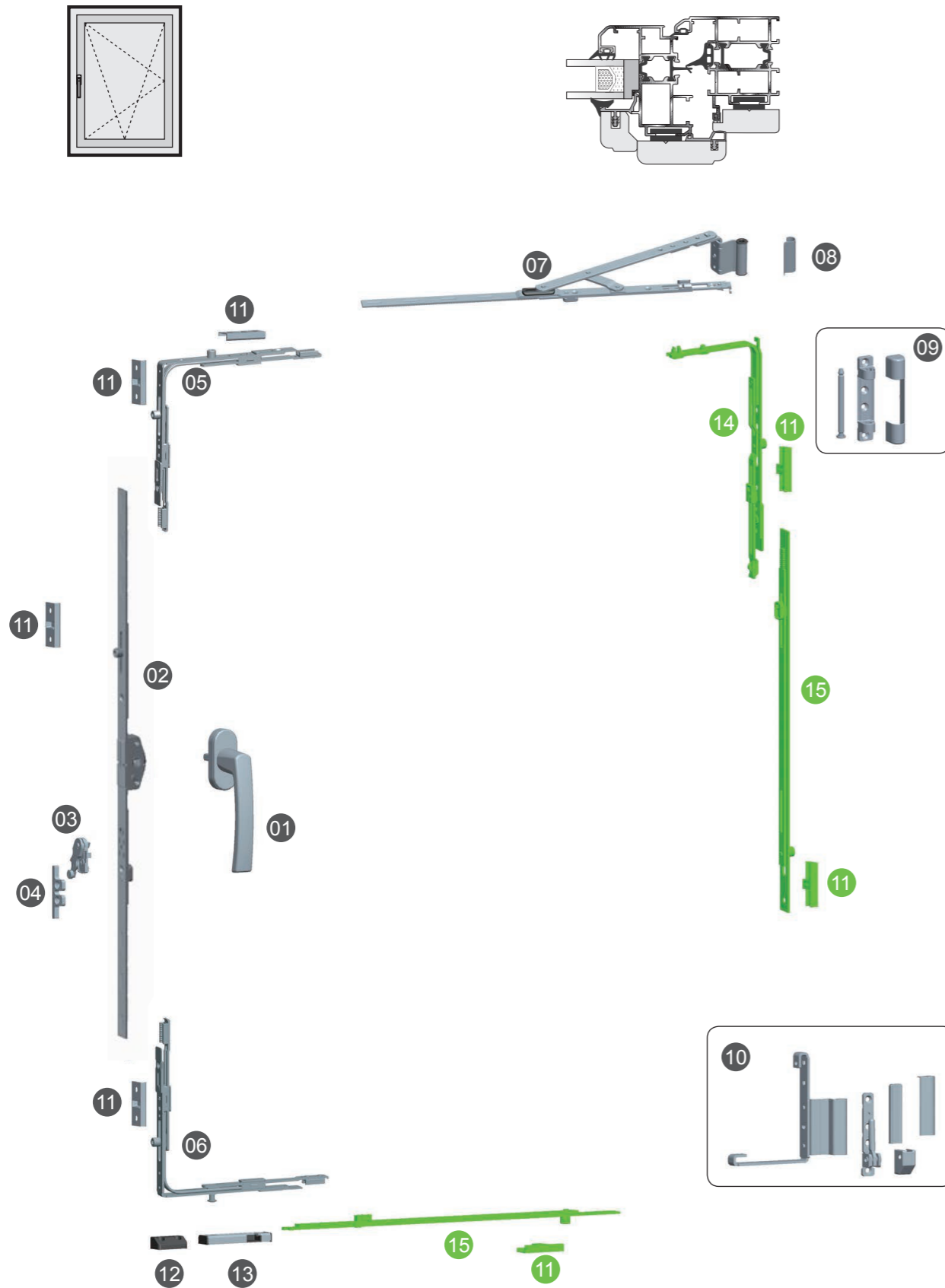
Optional Handle



Configuration instruction

- Above configuration is applicable to "13" series PVC profile , besides there is "9" series configuration.
- Items in green are optional.
- This configuration is applicable to (including the selective items) sash with height ranged from 901mm to 1200mm and width ranged from 520mm to 720mm. this system can meet the requirement of the sash groove height 570mm-1800mm and the width 410mm-720mm, according to the parameters of each accessory. for details, please refer to the product series of this catalogue. it is recommended to keep the window ratio (width/height).(W)1:1.5(H)
- The maximum load bearing capacity of this configuration is 90kg,the load bearing capacity depends on the pivot hinge, please refer to pivot hinge series:
the sash weight (including the weight of glass, sash profile and other accessories) X1.4 (safety coefficient) ≤the maximum load bearing capacity of the pivot hinge.
- The above is only for reference. please consult our technical department for sepecific requierment.
- Every 5000 times of repeated opening and closing lubrication maintenance, to ensure the normal service life of products.

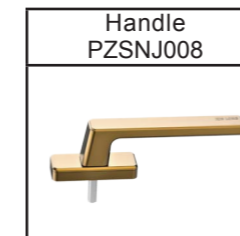
20-7、LWCXP100 Series Tilt-and-Turn Window



Hardware Configuration for LWCXP100 Series

Number	Product Name	Code	QTY	Remark
01	Handle	PZSN006	1	Optional, please indicate the color while placing order
02	Transmitter	NPCDQN41509-12	1	Depends on window system
03	Anti-misoperation device	PFWQR001	1	Left & Right
04	Anti-misoperation block	PFWK00118A	1	
05	Corner device	NPZJQ204	1	Optional
06	Corner device	NZJQ201	1	
07	Connector rod	NPLGXNR11304-06	1	Left & Right, divided into9、13series
08	Outer cover	PHYSN002-03A	1	Please indicate the color while placing order
09	Upper pivot hinge	NPHYSN003	1	
10	Bottom pivot hinge	NPHYXNR01013	1	Left & Right, divided into9、13series, please indicate the color while placing order
11	Locking plate	PSK00118A	4	Depends on the quantity of locking points
12	Lifting block	WTSK001	1	
13	Rotated lock block	NQZSZR00318	1	Left & Right
14	Corner device	NPZJQ203	1	
15	Side transmission rod	NPBCDG004	2	

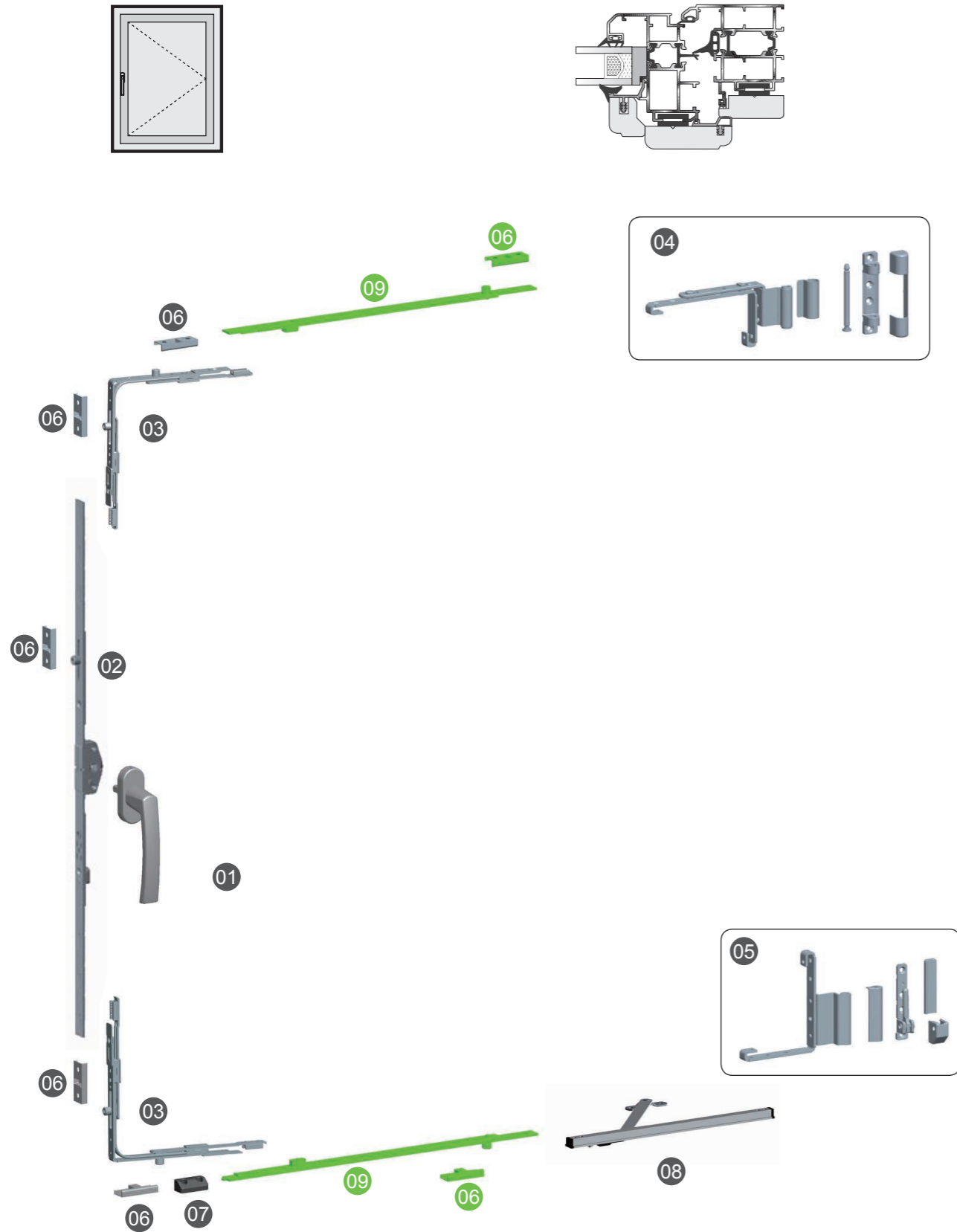
Optional Handle



Configuration instruction

- Above configuration is applicable to "13" series PVC profile , besides there is "9" series configuration.
- Items in green are optional.
- This configuration is applicable to (including the selective items) sash with height ranged from 901mm to 1200mm and width ranged from 430mm to 600mm. this system can meet the requirement of the sash groove height 570mm-1800mm and the width 430mm-1000mm, according to the parameters of each accessory. for details, please refer to the product series of this catalogue. it is recommended to keep the window ratio (width/height).(W)1:1.5(H)
- The maximum load bearing capacity of this configuration is 90kg,the load bearing capacity depends on the pivot hinge, please refer to pivot hinge series:
the sash weight (including the weight of glass, sash profile and other accessories) X1.4 (safety coefficient) ≤the maximum load bearing capacity of the pivot hinge.
- The above is only for reference. please consult our technical department for sepecific requiemnt.

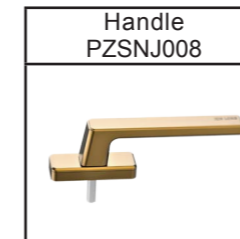
20-8、 LWCPN100 Series Open-in Side Hung Window



Hardware Configuration for LWCPN100 Series

Number	Product Name	Code	QTY	Remark
01	Handle	PZSN006	1	Optional, please indicate the color while placing order
02	Transmitter	NPCDQN41509-12	1	Depends on window system
03	Corner device	NPZJQ204	2	Optional
04	Upper corner hinge	NPHYSNR00313	1	Left & Right, divided into 9, 13 series, please indicate the color while placing order
05	Bottom pivot hinge	NPHYXNR01013	1	
06	Locking plate	PSK00118A	5	Depends on the quantity of locking points
07	Lifting block	WTSK001	1	
08	Limiter	Refer to Limiter Series	1	Depends on window system
09	Side transmission rod	NPBCDG004	2	


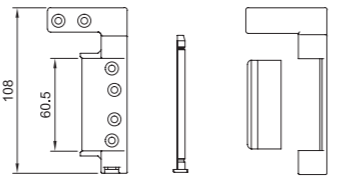

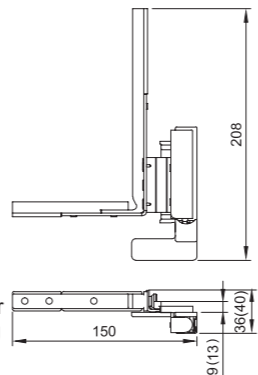

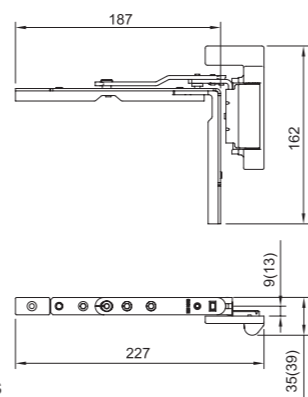
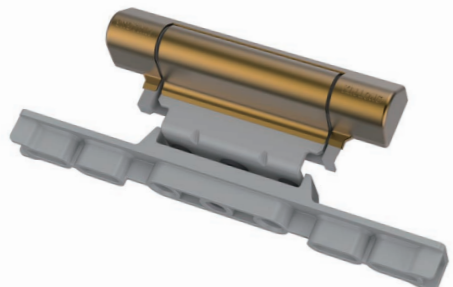
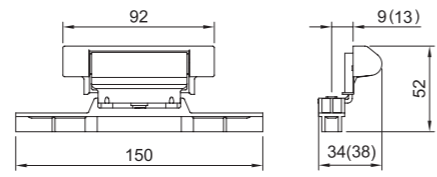
Optional Handle



Configuration instruction

- Above configuration is applicable to "13" series PVC profile , besides there is "9" series configuration.
- Items in green are optional.
- This configuration is applicable to (including the selective items) sash with height ranged from 901mm to 1200mm and width ranged from 650mm to 1000mm. this system can meet the requirement of the sash groove height 570mm-1800mm and the width 450mm-1000mm, according to the parameters of each accessory. for details, please refer to the product series of this catalogue. It is recommended to keep the window ratio (width/height).(W)1:1.5(H)
- The maximum load bearing capacity of this configuration is 90kg, the load bearing capacity depends on the pivot hinge, please refer to pivot hinge series:
the sash weight (including the weight of glass, sash profile and other accessories) X1.4 (safety coefficient) ≤ the maximum load bearing capacity of the pivot hinge.
- The above is only for reference. please consult our technical department for sepecific requiemant.


Pivot Hinge Series

	<p>NHYSNR002 NHYSNL002</p>  <ul style="list-style-type: none"> ◆ Upper pivot hinge ◆ Left & Right ◆ Used with bottom hinge or pull rod ◆ Please indicate the outer cover color while placing order ◆ Open-in windows & doors
	<p>NHYXNR0029 NHYXNR00213</p>  <ul style="list-style-type: none"> ◆ Bottom pivot hinge ◆ Left & Right ◆ Maximum load bearing capacity:150kg ◆ Please indicate the outer cover color while placing order ◆ Open-in windows & doors
	<p>NHYSNR0029 NHYSNR00213</p>  <ul style="list-style-type: none"> ◆ Upper pivot Hinge ◆ Used with bottom pivot hinge ◆ Left & Right ◆ Please indicate the outer cover color while placing order ◆ Open-in windows & doors
	<p>NHYZ0029 NHYZ00213</p>  <ul style="list-style-type: none"> ◆ Mid pivot hinge ◆ Please indicate the outer cover color while placing order ◆ Open-in windows & doors

Connecting Rod, Limiting Piece Series

Connecting Rod(Turn-and-Tilt Window Series)


◆ Left & Right



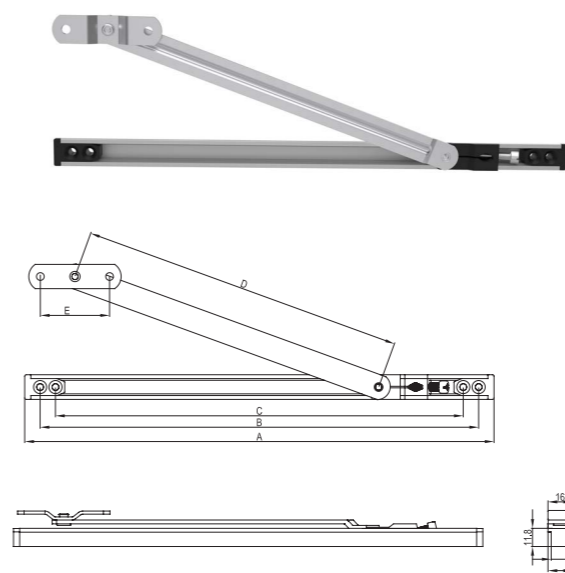
Applicable width	Series code	Applicable width	Series code
430 - 600	NLGNXR10904-06	430 - 600	NLGNXR11304-06
601 - 800	NLGNXR10906-08	601 - 800	NLGNXR11306-08
801 - 1000	NLGNXR10908-10	801 - 1000	NLGNXR11308-10

Connecting Rod(Tilt-and-Turn Window Series)

◆ Left & Right



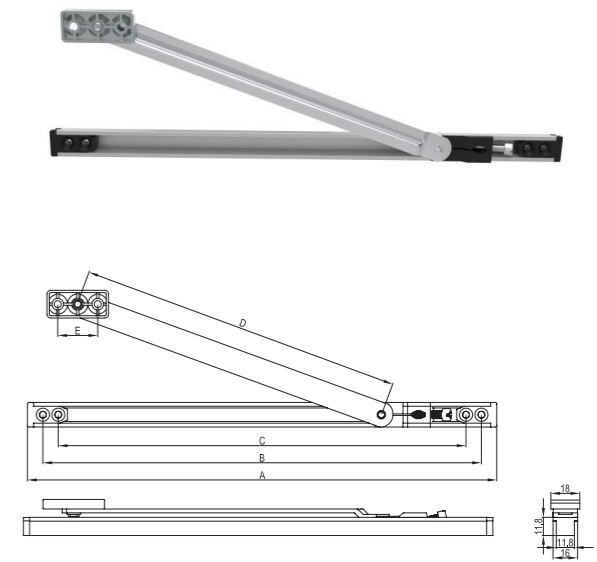
Applicable width	Series code	Applicable width	Series code
430 - 600	NLGXNR10904-06	430 - 600	NLGXNR11304-06
601 - 800	NLGXNR10906-08	601 - 800	NLGXNR11306-08
801 - 1000	NLGXNR10908-10	801 - 1000	NLGXNR11308-10



Assembly dimension(Unit :mm)

Type	A	B	C	D	E
NFC00108	203	183	163	165	45
NFC00110	254	234	214	210	45
NFC00112	305	285	265	255	45

Split structure



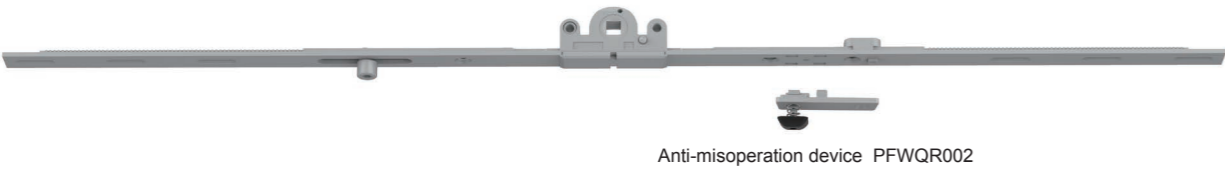
Assembly dimension(Unit :mm)

Type	A	B	C	D	E
NFC00208	203	183	163	165	26
NFC00210	254	234	214	210	26
NFC00212	305	285	265	255	26

Note: For order quantity less than 1000 sets with standard color, the Production Time Symbol ★★ < 7days, ★ < 10days, none > 15days, The actual production time should be evaluated and the instructions above is for reference only.

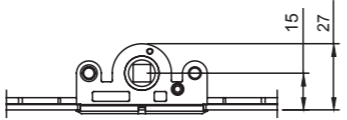
Transmitter Series

Backset is 15mm




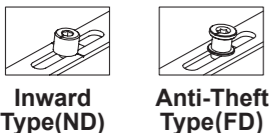
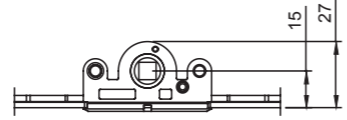
Anti-misoperation device PFWQR002

Transmitter not include Anti-misoperation device, anti-misoperation device needs to be ordered seperately.



Applicable height	Length of rod	Quantity of locking point	Series code	Remarks
490-730	430	0	NCDQN51505-07	Integrated Type Suitable for Open-in windows
700-900	602	1	NCDQN51507-09	
901-1200	902	1	NCDQN51509-12	
1201-1450	1150	1	NCDQN51512-14	
1201-1600	1302	1	NCDQN51512-16	

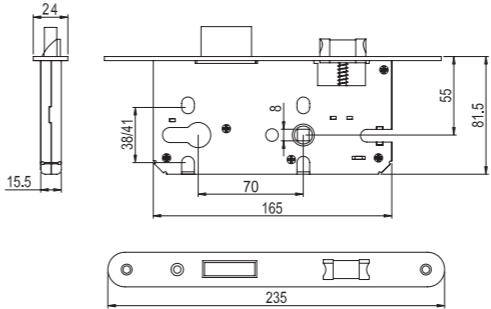
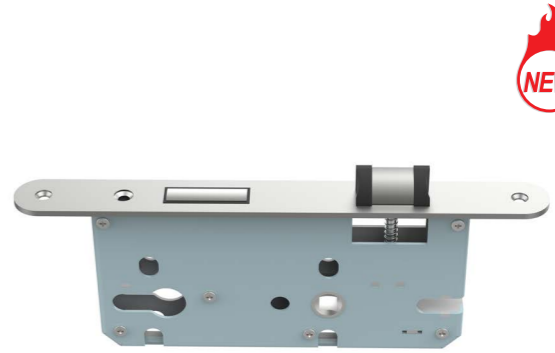
Backset is 15mm

Applicable height	Length of rod	Quantity of locking point	Series code		Remarks
			Inward type	Anti-theft type	
400-600	356	2	NCDQND41504	NCDQFD41504	Single side transmission type suitable for open-in side-hung windows
601-800	586	2	NCDQND41506	NCDQFD41506	
801-1000	786	2	NCDQND41508	NCDQFD41508	
1001-1200	986	3	NCDQND41510	NCDQFD41510	
1201-1400	1186	3	NCDQND41512	NCDQFD41512	
1401-1600	1386	4	NCDQND41514	NCDQFD41514	
1601-1800	1586	4	NCDQND41516	NCDQFD41516	
1801-2000	1786	4	NCDQND41518	NCDQFD41518	
2001-2200	1986	4	NCDQND41520	NCDQFD41520	

Note: For order quantity less than 1000 sets with standard color, the Production Time Symbol ★★ < 7days, ★ < 10days, none > 15days, The actual production time should be evaluated and the instructions above is for reference only.

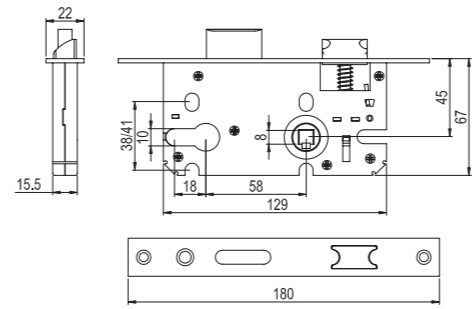
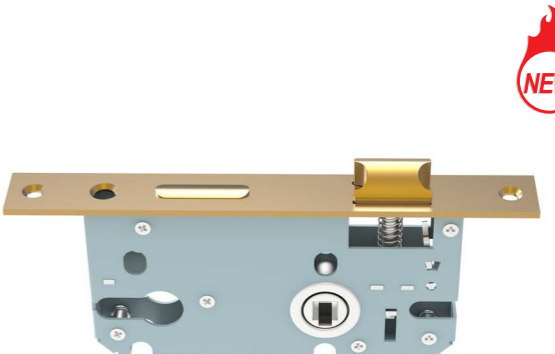
Door lock Series

◆ Includes lock strike plate

Applicable height	Length of rod	Centre distance	Series code	Remarks
1400-2800	300	55	PMS7255	Suitable for wooden doors

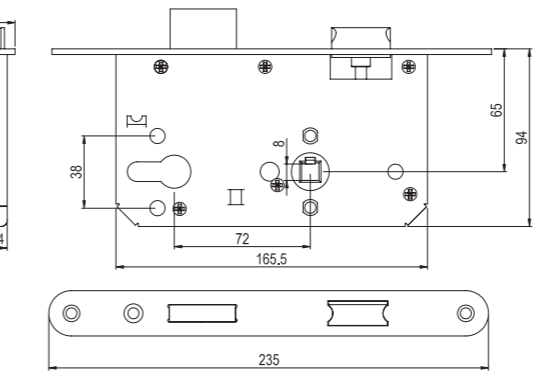

Mute type

◆ Includes lock strike plate
◆ Only for a small lock and lock cylinder selecting please refer to the lock hole figure size

Applicable height	Length of rod	Centre distance	Series code	Remarks
1400-2800	300	45	PMS5845	Suitable for wooden doors

Economical type


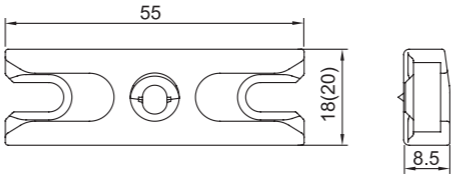

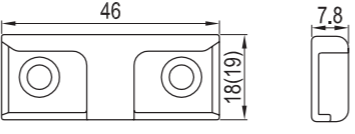

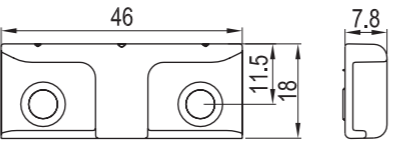

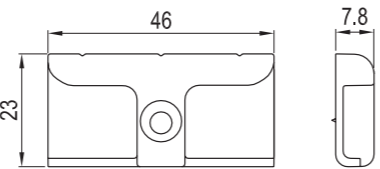



◆ Includes lock strike plate
◆ The refractory time 1.5h

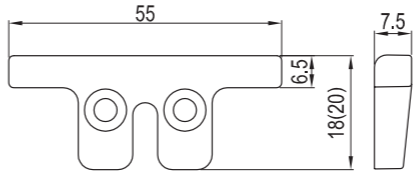

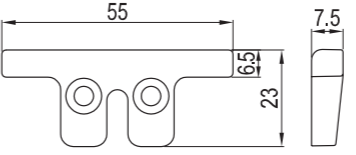

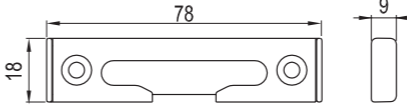
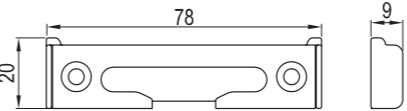

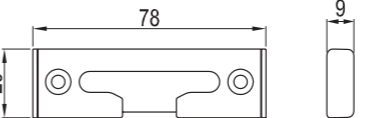
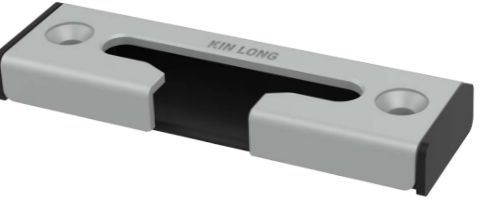
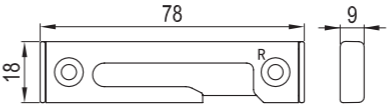
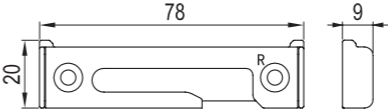
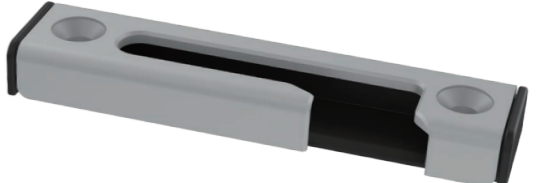
Applicable height	Length of rod	Centre distance	Series code	Remarks
1400-2800	300	65	PMS7265F	Suitable for fire rated doors

Fire rated type


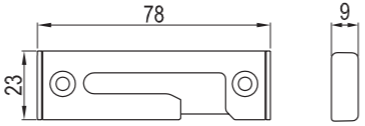

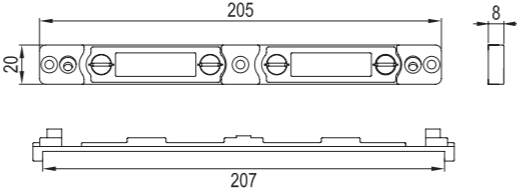

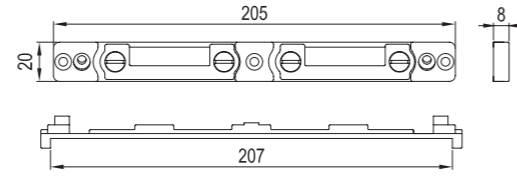
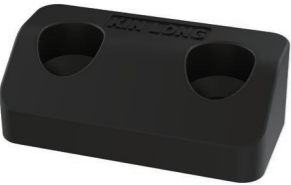
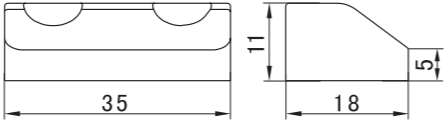

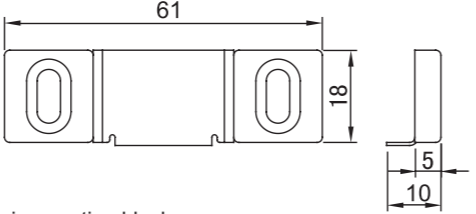
Frame Accessory Series

	<p>PSKFD00118 PSKFD00120</p>  <p>◆ Anti-thief locking plate</p>
	<p>PSK00118A PSK00220</p>  <p>PSK00118A</p> <p>◆ Locking plate</p>
	<p>PSK00318</p>  <p>◆ Locking plate</p>
	<p>PSK00424</p>  <p>◆ Locking plate</p>

Frame Accessory Series


 <p>◆ Anti-misoperation block</p>	<p>PFWK00118A PFWK00220A</p> 
 <p>◆ Anti-misoperation block</p>	<p>PFWK00324</p> 
 <p>NQZSZ00318</p> <hr/>  <p>NQZSZ00320</p> <p>◆ Tilt lock block</p>	<p>NQZSZ00318 NQZSZ00320</p> 
 <p>◆ Tilt lock block</p>	<p>NQZSZ00424</p> 
 <p>NQZSZR00318</p> <hr/>  <p>NQZSZR00320</p> <p>◆ Tilt lock block ◆ Left & Right, (The picture is the right type)</p>	<p>NQZSZR00318 NQZSZR00320</p> 


Frame Accessory Series

	<p>NQZSZR00424</p>  <ul style="list-style-type: none"> ◆ Tilt Lock block ◆ Left & Right, (The picture is the right type)
	<p>NKMB00109</p>  <ul style="list-style-type: none"> ◆ Cover plate ◆ Additional cushion can make it apply to fake mullion doors ◆ Additional cushion shall be ordered separately
	<p>NKBM00113</p>  <ul style="list-style-type: none"> ◆ Cover plate ◆ Additional cushion can make it apply to fake mullion doors ◆ Additional cushion shall be ordered separately
	<p>WTSK001</p>  <ul style="list-style-type: none"> ◆ Lifting block
	<p>PFWK004</p>  <ul style="list-style-type: none"> ◆ Anti-misoperation block

Note: For order quantity less than 1000 sets with standard color, the Production Time Symbol ★★ < 7days, ★ < 10days, none > 15days, The actual production time should be evaluated and the instructions above is for reference only.


Solution for High Quality Solid Wood Products






Higher Strength

Increasing the length of the hinge's part which is in the sash, and add the integral fixing block, to ensure the hardware and the profile connection is strong, also to make the appearance of the product more noble.




Secure Anti-Misoperation

New structure design of anti-misoperation device is available for both left and right and quick to install, and it can be effectively used with 9mm-14mm installation space to prevent mis-operation.



High Corrosion Resistance & Multi-Functions

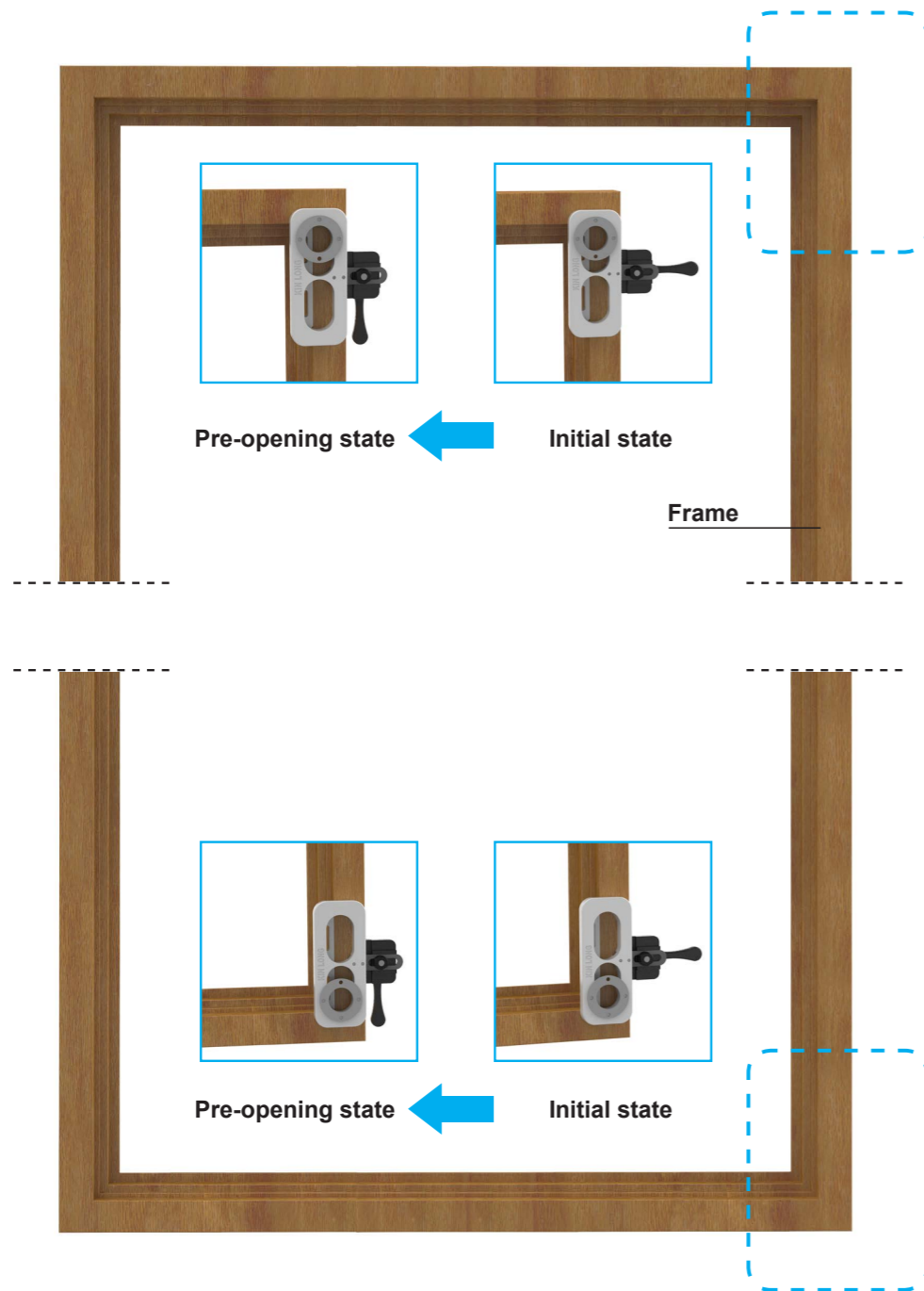
The product adopts the surface treatment of electroplated nickel alloy with high corrosion resistance. the experiment of neutral salt spray reached 1000h. diversified lock points, can be selected with conventional, anti-lever, rolling anti-lever type lock points, to meet the demands of more usage requirements.



High load bearing capacity

The load bearing capacity of the hinge can reach 150kg, and L type hinge seat is added transverse screws for connection. by bidirectional connection with frame profile, it can improve the connection strength between hardware and profile and ensure the performance of the whole window connection.

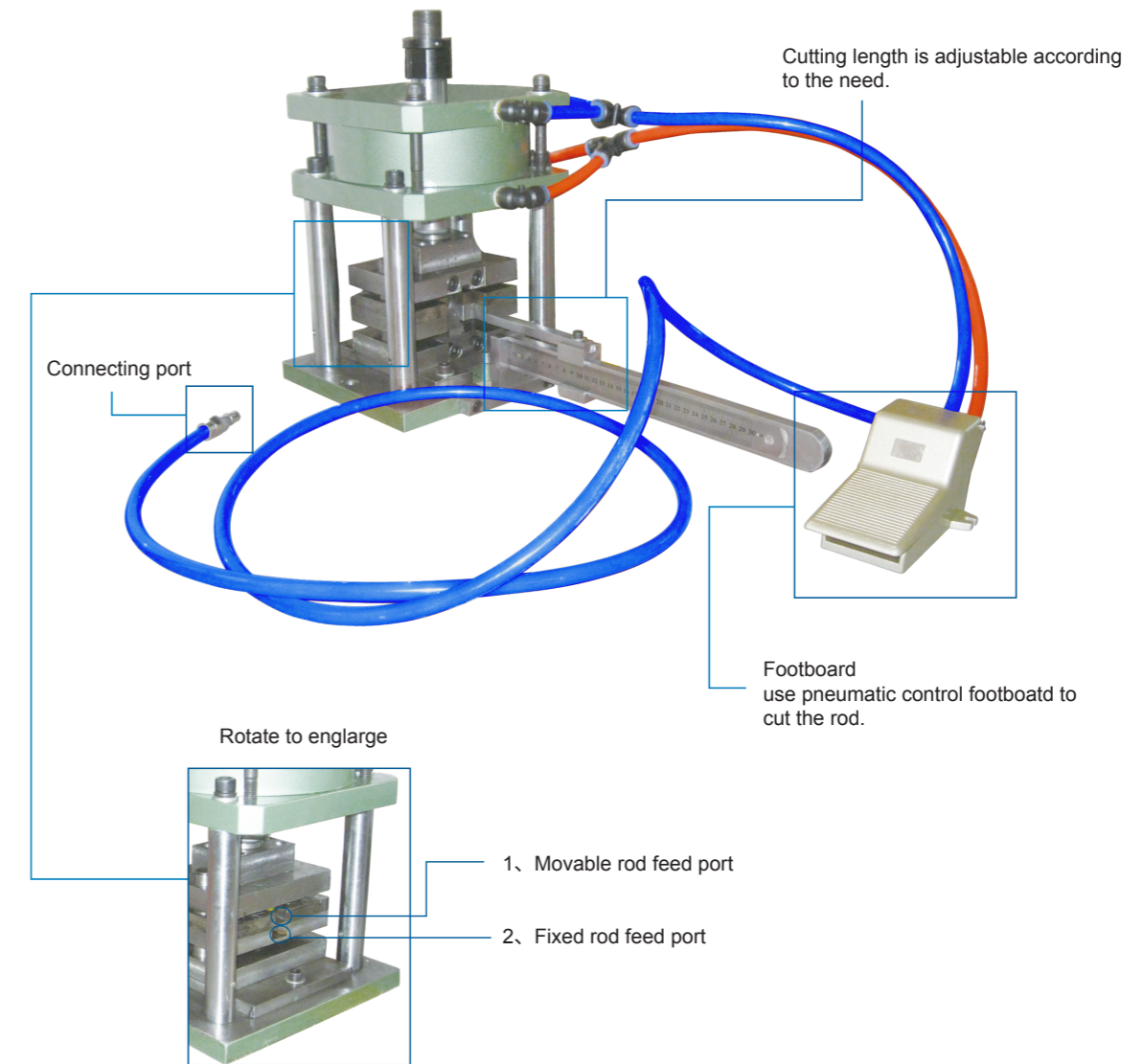
Wooden Window Duplicator



Name of the fitting	Series Code
Duplicator	WKMQ002
This duplicator is suitable for installing pivot hinge: NHYSNR(L)002, NHYXNR(L)0029/13, NHYZ0029/13	

The Cutting Mould

Cutting mould
PCDM001



Name of the fitting	Series Code
Duplicator	PCDM001
Used for cutting transmitter, connecting rod, linking rod material.	

Completed Projects

Sri Lanka	Private Beach Residence Villa At Mabola
Saudi Arabia	Almashriqiya Housing Project
Indonesia	TOD Pondok Cina Apartment
UAE	Akoya Xoygen Villas
UAE	Al Falah Town Center 899 Villas
UAE	Sheikh Housing 360 Villa
UAE	Nova Villas
UAE	Sheikh Zayed Housing Programme Ajman 280 Villa
UAE	MAF-Tial Al Ghaf Elan 916 Townhouses
India	Streeling Acentia
India	Streeling Villa Grande
India	Sumadhura Eden Garden
India	Sumadhura Aspire
India	Sumadhura Sushantam
India	Sumadhura Horizon
India	Godrej United
India	Spectra Raaya

Completed Projects

India	Vaswani-Equisite
India	Adarsh Palm Acres
India	African Avenue
India	Ats Homekrafts
India	Cpwd -Ddu Housing
India	Hero Homes
India	Conscient Hines
India	Joy Villa Homes
India	Aiims Jodhpur
India	M3M Urbana Premium
India	Dif Ultima
India	Strategic Royal Court
India	Bcc Ghaziabad
India	Ats Dolce
India	Mapsco Casabela
India	Cpwd-Ddu Housing